

Avanti

AVANTI PRODUCTS DIVISION OF THE MACKLE CO. INC.
MIAMI FLORIDA 33172

**USER'S GUIDE
REFRIGERATOR**

Record serial number and model number of this
appliance in space provided below

Serial Number

Model Number

1292 YWT



Retain these numbers for reference

Instructions for Use

Refrigerator - Freezer

Thank you for your trust and for buying this appliance. We hope it will successfully serve the purpose for many years.

Refrigerator with freezer is for domestic use only.

The lower part of the appliance is refrigerator and is used for storing fresh foods at the temperature of 32°F and higher.

The upper part is freezer and is used for freezing fresh foods and storing frozen foods for longer periods of time (up to one year, depending on the kind of foods you store). The compartment is marked with four stars.

Before Putting Into Use	4-5
Placing and Installation	6
Description of the Appliance	7-8
Operation Controls	8
Use	9-11
Changing the Direction of Opening the Door	12-13
Cleaning and Maintenance	14-15
Trouble-Shooting Guide	16-17

Before Putting Into Use



- Before connecting the appliance to the mains supply, leave it stand for about 2 hours, which will reduce a possibility of malfunctions in the cooling system due to transport handling.
- Clean the appliance, and be thorough, especially in the interior (See **Cleaning and Maintenance**).
- In case the interior accessories are not correctly placed, rearrange them as described in chapter "Description of the Appliance".

Instructions for Use

These instructions for use are intended for the user. They describe the appliance and its correct and safe use. They were prepared for various types of refrigerators therefore you might find in it description of some functions and accesories that your appliance does not include.

We Care for the Environment

- Our appliances are distributed in packaging made of environmental friendly material which could safely be recycled, disposed off or destroyed, with no effects on the nature whatsoever.
- These instructions are printed either on recycled paper or chlorine free bleached paper.
- When you find your appliance is out of use and no longer needed, try not to burden the environment with it. Call your nearest authorised "collecting service for used appliances".

Tips for Energy Savings

- Try not to open the door too often, especially when the weather is wet and hot. Once you open the door, mind to close it as soon as possible.
- Every now and then check if the appliance is sufficiently ventilated (adequate air circulation behind the appliance).
- Use higher thermostat settings only when required or recommended.
- Before loading the appliance with packages of fresh foods, make sure they are cooled to ambient temperature.
- Ice and frost layer increase energy consumption, so do clean the appliance as soon as the layer is 3-5 mm thick.

Important



- If you have bought this appliance to replace an old one equipped with a lock that cannot be opened from inside (lock, bolt), make sure that the lock is broken. This will make it impossible for children to lock themselves inside the appliance and suffocate.

- The appliance must be correctly connected to the mains supply. (see: Connecting to the Mains Supply).
- Do not touch the cooled surfaces while the appliance operates, especially not with wet hands, because the skin may stick to the cold surfaces.
- Do not freeze bottles containing liquid, especially not soft drinks, such as mineral water, sparkling wine, beer, cola etc., because liquid expands during freezing and the glass bottle is very likely to blow up.
- Do not eat frozen food (bread, fruit, vegetables), because you can get frostbites.
- If the food has strange smell or colour, throw it away, because it is very likely that it is spoiled and therefore dangerous to eat.
- Disconnect the appliance from the power supply before repairing it (only a qualified technician should repair it), before cleaning and before replacing the light bulb.
- Do not defrost the appliance with other electric devices (hair dryer etc.) and never scrape the ice or frost layer with sharp tools.
- Heating element incorporated in the appliance, all around the rim, is controlled by the operation of the compressor and it prevents the door gasket to freeze on to the freezer housing.
- The rating plate is inside the appliance or outside on the rear wall.

Storing Time During Power Supply Interruption

Do not open the freezer in case of failure or power supply interruption! In case the interruption is extended over longer period of time (16 hours), take food out of the freezer and use it, or make sure that is sufficiently cooled (perhaps you have an extra appliance).

Placing and Installation

Choosing the Right Place

Place the appliance in a dry and regularly ventilated room. The allowed ambient temperature depends on the model (class) of the appliance and is listed on the rating plate of the appliance.

Class	Ambient temperature
N (normal)	from 62°F to 90°F
ST (sub-tropical)	from 64°F to 100°F
T (tropical)	from 64°F to 120°F

The appliance may be exposed to higher temperatures (up to 24 hours) or lower temperatures (up to 12 hours), but not lower than +41°F.

In case the appliance is exposed to temperatures lower than 62°F, the operation of the refrigerator is normal, yet the temperature in the freezing compartment is raised which shortens the storage time of the frozen foods. Never place the appliance near heat emitting devices (e.g. stove, radiator, water heater or similar devices) and do not expose it to direct sunlight.

Placing the Appliance

- Place the appliance firmly on a solid base and if necessary level it with the two adjustable feet, located on the front (Fig.1).
- The appliance has two spacers that should be inserted into the opening on the rear wall of the appliance, which makes it impossible for the appliance to be pushed too close to the wall (Fig. 2).

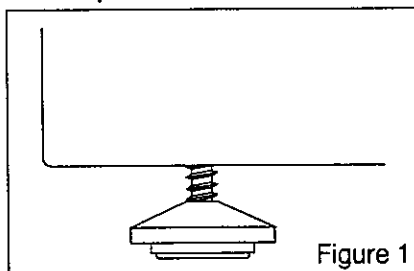


Figure 1

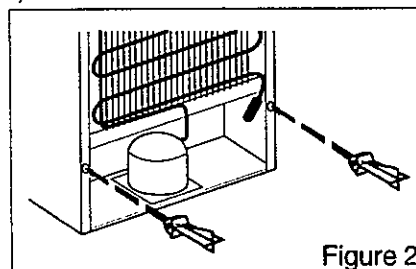


Figure 2

Connection to Power Supply

Connect the appliance with the cable and plug to the power supply socket outlet with a ground terminal (safety socket).

"DO NOT USE EXTENSION CORD"

Required nominal voltage and frequency are indicated on the rating plate. The connection to the power supply and grounding have to be made according to current standards and regulations. The appliance resists temporary voltage tolerance up to -15 to +10 %.

Description of the Appliance

Refrigerator (A)

Refrigerator is used for storing fresh foods for few days.

Freezer (B)

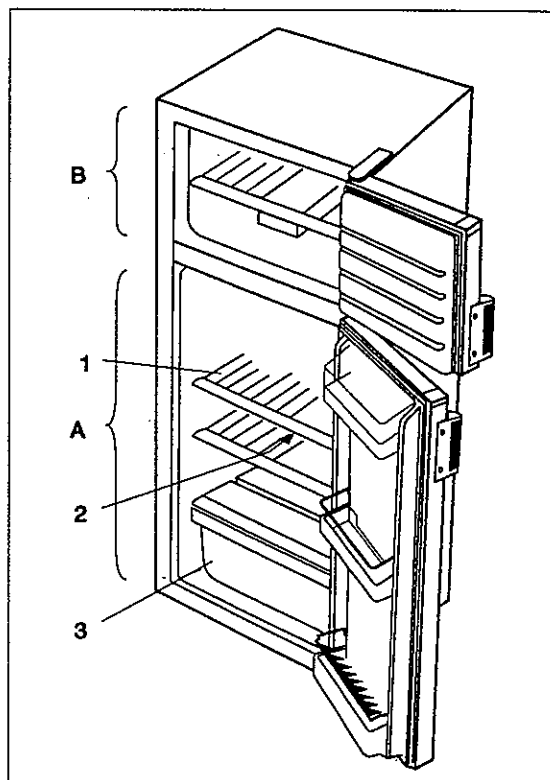
Freezer is used for freezing fresh foods and for storing already frozen foods.

Shelf (1)

(number depends on the model)

Shelf can be optionally placed on the guides inside the appliance. It is protected against pulling out. If you want to remove it, slightly lift up the back part and pull it out.

Quickly perishable food should be stored on the back i.e. the coldest part of the shelves.



Defrost Water Outlet (2)

The interior of the refrigerator is cooled with cooling plate incorporated in the rear wall. Under the plate there is a channel and an outlet for defrost water. Regularly check the defrost water outlet and the channel, because they should never be clogged (as for example with food rests). If clogged, use a plastic straw and clean it.

Fruit and Vegetable Container (3)

The container is on the bottom under the glass shelf and is used mainly for storing fruits and vegetables. It provides adequate humidity which has favourable effect on food stored (less dehydration).

Door Liner

The door liner consists of various shelves or holders used for storing eggs, cheese, butter and yogurt as well as other smaller packages, tubes, cans etc. The lower shelf is used for storing bottles.

Illumination in the Interior of the Refrigerator

The light for illuminating the interior of the appliance is on, when the door is opened. The operation of the light does not depend on the position of the thermostat knob.

NOTE:

- The appliance can be equipped with various accessories, depending on the model of the appliance.
- Various accessories (spice container, tube holder or additional shelves) can be bought in authorised centres.

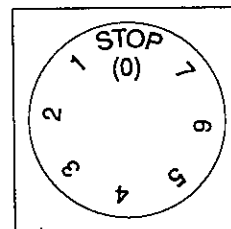
Operation Control

The appliance is controlled with thermostat knob, situated in the right upper part inside the refrigerator.

Turn the knob clockwise from **STOP (0)** position towards **7** and backwards.

Temperature Selection

- Higher settings on the knob (towards **7**) mean lower temperatures (colder) in all compartments of the appliance. Temperature in the interior of the appliance may even drop below 32°F. When the ambient temperature is normal, we recommend medium setting.
- Changes of the ambient temperature affect temperature in the interior of the appliance (choose correct setting of the thermostat knob).
- In **STOP (0)** position the appliance does not operate (the cooling system is switched off), yet power supply is not interrupted (the light is on, when you open the refrigerator door).



Use

Storing Fresh Foods

- Foods to be stored in the refrigerator should be properly packed as to prevent mixing various moisture degrees and odours (in polyethylene bags or sheet, aluminium foil, wax paper), or stored in covered containers or bottles.
- Never store inflammable, volatile or explosive substances.
- Beverages with high alcohol percentage shall be stored in tightly sealed bottles in vertical position.
- Food should not touch the rear wall of the refrigerator!
- Some organic solutions like volatile oils in lemon or orange peel, acid in butter etc. can cause damage and when in contact with plastic surfaces or gaskets for longer period of time they can cause accelerated ageing of the plastic material.
- Unpleasant odour inside the refrigerator is a sign that something is wrong with foods or that your refrigerator needs cleaning. Unpleasant odour can be eliminated or reduced by washing the interior of the refrigerator with a mild solution of water and vinegar.
We also recommend using activated carbon filters to clean the air or to neutralise odours.
- If you plan longer journey, make sure to remove quickly perishable articles of food out of the appliance before you leave.

Fresh Food Storage Time in the Refrigerator

Article of food	Storage time (days)													
	1	2	3	4	5	6	7	8	9	10	11	12	13	14
Butter	+	+	+	+	+	+	+	=	=	=	=	=		
Eggs	+	+	+	+	+	+	+	+	+	+	=	=	=	=
Meat: fresh uncut	+	+	=											
chopped	+	=												
smoked	+	+	+	+	+	+	+	+	+	+	=	=	=	=
Fish	+	=												
Marinade	+	+	+	+	+	+	+	+	+	+	=	=	=	=
Root	+	+	+	+	+	+	+	+	=	=	=	=	=	=
Cheese	+	+	+	+	=	=	=	=	=	=	=	=	=	=
Sweets	+	+	=	=	=	=								
Fruit	+	+	=	=	=	=	=	=	=	=				
Prepared dishes	+	+	=	=										

Legend: + recommended storage time
= possible storage time

Freezing Fresh Foods

- Carefully select food you intend to freeze; it should be of adequate quality and suitable for freezing.
- Use correct packaging and wrap it right.
 - The packaging should be air tight and shouldn't leak since this could cause substantial vitamin loss and dehydration of foods.
 - Foils and bags should be soft enough to tightly wrap around the foods.
- Mark packages with following data: kind and amount of foods and the date of loading.
- It is most important that the food is frozen as quickly as possible. Therefore we recommend the size of the package not to be too large and to be cooled before loading into the freezer.
- The amount of fresh foods that can be loaded in the freezer within 24 hours is indicated on the rating plate (freezing capacity).
If the loaded amount is too large, the quality of freezing is reduced which affects the quality of frozen foods.

Freezing Procedure

- 24 hours before loading the freezer with fresh foods to be frozen, set the thermostat to position 3-5. Put packages on the shelf and let them freeze. Some 24 hours after loading the packages of fresh foods, reset the thermostat, if necessary, to operating temperature. (See Temperature Selection) and reload the frozen packages to the bottom shelf.
- The next time you want to freeze fresh foods, repeat the freezing procedure and be careful that packages with fresh foods do not touch frozen packages.
- For freezing smaller amount of foods (up to 1 kg) there is no need to change the thermostat setting (see Temperature Selection).

Storing Frozen Foods

Frozen foods can be stored on the bottom of the appliance or on the shelf.

Commercially Frozen Foods

The storage time and the recommended temperature for storing commercially frozen foods are indicated on the packaging. For storing and using consider the manufacturer's instruction.

When shopping, be careful and choose only adequately packed foods provided with complete data and stored in freezers where the temperature is not higher than 0°F.

Do not buy packages of food covered with frost layer. This indicates that the package was thawed before at least once.

Be careful that packages don't start to thaw, as the temperature raise reduces the quality of foods.

Approximate Storage Time for Frozen Foods

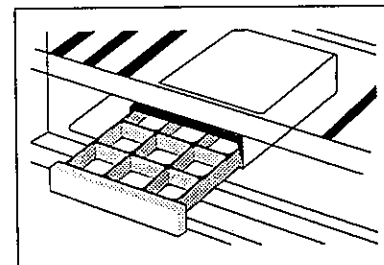
Food	Storage time (in months)											
	1	2	3	4	5	6	7	8	9	10	11	12
Vegetable								+	+	+		
Fruit										+	+	+
Braed, pastries			+									
Milk			+									
Ready-made meals			+									
Meat: Beef										+	+	+
Veal								+	+	+		
Pork				+	+	+						
Poultry								+	+	+		
Game						+	+	+				
Minced meat				+								
Smoked sausages	+											
Fish: lean			+									
fat	+											
Offal		+										

Defrosting Frozen Food

Partially thawed or defrosted foods should be used as soon as possible. Cold air preserves the food but it does not destroy microorganisms which rapidly activate after defrosting and make foods perishable. Partial defrosting reduces the nutritional value of foods, especially of fruits, vegetables and ready-made meals.

Ice Making

Recommended thermostat setting for ice making is position between 3 and 5. Fill the ice cube tray (two thirds of it) with cold water or with any liquid suitable for freezing and insert the tray into the tray holder situated on the grid (holder is detachable and can be placed to other locations).

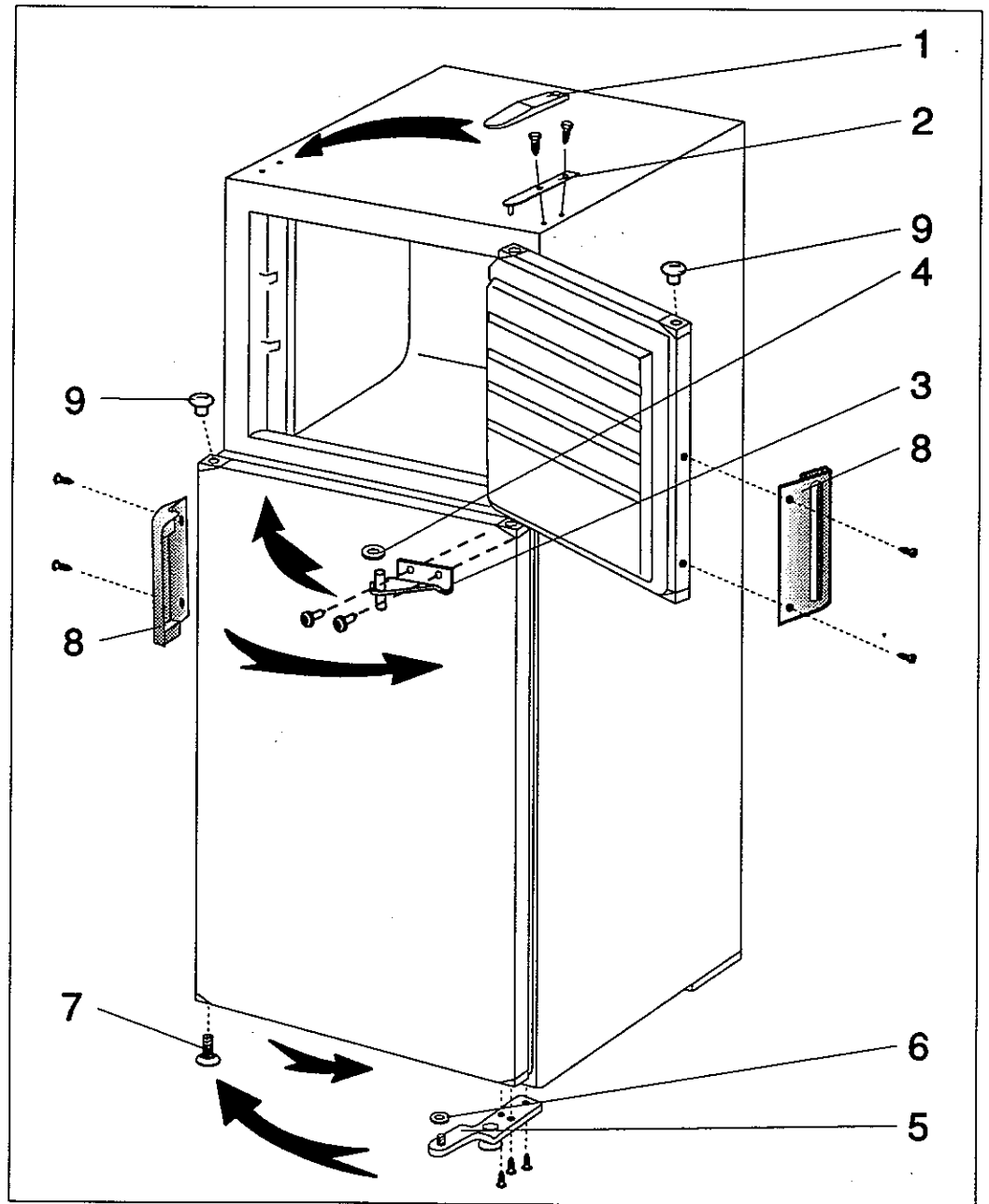


The best method to get ice cubes out of the tray is to hold the tray under cold tap water for a second, turn it around and slightly bend it.

Changing the Direction of Opening the Door

If you find the direction of opening the door on your appliance inconvenient, you can change it. Holes on the opposite side have already been prepared in the factory and are now plugged.

- Remove the cover on the upper hinge, unscrew the hinge and take off the freezer door (the door is not fixed on the middle hinge), don't forget to remove the washer from the middle hinge.
- Unscrew the lower hinge with foot and washer and remove the refrigerator door.
- Unscrew the middle hinge and the other foot.
- Fix the lower hinge with foot (and washer) to the opposite side and fix the other foot on the place where previously was the hinge.
- Remove the fastener of the door corner with the hole and replace it to the opposite side.
- Put the refrigerator door on the lower hinge.
- Rotate the middle hinge for 180°, replace it to the opposite side of the door and fix it.
Put on the washer first and then the upper door.
- Fix the upper hinge and cover it.
- Unscrew the handles and replace them to the opposite side (not for handles mounted horizontally).
Some screws are covered with caps. Take them off before undoing the screws.
- Plug the remaining holes with decorative caps.
- Check the gasket, it shouldn't be creased and it should seal well.



- 1 Cover for the upper hinge
- 2 Upper hinge
- 3 Middle hinge
- 4 Middle hinge washer
- 5 Lower hinge with foot

- 6 Lower hinge washer
- 7 Foot
- 8 Handle
- 9 Fastener of the corner with a hole

Maintenance and Cleaning

Automatic Defrosting of the Refrigerator

There is no need to defrost the refrigerator, because ice depositing on the inner back wall is defrosted automatically.

Ice is depositing on the inner back wall during the compressor operation; later on, when the compressor is not operating ice is defrosting and water drops collect and drain through the outlet in the inner back wall into the drain pan situated above the compressor, from where it evaporates.

Manual Defrosting of the Freezer

When the frost and ice layer in the freezer is 1/8" thick, you should clean the freezer.

- Few hours before defrosting set the thermostat to position **7**, so that packages are well frozen. Reset the thermostat to **STOP (0)** position and disconnect the power supply. Empty the freezer and take care that the packages remain frozen.
- Leave the door open for a while so that you can easily scrape off the frost. Use the plastic scraper but be careful not to damage the inner surfaces of the freezer.

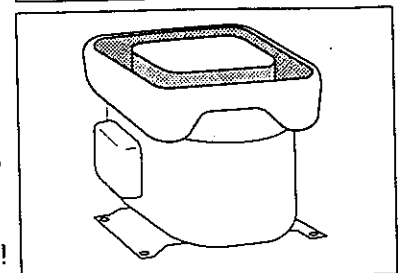
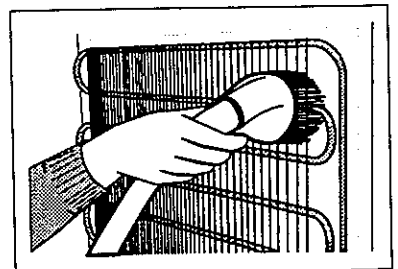
Wipe up the scraped frost and ice before it is completely defrosted.

Cleaning the Appliance

Disconnect the power supply before cleaning the appliance.

Do not use coarse or aggressive cleaning agents as you can damage the surface.

- Clean the **exterior** with water and detergent.
- Remove the **detachable accessories** in the interior of the appliance and clean it with water and liquid detergent. Plastic parts cannot be washed in washing machine.
- Wash the **interior** of the appliance with lukewarm water, in which you added one or two spoonfuls of vinegar.
- Every now and then wipe the **condenser** on the rear wall. Use soft non-metal brush or vacuum cleaner.
- Clean the **drain pan** on the refrigerator compressor. Do not remove the drain pan!



After cleaning, connect the appliance to power supply and reload the packages.

Switch Off the Appliance When Not In Use

If you do not intend to use the appliance for a longer period, set the thermostat knob to the **STOP (0)** position, disconnect the power supply, take out the foods and defrost and clean the appliance. Leave the door slightly open.

Trouble-Shooting Guide



During the service, you can come across some troubles that in most cases result from improper handling of the appliance and can easily be eliminated.

The Appliance Fails to Operate After connecting to the Mains Supply

- Check the supply in the outlet socket and make sure the appliance is switched on (thermostat in operating position).

Continuous Operation of the Refrigerating System

- The door was frequently opened or it was left opened for too long.
- The door is not properly closed (the door may sag, the gasket may be polluted or damaged).
- Perhaps you have overloaded the appliance with fresh foods.
- The reason may be inadequate ventilation of the compressor and condenser (assure adequate air circulation and wipe off the condenser).

Ice Formation on the Inner Rear Wall

As long as the defrost water runs to the channel and through the opening to the drain pan on the compressor, automatic defrosting of the appliance is assured.

In case the ice formation on the inner back wall is increased (3-5 mm), ice should be manually defrosted.

Set the thermostat knob to **STOP (0)** position and leave the door open.

Never use electric devices for defrosting and do not scrape the ice or frost layer with sharp objects.

After completed defrosting, turn the knob to desired position and close the refrigerator door.

The cause of increased ice formation may be one of the following:

- the door does not seal well (clean the gasket if it is contaminated, or replace it if it is damaged);
- the door was frequently opened or it was left opened for too long;
- the food stored in the refrigerator was warm;
- the food or dish is touching the inner back wall.

Water is Leaking From the Refrigerator

In case the discharge water outlet is clogged, or the defrost water drips over the channel, water leaks from the refrigerator.

- Clean the clogged opening, for example with a plastic straw.
- Manually defrost the increased ice layer. See "Ice Formation on the Inner Back Wall".

The Freezer Door is Hard to Open

If you want to open the door that has just or recently been closed, you may find it hard to open. The reason why this happens is, that when you open the door, warm air gets into the appliance and when it is getting cool, the underpressure seals the door. After few minutes (5-10), the door can easily be opened.

Noise

Cooling in refrigerating-freezing appliances is enabled by the refrigerating system with compressor, which produces noise. How noisy the appliance is depends on where it is placed, how it is used and how old the appliance is.

- **During the operation** of the compressor the noise of liquid is heard and when the compressor is not operating, the refrigerant flow is heard. This is a normal condition and it has no influence whatsoever on the lifetime of the appliance.
- **After starting the appliance**, the operation of the compressor and the refrigerant flow may be louder, which does not mean that something is wrong with the appliance and it has no influence on the lifetime of the appliance. Gradually the noise is reduced.
- Sometimes **unusual and stronger noise** is heard, which is rather unusual for the appliance. This noise is often a consequence of inadequate placing.
 - The appliance shall be placed and levelled firmly on solid base.
 - It should not touch the wall or kitchen units standing next to it.
 - Check the accessories in the interior of the appliance, they should be placed correctly in their positions; also check the bottles, tins and other vessels that might touch each other and rattle.

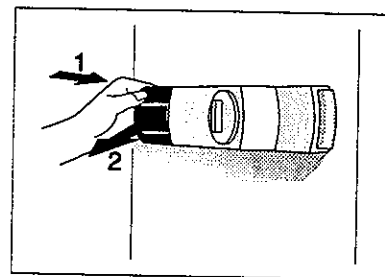
Bulb Replacement

Before replacing the light bulb, disconnect the appliance from the power supply.

Press the cover at the rear side (in the arrow 1 direction) and remove the plastic cover (in the arrow 2 direction). Replace the bulb with a new one (E14, max. 10 W).

Don't forget: the old bulb does not belong to organic waste.

Light bulb is consuming good therefore our in-guarantee service does not relate to it.



WE RESERVE THE RIGHT TO ALTER THE SPECIFICATIONS WITH NO INFLUENCE ON THE OPERATION OF THE APPLIANCE.

REFRIGERATOR AND FREEZER PRODUCT WARRANTY

FULL ONE YEAR WARRANTY

For the first year after purchase and use within the continental United States by the original consumer, Avanti Products will at its option, repair or replace any part of the AVANTI Refrigerator or Freezer which proves to be defective in material or workmanship under normal use. In commercial or rental application, the warranty period is ninety (90) days.

During this period, Avanti Products will provide all parts and labor necessary to correct such defects, free of charge, so long as the appliance has been installed and operated in accordance with the written instructions furnished with the appliance. The customer will be responsible for cost of service calls resulting from problems considered Normal Responsibilities of User (*see paragraph so entitled).

To obtain service on your Avanti Refrigerator or Freezer, refer to the Directory of Avanti Authorized Appliance Service Stations and call the closest company for inspection and repair of the appliance under the terms of this warranty.

All Avanti Appliances of 3.5 cubic foot capacity or less must be brought/sent to the appliance service shop for repair.

LIMITED SECOND THROUGH FIFTH YEAR COMPRESSOR WARRANTY

For the second through the fifth year of use, Avanti Products will make available a replacement compressor as may be required due to failure. In commercial or rental use this additional limited compressor warranty is one (1) year and nine months. Any and all labor charges for determination of cause of failure, installation of the replacement compressor and transportation/handling charges for shipment of the replacement compressor will be the responsibility of the user.

Cartage charges for moving the appliance to a service shop (as may be required) and back to the user's home will also be the user's responsibility.

EXCURSIONS

Avanti Products shall not be responsible for any content losses, incidental or consequential damages resulting from the failure of the product to conform to any express or implied warranty.

In addition, Avanti Products is not responsible for service calls which do not involve defects in material or workmanship or other external causes such as abuse, misuse, inadequate power supply or Acts of God.

Therefore, cost of replacement or repair of the following items, parts or labor will not be considered warranty repairs:

1. Evaporator doors
2. Evaporator door springs/or frames
3. Inner door panels (includes plastic door shelves) and chest freezer lid liners
4. Door shelf rails and/or supports
5. Vegetable crisper
6. Vegetable crisper covers (glass or plastic)
7. Light bulbs and/or plastic housings

**CONSUMER INFORMATION SERVICE:
IF YOU NEED ASSISTANCE, CALL TOLL FREE FROM ANYWHERE IN
THE UNITED STATES (800) 220-5570**

