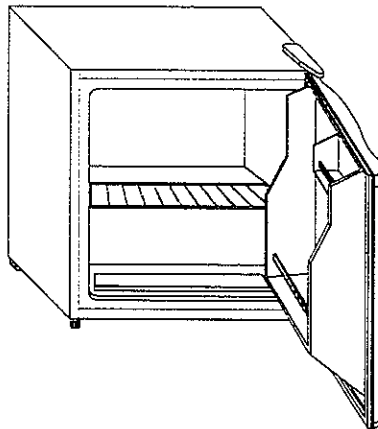




INSTRUCTION MANUAL

Model Number:
19SYW



CAUTION:

BEFORE USE, PLEASE READ AND FOLLOW ALL SAFETY RULES AND OPERATING INSTRUCTIONS.

Avanti has a policy of continuous improvement on its products and reserves the right to change materials and specifications without notice.

Avanti Products
P.O. Box 520604 - Miami, Florida 33152
www.avantiproductions.com

HELP US HELP YOU...

Read this guide carefully.

It is intended to help you operate and maintain your new refrigerator properly.

Keep it handy to answer your questions. If you don't understand something or you need more help, please call:

**Avanti Customer Service
800-220-5570**

Keep proof of original purchase date (such as your sales slip) with this guide to establish the warranty period.

CAUTION:

THIS REFRIGERATOR IS NOT DESIGNED FOR THE STORAGE OF MEDICINE OR OTHER MEDICAL PRODUCTS.

Write down the model and serial numbers.

You'll find them on a label located on the back side of the unit.

Please write these numbers here:

Date of Purchase

Model Number

Serial Number

Use these numbers in any correspondence or service calls concerning your refrigerator.

If you received a damaged refrigerator, immediately contact the dealer (or builder) that sold you the refrigerator.

Save time and money. Before you call for service, check the Problem Solver Guide. It lists causes of minor operating problems that you can correct yourself.

IF YOU NEED SERVICE

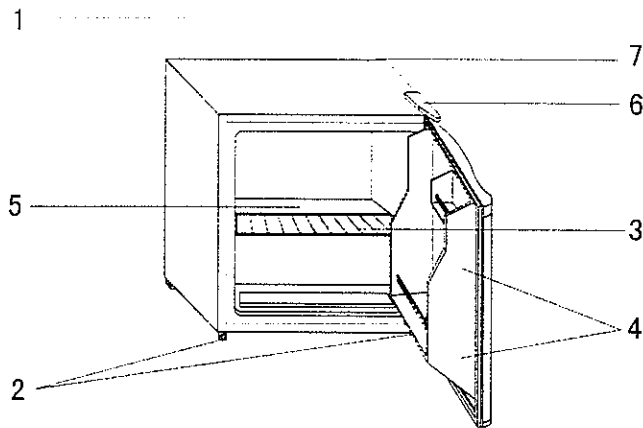
We're proud of our service and want you to be pleased. If for some reason you are not happy with the service you receive, here are some steps to follow for further help.

FIRST, contact the people who serviced your appliance. Explain why you are not pleased. In most cases, this will solve the problem.

NEXT, if you are still not pleased, write all the details, including your telephone number, and send to:

**Customer Service
Avanti Products
10880 NW 30 Street
Miami, FL 33172**

PARTS AND FEATURES



1. FLAT EVAPORATOR
EVAPORADOR PLANO
2. LEVELING LEGS
PATAS DE NIVELAR
3. REMOVABLE SHELF
ESTANTES REMOVIBLE
4. BOTTLE RACKS
COMPARTIMIENTOS DE BOTELLAS
5. DRAINAGE HOLE
HUECO DE DRENAJE
6. REVERSIBLE DOOR
PUERTA REVERSIBLE
7. TEMPERATURE CONTROL KNOB
CONTROL DE TEMPERATURAS

Table of Contents

Warranty Information and Registration Card _____

Help Us Help You _____

Parts and Features _____

Important Safety Instructions _____

Installation Instructions _____

Before Using Your Refrigerator _____

Installation of Your Refrigerator _____

Reversing the Door Swing of Your Refrigerator _____

Operating Your Refrigerator _____

Temperature Control _____

Care and Maintenance _____

Cleaning Your Refrigerator _____

Maintenance of Your Refrigerator _____

Vacation Time _____

Moving Your Refrigerator _____

Troubleshooting Guide _____

Service For Your Refrigerator _____

Your Avanti Products Warranty _____

19SYW Parts Breakdown _____

19SYW Parts List _____

19SYW Wiring Diagram _____

Spanish Section _____

Important Safety Instructions

⚠WARNING	To reduce the risk of fire, electrical shock, or injury when using your appliance, follow these basic precautions:
<ul style="list-style-type: none">• Read all instructions before using the freezer.• DANGER or WARNING: Risk of child entrapment.• Child entrapment and suffocation are not problems of the past. Junked or abandoned freezers are still dangerous. . . even if they will "just sit in the garage a few days."• Before you throw away your old refrigerator or freezer: Take off the doors. Leave the shelves in place so that children may not easily climb inside.• Never allow children to operate, play with, or crawl inside the freezer.• Never clean freezer parts with flammable fluids. The fumes can create a fire hazard or explosion.• Do not store or use gasoline or any other flammable vapors and liquids in the vicinity of this or any other freezer. The fumes can create a fire hazard or explosion <p style="text-align: center;">-Save these instructions-</p>	

INSTALLATION INSTRUCTIONS

> **Before Using Your Refrigerator**

- Remove the exterior and interior packing.
- Check to be sure the following parts are included:
 - 1 Removable shelf
 - Instruction manual
- Before connecting the appliance to the power source, let it stand upright for approximately 2 hours. This will reduce the possibility of a malfunction in the cooling system from handling during transportation.
- Clean the interior surface with lukewarm water using a soft cloth.

> **Installation of Your Refrigerator**

- Place your appliance on a floor that is strong enough to support the appliance when it is fully loaded. To level your appliance, adjust the legs at the front of the appliance.
- Allow 5 inches of space between the back and sides of the appliance, which allows the proper air circulation to cool the compressor.
- Locate the appliance away from direct sunlight and sources of heat (stove, heater, radiator, etc.). Direct sunlight may affect the acrylic coating and heat sources may increase electrical consumption. Extreme cold ambient temperatures may also cause the appliance not to perform properly.
- Avoid locating the appliance in moist areas. Too much moisture in the air will cause frost to form quickly on the evaporator.
- Plug the appliance into an exclusive properly installed-grounded wall outlet. Do not under any circumstances cut or remove the third (ground) prong from the power cord. Any questions concerning power and or grounding should be directed toward a certified electrician or an authorized Avanti Products service center.

Warning

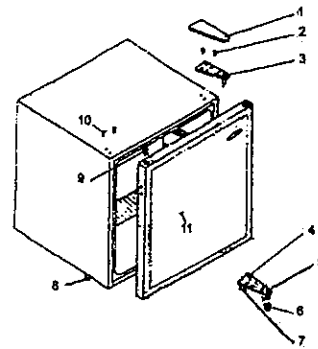
Improper use of the grounded plug can result in the risk of electrical shock. If the power cord is damaged, have it replaced by an authorized Avanti Products service center.

Reversing the Door Swing of Your Refrigerator

This refrigerator has the capability of either opening the door from the left or right side. The unit is delivered to you with the door opening from the left side. Should you desire to reverse the opening direction, please follow these instructions.

NOTE:

All parts removed must be saved to do the reinstallation of the door.



Removal of the Refrigerator Door

- Remove the upper hinge cap (1).
- Using a sharp object, pry out the two plug buttons (10).
- Remove the two Phillips screws (2) that connect the upper hinge (3) on the right side of the cabinet top.
- Carefully lift the door, placing it on a padded surface to avoid scratching.
- Remove the plug (9) and transfer it to the uncovered hole at the right side. Be sure to press the button firmly into the hole.
- Remove the two bolts (7) that hold the lower hinge (4) on the right side.
- Remove the adjustable leveling leg (8) and transfer it to the right side.
- Reattach the lower hinge (4) on the left side by attaching the adjustable leveling leg (8) and two bolts (7).

Reversal and Installation of Refrigerator Door

- Set the refrigerator door in its new position, making sure the hinge pin enters the bushing at the bottom of the cabinet.
- While holding the door in the closed position, loosely secure the upper hinge using the two Phillips screws. Be sure the pin enters the bushing at the upper and lower frame section (holes).
- Before tightening the screws, be sure the top of the door is level with the cabinet top.
- Replace the upper hinge cover (1).
- Replace the two plug buttons (10) in the holes now on the top right corner of the unit.

NOTE:

Before tightening these screws, make sure the top of the door is level with the top of the cabinet.

OPERATING YOUR REFRIGERATOR

✓ Temperature Control

- The temperature control is located on the rear of the cabinet.
- The first time you turn the unit on, set the temperature control to "MAX" position.
- The settings of the temperature control are "OFF", "MIN", "NORMAL" and "MAX". After 20 minutes, adjust the temperature control setting to "NORMAL". The setting of "NORMAL" should be correct for home or office refrigerator use.
- To turn the refrigerator off, turn the temperature control to "OFF".

NOTE:

- Turning the temperature control to "OFF" position stops the cooling cycle, but does not shut off the power to the refrigerator.
- If the unit is unplugged, power lost, or turned off, you must wait 3 to 5 minutes before restarting the unit. If you attempt to restart before this time delay, the refrigerator will not start.

CARE AND MAINTENANCE

✓ Cleaning Your Refrigerator

- Turn the temperature control to "OFF", unplug the refrigerator, and remove the contents.
- Wash the inside with a warm water and baking soda solution. The solution should be about 2 tablespoons of baking soda to a quart of water.
- Wash the shelves and/or trays with a mild detergent solution.
- The outside of the refrigerator should be cleaned with mild detergent and warm water.
- Dry the water collection tray located above the compressor in the back of the unit. Once dry, place it back to its original position.

✓ Maintenance of Your Refrigerator

• Power Failure

Most power failures are corrected within a few hours and should not affect the temperature of your refrigerator if you minimize the number of times the door is opened. If the power is going to be off for a longer period of time, you need to take the proper steps to protect your contents.

✓ Vacation Time

During long absences, remove all the contents; unplug your refrigerator, clean your refrigerator, and leave the door open slightly to avoid possible formation of condensation, mold, or odors.

✓ Moving Your Refrigerator

- Remove all the contents.
- Securely tape down all loose items inside your refrigerator.
- Turn the leveling screws up to the base to avoid damage.
- Tape the doors shut.
- Be sure the refrigerator stays in the upright position during transportation.

PROBLEMS WITH YOUR REFRIGERATOR?

You can solve many common refrigerator problems easily, saving you the cost of a possible service call. Try the suggestions below to see if you can solve the problem before calling the servicer.

TROUBLESHOOTING GUIDE

PROBLEM	POSSIBLE CAUSE
Refrigerator does not operate.	Not plugged in. The circuit breaker tripped or blown fuse. The refrigerator temperature control is set at "OFF"
Refrigerator is not cold enough.	Check to be sure the temperature control setting is at "NORMAL". External environment may require a higher setting. The door is opened too often. The door is not closed completely. The door gasket does not seal properly. The refrigerator does not have the correct clearances.
Compressor turns on and off frequently.	The room temperature is hotter than normal. A large amount of contents has been added to the refrigerator. The door is opened too often. The door is not closed completely. The temperature control is not set correctly. The door gasket does not seal properly. The refrigerator does not have the correct clearances.
Vibrations.	Check to assure that the refrigerator is level.
The refrigerator seems to make too much noise.	The rattling noise may come from the flow of the refrigerant, which is normal. As each cycle ends, you may hear gurgling sounds caused by the flow of refrigerant in your refrigerator. Contraction and expansion of the inside walls may cause popping and crackling noises. The refrigerator is not level.
The door will not close properly.	The refrigerator is not level. The door was reversed and not properly installed. The gasket is dirty. The shelves are out of position.

SERVICE FOR YOUR REFRIGERATOR

We are proud of our customer service organization and the network of professional service technicians that provide service on your Avanti appliances. With the purchase of your Avanti appliance, you can have the confidence that if you ever need additional information or assistance, the Avanti Products Customer Service team will be here for you. Just call us toll-free.

AVANTI PRODUCTS CUSTOMER SERVICES

Product information 800-323-5029	Whatever your questions are about our products, help is available.
Part Orders 800-220-5570	You may order parts and accessories that will be delivered directly to your home. You may order these items by personal check, money order, Master Card, or Visa.
In-Home Repair Service 800-220-5570	An Avanti Products authorized service center will provide expert repair service, scheduled at a time that is convenient for you. Our trained servicers know your appliance inside and out.

YOUR Avanti Products WARRANTY

Staple your sales receipt here. Proof of original purchase date is needed to obtain service under warranty.

WHAT IS COVERED

LIMITED ONE-YEAR WARRANTY

For one year from the date of purchase by the original owner, Avanti Products will, at its option, repair or replace any part of the appliance which proves to be defective in material or workmanship under normal use. During this period Avanti Products will provide all parts and labor necessary to correct such defects free of charge, so long as the appliance has been installed and operated in accordance with the written instructions in this manual. In rental or commercial use, the warranty period is 90 days. All Avanti Appliances of 3.5 cubic foot capacity or less must be brought/sent to the appliance service shop for repair.

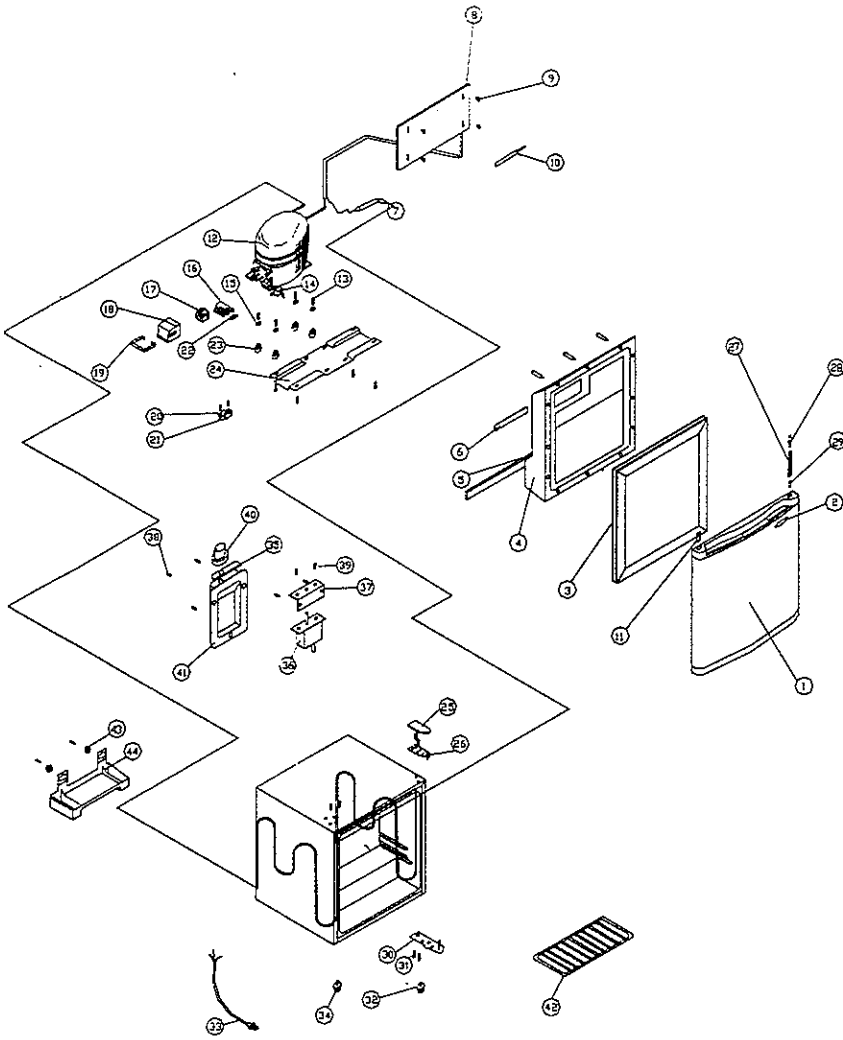
LIMITED SECOND THROUGH FIFTH YEAR WARRANTY

For the second through the fifth year from date of original purchase, Avanti Products will provide a replacement compressor free of charge due to a failure. You are responsible for the service labor and freight charges. In rental or commercial use, the limited compressor warranty is one year and nine months. Cost to move the appliance to the servicers' shop and back to the user's home, as may be required, are the user's responsibility.

WHAT IS NOT COVERED

- Losses of contents, including but not limited to losses of food or other, due to spoilage.
- Incidental or consequential damages.
- Parts and labor costs for the following will not be considered as warranty:
 - Evaporator doors, door springs, and/or frames.
 - Inner door panels, door shelves, door rails, and/or door supports.
 - Chest freezer lid liners.
 - Vegetable crispers.
 - Light bulbs and/or plastic housing.
 - Plastic cabinet liners.
 - Punctured evaporator that voids the warranty on the complete sealed system.
- Repairs performed by unauthorized servicers.
- Service calls that do not involve defects in material or workmanship such as customer education, door reversal, or proper installation.
- Service calls that are related to external problems, such as abuse, misuse, inadequate electrical power, accidents, fire, floods, or acts of God.
- Replacement of house fuses or resetting circuit breakers.
- Failure of the product if it is used for other than its intended purpose.
- This warranty does not apply outside the continental U.S.A..

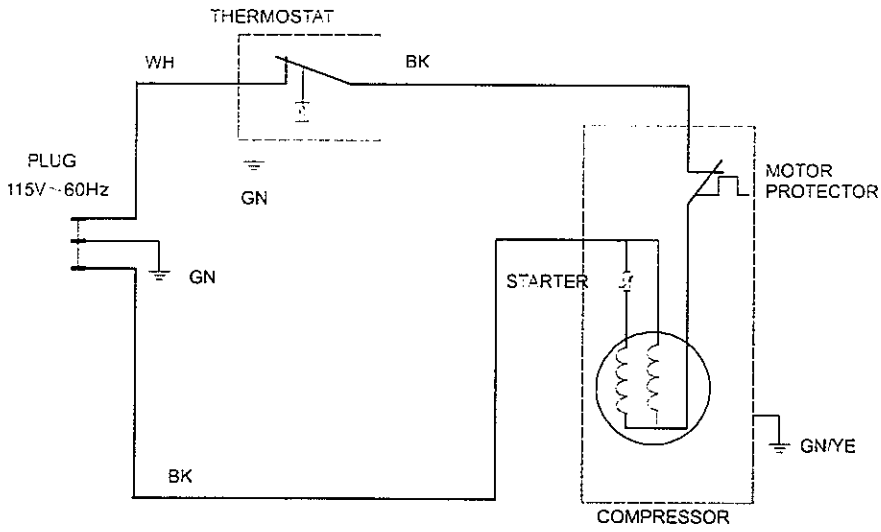
19SYW PARTS BREAKDOWN



19SYW PARTS LIST

ITEM #	DESCRIPTION	ITEM #	DESCRIPTION
1	Door	29	Adjustable Casement
2	Door Decal	30	Lower Door Hinge
3	Door Gasket	31	Door Hinge Bolt
4	Door Liner	32	Adjustable Foot
5	Lower Door Shelf Bar	33	Power Supply Cord
6	Upper Door Shelf Bar	34	Foot
7	Dryer	35	Control Panel
8	Evaporator Assembly	36	Thermostat
9	Mount Washer	37	Thermostat Supporter
10	Thermostat Bulb Clamp	38	Screw
11	Axis Cover	39	Screw
12	Compressor	40	Control Knob
13	Compressor Bolt	41	Thermostat Box
14	Compressor Earth Plate	42	Shelf
15	Compressor Bolt Washer	43	Clamping Washer
16	Compressor Cord Clamp A	44	Drip Tray
17	PTC Relay		
18	Relay Cover		
19	Relay Cover Retainer		
20	Power Supply Wire Upper Clamp		
21	Power Supply Wire lower Clamp		
22	Compressor Cord Clamp B		
23	Rubber Grommet		
24	Compressor Base		
25	Door Hinge Cover		
26	Upper Door Hinge		
27	Spring		
28	Door Upper Axis		

19SYW WIRING DIAGRAM



ANTES DE INSTALAR SU REFRIGERADOR:

- Verifique si el refrigerador no sufrió daños durante el transporte.
- Instale su refrigerador sobre un piso que soporte su peso y que sea adecuado para su tamaño y su uso. También que esté nivelado.
- Deje un espacio de tres (3) pulgadas en los lados y en la parte trasera y por lo menos unas pulgadas en el tope del refrigerador para la circulación del aire.
- Limpie los lados internos y externos del refrigerador con jabón neutro y agua tibia, para eliminar el olor característico de aparato nuevo. No use abrasivos.
- Asegúrese que el refrigerador sea descargado en tierra correctamente. Su producto posee enchufe metálico para descarga en tierra. El enchufe debe ser conectado al tomacorriente instalado y aterrado apropiadamente.
- Que no esté cerca de un horno, calentador u otra fuente de calor.
- Evite instalarlo en lugares húmedos.

IMPORTANTE:

No conecte el refrigerador a cables de extensión, no haga enmiendas ni conecte otros aparatos en el mismo tomacorrientes.

> CONTROL DE TEMPERATURAS

El control de temperaturas está localizado en la parte posterior del refrigerador. Cuando conecte su refrigerador por la primera vez se recomienda que el botón del control se coloque en la posición MAX. Deje el refrigerador trabajar por 20 minutos, el motor deberá trabajar silenciosamente con un suave zumbido. La perilla de control se puede graduar desde la posición más calurosa MIN hasta la más fría MAX.

Después de un día o dos usted decidirá si el control está graduado correctamente. En la posición "OFF" el motor parará.

> CUIDADOS EN LOS PERIODOS DE AUSENCIA

- Para cortos periodos de ausencia (menos de 7 días) el refrigerador podrá quedar funcionando. Coloque el botón de control de temperaturas en la posición mínima.
- En periodos de ausencia más largos, se aconseja dejar el refrigerador limpio y desconectado.
- Retire todo lo que tenga adentro del refrigerador y haga la limpieza general.
- Deje la puerta entreabierta para que penetre el aire y evitar la formación de olores.

> ECONOMIA DE ENERGIA

- Evite dejar por mucho tiempo la puerta abierta.
- Evite aperturas frecuentes de la puerta.
- Nunca coloque alimentos calientes dentro del refrigerador. Espere que estén a una temperatura ambiental.
- Coloque el botón de control de temperaturas en la posición adecuada.

➤ **SI USTED SE VA DE VACACIONES**

Saque todos los artículos dentro del refrigerador si Ud. Si va de vacaciones por un mes o más. Desconecte el refrigerador del tomacorriente y limpie el refrigerador bien. Deje la puerta abierta para evitar la formación de olores, condensación o moho.

➤ **SI USTED SE MUDA**

- Desconecte el refrigerador del tomacorriente y limpie el refrigerador bien.
- Saque todas las partes móviles y empáquelas para que no se muevan durante la transportación.
- Cierre la puerta del refrigerador y séllela con cinta adhesiva. Para evitar que los tornillos de nivel se averíen, gírelos completamente hacia la base.
- Asegúrese que el refrigerador va parado durante el viaje y cúbralo con una frazada.

➤ **REVERSION DE LA PUERTA**

1. Usando un objeto puntiagudo, levante con cuidado los tres tapones plásticos. Levante la capa plástica que cubre la bisagra. Suelte los tornillos que conecta la bisagra a la parte superior derecha del refrigerador. Invierta las posiciones.
2. Retire la puerta, levántela despacio y colóquela en una superficie suave para que no se dañe.
3. Después de encajar la puerta en su nueva posición coloque la bisagra y su capa plástica en el lado izquierdo superior del refrigerador.
4. Aguantando la puerta en la posición cerrada, apriete suavemente los tornillos que aguantan la bisagra superior. Antes de atornillarlos fuertemente, esté seguro que la puerta está nivelada con la parte superior de refrigerador.
5. No se olvide de colocar los tapones plásticos en los 3 huecos que quedan en la parte superior derecha del refrigerador.

IRREGULARIDADES CON EL FUNCIONAMIENTO DEL REFRIGERADOR

PROBLEMA	CAUSAS PROBABLES	SOLUCION
El refrigerador no funciona.	<ul style="list-style-type: none"> • Falta de energía • Tomacorrientes defectuoso • Control de temperaturas en la posición "OFF" • Enchufe desconectado 	<ul style="list-style-type: none"> • Verifique el fusible • Sustitúyalo o arréglole • Coloque el botón en la posición correcta • Conéctelo
La refrigeración es insuficiente	<ul style="list-style-type: none"> • Botón de control de temperatura en la posición incorrecta. • Elevada frecuencia de apertura de la puerta 	<ul style="list-style-type: none"> • Observe las instrucciones • Evite abrir la puerta demasiado
Ruidos anormales	<ul style="list-style-type: none"> • Expansión del gas en el evaporador • Tubos en contacto con gabinetes o paredes 	<ul style="list-style-type: none"> • Normal • Aléjelos

PRINTED IN CHINA