



**INSTRUCTION MANUAL
MANUAL DE INSTRUCCIONES**

Model Numbers:

248 YW/YB/YC

18 CYW/CYC/CYB

CAUTION:

**BEFORE USE, PLEASE READ AND FOLLOW ALL
SAFETY RULES AND OPERATING INSTRUCTIONS.**

Avanti has a policy of continuous improvement on its products and reserves the right to change materials and specifications without notice.

Avanti Products, A Division of The Mackie Co., Inc.

P.O. Box 520604-Miami, Florida 33152

WWW.avantiproductions.com

HELP US HELP YOU...

Read this guide carefully.

This guide is intended to help you operate and maintain your new appliance properly.

Keep it handy to answer your questions. If you don't understand something or you need more help, please call:

Avanti Customer Service
800-220-5570

Keep proof of original purchase date (such as your sales slip) with this guide to establish the warranty period.

CAUTION:

THIS APPLIANCE IS NOT DESIGNED FOR THE STORAGE OF MEDICINE OR OTHER MEDICAL PRODUCTS.

Write down the model and serial numbers.

You'll find them on a plate located on the back outside wall of the appliance.

Please write these numbers here:

Date of Purchase

Model Number

Serial Number

Use these numbers in any correspondence or service calls concerning your appliance.

If you received a damaged appliance, immediately contact the dealer (or builder) that sold you the appliance.

Save time and money. Before you call for service, check the Troubleshooting Guide. It lists causes of minor operating problems that you can correct yourself.

IF YOU NEED SERVICE

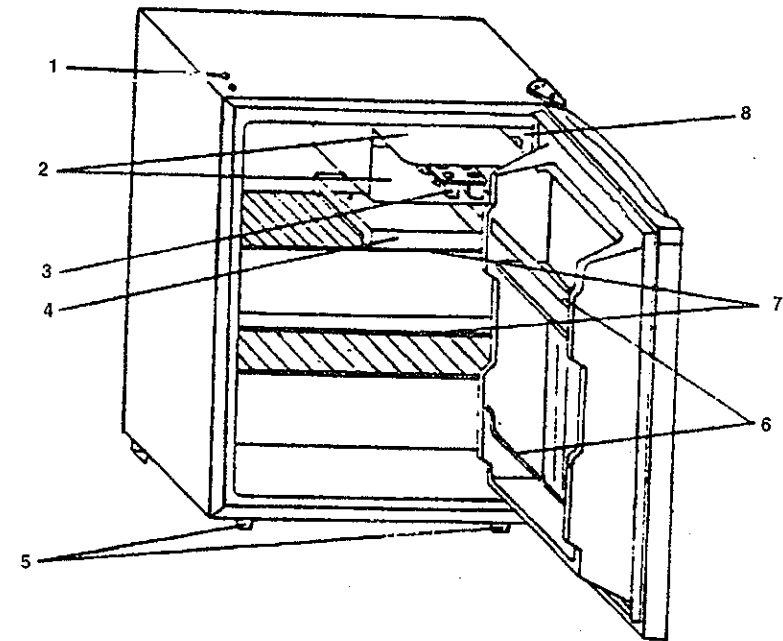
We're proud of our service and want you to be pleased. If for some reason you are not happy with the service you receive, here are some steps to follow for further help.

FIRST, contact the people who serviced your appliance. Explain why you are not pleased. In most cases, this will solve the problem.

NEXT, if you are still not pleased, write all the details, including your telephone number, and send to:

Customer Service
Avanti Products
10880 NW 30 Street
Miami, FL 33172

PARTS AND FEATURES



1. Reversible Door Slot
2. Freezer Compartment
3. Ice Cube Tray
4. Water Collection Tray
5. Leveling Legs
6. Bottle Racks
7. Removable Shelves
8. Temperature Control Knob

Table of Contents

Warranty Information and Registration Card	2
Help Us Help You	3
Parts and Features	4
Important Safety Instructions	6
Installation Instructions	6
Before Using Your Appliance	6
Installation of Your Appliance	6
Electrical Connection	7
Reversing the Door Swing of Your Appliance	7
Operating Your Appliance	8
Temperature Control	8
Defrosting Your Appliance	8
Using Your Ice Cube Trays	9
The Freezer Compartment	9
Care and Maintenance	9
Cleaning Your Appliance	9
Maintenance of Your Appliance	9
Vacation Time	10
Moving Your Appliance	10
Energy Saving Tips	10
Troubleshooting Guide	11
Service For Your Appliance	12
Your Avanti Products Warranty	13
Parts Breakdown	14
Parts List	15
Wiring Diagram	16

Important Safety Instructions



To reduce the risk of fire, electrical shock, or injury when using your appliance, follow these basic precautions:

- Read all instructions before using the appliance.
- **DANGER or WARNING:** Risk of child entrapment.
- Child entrapment and suffocation are not problems of the past. Junked or abandoned appliances are still dangerous. . . even if they will "just sit in the garage a few days."
- **Before you throw away your old refrigerator or freezer:** Take off the doors. Leave the shelves in place so that children may not easily climb inside.
- Never allow children to operate, play with, or crawl inside the appliance.
- Never clean appliance parts with flammable fluids. The fumes can create a fire hazard or explosion.
- Do not store or use gasoline or any other flammable vapors and liquids in the vicinity of this or any other appliance. The fumes can create a fire hazard or explosion.

-Save these instructions-

INSTALLATION INSTRUCTIONS

➤ Before Using Your Appliance

- Remove the exterior and interior packing.
- Check to be sure you have all of the following parts:
 - Water Collection Tray
 - Ice Cube Container
 - Instruction Manual

- Before connecting the appliance to the power source, let it stand upright for approximately 2 hours. This will reduce the possibility of a malfunction in the cooling system from handling during transportation.

- Clean the interior surface with lukewarm water using a soft cloth.

➤ Installation of Your Appliance

- Place your appliance on a floor that is strong enough to support the appliance when it is fully loaded. To level your appliance, adjust the legs at the front of the appliance.
- Allow 5 inches of space between the back and sides of the appliance, which allows the proper air circulation to cool the compressor.
- Locate the appliance away from direct sunlight and sources of heat (stove, heater, radiator, etc.). Direct sunlight may affect the acrylic coating and heat sources may increase electrical consumption. Extreme cold ambient temperatures may also cause the appliance not to perform properly.
- Avoid locating the appliance in moist areas. Too much moisture in the air will cause frost to form quickly on the evaporator requiring more frequent defrosting of the appliance.
- Plug the appliance into an exclusive properly installed-grounded wall outlet. Do not under any circumstances cut or remove the third (ground) prong from the power cord. Any questions concerning power and or grounding should be directed toward a certified electrician or an authorized Avanti Products service center.

> Electrical Connection

Warning

Improper use of the grounded plug can result in the risk of electrical shock. If the power cord is damaged, have it replaced by an authorized Avanti Products service center.

This appliance should be properly grounded for your safety. The power cord of this appliance is equipped with a three-prong plug which mates with standard three prong wall outlets to minimize the possibility of electrical shock.

Do not under any circumstances cut or remove the third ground prong from the power cord supplied.

Use of extension cords is not recommended.

This appliance requires a standard 115/120 volt, 60Hz electrical outlet with three-prong ground. The cord should be secured behind the appliance and not left exposed or dangling to prevent accidental injury.

> Reversing the Door Swing of Your Appliance

This appliance has the capability of either opening the door from the left or right side. The unit is delivered to you with the door opening from the left side. Should you desire to reverse the opening direction, please follow these instructions.

NOTE:

All parts removed must be saved to do the reinstallation of the door.

1. Using a sharp object, pry out the 3 plug buttons. Save the plugs for later use.
2. Remove the upper hinge cover.
3. Remove the 2 phillips screws which connect the upper hinge to the cabinet top.
4. Carefully lift the door, placing it on a padded surface to avoid scratching.
5. Set the refrigerator door in its new position, making sure the hinge pin enters the bushing at the bottom of the cabinet.
6. While holding the door in the closed position, loosely secure the upper hinge using the parts removed in step 3. Before tightening the screws, make sure the top of the door is level with the cabinet top.
7. Replace upper hinge cover.
8. Replace all 3 plugs removed in step 1 to cover the holes at the right.

OPERATING YOUR APPLIANCE

> Temperature Control

- Your appliance has only one control for regulating the temperature in the fresh food and the freezer compartment. The temperature control is located on the upper right hand side of the fresh food section.
- The first time you turn the unit on set the temperature control to "6" or the high-position.
- The range of the temperature control is from position "1" the warmest to "6" the coldest. After 24 to 48 hours, adjust the temperature control to the setting that best suites your needs. The setting of "4" should be correct for home or office appliance use.
- To turn the appliance off, turn the temperature control to "OFF".

NOTE:

- Turning the temperature control to "OFF" position stops the cooling cycle but does not shut off the power to the appliance.
- If the unit is unplugged, power lost, or turned off; you must wait 3 to 5 minutes before restarting the unit. If you attempt to restart before this time delay, the appliance will not start.
- Water Collection Tray can be used to improve the cooling in the appliance or the freezing compartment.
 - To increase the cooling in the appliance compartment, move the collection tray forward to the first notch in the tray rail.
 - To increase the cooling in the appliance compartment, move the collection all the way to the rear of the compartment.

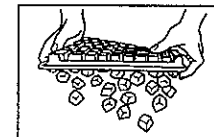
> Defrosting Your Appliance

- **When?** For the most efficient operation and minimum energy consumption, defrost the appliance compartment when the frost on the appliance walls is excessive or ¼ inch thick.
- **How?**

CAUTION

Do not use boiling water because it may damage the plastic parts. In addition, never use a sharp or metallic instrument to remove frost as it may damage the cooling coils and will void the warranty. We recommend using a plastic scraper.

- Remove the food from the appliance and place it in a cooler to protect the food.
 - During the defrost cycle, the ice melts into the water collection tray. The water must be removed from the water collection tray.
 - To remove the water, either remove the water collection tray and/or place a collection container under the tray.
 - Dry the water collection tray and place back under the appliance compartment.
- ### > Using Your Ice Cube Trays
- Recommended thermostat setting for ice making is between position 4 and 6.
 - Fill the ice cube tray (two thirds of it) with cold water or with any liquid suitable for freezing and place the tray on the bottom of the freezer to freeze properly.
 - Dry the bottom of the tray, otherwise it may stick to the bottom of the freezer.
 - The best method to get ice cubes out of the tray is to hold the tray under cold tap water for a second.
 - To eject the ice cubes from the trays, place over the ice bucket and twist slightly



➤ **The Freezer Compartment**

- This compartment is designed for production of ice cubes and short term storage (3-4 days at most) of some commercially frozen foods.
- The temperature in this compartment does not get cold enough to freeze food safely for long periods of time and works best when the food is already frozen.
- By design, this freezer compartment is not a true freezer, and may not keep ice cream frozen, or freeze items other than ice cubes.
- A colder setting may be used for these items, but other items in the refrigerator may also be affected.
- The freezer door is susceptible to breaking due to excessive ice build up. This part is not covered under your warranty. Be sure to defrost when the ice reaches ¼ inch thick.

CARE AND MAINTENANCE

➤ **Cleaning Your Appliance**

- Turn the temperature control to "OFF", unplug the appliance, and remove the food, shelves, and trays.
- Wash the inside with a warm water and baking soda solution. The solution should be about 2 tablespoons of baking soda to a quart of water.
- Wash the shelves and trays with a mild detergent solution.
- The outside of the appliance should be cleaned with mild detergent and warm water.
- The condenser coils should be vacuumed when they are dusty or dirty.

➤ **Maintenance of Your Appliance**

• **Power Failure**

Most power failures are corrected within a few hours and should not affect the temperature of your appliance if you minimize the number of times the door is opened. If the power is going to be off for a longer period of time, you need to take the proper steps to protect your food.

➤ **Vacation Time**

During long absences, remove all the food; unplug your appliance, clean your appliance, and leave the door open slightly to avoid possible formation of condensation, mold, or odors.

➤ **Moving Your Appliance**

- Remove all the food.
- Securely tape down all loose items inside your appliance.
- Turn the leveling screws up to the base to avoid damage.
- Tape the door shut.
- Be sure the appliance stays in the upright position during transportation.

➤ **Energy Saving Tips**

- The appliance should be located in the coolest area of the room, away from heat producing appliances or heating ducts, and out of the direct sunlight.
- Let hot foods cool to room temperature before placing in the appliance. Overloading the appliance forces the compressor to run longer. Foods that freeze too slowly may lose quality, or spoil.
- Be sure to wrap foods properly, and wipe containers dry before placing them in the appliance. This cuts down on frost build-up inside the appliance.
- Appliance storage bin should not be lined with aluminum foil, wax paper, or paper toweling. Liners interfere with cold air circulation, making the appliance less efficient.
- Organize and label food to reduce door openings and extended searches. Remove as many items as needed at one time, and close the door as soon as possible.

PROBLEMS WITH YOUR APPLIANCE?

You can solve many common appliance problems easily, saving you the cost of a possible service call. Try the suggestions below to see if you can solve the problem before calling the servicer.

TROUBLESHOOTING GUIDE

PROBLEM	POSSIBLE CAUSE
Appliance does not operate.	Not plugged in. The circuit breaker tripped or blown fuse. The appliance temperature control is set at "0".
Compressor turns on and off frequently.	Condenser coil at the back of the unit is dirty. The room temperature is hotter than normal. A large amount of food has been added to the appliance. The door is open too often. The door is not closed completely. The temperature control is not set correctly. The door gasket does not seal properly. The appliance does not have the correct clearances.
Vibrations.	Check to assure that the appliance is level.
The appliance seems to make too much noise.	The rattling noise may come from the flow of the refrigerant, which is normal. As each cycle ends, you may hear gurgling sounds caused by the flow of refrigerant in your appliance. Contraction and expansion of the inside walls may cause popping and crackling noises. The appliance is not level.
The door will not close properly.	The appliance is not level. The door was reversed and not properly installed. The gasket is dirty. The shelves, bins, or baskets are out of position.

SERVICE FOR YOUR APPLIANCE

We are proud of our customer service organization and the network of professional service technicians that provide service on your Avanti appliances. With the purchase of your Avanti appliance, you can have the confidence that if you ever need additional information or assistance, the Avanti Products Customer Service team will be here for you. Just call us toll-free.

AVANTI PRODUCTS CUSTOMER SERVICES

Product Information 800-323-5029	Whatever your questions are about our products, help is available.
Part Orders 800-220-5570	You may order parts and accessories that will be delivered directly to your home. You may order these items by personal check, money order, Master Card, or Visa.
In-Home Repair Service 800-220-5570	An Avanti Products authorized service center will provide expert repair service, scheduled at a time that is convenient for you. Our trained servicers know your appliance inside and out.

YOUR Avanti Products WARRANTY

Staple your sales receipt here. Proof of original purchase date is needed to obtain service under warranty.

WHAT IS COVERED
LIMITED ONE-YEAR WARRANTY

For one year from the date of purchase by the original owner, Avanti Products will, at its option, repair or replace any part of the appliance which proves to be defective in material or workmanship under normal use. During this period Avanti Products will provide all parts and labor necessary to correct such defects free of charge, so long as the appliance has been installed and operated in accordance with the written instructions in this manual. In rental or commercial use, the warranty period is 90 days. All Avanti appliances of 3.5 cubic foot capacity or less must be brought/sent to the applicable service shop for repair.

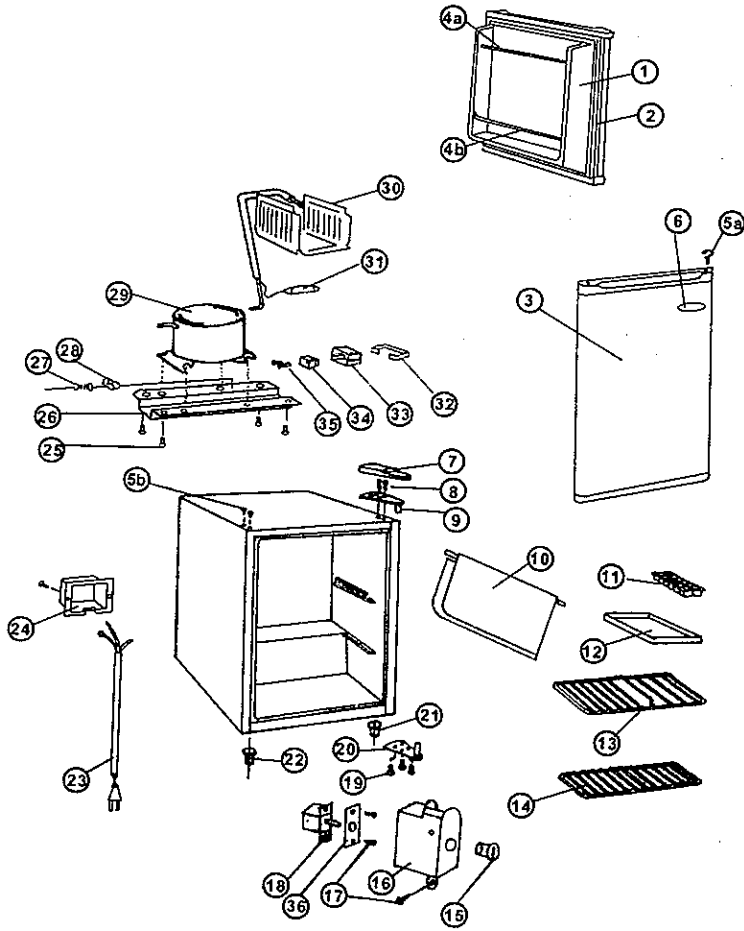
LIMITED SECOND THROUGH FIFTH YEAR WARRANTY

For the second through the fifth year from date of original purchase, Avanti Products will provide a replacement compressor free of charge due to a failure. You are responsible for the service labor and freight charges. In rental or commercial use, the limited compressor warranty is one year and nine months. Cost to move the appliance to the servicers' shop and back to the user's home, as may be required, are the user's responsibility.

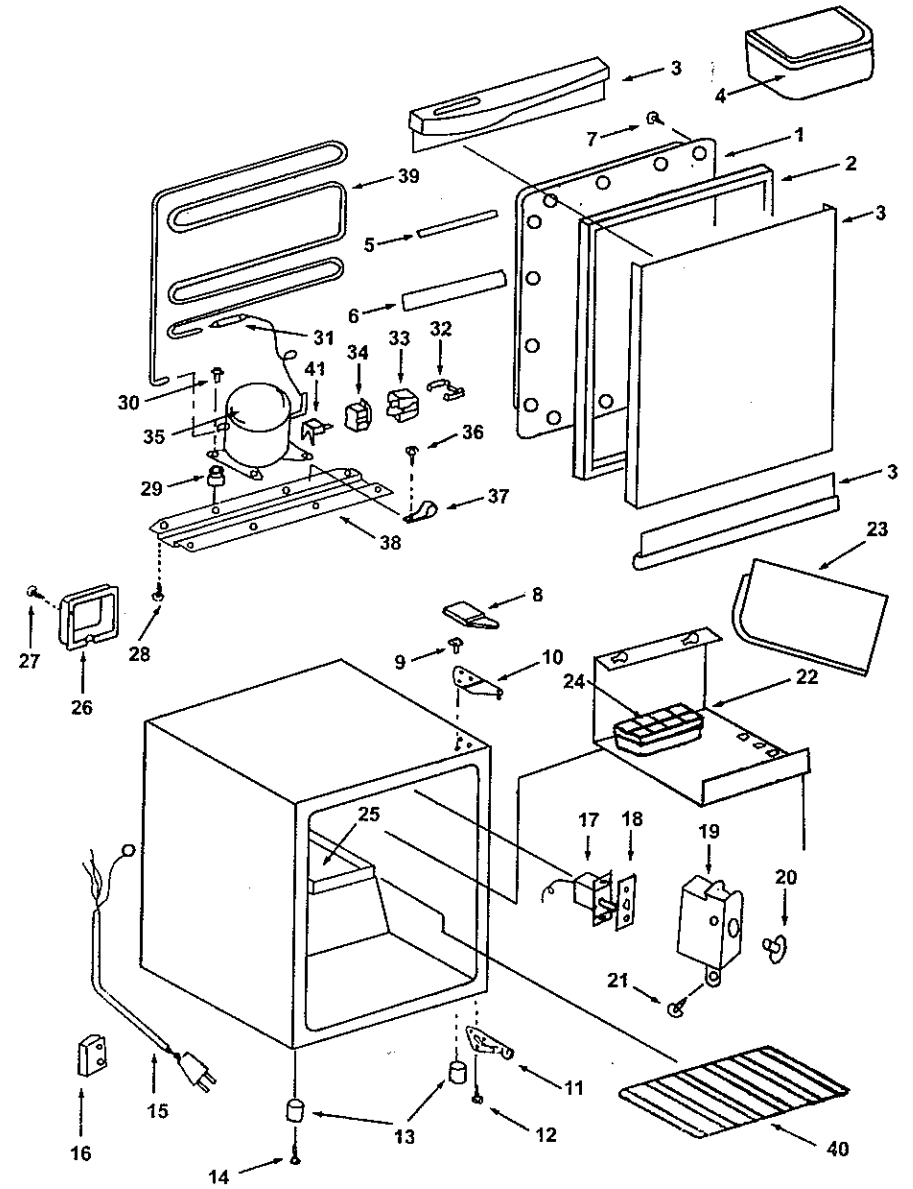
WHAT IS NOT COVERED

- Content losses of food due to spoilage.
- Incidental or consequential damages.
- Parts and labor costs for the following will not be considered as warranty:
 - Evaporator doors, door springs, and/or frames.
 - Inner door panels, door shelves, door rails, and/or door supports.
 - Chest appliance lid liners.
 - Vegetable crispers.
 - Light bulbs and/or plastic housing.
 - Plastic cabinet liners.
 - Punctured evaporator that voids the warranty on the complete sealed system.
- Repairs performed by unauthorized servicers.
- Service calls that do not involve defects in material or workmanship such as customer education, door reversal, or proper installation.
- Service calls that are related to external problems, such as abuse, misuse, inadequate electrical power, accidents, fire, floods, or acts of God.
- Replacement of house fuses or resetting circuit breakers.
- Failure of the product if it is used for other than its intended purpose.
- This warranty does not apply outside the Continental USA.

Parts Breakdown



248YW/YB/YC



18CYW/CYC/CYB

Parts List

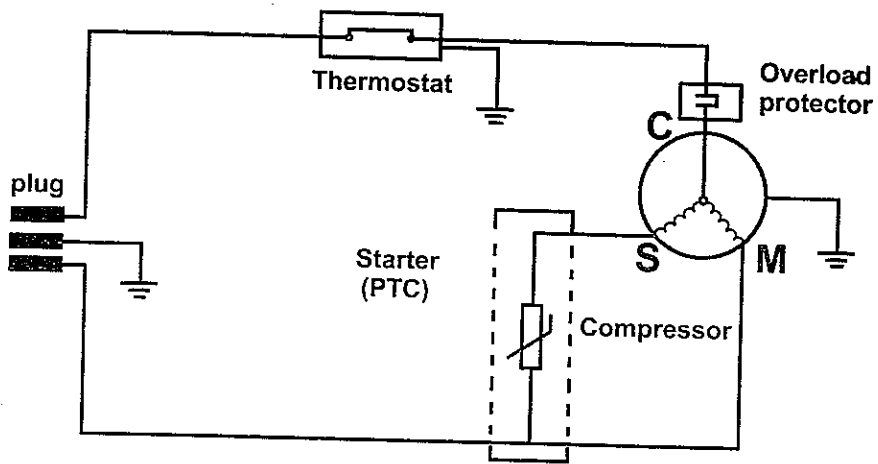
ITEM#	PART NUMBER	DESCRIPTION	ITEM#	PART NUMBER	DESCRIPTION
1	B102.6-2	Door Liner(Panel)	25	B102.0-1	Drip Tray
2	B102.6-2	Door Gasket	26	B102.0-7	Wiring Junction Box
3	B102.6.1-2	Door (Foamed)	27	GB818-85	Machine Screw(M4x8)
4	B102.0-6	Storage Bin	28	GB5285-85	Tapping Screw (ST4.8x4)
5	B102.6-1	Top Bar	29	4233C29100	Grommet
6	B102.6-3	Bottom Bar	30	GB5780-86	Bolt(M6x30)
7	GB845-85	Tapping Screw (ST4.2x12)	31	B101.7	Dryer
8	B101.0-2	Hinge Cap	32		Clip Relay Cover
9	GB845-85	Tapping Scw (ST4.2x10)	33	B101.0-2	Relay Cover
10	B102.3	Top Hinge	34	8312430970000	PTC Starter(ST4.2x10)
11	B102.5.1.2	Bottom Hinge	35	B101.2	Compressor
12	GB5285-85	Tapping Screw (ST4.8x14)	36	GB818-85	Machine Screw(M5X8)
13	B102.5.1-2	Leveling Legs	37	B102-19	Clamp
14	GB5285-85	Tapping Screw (ST4.8x14)	38	B102.5.1-2	Compressor Bracket
15	B102.1	Power Supply Cord	39	B102.5.1-2	Condenser
16	B102-20	Clamp,Power Supply Cord	40	B102.4	Shelf
17	B101.3.3	Thermostat	41		Overload Protector
18	B101.3.3-1	Thermostat Bracket	42	B102-B.0-1	Master Carton
19	B101.0-2	Thermostat Enclosure	43	B102-B.0-2	Top Bottom Sryrofoam
20	B101.0-1	Thermostat Knob	44	B102-B.0-3	Plastic Bag
21	GB845 -85	Tapping Screw (ST4.2x16)	45		Instruction Manual
22	B101.2	Evaporator	46		Energy Labels
23	B102.0-4	Evaporator Door With Logo	47		UPC Labels
24	B101.0-14	Ice Tray	48		I.D. Label

18CYW/CYC/CYB

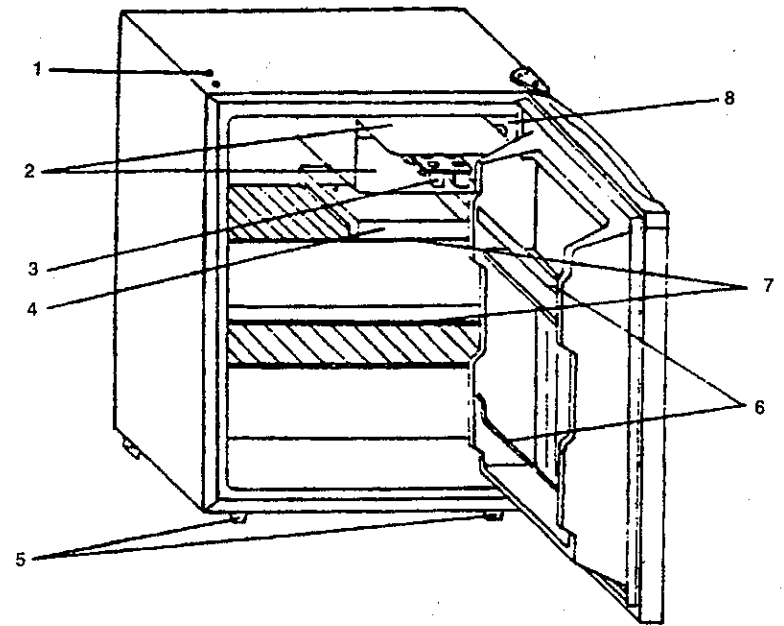
ITEM#	PART NUMBER	DESCRIPTION	ITEM#	PART NUMBER	DESCRIPTION
1	B105.5-3	Door Liner	22	B102.5.1-4	Leveling Leg
2	B105.5.1	Door Gasket	23	B102.1	Power Supply Cord
3	B105.5.1	Door (Foamed)	24	B102.8.2-2	Wiring Junction Box
4a	B105.5-4	Top Bar	25		Machine Screw (M5X8)
4b	B105.5-1	Bottom Bar	26	B102.5.1-2	Compressor Base
5a	B105.0-4	Button	27	B102.0-9	Rubber Cord
5b	B105.0-5	Button	28	B102.0-10	Clamp Power Supply Cord
6		Logo	29	B101.2	Compressor
7	B105.0-1	Hinge Cap	30	B105.6	Evaporator
8	GJB122.2-86	Tapping Screw (ST4.2x 12)	31		Dryer
9	B105.1	Top Hinge	32	B102.2-1	Clip Relay Cover
10	B102.0-4	Evaporator Door	33	B102.2-2	Relay Cover
11	B101.0-14	Ice Tray	34	B102.2-3	PTC Starter (ST4.2x 10)
12	B102.0-1	Drip Tray	35	B101.2-4	Overload Protector
13	B105.2	Up Shelf	36		Thermostat Bracket
14	B105.3	Down Shelf	37	B105.B.0-1	Master Carton
15	B101.0-1	Thermostat Knob	38	B105.B.0.1-2	Top Bottom Sryrofoam
16	B102.0-2	Thermostat Enclosure	39	B104.B.0-1	Plastic Bag
17		Tapping Screw	40	B105.B.0.2-1	Instruction Manual
18	B101.3.3	Thermostat	41	B105.B.0.2-2	Energy Label
19	GJB122.2-86	Tapping Screw (ST4.8x 14)	42		UPC Label
20	B105.4.2-1	Bottom Hinge	43		I.D. Label
21	B102.5.1-1	Ground Leg			

248YW/YB/YC

Wiring Diagram



15



1. Ranuras de Puerta Reversible
2. Congelador
3. Cubetera de Hielo
4. Gaveta Para Agua
5. Patas de Nivelar
6. Compartimentos de Botellas
7. Estantes Removibles
8. Control de Temperaturas

16

➤ INSTALACION

Retire los accesorios de empaque (plásticos protectores, cartón y tiras engomadas). Limpie el exterior con un trapo suave y seco, y el interior con un trapo húmedo y tibio.

➤ UBICACION

1. Seleccione un lugar con un piso firme y nivelado.
2. Su refrigerador requiere ventilación. Deje un espacio mínimo de 6" hacia arriba y espacio suficiente en el respaldo para permitir la circulación de aire.
3. Evite luz directa del sol o calor. La luz directa del sol puede afectar la capa de pintura. Las fuentes de calor en su proximidad causarán un consumo mayor de electricidad.
4. Para un mejor desempeño, nivele el refrigerador utilizando las patas ajustables o tornillos niveladores. Para verificar el nivel, abra la puerta hasta la mitad, debe regresar sola.

➤ INSTRUCCIONES PARA LA CONECCION A TIERRA

Este aparato electrodoméstico debe estar conectado a tierra. En caso de un cortocircuito eléctrico, la conexión a tierra reduce el riesgo de choque eléctrico proporcionando un cable de escape para la corriente eléctrica. Este aparato viene equipado con un cordón que posee un cable a tierra con un enchufe de conexión a tierra. Este enchufe debe estar conectado en un tomacorriente instalado correctamente y conectado a tierra.

➤ ADVERTENCIA

El uso inadecuado del enchufe de conexión a tierra puede resultar en un riesgo de choque eléctrico. Consulte con un electricista si no comprende bien las instrucciones de conexión a tierra o si existe alguna duda sobre si el aparato está conectado a tierra correctamente.

➤ NO USE UN CORDON DE EXTENSION ELECTRICA

Use un tomacorriente de pared exclusivo. No conecte su refrigerador a cordones de prolongación eléctrica o junto a cualquier otro electrodoméstico en el mismo tomacorriente de pared.

➤ ADVERTENCIA IMPORTANTE:

Un refrigerador vacío es una atracción muy peligrosa para los niños. Quite los sellos magnéticos, puertas o cerraduras de todo electrodoméstico que no esté en uso.

➤ OPERACION

Enchufe el cable a la toma de corriente, que debe ser 115-120v, 10 AMP ó más. Para evitar vibraciones, la caja debe estar bien nivelada. Para encender el refrigerador, gire el control de temperatura a la posición que corresponda al enfriamiento deseado. Bajo condiciones normales mueva el control a la posición "4". De otra manera ajuste la temperatura siguiendo las indicaciones señaladas en el gráfico que sigue.

➤ COMO DESCONGELAR

Coloque el dial del termostato on "OFF" (apagado). Quite todos los alimentos congelados o que se puedan echar a perder. El descongelado generalmente tarda pocas horas. Para descongelar rápido quite todos los alimentos del refrigerador y deje la puerta abierta. **Nunca use un cuchillo u otro instrumento metálico para raspar el hielo o la escarcha del congelador.** Luego de descongelar, vacíe el agua de la bandeja de goteo y vuelva a colocar el dial del termostato en la posición deseada.

➤ USO DE LAS CUBETERAS DE HIELO

- Llene la cubetera aproximadamente hasta $\frac{3}{4}$ de la altura después de lavarla.
- La cubetera es flexible, tuérsela para sacar los hielos.
- Si los cubos de hielo no son usados, pueden disminuir de tamaño y adquirir olores.
- Se aconseja cambiarlos cada 30 días si no se han usado.

➤ CUIDADOS EN LOS PERIODOS DE AUSENCIA

- Para cortos períodos de ausencia (menos de 21 días) el congelador podrá quedar funcionando. Coloque el botón de control de temperaturas en la posición mínima.
- En períodos de ausencia más largos, se aconseja dejar el refrigerador limpio y desconectado.
- Retire todo lo que tenga adentro del refrigerador y haga el deshielo y la limpieza general. También retire las cubeteras, limpie bien y séquelas internamente.
- Deje la puerta entreabierta para que penetre el aire y así evitar la formación de olores.

➤ ECONOMIA DE ENERGIA

- Evite dejar por mucho tiempo la puerta abierta.
- Evite aperturas frecuentes de la puerta.
- Nunca coloque alimentos calientes dentro del refrigerador. Espere que estén a una temperatura ambiental.
- Coloque el botón de control de temperaturas en la posición adecuada.

➤ SI USTED SE VA DE VACACIONES

- Saque todos los artículos del refrigerador-congelador si Ud. se va de vacaciones por un mes o más.
- Desconecte el refrigerador del tomacorriente y limpie el refrigerador bien, incluyendo la bandeja del congelador.
- Deje la puerta abierta para evitar la formación de olores, condensación o moho.

➤ SI USTED SE MUDA

- Desconecte el refrigerador del tomacorriente y limpie el refrigerador bien, incluyendo la bandeja del congelador.
- Saque todas las partes movibles y empaquételas para que no se muevan durante la transportación.
- Cierre la puerta del refrigerador y séllela con cinta adhesiva.
- Asegúrese que el refrigerador va parado durante el viaje y cúbralo con una frazada.

1. Usando un objeto puntiagudo, levante con cuidado los tres tapones plásticos. Levante la capa plástica que cubre la bisagra. Suelte los tornillos que conecta la bisagra a la parte superior derecha del refrigerador. Invierta las posiciones.
2. Retire la puerta, levantándola despacio y colocándola en una superficie suave para que no se dañe.
3. Después de encajar la puerta en su nueva posición, coloque la bisagra y su capa plástica en el lado izquierdo superior del refrigerador.
4. Aguantando la puerta en la posición cerrada, apriete suavemente los tornillos que aguantan la bisagra superior. Antes de atornillarlos fuertemente, esté seguro que la puerta está nivelada con la parte superior del refrigerador.
5. No se olvide de colocar los tapones plásticos en los 3 huecos que quedan en la parte superior derecha del refrigerador.

IRREGULARIDADES CON EL FUNCIONAMIENTO DEL REFRIGERADOR

PROBLEMA	CAUSAS PROBABLES	SOLUCION
El refrigerador no funciona.	Falta de energía. Tomacorriente defectuoso. Control de temperaturas en la posición "OFF". Enchufe desconectado.	Verifique el fusible. Substitúyalo o arréglelo. Coloque el botón en la posición correcta. Conéctelo.
La refrigeración es insuficiente.	Botón de control de temperatura en la posición incorrecta. Elevada frecuencia de apertura de la puerta.	Observe las instrucciones. Evite abrir la puerta demasiado.
Ruidos anormales.	Expansión del gas en el evaporador. Tubos en contacto con gabinetes o paredes.	Normal. Aléjelos.