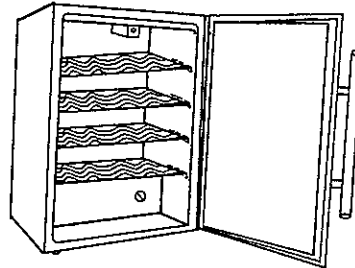


Avanti[®]

WINE COOLER INSTRUCTION MANUAL

Model Numbers/No. de Modelos: WC262BG



CAUTION:
**BEFORE USE, PLEASE READ AND FOLLOW ALL
SAFETY RULES AND OPERATING INSTRUCTIONS.**

La sección en español empieza en la página 14.
Avanti has a policy of continuous improvement on its products and reserves the right to change materials and specifications without notice.

Avanti Products, A Division of The Mackle Co., Inc.
P. O. Box 520604 – Miami, Florida 33152
www.avantiproducts.com

Registration Information

Thank you for purchasing this fine Avanti product. Please fill out this card and return it within 100 days of purchase and receive these important benefits:

➤ **Protect your product:**

We will keep the model number and date of purchase of your new Avanti product on file to help you refer to this information in the event of an insurance claim such as fire or theft.

➤ **Promote better products:**

We value your input. Your responses will help us develop products designed to best meet your future needs.

----- (detach here) -----

Avanti Registration Card

| | | | | |
|---|--------------------|-----------|---|-------------------------|
| Name _____ | | | Model# _____ | Serial# _____ |
| Address _____ | | | Date Purchased _____ | Store/Dealer Name _____ |
| City _____ | State _____ | Zip _____ | Occupation _____ | |
| Area Code _____ | Phone Number _____ | | <u>As Your Primary Residence, Do You:</u> <input type="checkbox"/> Own <input type="checkbox"/> Rent | |
| <u>Did You Purchase An Additional Warranty:</u> <input type="checkbox"/> Extended <input type="checkbox"/> Food Loss <input type="checkbox"/> None | | | | |
| <u>Reason For Choosing This Avanti Product:</u> Please indicate the most important factors that influenced your decision to purchase this product. | | | | |
| <input type="checkbox"/> Price | | | | |
| <input type="checkbox"/> Product Features | | | | |
| <input type="checkbox"/> Avanti Reputation | | | | |
| <input type="checkbox"/> Product Quality | | | | |
| <input type="checkbox"/> Salesperson Recommendation | | | | |
| <input type="checkbox"/> Friend/Relative Recommendation | | | | |
| <input type="checkbox"/> Warranty | | | | |
| <input type="checkbox"/> Other _____ | | | | |
| | | | <u>Your Age:</u> <input type="checkbox"/> under 18 <input type="checkbox"/> 18 - 25 <input type="checkbox"/> 26 - 30 <input type="checkbox"/> 31 - 35 <input type="checkbox"/> 36 - 50 <input type="checkbox"/> over 50 | |
| | | | <u>Marital Status:</u> <input type="checkbox"/> Married <input type="checkbox"/> Single | |
| | | | <u>Is This Product Used In The:</u> <input type="checkbox"/> Home <input type="checkbox"/> Business | |
| | | | <u>How Did You Learn About This Product:</u> <input type="checkbox"/> Advertising <input type="checkbox"/> Product Features <input type="checkbox"/> In Store Demo <input type="checkbox"/> Personal Demo <input type="checkbox"/> Other _____ | |
| | | | Comments _____ _____ _____ | |

HELP US HELP YOU...

Read this guide carefully.

It is intended to help you operate and maintain your new wine cooler properly.

Keep it handy to answer your questions. If you don't understand something or you need more help, please call:

Avanti Customer Service
800-220 5570

Keep proof of original purchase date (such as your sales slip) with this guide to establish the warranty period.

CAUTION:
THIS WINE COOLER IS NOT DESIGNED FOR THE STORAGE OF MEDICINE OR OTHER MEDICAL PRODUCTS.

Write down the model and serial numbers.

You'll find them on a label located on the back side of the unit.

Please write these numbers here:

Date of Purchase

Model Number

Serial Number

Use these numbers in any correspondence or service calls concerning your wine cooler.

If you received a damaged wine cooler, immediately contact the dealer (or builder) that sold you the wine cooler.

Save time and money. Before you call for service, check the Problem Solver Guide. It lists causes of minor operating problems that you can correct yourself.

IF YOU NEED SERVICE

We're proud of our service and want you to be pleased. If for some reason you are not happy with the service you receive, here are some steps to follow for further help.

FIRST, contact the people who serviced your appliance. Explain why you are not pleased. In most cases, this will solve the problem.

NEXT, if you are still not pleased, write all the details, including your telephone number, and send to:

Customer Service
Avanti Products
10880 NW 30 Street
Miami, FL 33172

Parts and Features

REVERSIBLE DOOR

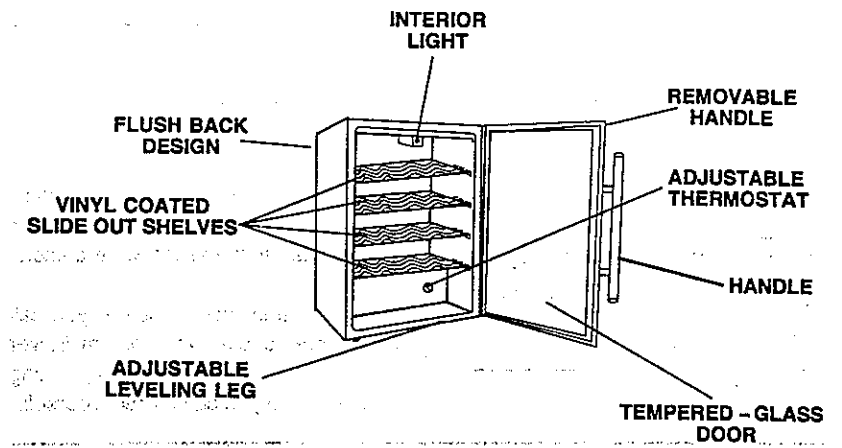


Table of Contents

| | |
|--|---------|
| Help Us Help You | 1 |
| Parts and Features | 2 |
| Important Safety Instructions | 4 |
| Installation Instructions | 4 |
| Before Using Your Wine Cooler | 4 |
| Installation of Your Wine Cooler | 4 |
| Installing the Door Handle | 5 |
| Operating Your Wine Cooler | 6 |
| Temperature Control | 6 |
| Care and Maintenance | 7 |
| Reversing the Door Swing of Your Wine Cooler | 7 |
| Cleaning Your Wine Cooler | 7 |
| Maintenance of Your Wine Cooler | 7 |
| Vacation Time | 7 |
| Moving Your Wine Cooler | 7 |
| Troubleshooting Guide | 8 |
| Changing the Light Bulb | 9 |
| Service For Your Wine Cooler | 9 |
| Your Avanti Products Warranty | 10 |
| WC262BG Parts Breakdown | 11 |
| WC262BG Parts List | 12 |
| WC262BG Wiring Diagram | 13 |
| Spanish Section | 14 – 15 |

Important Safety Instructions

⚡ WARNING ⚡

To reduce the risk of fire, electrical shock, or injury when using your appliance, follow these basic precautions:

- Read all instructions before using the appliance.
- **Danger or Warning:** Risk of child entrapment.
- Child entrapment and suffocation are not problems of the past. Junked or abandoned appliances are still dangerous. . . even if they will "just sit in the garage a few days."
- **Before you throw away your old refrigerator or freezer:** Take off the doors. Leave the shelves in place so that children may not easily climb inside.
- Never allow children to operate, play with, or crawl inside the appliance.
- Never clean appliance parts with flammable fluids. The fumes can create a fire hazard or explosion.
- Do not store or use gasoline or any other flammable vapors and liquids in the vicinity of this or any other appliance. The fumes can create a fire hazard or explosion.

– Save these instructions –

INSTALLATION INSTRUCTIONS

➤ **Before Using Your Wine Cooler**

- Remove the exterior and interior packing.
 - Check to be sure the following parts are included:
 - 4 slide out shelves
 - 1 door handle with 4 Phillips screws
 - 4 stickers
 - Instruction manual
- Before connecting the appliance to the power source, let it stand upright for approximately 2 hours. This will reduce the possibility of a malfunction in the cooling system from handling during transportation.
- Clean the interior surface with lukewarm water using a soft cloth.

➤ **Installation of Your Wine Cooler**

- Place your appliance on a floor that is strong enough to support the appliance when it is fully loaded. To level your appliance, adjust the legs at the front of the appliance.
- Allow 5 inches of space between the back and sides of the appliance, which allows the proper air circulation to cool the compressor.

- Locate the appliance away from direct sunlight and sources of heat (stove, heater, radiator, etc.) .Direct sunlight may affect the acrylic coating and heat sources may increase electrical consumption. Extreme cold ambient temperatures may also cause the appliance not to perform properly.
- Avoid locating the appliance in moist areas. Too much moisture in the air will cause frost to form quickly on the evaporator.

➤ Electrical Connection

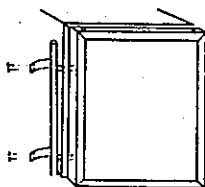
⚡ **Warning** ⚡

Improper use of the grounded plug can result in the risk of electrical shock. If the power cord is damaged, have it replaced by an authorized Avanti Products service center.

- This appliance should be properly grounded for your safety. The power cord of this appliance is equipped with a three-prong plug which mates with standard three prong wall outlets to minimize the possibility of electrical shock.
- Do not under any circumstances cut or remove the third ground prong from the power cord supplied.
- Plug the appliance into an exclusive properly installed-grounded wall outlet. Do not under any circumstances cut or remove the third (ground) prong from the power cord. Any questions concerning power and or grounding should be directed toward a certified electrician or an authorized Avanti Products service center.
- Use of extension cords is not recommended.
- This appliance requires a standard 115/120-volt, 60Hz electrical outlet with three-prong ground.
- The cord should be secured behind the appliance and not left exposed or dangling to prevent accidental injury.
- Do not use an extension cord with this appliance. If the power cord is too short, have a qualified electrician or service technician install an outlet near the appliance.

➤ Installing the Door Handle

- Using a sharp object, pry out the four plug buttons.
- Place the handle over the four holes in the left side of the door.
- Using the attached four screws provided to fix the handle.
- Using the attached four stickers to cover the screws.



OPERATING YOUR WINE COOLER

➤ Temperature Control

- The first time you turn the unit on, set the temperature control to "MAX" position.
- The settings of the temperature control are "OFF", "MIN", "NORMAL" and "MAX". After 20 minutes, adjust the temperature control setting to "NORMAL". The setting of "NORMAL" should be correct for home or office wine cooler use.
- To turn the wine cooler off, turn the temperature control to "OFF".

NOTE:

- Turning the temperature control to "OFF" position stops the cooling cycle, but does not shut off the power to the wine cooler.
- If the unit is unplugged, power lost, or turned off; you must wait 3 to 5 minutes before restarting the unit. If you attempt to restart before this time delay, the wine cooler will not start.
- The range between "MAX" and "MIN" is from 45°F to 65°F, which is ideal for the storage of wines.

It is recommended you install the wine cooler in a place where the ambient temperature is between 72-78 degrees Fahrenheit. If the ambient temperature is above or below recommended temperatures, the performance of the unit may be affected. For example, placing you unit in extreme cold or hot conditions may cause interior temperatures to fluctuate. The range of 45-65 degrees Fahrenheit may not be reached.

If the interior light is left on, the temperature inside the wine cooler will be higher.

Recommended Temperatures For Chilling Wine

| | Degrees | Control Position |
|-----------------|---------|------------------|
| Red Wines: | 59-65°F | Min |
| Dry/White Wines | 49-56°F | Normal |
| Sparkling Wines | 45-49°F | Max |
| Rose Wines | 49-51°F | Normal |

Temperature Range Guide

| | |
|--------|---------|
| MIN | 59-65°F |
| NORMAL | 50-56°F |
| MAX | 45-50°F |

The above temperatures may fluctuate depending on whether or not the interior bulb is on or off or whether the bottles are located on the upper/middle or lower section.

CARE AND MAINTENANCE

➤ Reversing the Door Swing of Your Wine Cooler

- This appliance has the capability of either opening the door from the left or right side. The unit is delivered to you with the door opening from the left side. Should you desire to reverse the opening direction, please call service for reversal instructions.

➤ Cleaning Your Wine Cooler

- Turn the temperature control to "OFF", unplug the wine cooler, and remove the bottles.
- Wash the inside with a warm water and baking soda solution. The solution should be about 2 tablespoons of baking soda to a quart of water.
- Wash the shelves and trays with a mild detergent solution.
- The outside of the wine cooler should be cleaned with mild detergent and warm water.
- It may also be necessary to periodically wipe the bottom part of the storage area, as the wine cooler is designed to retain humidity, and condensation may collect there.
- Dry the water collection tray located above the compressor in the back of the unit. Once dry, place it back to its original position.

➤ Maintenance of Your Wine Cooler

• Power Failure

Most power failures are corrected within a few hours and should not affect the temperature of your wine cooler if you minimize the number of times the door is opened. If the power is going to be off for a longer period of time, you need to take the proper steps to protect your contents.

➤ Vacation Time

During long absences, remove all the bottles; unplug your wine cooler, clean your wine cooler, and leave the door open slightly to avoid possible formation of condensation, mold, or odors.

➤ Moving Your Wine Cooler

- Remove all the bottles.
- Securely tape down all loose items inside your wine cooler.
- Turn the leveling screws up to the base to avoid damage.
- Tape the doors shut.
- Be sure the wine cooler stays in the upright position during transportation.

PROBLEMS WITH YOUR WINE COOLER?

You can solve many common wine cooler problems easily, saving you the cost of a possible service call. Try the suggestions below to see if you can solve the problem before calling the servicer.

TROUBLESHOOTING GUIDE

| PROBLEM | POSSIBLE CAUSE |
|---|--|
| Wine cooler does not operate. | Not plugged in. The circuit breaker tripped or blown fuse. The wine cooler temperature control is set at "OFF". |
| Wine cooler is not cold enough. | Check to be sure the temperature control setting is at "NORMAL". External environment may require a higher setting. The door is opened too often. The door is not closed completely. The door gasket does not seal properly. The wine cooler does not have the correct clearances. |
| Compressor turns on and off frequently. | The room temperature is hotter than normal. A large amount of contents has been added to the wine cooler. The door is opened too often. The door is not closed completely. The temperature control is not set correctly. The door gasket does not seal properly. The wine cooler does not have the correct clearances. |
| Vibrations. | Check to assure that the wine cooler is level. |
| The wine cooler seems to make too much noise. | The ratting noise may come from the flow of the refrigerant, which is normal. As each cycle ends, you may hear gurgling sounds caused by the flow of refrigerant in your wine cooler. Contraction and expansion of the inside walls may cause popping and crackling noises. The wine cooler is not level. |
| The door will not close properly. | The wine cooler is not level. The doors were reversed and not properly installed. The gasket is dirty. The shelves are out of position. |

CHANGING THE LIGHT BULB

Before removing the light bulb, either unplug the refrigerator or disconnect the electricity leading into the refrigerator at the main power supply. Failure to do so could result in electrical shock or personal injury.

- Remote bottles from top shelf.
- Remove the screw holding the lamp cover.
- Remove the cover by sliding it toward the back.
- Reach into the hole and unscrew the bulb.
- Replace with a 15 watt-refrigerator bulb that is the same shape and size.
- Replace the shelf and any items you may have previously removed.

SERVICE FOR YOUR WINE COOLER

We are proud of our customer service organization and the network of professional service technicians that provide service on your Avanti appliances. With the purchase of your Avanti appliance, you can have the confidence that if you ever need additional information or assistance, the Avanti Products Customer Service team will be here for you. Just call us toll -free.

AVANTI PRODUCTS CUSTOMER SERVICES

| | |
|--|--|
| Product Information 800 - 323 5029 | Whatever your questions are about our products, help is available. |
| Part Orders 800 - 220 5570 | You may order parts and accessories that will be delivered directly to your home. You may order these items by personal check, money order, Master Card, or Visa. |
| In - Home Repair Service 800 - 220 5570 | An Avanti Products authorized service center will provide expert repair service, scheduled at a time that is convenient for you. Our trained servicers know your appliance inside and out. |

**YOUR Avanti Products
WARRANTY**

**Staple your sales receipt here. Proof of
original purchase date is needed to
obtain service under warranty.**

WHAT IS COVERED
LIMITED ONE - YEAR
WARRANTY

For one year from the date of purchase by the original owner, Avanti Products will, at its option, repair or replace any part of the appliance which proves to be defective in material or workmanship under normal use. During this period Avanti Products will provide all parts and labor necessary to correct such defects free of charge, so long as the appliance has been installed and operated in accordance with the written instructions in this manual. In rental or commercial use, the warranty period is 90 days. All Avanti appliances of 3.5 cubic foot capacity or less must be brought/sent to the applicable service shop for repair.

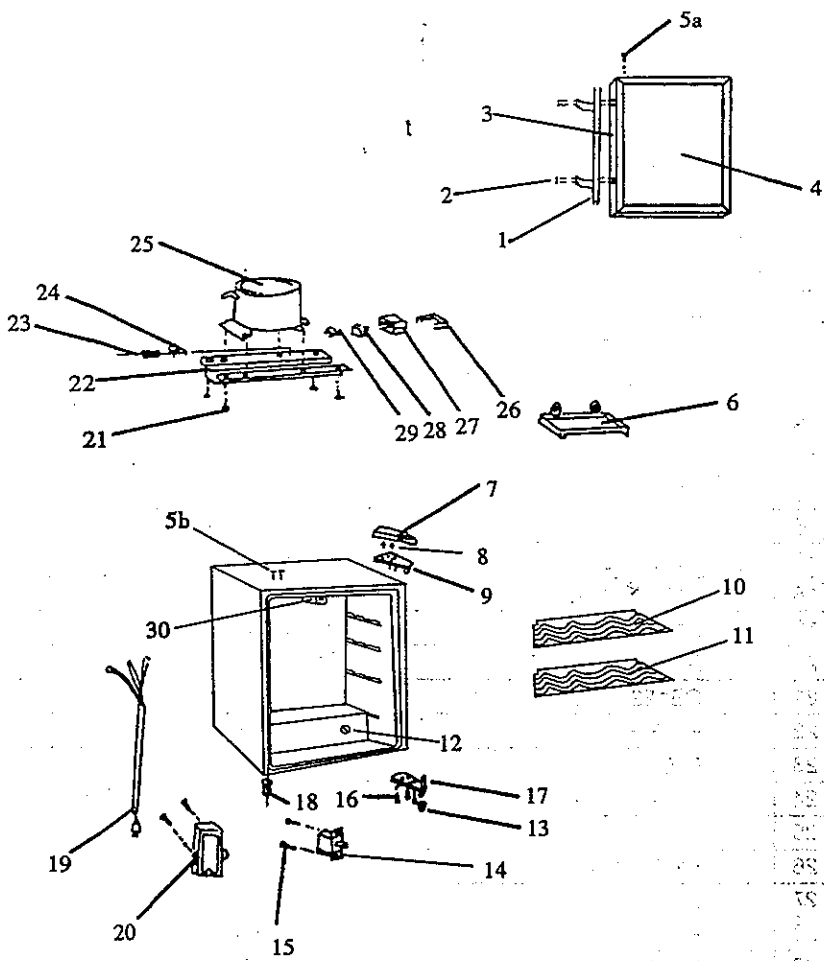
LIMITED SECOND THROUGH
FIFTH YEAR WARRANTY

For the second through the fifth year from date of original purchase, Avanti Products will provide a replacement compressor free of charge due to a failure. You are responsible for the service labor and freight charges. In rental or commercial use, the limited compressor warranty is one year and nine months. Cost to move the appliance to the servicers' shop and back to the user's home, as may be required, are the user's responsibility.

WHAT IS NOT COVERED

- Content losses of food due to spoilage.
- Incidental or consequential damages.
- Parts and labor costs for the following will not be considered as warranty:
 - Evaporator doors, door springs, and/or frames.
 - Inner door panels, door shelves, door rails, and/or door supports.
 - Chest appliance lid liners.
 - Vegetable crispers.
 - Light bulbs and/or plastic housing.
 - Plastic cabinet liners.
 - Punctured evaporator that voids the warranty on the complete sealed system.
- Repairs performed by unauthorized servicers.
- Service calls that do not involve defects in material or workmanship such as customer education, door reversal, or proper installation.
- Service calls that are related to external problems, such as abuse, misuse, inadequate electrical power, accidents, fire, floods, or acts of God.
- Replacement of house fuses or resetting circuit breakers.
- Failure of the product if it is used for other than its intended purpose.
- This warranty does not apply outside the Continental USA.

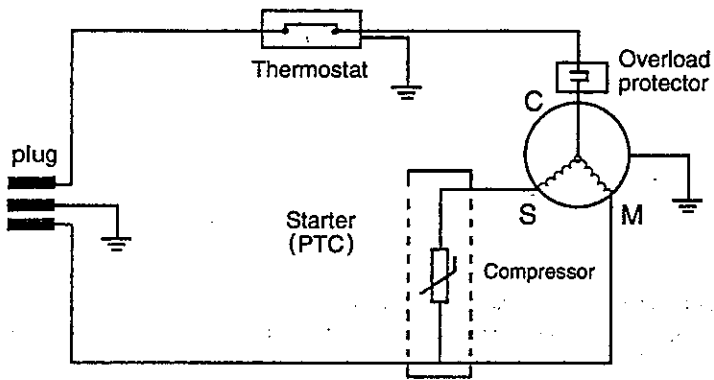
WC262BG PARTS BREAKDOWN



WC262BG PARTS LIST

| ITEM# | PART NUMBER | DESCRIPTION |
|-------|---------------|-------------------------|
| 1 | B107. D1 | Handle |
| 2 | GB845 -85 | Tapping Screw |
| 3 | B107. 7. 1 | Door Gasket |
| 4 | B107. 7D | Glass Door |
| 5A | B105. 0 -4 | Button |
| 5B | B105. 0 -5 | Button |
| 6 | B106 | Evaporator Drain Pan |
| 7 | B105. 0 -1 | Hinge Cap |
| 8 | GB122. 2 -86 | Tapping Screw |
| 9 | B105. 1 | Top Hinge |
| 10 | B130. 0 -1 | Shelf |
| 11 | B130. 0 -2 | Shelf |
| 12 | B107. 0 -1 | Thermostat Knob |
| 13 | B107. 6. 1 -2 | Adjustable Leg |
| 14 | B107. 1 | Thermostat |
| 15 | GB122. 2 -86 | Tapping Screw |
| 16 | GB122. 2 -86 | Tapping Screw |
| 17 | B107. 6. 2 | Bottom Hinge |
| 18 | B102. 5. 1 -2 | Leveling Leg |
| 19 | B102. 1 | Power Supply Cord |
| 20 | B107. 0 -2 | Bracket |
| 21 | GB122. 1 -86 | Machine Screw |
| 22 | B107. 6. 1 -1 | Compressor Base |
| 23 | B102. 0 -9 | Rubber Cord |
| 24 | B102. 0 -10 | Clamp Power Supply Cord |
| 25 | B107. 11 | Compressor |
| 26 | B107. 11 -1 | Clip Relay Cover |
| 27 | B107. 11 -2 | Relay Cover |
| 28 | B107. 11 -3 | PTC Starter |
| 29 | B107. 11 -4 | Overload Protector |
| 30 | B107. 15 | Light Bulb |

WC262BG WIRING DIAGRAM



➤ **DISCO DEL TERMOSTATO:** (Instalado en la parte interior) Para controlar la temperatura dentro del refrigerador para vinos.

- La primera vez que encienda la unidad, gire el control a la posición "MAX".
- Después de 20 minutos, mueva el control a la posición "NORMAL".
- Para apagarlo, gire el control a la posición "OFF".

Temperaturas recomendadas para enfriar vinos:

| | | |
|------------------|-------------------|--------|
| Vinos blancos: | 52 ~ 56° F | NORMAL |
| Vinos rosados: | 49 ~ 51° F | MAX |
| Vinos tintos: | 57 ~ 61° F | MIN |
| Vinos espumosos: | 48° F ó más bajo | |
| | MIN ~ 57°-61°F | |
| | NORMAL ~ 52°-56°F | |
| | MAX ~ 48°-51°F | |

Se recomienda que Ud. coloque su vinera en un lugar donde la temperatura ambiental se mantenga entre 23-25 grados centígrados.

Si la temperatura ambiental oscila afuera de esos límites, puede afectar la temperatura interna.

Por ejemplo, si su unidad está situada en lugares donde hay temperaturas muy frías o calientes también puede afectar la temperatura interna.

Si la bombilla interior está siempre encendida, la temperatura de la caja estará más elevada.

➤ **Luz interior**

La luz interior se controla manualmente y no funciona al abrir ni cerrar la puerta. Para prender la luz, presione el interruptor manual de la luz, ubicado en la parte inferior del espacio interior de la vinera.

➤ **Descongelación**

Su refrigerador para vinos ha sido diseñado con un sistema de descongelación de "ciclo automático".

Las superficies refrigeradas del compartimiento para vinos se descongela automáticamente, durante el ciclo "apagado" del control de enfriamiento (termostato). El agua descongelada del compartimiento es eliminada automáticamente, encauzándola hacia una bandeja de goteo ubicada sobre el compresor. La transferencia de calor del compresor evapora el agua.

CUIDADO Y MANTENIMIENTO

➤ **Limpieza**

Para limpiar el interior, use un paño suave con una solución de una cucharada de bicarbonato de sodio por cada cuarto de agua, o una solución de espuma de jabón suave, o un

detergente suave. Para lavar las rejillas, sáquelas deslizándolas con cuidado, y use una solución de detergente suave; luego séquelas con un paño suave. Limpie el exterior con un paño húmedo suave y un poco de detergente suave o productos de limpieza para electrodomésticos.

➤ **Período de vacaciones**

Para períodos cortos de vacaciones, deje los controles en la posición normal. Durante ausencias más largas;

- (a) saque todas las botellas,
- (b) desconecte la vinera del tomacorriente,
- (c) limpie bien el refrigerador para vinos,
- (d) deje la puerta abierta para evitar la formación de condensación, moho u olores,

➤ **Corte de corriente**

La mayoría de los cortes de corriente se corrigen en una o dos horas y no afectarán las temperaturas de su vinera. Sin embargo, Ud. deberá reducir la cantidad de veces que abra la puerta cuando la corriente esté apagada. Durante los cortes de corriente de larga duración, tome medidas para proteger sus alimentos.

➤ **Si Ud. se muda**

Saque o asegure todos los artículos dentro de su vinera. Para evitar que los tornillos nivelantes se averíen, gírelos completamente hacia la base.

➤ **Cambio de la bombilla**

Para cambiar la bombilla del compartimiento interior, Saque el tornillo que sujeta el protector de la bombilla; saque el protector. Reemplace la bombilla.

NOTA: la bombilla no debe exceder de 15 vatios.

Vuelva a colocar el protector de la bombilla.

Coloque nuevamente el tornillo que sujeta la cubierta.

➤ **Algunas reglas importantes para el uso correcto de la vinera.**

- Las bebidas se deben guardar en botellas cerradas.
- No sobrecargue el compartimiento interior.
- No abra la puerta a menos que sea necesario.
- Si la vinera se guardara sin uso por períodos largos, se sugiere que, luego de una limpieza cuidadosa, se deje la puerta entreabierta para permitir que el aire circule dentro de la caja y evitar una posible formación de condensación, moho u olores.
- Nunca cubra los estantes del compartimiento para vinos con papel de aluminio o cualquier otro material para cubrir estantes que puedan obstruir la circulación del aire.

PRINTED IN CHINA