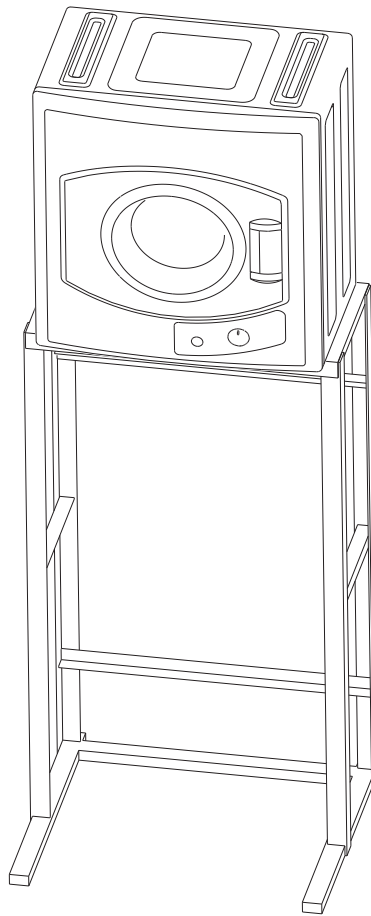




INSTALLATION MANUAL

Model Number: WDB100

CLOTHES DRYER STACKING BRACKET



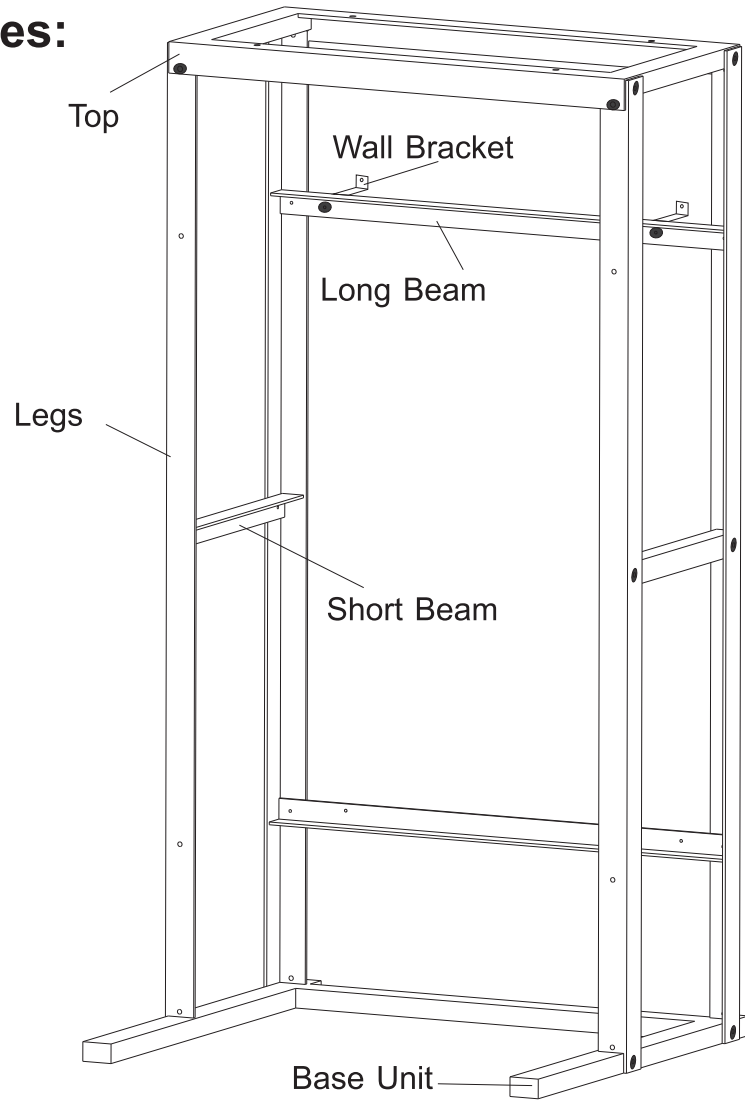
CAUTION:

BEFORE USE, PLEASE READ AND FOLLOW ALL SAFETY RULES AND OPERATING INSTRUCTIONS.



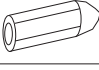
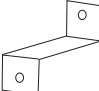
Avanti has a policy of continuous improvement on its products and reserves the right to change materials and specifications without notice.

Avanti Products
P.O. Box 520604 - Miami, Florida 33152
www.avantiproducts.com

Parts and Features:

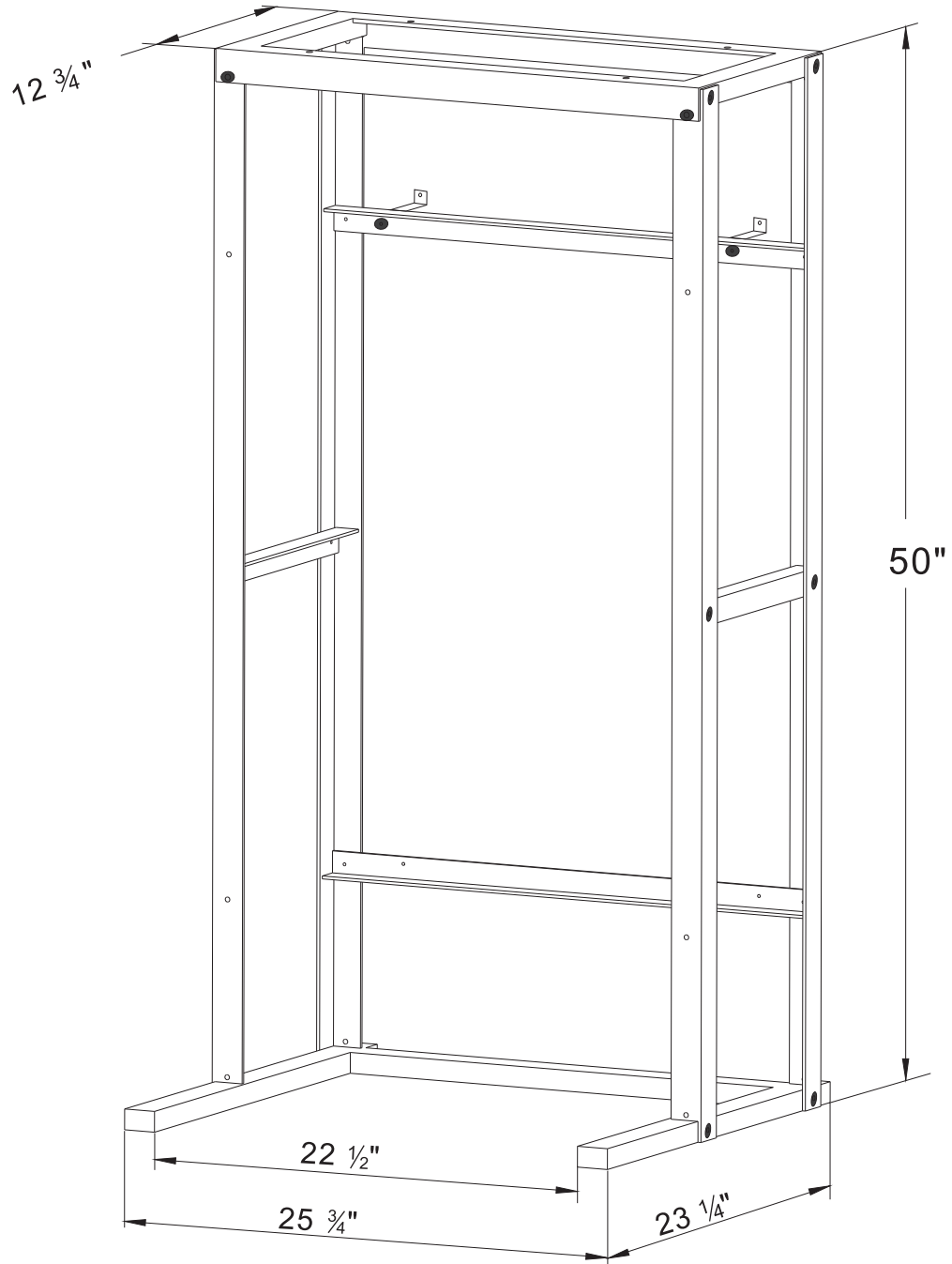


Hardware (Included)

Name	Quantity
Self Tapping Screw ST5× $\frac{3}{4}$ " 	22
Self Tapping Screw ST5×1" 	2
Plastic Wall Anchor 	2
Wall Bracket 	2

FINAL ASSEMBLED DIMENSIONS

Size:



STEP 1:

As shown in the illustration (Fig.1), use 4 pieces of screw ST5 × 3/4" to affix the 4 legs to the base.

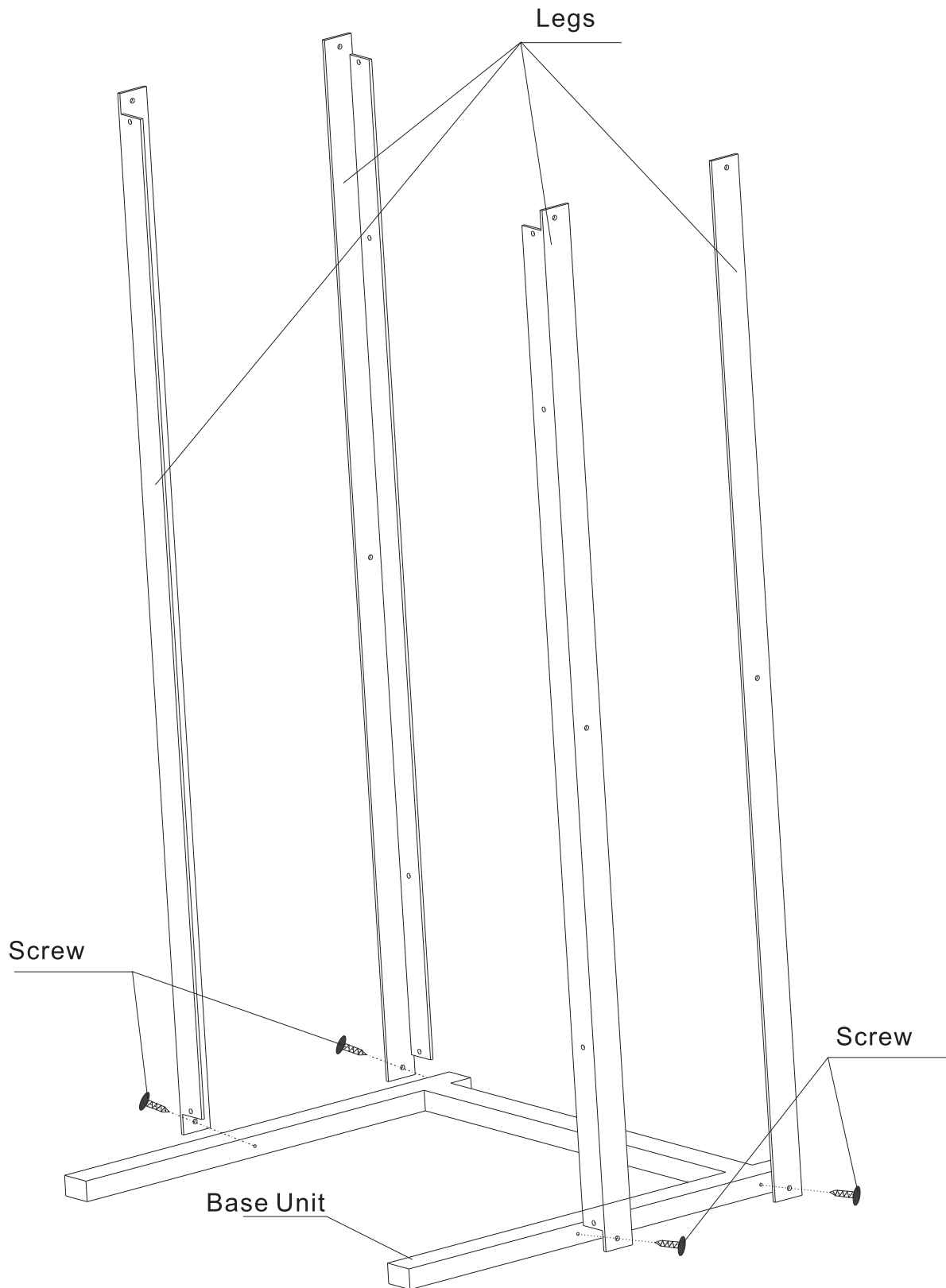


Fig. 1

STEP 2:

As shown in the illustration (Fig.2), use 8 pieces of screw $ST5 \times \frac{3}{4}$ " to affix the 4 legs to the top.

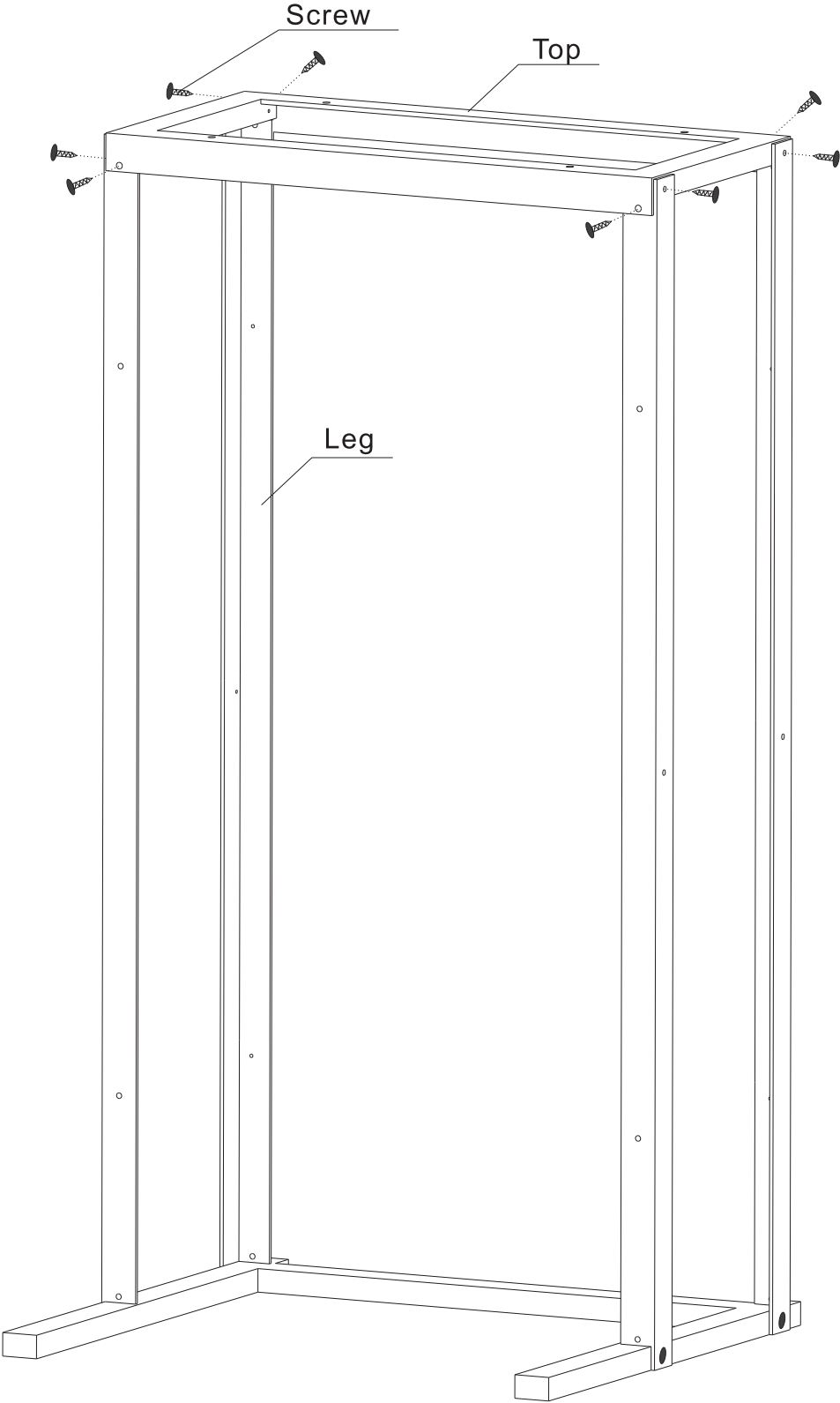


Fig. 2

STEP 3:

As shown in the illustration (Fig. 3), install both the long beams and short beams using 8 pieces ST5 × 3/4" screws.

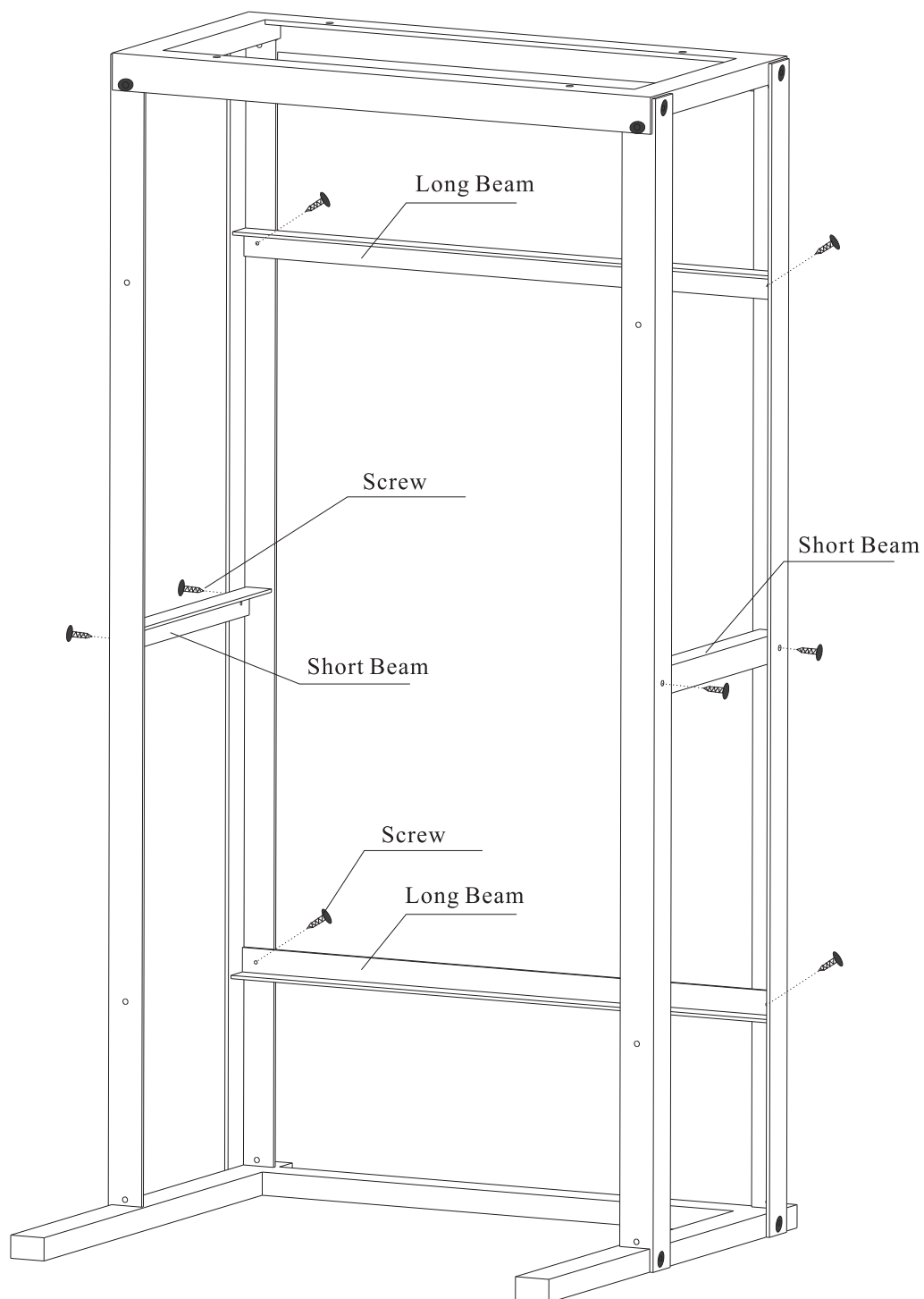


Fig. 3

STEP 4:

As shown in the illustration (Fig. 4), secure the wall brackets to the back of the top rear support bar using 2 pieces ST5 × 3/4" screw.

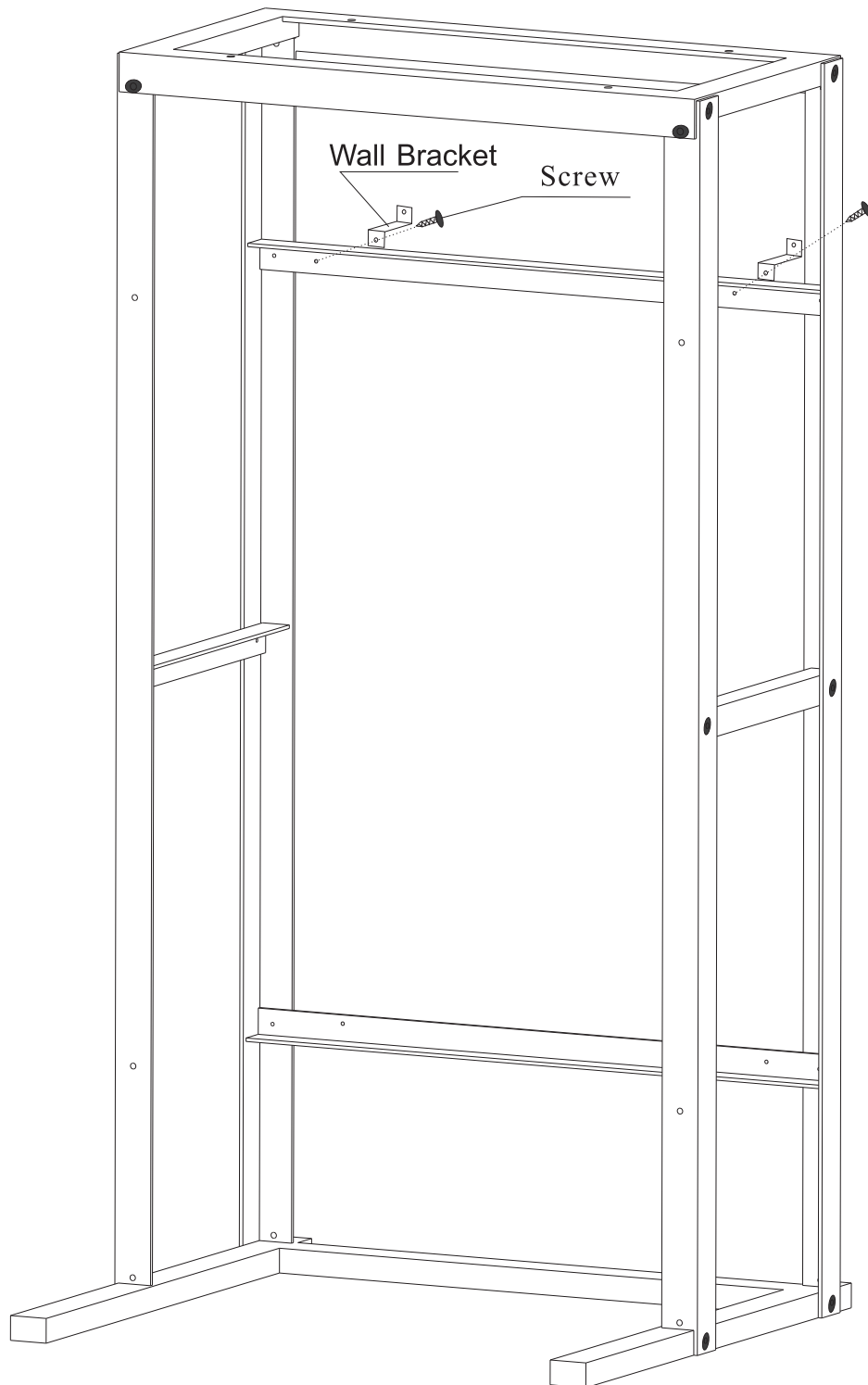


Fig. 4

STEP 5:

***** Stacking bracket MUST be affixed to the wall for stability and to prevent the unit from toppling over *****

As shown in the illustration (Fig. 5):

- a) Using the holes on the wall brackets, mark the area where the brackets are to be installed on the wall.
- b) Drill a hole in the areas marked in step a.
- c) Using a hammer install the plastic wall anchors in the holes until they are flush with the wall surface.
- d) Put the stacking bracket into place and align the wall holes with those of the wall brackets.
- e) Secure the wall bracket to the wall using 2 pieces ST5 × 1" screws.

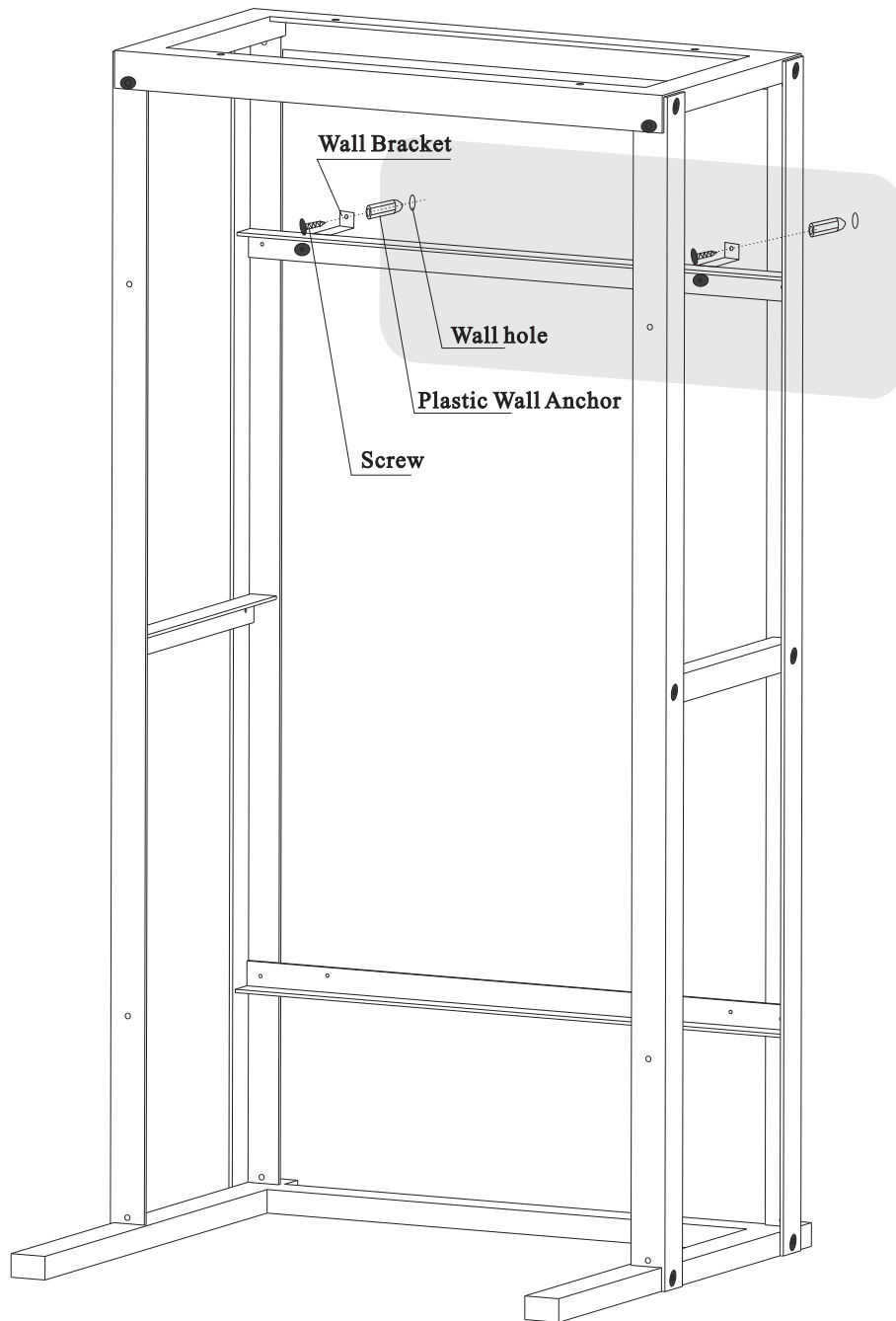


Fig. 5

STEP 6: Dryer Installation

(This stacking bracket is designed to be used with the Avanti Dryer Model D110 only).

As shown in the illustration (Fig. 6):

- a) Remove the (4) leveling legs from the bottom of the dryer.
- b) Lift the dryer and place it on the top portion of the stacking bracket (RECOMMEND TO DO THIS STEP BY AT LEAST 2 PEOPLE).
- c) Align the (4) holes in the top portion of the stacking bracket with the (4) holes where the leveling legs were previously removed.
- d) Install the leveling legs through the underside of the stacking bracket and tighten until secure.

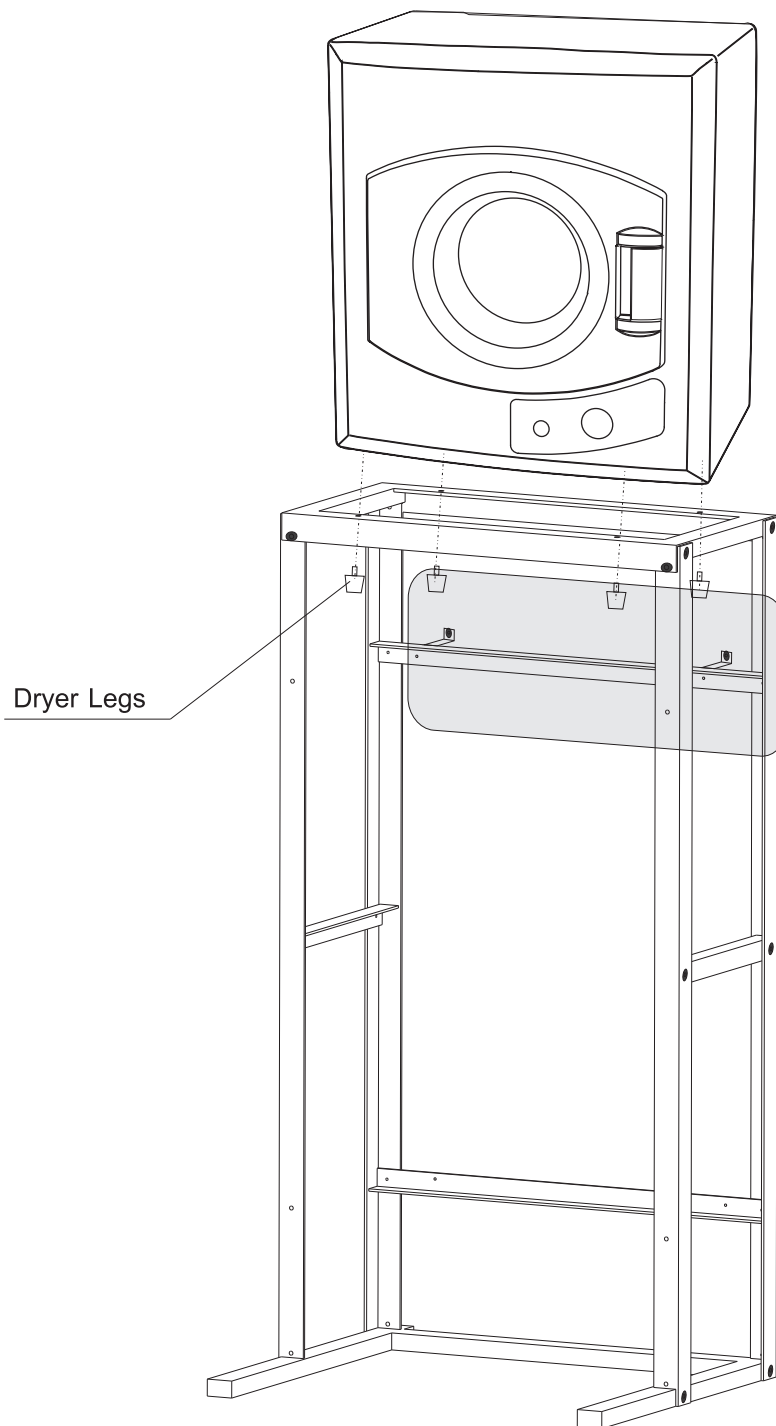


Fig. 6

PRINTED IN CHINA

Registration Information

Thank you for purchasing this fine Avanti product. Please fill out this card and return it within 100 days of purchase and receive these important benefits:

➤ **Protect your product:**

We will keep the model number and date of purchase of your new Avanti product on file to help you refer to this information in the event of an insurance claim such as fire or theft.

➤ **Promote better products:**

We value your input. Your responses will help us develop products designed to best meet your future needs.

------(detach here)-----

Avanti Registration Card

Name

Address

Date Purchased

Store/Dealer Name

City

State

Zip

Occupation

Area Code

Phone Number

As Your Primary Residence, Do You:

Own

Rent

Did You Purchase An Additional Warranty:

Extended

None

Reason For Choosing This Avanti Product:

Please indicate the most important factors that influenced your decision to purchase this product.

Price

Product Features

Avanti Reputation

Product Quality

Salesperson Recommendation

Friend/Relative Recommendation

Warranty

Other _____

Your Age:

under 18 18-25 26-30

31-35 36-50 over 50

Marital Status:

Married Single

Is This Product Used In The:

Home Business

How Did You Learn About This Product:

Advertising

Product Features

In Store Demo

Personal Demo

Other _____

Comments _____



