

# Avanti<sup>®</sup>



## INSTRUCTION MANUAL MANUAL DE INSTRUCCIONES

Model Number: FF100  
No. de Modelo: FF100

DELUXE FROST FREE  
REFRIGERATOR/FREEZER  
(REFRIGERADOR/CONGELADOR)

**CAUTION:**  
BEFORE USE, PLEASE READ AND FOLLOW ALL SAFETY RULES AND OPERATING  
INSTRUCTIONS.

---

Avanti Products, A Division of The Mackle Co., Inc.  
P.O. Box 520604 - Miami, Florida 33152  
[www.avantiproductions.com](http://www.avantiproductions.com)

---

Avanti has a policy of continuous improvement on its products and reserves the right to change material and specifications without notice.

## Warranty Information

Thank you for purchasing this fine Avanti product. Please fill out this card and return it within 100 days of purchase and receive these important benefits:

### Protect your product:

We will keep the model number and date of purchase of your new Avanti product on file to help you refer to this information in the event of an insurance claim such as fire or theft.

### Promote better products:

We value your input. Your responses will help us develop products designed to best meet your future needs.

----- (detach here) -----

### Avanti Registration Card

Name \_\_\_\_\_

Model# \_\_\_\_\_

Serial# \_\_\_\_\_

Address \_\_\_\_\_

Date Purchased \_\_\_\_\_

Store/Dealer Name \_\_\_\_\_

City \_\_\_\_\_

State \_\_\_\_\_

Zip \_\_\_\_\_

Occupation \_\_\_\_\_

Area Code \_\_\_\_\_

Phone Number \_\_\_\_\_

### As Your Primary Residence, Do You:

Own

Rent

### Did You Purchase An Additional Warranty:

Extended  Food Loss  None

### Reason For Choosing This Avanti Product:

Please indicate the most important factors that influenced your decision to purchase this product.

Price

Product Features

Avanti Reputation

Product Quality

Salesperson Recommendation

Friend/Relative Recommendation

Warranty

Other \_\_\_\_\_

### Your Age:

under 18

18-25

26-30

31-35

36-50

over 50

### Marital Status:

Married

Single

### Is This Product Used In The:

Home

Business

### How Did You Learn About This Product:

Advertising

Product Features

In Store Demo

Personal Demo

Other \_\_\_\_\_

Comments \_\_\_\_\_

## HELP US HELP YOU...

### Read this guide carefully.

It is intended to help you operate and maintain your new refrigerator properly.

Keep it handy to answer your questions. If you don't understand something or you need more help, please call:

**Avanti Customer Service**  
**800-220-5570**

Keep proof of original purchase date (such as your sales slip) with this guide to establish the warranty period.



### Write down the model and serial numbers.

You'll find them on a plate located on the bottom outside wall of the refrigerator.

Please write these numbers here:

\_\_\_\_\_  
Date of Purchase

\_\_\_\_\_  
Model Number

\_\_\_\_\_  
Serial Number

Use these numbers in any correspondence or service calls concerning your refrigerator.

If you received a damaged refrigerator, immediately contact the dealer (or builder) that sold you the refrigerator.

Save time and money. Before you call for service, check the Troubleshooting Guide. It lists causes of minor operating problems that you can correct yourself.

## IF YOU NEED SERVICE

We're proud of our service and want you to be pleased. If for some reason you are not happy with the service you receive, here are some steps to follow for further help.

FIRST, contact the people who serviced your refrigerator. Explain why you are not pleased. In most cases, this will solve the problem.

NEXT, if you are still not pleased, write all the details, including your telephone number, and send to:

**Customer Service**  
**Avanti Products**  
**10880 NW 30 Street**  
**Miami, FL 33172**

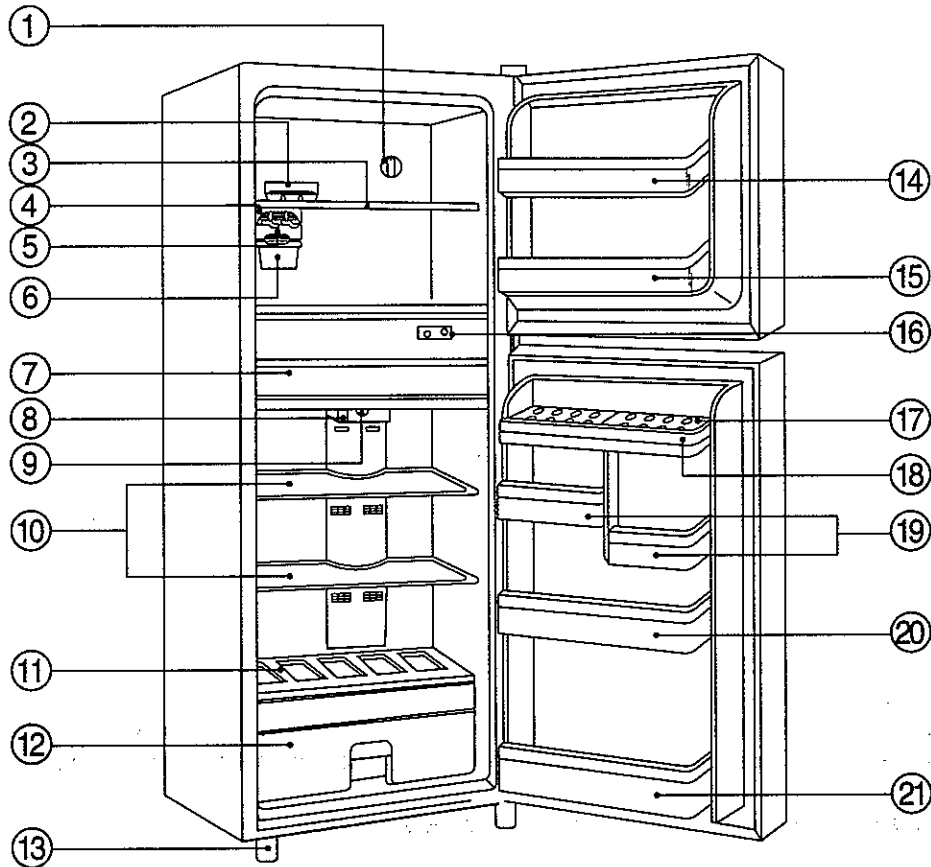
## Table of Contents

Warranty Information and Registration Card .....	2
Help Us Help You .....	3
Parts and Features .....	5
Important Safety Instruction .....	6
Installation Instructions .....	6
Before Using Your Refrigerator .....	6
Installation of Your Refrigerator .....	6
Electrical Connection .....	7
Operating Your Refrigerator .....	8
Temperature Control .....	8
Making ice Cubes .....	8
Care and Maintenance .....	9
Changing Your Light Bulb .....	9
Cleaning Your Refrigerator .....	9
Maintenance of Your Refrigerator .....	9
Vacation Time .....	10
Moving Your Refrigerator .....	10
Energy Saving Tips .....	10
Troubleshooting Guide .....	11
Service For Your Refrigerator .....	12
Your Avanti Products Warranty .....	13
FF100 Wiring Diagram .....	14
SPANISH VERSION .....	15, 16, 17

### CONTENIDO


<p>Información de garantía y tarjeta de registro .....</p> <p>¡Ayúdanos a ayudarte! .....</p> <p>Partes y características .....</p> <p>Instrucciones de seguridad importantes .....</p> <p>Instrucciones de instalación .....</p> <p>    Antes de usar su refrigerador .....</p> <p>    Instalación de su refrigerador .....</p> <p>    Conexión eléctrica .....</p> <p>Operación de su refrigerador .....</p> <p>    Control de temperatura .....</p> <p>Hacer cubitos de hielo .....</p> <p>Cuidado y mantenimiento .....</p> <p>Cambiar su bombillo de luz .....</p> <p>    Limpiar su refrigerador .....</p> <p>    Mantenimiento de su refrigerador .....</p> <p>    Vacaciones .....</p> <p>    Mover su refrigerador .....</p> <p>    Consejos para ahorrar energía .....</p> <p>Guía de solución de problemas .....</p> <p>Servicio para su refrigerador .....</p> <p>Garantía de sus productos Avanti .....</p> <p>Diagrama de cableado FF100 .....</p> <p>VERSIÓN EN ESPAÑOL .....</p>	<p>2</p> <p>3</p> <p>5</p> <p>6</p> <p>6</p> <p>6</p> <p>6</p> <p>7</p> <p>8</p> <p>8</p> <p>8</p> <p>9</p> <p>9</p> <p>9</p> <p>9</p> <p>10</p> <p>10</p> <p>10</p> <p>11</p> <p>12</p> <p>13</p> <p>14</p> <p>15, 16, 17</p>
--	--

## Parts and Features



- |   |                          |
|---|--------------------------|
| ① FREEZER TEMPERATURE CONTROL KNOB      | ⑩ REFRIGERATOR SHELF     |
| ② ICE TRAY                              | ⑪ CRISPER COVER          |
| ③ FREEZER SHELF                         | ⑫ CRISPER                |
| ④ ICE HOLDER ASSEMBLY                   | ⑬ ADJUSTABLE FOOT        |
| ⑤ ICE CASE FRAME ASSEMBLY               | ⑭ FREEZER BIN (MED)      |
| ⑥ ICE BOX                               | ⑮ FREEZER BIN (LG)       |
| ⑦ CHILLER ROOM                          | ⑯ DOOR LIGHT SWITCH      |
| ⑧ LAMP COVER                            | ⑰ EGG TRAY               |
| ⑨ REFRIGERATOR TEMPERATURE CONTROL KNOB | ⑱ EGG CONTAINER          |
|   | ⑲ REFRIGERATOR BIN (SM)  |
|   | ⑳ REFRIGERATOR BIN (MED) |
|   | ㉑ REFRIGERATOR BIN (LG)  |

## Important Safety Instructions

 <b>WARNING</b> ⚡	To reduce the risk of fire, electrical shock, or injury when using your refrigerator, follow these basic precautions:
<ul style="list-style-type: none"><li>• Read all instructions before using the refrigerator.</li><li>• <b>DANGER or WARNING:</b> Risk of child entrapment.</li><li>• Child entrapment and suffocation are not problems of the past. Junked or abandoned appliances are still dangerous... even if they will "just sit in the garage a few days."</li><li>• <b>Before you throw away your old refrigerator or freezer :</b> Take off the doors. Leave the shelves in place so that children may not easily climb inside.</li><li>• Never allow children to operate, play with, or crawl inside the refrigerator.</li><li>• Never clean refrigerator parts with flammable fluids. The fumes can create a fire hazard or explosion.</li><li>• Do not store or use gasoline or any other flammable vapors and liquids in the vicinity of this or any other refrigerator. The fumes can create a fire hazard or explosion.</li></ul> <p style="text-align: center;">- Save these instructions -</p>	

## INSTALLATION INSTRUCTIONS

### \* Before Using Your Refrigerator

- Remove the exterior and interior packing.
- Check to be sure you have all of the following parts:
  - Twist Ice maker.
  - 1 Ice cube container.
  - 2 Egg cases.
- Before connecting the refrigerator to the power source, let it stand upright for approximately 2 hours. This will reduce the possibility of a malfunction in the cooling system from handling during transportation.
- Clean the interior surface with lukewarm water using a soft cloth.

### \* Installation of Your Refrigerator

- This appliance is designed to be free standing only, and should not be recessed or built-in.
- Place your refrigerator on a floor that is strong enough to support the refrigerator when it is fully loaded. To level your refrigerator, adjust the legs at the front of the refrigerator.
- Allow 6 inches of space between the walls and the refrigerator, which allows the proper air circulation to cool the compressor.
- Locate the refrigerator away from direct sunlight and sources of heat (stove, heater, radiator, etc.). Direct sunlight may affect the acrylic coating and heat sources may increase electrical consumption. Extreme cold ambient temperatures may also cause the refrigerator not to perform properly.
- Avoid locating the refrigerator in moist areas.
- Plug the refrigerator into an exclusive, properly installed grounded wall outlet. Do not under any circumstances cut or remove the third (ground) prong from the power cord. Any questions concerning power and or grounding should be directed toward a certified electrician or an authorized Avanti Products service center.
- After plugging the appliance into a wall outlet, allow the unit to cool down for 2-3 hours before placing food in the freezer or refrigerator compartment.

**\* Electrical Connection**

**Warning**

Improper use of the grounded plug can result in the risk of electrical shock. If the power cord is damaged, have it replaced by an authorized Avanti Products service center.

The refrigerator should be properly grounded for your safety. The power cord of this refrigerator is equipped with a three-prong plug which mates with standard three prong wall outlets to minimize the possibility of electrical shock.

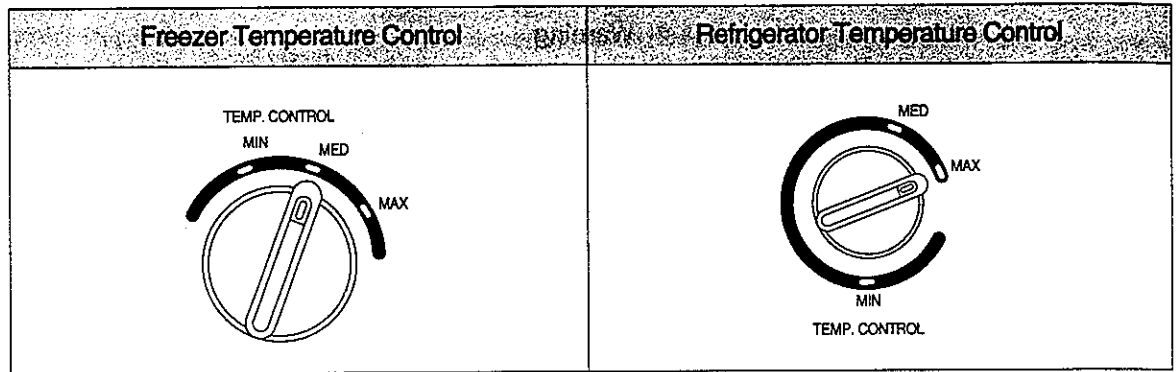
Do not under any circumstances cut or remove the third ground prong from the power cord supplied.

Use of extension cords is not recommended.

This refrigerator requires a standard 115/120-volt, 60Hz electrical outlet with three-prong ground. The cord should be secured behind the refrigerator and not left exposed or dangling to prevent accidental injury.

Never unplug the refrigerator by pulling the power cord. Always grip the plug firmly and pull straight out from the receptacle.

## OPERATING YOUR REFRIGERATOR



<b>MIN</b>	When ambient Temp. is below 15°C or 59°F
<b>MED</b>	When ambient Temp. is between 15-25°C or 59-77°F
<b>MAX</b>	When ambient Temp. is above 25°C or 77°F

### \* Setting the Temperature Control

- To control the internal temperature, adjust the control dial according to the ambient temperature or purpose of use.
- The first time you turn the unit on, set the temperature control to "MAX".
- The range of the temperature control is from position "MIN" the warmest to "MAX" the coldest. After 24 to 48 hours, adjust the temperature control to the setting that best suits your needs. The setting of "MED" should be correct for home or office refrigerator use.

### **NOTE:**

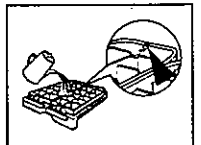
- If the unit is unplugged, power lost, or turned off; you must wait 3 to 5 minutes before restarting the unit. If you attempt to restart before this time delay, the refrigerator will not start.

## MAKING ICE CUBES

The freezer contains an ice cube tray with a special device enabling you to get the cubes out the tray more easily.

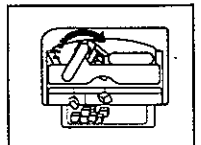
### \* Making Ice Cubes

- Remove the ice cube tray.
- Fill the tray with water up to the maximum water level marked on the rear of the tray.
- Slide the tray back into the holder, taking care not to spill the water.
- Wait until the ice cubes are formed.



### \* Removing the Ice Cubes

- Make sure that the ice cube storage bin is in place under the ice cube tray. If not, slide it into place.
- Twist on of the levers firmly in the clockwise direction until the tray twists slightly.
- The ice cubes fall into the storage bin.
- Repeat for the other half of the tray, if necessary.





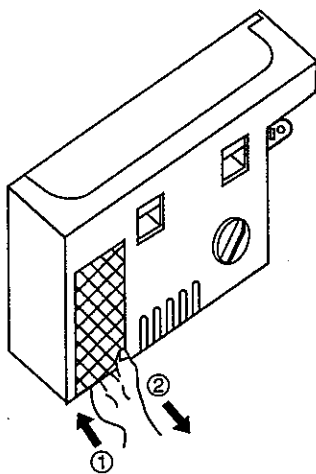
## CARE AND MAINTENANCE

### \* Defrosting

You will never have to defrost your refrigerator as it is designed to do it automatically. The defrosted water drains into the evaporator tray located in the backside. You should clean the tray only when needed. To get to the evaporator tray, remove the screws holding the plastic back cover located in the rear (bottom).

### \* Cleaning Your Refrigerator

- Turn the temperature control to "MIN", unplug the refrigerator, and remove the food, shelves, and trays.
- Wash the inside surfaces with a warm water and baking soda solution. The solution should be about 2 tablespoons of baking soda to a quart of water.
- Wash the shelves and trays with a mild detergent solution.
- The outside of the refrigerator should be cleaned with mild detergent and warm water.
- Wring excess water out of the sponge or cloth when cleaning area of the controls, or any electrical parts.
- Wash the outside cabinet with warm water and mild liquid detergent. Rinse well and wipe dry with a clean soft cloth.
- The condenser coils should be vacuumed when they are dusty or dirty.



FF100

### \* CHANGING THE LIGHT BULB

Before removing the light bulb, either unplug the refrigerator or disconnect the electricity leading into the refrigerator at the main power supply. Failure to do so could result in electrical shock or personal injury.

- Remove the light cover by pushing up gently and out on the two bottom ends of the plastic cover.
- Unscrew the bulb.
- Replace with a 15 watt-refrigerator bulb that is the same shape and size.
- Replace the light bulb cover.

\* **Vacation Time**

- **Short vacations:** Leave the freezer operating during vacations of less than three weeks.
- **Long vacations:** If the appliance will not be used for several months, remove all food and unplug the power cord. Clean and dry the interior thoroughly. To prevent odor and mold growth, leave both doors open slightly: blocking it open if necessary.

\* **Moving Your Refrigerator**

- Remove all the food.
- Securely tape down all loose items inside your refrigerator.
- Turn the leveling screws up to the base to avoid damage.
- Tape the doors shut.
- Be sure the refrigerator stays secure in the upright position during transportation. Also protect outside of refrigerator with a blanket, or similar item.

\* **Energy Saving Tips**

- The refrigerator should be located in the coolest area of the room, away from heat producing refrigerator or heating ducts, and out of the direct sunlight.
- Let hot foods cool to room temperature before placing in the refrigerator. Overloading the refrigerator forces the compressor to run longer. Foods that freeze too slowly may lose quality, or spoil.
- Be sure to wrap foods properly, and wipe containers dry before placing them in the refrigerator.
- Refrigerator storage bin should not be lined with aluminum foil, wax paper, or paper toweling. Liners interfere with cold air circulation, making the refrigerator less efficient.
- Organize and label food to reduce door openings and extended searches. Remove as many items as needed at one time, and close the door as soon as possible.

## PROBLEMS WITH YOUR REFRIGERATOR?

You can solve many common refrigerator problems easily, saving you the cost of a possible service call. Try the suggestions below to see if you can solve the problem before calling the servicer.

### TROUBLESHOOTING GUIDE

PROBLEM	POSSIBLE CAUSE
Refrigerator does not operate.	Not plugged in. The home circuit breaker or fuse has tripped.
Turns on and off frequently.	The room temperature is hotter than normal. A large amount of food has been added to the refrigerator. The door is open too often. The door is not closed completely. The temperature control is not set correctly. The door gasket does not seal properly. The refrigerator does not have the correct clearances.
The light does not work.	The home circuit breaker or fuse has tripped. The refrigerator is unplugged. The bulb has burned out (see the maintenance section for the replacement procedure).
Vibrations.	Check to assure that the refrigerator is level.
The refrigerator seems to make too much noise.	The rattling noise may come from the flow of the refrigerant, which is normal. As each cycle ends, you may hear gurgling sounds caused by the flow of refrigerant in your refrigerator. Contraction and expansion of the inside walls may cause popping and cracking noises. The refrigerator is not level.
The door will not close properly.	The refrigerator is not level. The gasket is dirty. The shelves, bins, or baskets are out of position.

## SERVICE FOR YOUR REFRIGERATOR

We are proud of our customer service organization and the network of professional service technicians that provide service on your Avanti refrigerators. With the purchase of your Avanti refrigerator, you can have the confidence that if you ever need additional information or assistance, the Avanti Products Customer Service team will be here for you. Just call us toll-free.

### AVANTI PRODUCTS CUSTOMER SERVICES

<b>Product Information</b> 800-323-5029	Whatever your questions are about our products, help is available.
<b>Part Orders</b> 800-220-5570	You may order parts and accessories that will be delivered directly to your home. You may order these items by personal check, money order, Master Card, or Visa.
<b>In-Home Repair Service</b> 800-220-5570	An Avanti Products authorized service center will provide expert repair service, scheduled at a time that is convenient for you. Our trained servicers know your refrigerator inside and out.

**YOUR Avanti Products WARRANTY**

**Staple your sales receipt or cancelled check here. Proof of original purchase date is needed to obtain service under warranty.**

**WHAT IS COVERED****LIMITED ONE-YEAR WARRANTY**

For one year from the date of purchase by the original owner, Avanti Products will, at its option, repair or replace any part of the refrigerator which proves to be defective in material or workmanship under normal use. During this period Avanti Products will provide all parts and labor necessary to correct such defects free of charge, so long as the refrigerator has been installed and operated in accordance with the written instructions in this manual. In rental or commercial use, the warranty period is 90 days.

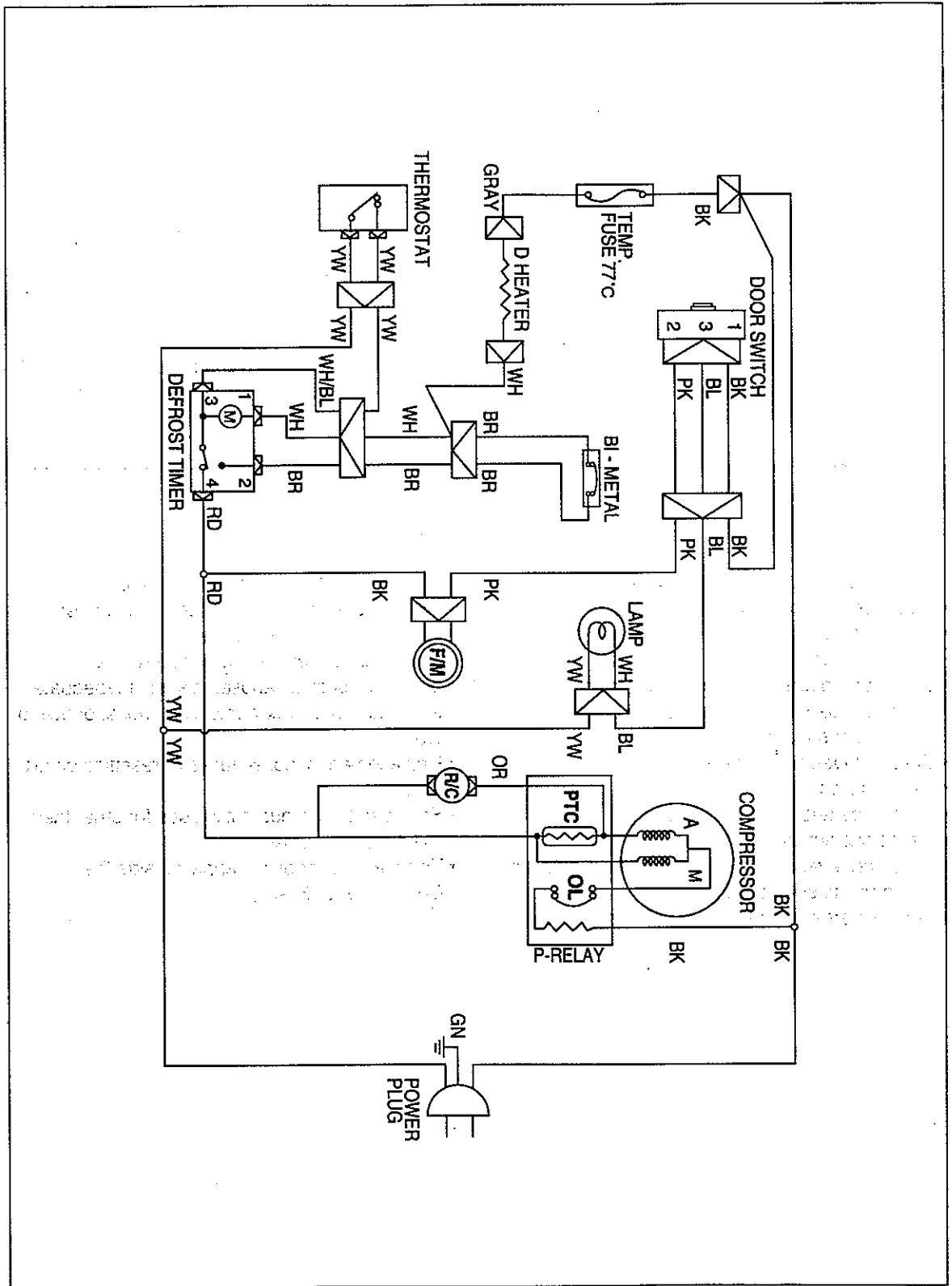
**LIMITED SECOND THROUGH FIFTH YEAR WARRANTY**

For the second through the fifth year from date of original purchase, Avanti Products will provide a replacement compressor free of charge due to a failure. You are responsible for the service labor and freight charges. In rental or commercial use, the limited compressor warranty is one year and nine months. Costs to move the refrigerator to the servicers' shop and back to the user's home, as may be required, are the user's responsibility.

**WHAT IS NOT COVERED**

- Content losses of food due to spoilage.
- Incidental or consequential damages.
- Parts and labor costs for the following will not be considered as warranty:
  - Evaporator doors, door springs, and/or frames.
  - Inner door panels, door shelves, door rails, and/or door supports.
  - Chest refrigerator lid liners.
  - Vegetable crispers.
  - Light bulbs and/or plastic housing.
  - Plastic cabinet liners.
  - Punctured evaporator that voids the warranty on the complete sealed system.
  - Repairs performed by unauthorized servicers.
- Service calls that do not involve defects in material or workmanship such as customer education, or proper installation.
- Service calls that are related to external problems, such as abuse, misuse, inadequate electrical power, accidents, fire, floods, or acts of God.
- Replacement of house fuses or resetting circuit breakers.
- Failure of the product if it is used for other than its intended purpose.
- This warranty does not apply outside the Continental U. S. A.,

# Wiring Diagram



### **\* INSTRUCCIONES PARA LA CONECCION A TIERRA**

Este aparato electrodoméstico debe estar conectado a tierra. En caso de un cortocircuito eléctrico, la conexión a tierra reduce el riesgo de choque eléctrico proporcionando un cable de escape para la corriente eléctrica. Este aparato viene equipado con un cordón que posee un cable a tierra con un enchufe de conexión a tierra. Este enchufe debe estar conectado en un tomacorriente instalado correctamente y conectado a tierra.

### **\* ADVERTENCIA**

El uso inadecuado del enchufe de conexión a tierra puede resultar en un riesgo de choque eléctrico. Consulte con un electricista si no comprende bien las instrucciones de conexión a tierra o si existe alguna duda sobre si el aparato está conectado a tierra correctamente.

### **\* NO USE UN CORDON DE EXTENSION ELECTRICA**

Use un tomacorriente de pared exclusivo. No conecte su refrigerador a cordones de prolongación eléctrica o junto a cualquier otro electrodoméstico en el mismo tomacorriente de pared.

### **\* ADVERTENCIA IMPORTANTE:**

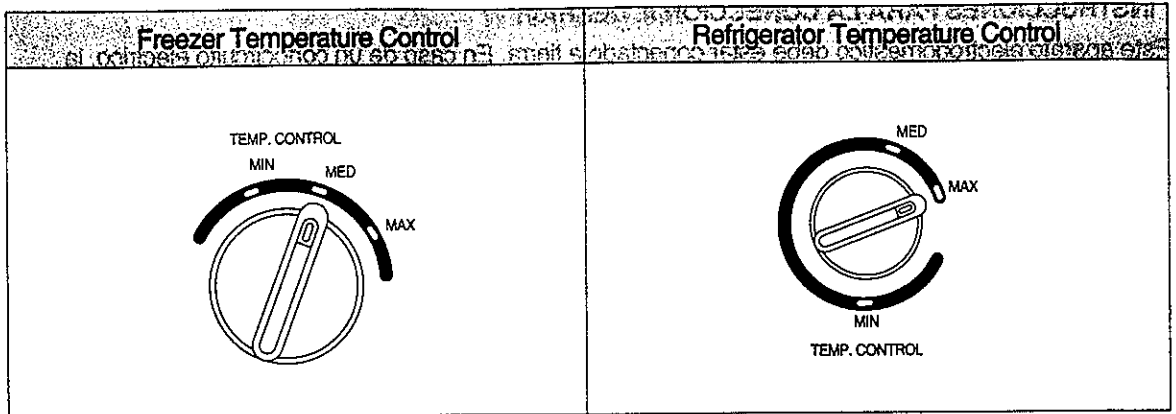
Un refrigerador vacío es una atracción muy peligrosa para los niños. Quite los sellos magnéticos, puertas o cerraduras de todo electrodoméstico que no esté en uso.

### **\* INSTALACION**

Retire los accesorios de empaque (plásticos protectores, cartón y tiras engomadas). Limpie el exterior con un trapo suave y seco, y el interior con un trapo húmedo y tibio.

### **\* UBICACION**

1. Seleccione un lugar con un piso firme y nivelado.
2. Su refrigerador requiere ventilación. Deje un espacio mínimo de 6" hacia arriba y espacio suficiente en el respaldo para permitir la circulación de aire.
3. Evite luz directa del sol o calor. La luz directa del sol puede afectar la capa de pintura. Las fuentes de calor en su proximidad causarán un consumo mayor de electricidad.
4. Para un mejor desempeño, nivele el refrigerador utilizando las patas ajustables o tornillos niveladores. Para verificar el nivel, abra la puerta hasta la mitad, debe regresar sola.



MIN	When ambient Temp. is below 15°C or 59 °F
MED	When ambient Temp. is between 15-25°C or 59-77°F
MAX	When ambient Temp. is above 25°C or 77°F

#### \* OPERACION

Para evitar vibraciones, la caja debe estar bien nivelada. Para encender el refrigerador, gire el control de temperatura a la posición que corresponda al enfriamiento deseado. Bajo condiciones normales mueva el control a la posición "MAX". De otra manera ajuste la temperatura siguiendo las indicaciones señaladas en el gráfico de arriba.

#### \* USO DE LAS CUBETERAS DE HIELO

- Llene la bandeja de cubitos de hielo con agua hasta el nivel señalado (3/4 de la altura) y colóquela en el espacio designado.
- Asegúrese que la cubetera de guardar los cubitos de hielo está situada debajo de la bandeja.
- Espere a que se formen los cubitos de hielos.
- Tuerce una de las palancas en el sentido de las agujas del reloj y deje el hielo caer en la cubetera abajo. Cuando limpie la bandeja de hielos, suelte la palanca y volverá a la posición original.

**Nota:** Para obtener hielos se recomienda que Ud espere una hora mínimo con la posición del congelador en temperatura (MAX).

#### \* CUIDADOS EN LOS PERIODOS DE AUSENCIA

- Para cortos períodos de ausencia (menos de 21 días) el congelador podrá quedar funcionando. Coloque el botón de control de temperaturas en la posición mínima.
- En períodos de ausencia más largos, se aconseja dejar el refrigerador limpio y desconectado.
- Retire todo lo que tenga adentro del refrigerador y haga el deshielo y la limpieza general. También retire las cubeteras, limpie bien y séquelas internamente.
- Deje la puerta entreabierta para que penetre el aire y así evitar la formación de olores.



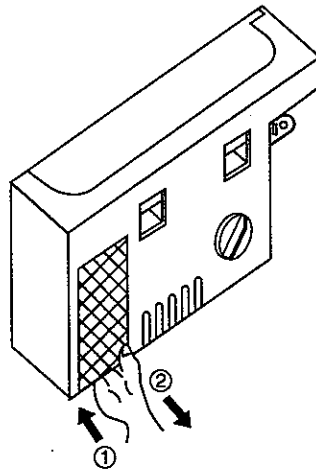
### \* ECONOMIA DE ENERGIA

- Evite dejar por mucho tiempo la puerta abierta.
- Evite aperturas frecuentes de la puerta.
- Nunca coloque alimentos calientes dentro del refrigerador. Espere que estén a una temperatura ambiental.
- Coloque el botón de control de temperaturas en la posición adecuada.

### \* REEMPLAZANDO LA BOMBILLA

Antes de cambiar la bombilla, desconecte el refrigerador de la pared.

1. Cambie la bombilla primero empujando hacia arriba la parte inferior de la capa plástica como muestra el gráfico.
2. Reemplace la bombilla con una equivalente de 15 watts.
3. Vuelva a colocar la capa plástica.



FF100

### \* SI USTED SE VA DE VACACIONES

- Saque todos los artículos del refrigerador-congelador si Ud. se va de vacaciones por un mes o más.
- Desconecte el refrigerador del tomacorriente y limpie el refrigerador bien, incluyendo la bandeja del congelador.
- Deje la puerta abierta para evitar la formación de olores, condensación o moho.

### \* SI USTED SE MUDA

- Desconecte el refrigerador del tomacorriente y limpie el refrigerador bien, incluyendo la bandeja del congelador.
- Saque todas las partes móviles y empaquételas para que no se muevan durante la transportación.
- Cierre la puerta del refrigerador y séllela con cinta adhesiva.
- Asegúrese que el refrigerador va parado durante el viaje y cúbralo con una frazada.