

Avanti

AVANTI PRODUCTS DIVISION OF THE MACKLE CO., INC.
P.O. BOX 520604 - MIAMI FLORIDA 33152

USER'S GUIDE DOUBLE DOOR REFRIGERATOR

Record serial number and model number of this
appliance in space provided below

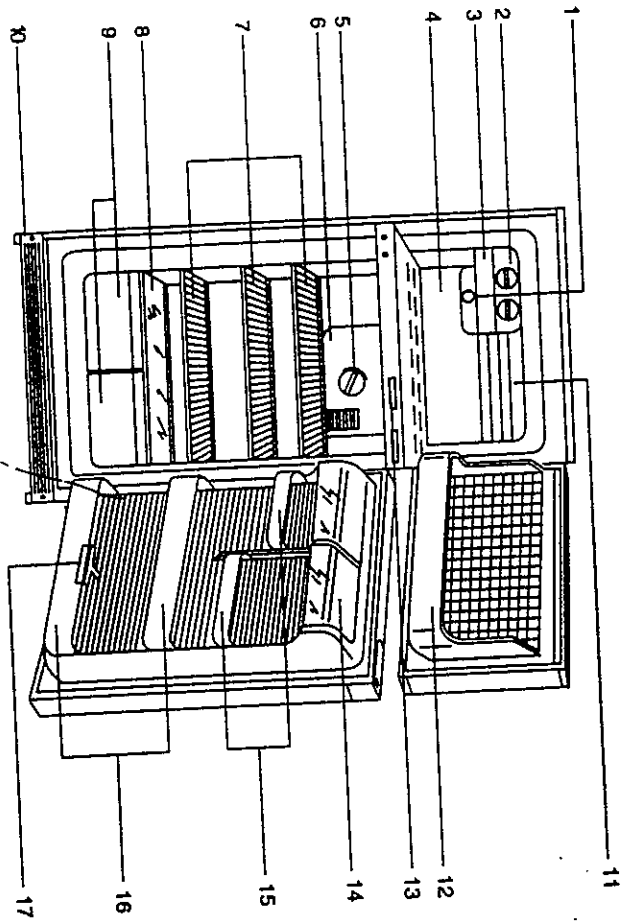
Serial Number — 2772

Model Number — FF10Y

Retain these numbers for reference



FEATURES LOCATION



- 1- Temperature control dial to freezer compartment
- 2- Ice tray
- 3- Ice cube box
- 4- Freezer compartment
- 5- Temperature control dial for fresh food compartment
- 6- Fresh food compartment
- 7- Adjustable shelves
- 8- Transparent shell
- 9- Clear view crispers
- 10- Kick panel
- 11- Freezer cover
- 12- Freezer door guard
- 13- Cooling fan switch
- 14- Cheese/Butter compartment
- 15- Adjustable door guard
- 16- Bottle guard
- 17- Bottle separator

INSTALLATIONS

To use refrigerator with the best efficiency and safely select suitable place to install refrigerator according to the following:

- 1-This refrigerator is designed for free standing installation only and should not be recessed nor built in.
- 2-Refrigerator should be installed on strong, level floor. If the floor is not quite level, adjust refrigerator feet.
- 3-Allow 5 inches of space between refrigerator back and wall behind.
- 4-Avoid any direct light, heat and humid atmosphere.

INITIAL OPERATION

Before using refrigerator, clean it and make test run. All of the following should be satisfied when tested in the following order. If not, check electricity supply. When cause of trouble cannot be located, contact your dealer.

- 1-Place all shelves and other accessories in their proper positions, make sure these items have been secured.
- 2-Clean refrigerators and parts to remove dust incurred in shipping and packing.
- 3-Interior lamp should light when refrigerator door is opened.
- 4-Set cold control knob at-MAX-position and let refrigerator operate for 1 hour. Freezer compartment should get slightly chilled and motor should run smoothly with no noise other than a low hum.
- 5-Store food after the temperature in the refrigerator gets sufficiently low. After starting the refrigerator, it takes a few hours to reach the proper temperature.

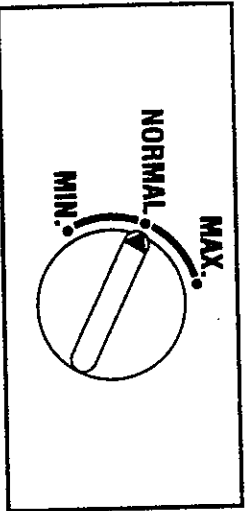
TEMPERATURE CONTROL

1. TEMPERATURE OF FREEZER COMPARTMENT

For most efficient use, adjust the dial according to freezer usage.

- MAX** : For quick ice-making and food freezing
- NORMAL** : For normal use and for storing frozen food for a long time
- MIN** : For storing ice cube and to save electricity.

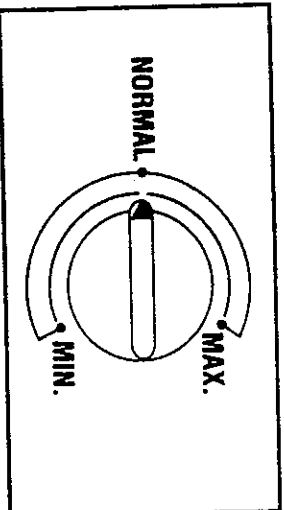
If the dial is left to "MAX" in hot season, the cold air will be used mainly for cooling the freezer compartment. So the temperature of fresh food compartment will not get down enough. After achieving your desired temperature, adjust the dial to previous setting.



2. TEMPERATURE OF FRESH FOOD COMPARTMENT

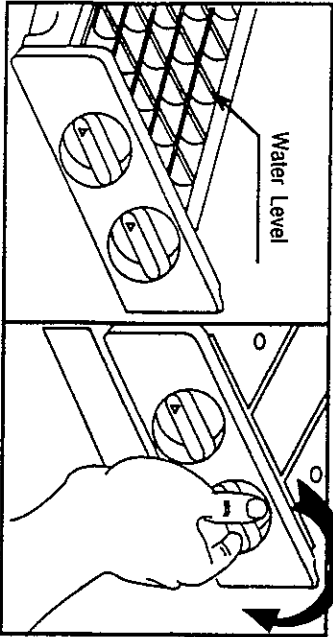
Adjust the dial to "NORMAL" if the temperature of the fresh food compartment is too warm or too cold, adjust the dial. It is not necessary for you to re-adjust the dial after you find the proper setting.

- MAX** : For a colder refrigerator.
- NORMAL** : For normal use.
- MIN** : For a warmer refrigerator.



ICE MAKING

- 1-Please fill the ice tray with water. Do not overfill. Replace the tray in the track provided.
- 2-The ice tray is specially designed to remove the ice cubes by turning the knob clockwise.
- 3-The pieces of ice will fall into the ice box.
- 4-Remove the tray compartment and refill following the directions shown below.

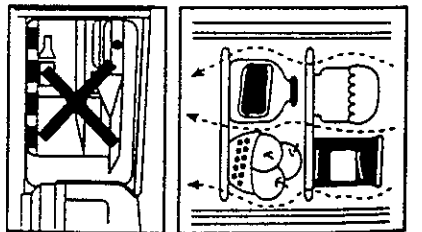
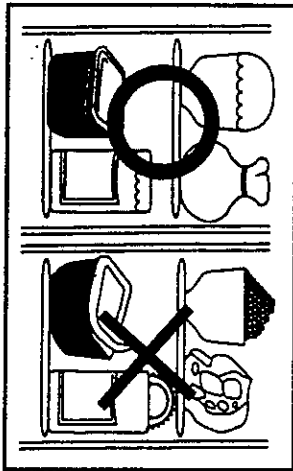


The ice tray and water level.

Turn the knob clockwise to release ice cubes.

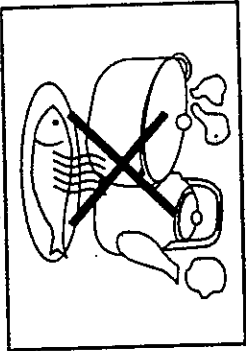
FOOD STORAGE

- Leave proper spaces among food items to keep air circulating.
- Be sure not to store bottles, such as beer, sodas, etc in the freezer compartment.
- When you store juice items, wrap them with plastic trim or put them in an airtight receptacle.
- If planning to keep fresh fish and meats for a long period, wrap them with plastic film, and store in the freezer compartment.



TO SAVE MONEY

- Cover moist foods with air tight lids, plastic containers or wrapped in plastic film.
- Do not overload your refrigerator or freezer with a lot of warm food at one time.
- Open the door the fewest times possible to save energy.
- When out of town for several days, leave as few perishables as possible in the refrigerator. If no perishables such as milk and eggs are left, turn controls to a warmer setting.



Allow warm foods to cool prior to storage in refrigerator.

DEFROSTING

- You never need to defrost both compartments. The frost on the evaporator, which is hidden under the freezer compartment, is melted away automatically by the action of the defrosting heater.
- The defrosted water drains into the evaporating tray and evaporates automatically.

CAUTIONS FOR OPERATION

- This refrigerator is not suitable for storing scientific material or medicines.
- Handle the power cord carefully. A damaged power cord will cause troubles such as fire or a short circuit. When moving your refrigerator away from the wall, be careful not to roll over or damage the power cord.
- Do not let the power cord touch the hot parts at the back of the refrigerator. Do not wind or bundle the power cord, it will overheat. When you pull out the power cord from the wall outlet, grasp the plug and pull it straight forward. If you pull the cord, the cord and plug could be damaged.
- Wait more than five minutes to re-start the refrigerator after you stop it once.

If you plug in the refrigerator immediately after you pull the plug, you may not be able to start the refrigerator.

FOR YOUR SAFETY

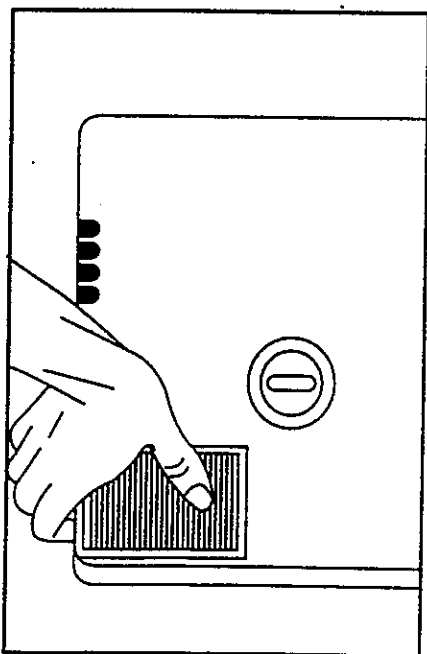
- For personal safety, this appliance must be properly grounded.
- The refrigerator should always be plugged into its own individual electrical outlet. This is recommended for best performance and to prevent overloading house wiring circuits, which could cause a fire.
- Do not put volatile chemicals such as ether and benzene in the refrigerator, because there is a possible danger of explosion.
- Do not use flammable sprays such as lacquer and paint near the refrigerator, because there is a danger of igniting.

THESE ARE NOT DEFECTS

- When the refrigerating unit stops, the flow of the refrigerant may make a sound. This is the sound of the refrigerant flowing in the refrigerant unit.

CHANGING THE LAMP

- 1-Pull out the power plug when the lamp is to be replaced.
- 2-Remove the lamp cover as shown below.
- 3-Replace the lamp with a new one.



SERVICE INFORMATION

IF YOU THINK YOUR REFRIGERATOR OR FREEZER IS NOT OPERATING PROPERLY, CHECK THE FOLLOWING BEFORE CALLING YOUR AUTHORIZED SERVICE AGENCY OR DEALER. THIS MAY SAVE YOU TIME AND THE EXPENSE OF A SERVICE CALL.

- 1- If refrigerator/freezer is not operating.
 - Is there electrical power to equipment?
 - Is home fuse box or circuit breaker off?
 - Is refrigerator/freezer control on?
 - Is your condenser clean?
- 2- If refrigerator/freezer is warmer than usual:
 - Is control set properly?
 - Has door been open too long?
 - Have you recently added a large quantity of food?
- 3- If there are unusual noises:
 - Is unit properly leveled?
 - Is foreign object touching circulating fans?
 - Is shelving loose inside unit?

CARE AND CLEANING

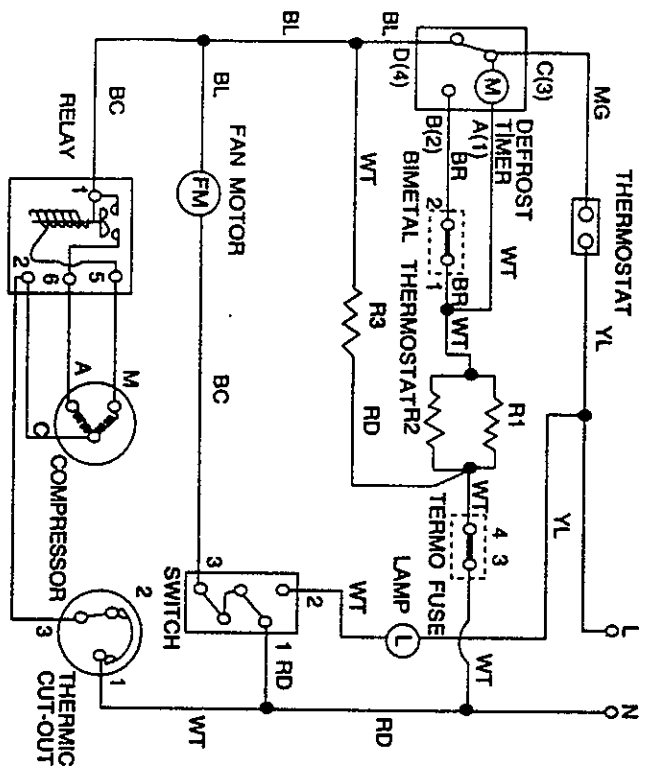
Cleaning Inside-Outside

Unplug the refrigerator and remove food, shelves and trays. Wash inside with warm water and baking soda solution-about two tablespoons of baking soda to a quart of water. Then rinse and dry.

Don't use Cleaners such as soaps, detergents, scouring powder or spray cleaners-they may cause odors inside the refrigerator.
Wash ice cube trays, drip tray and shelves in mild detergent solution and dry with a soft cloth.
To help prevent odors, leave an open box of baking soda in the rear of the refrigerator, on the shelf.
Change the box every three months.
Wipe outside of the refrigerator with a soft cloth or appliance cleaner, dampened with soapy water. Use only mild, soapy water to clean the door gasket.
Never use acids, chemical thinner, gasoline, benzine or the like for cleaning any part of the refrigerator. Boiling water or benzine may deform or damage plastic parts.
Do not wash any plastic parts from your refrigerator in your automatic dishwasher.

IF YOU NEED SERVICE

- 1-Take necessary steps to preserve food in unit.
- 2-Door should be left closed as much as possible until unit is back in service.
- 3-Please have model and serial number available. The model and serial number are located inside the refrigerator.
- 4-Call nearest dealer or service agency.



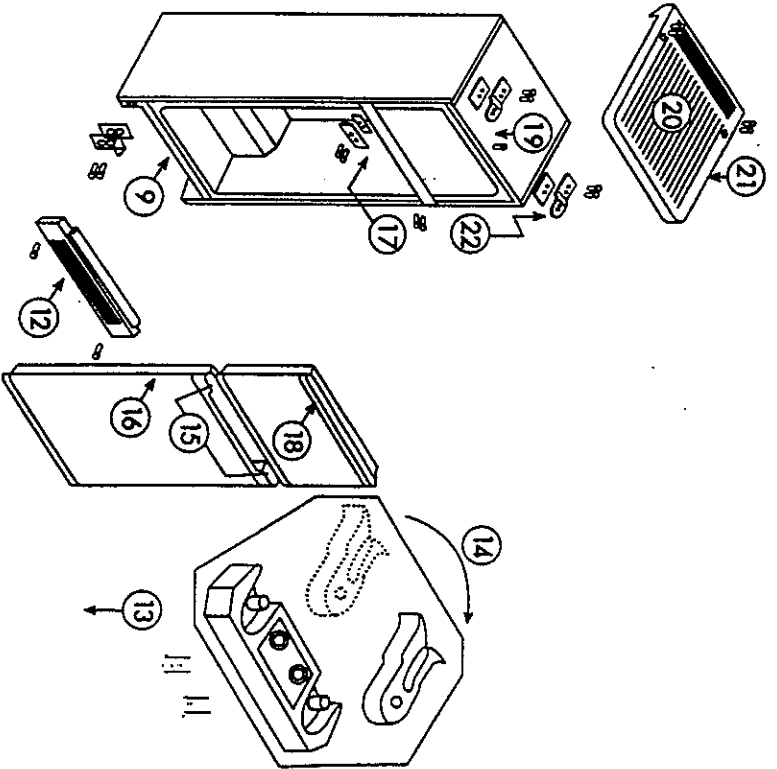
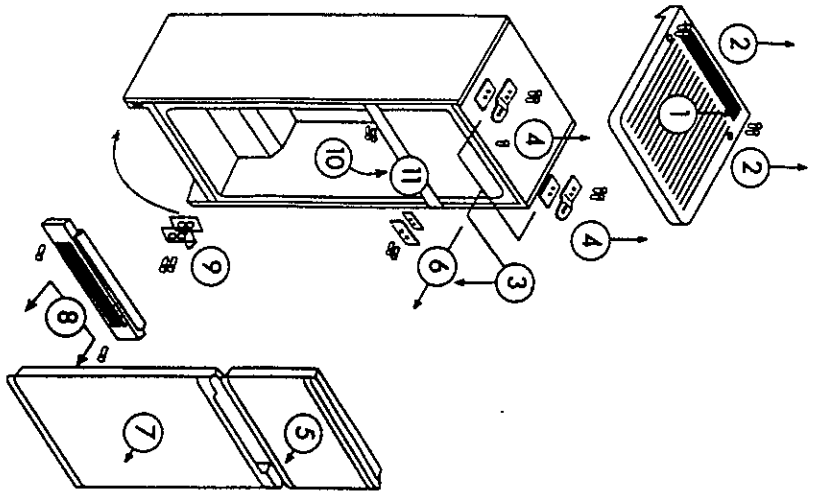
- YL : Yellow
- MG : Violet (Purple)
- WT : White
- RD : Red
- BR : Brown
- BL : Blue
- BC : Black
- R1 : Resistance - Evaporator
- R2 : Resistance - Drip tray
- R3 : Resistance - Upper water drainer

CHANGING REVERSIBLE DOORS

This refrigerator has been built with the door hinges on the right. If you wish to change the opening direction, follow instructions below.

- 1-Remove the upper rounded top (1). Using a sharp object, pry out the 2 plug buttons and remove the 2 Phillips screws (2). Remove the 2 Phillips screws (3) which connect the upper hinges to the upper rounded top and place it on a padded surface to prevent scratching.
- 2-Remove the bolts (4) of the upper hinge. Carefully lift the freezer door (5) and place it on a padded surface to prevent scratching.
- 3-Remove the Phillips screws (6) of the middle hinge. Carefully lift the refrigerator door (7) and place it on a padded surface to prevent scratching. Save the parts removed for future use.
- 4-Remove the kick plate (8) by taking out the screws at each side of it with a Phillips screwdriver.
- 5-Remove the lower hinge (9) from the right side and transfer it to the left end.
- 6-Using a sharp object, pry out the plug buttons (10) of the middle hinge holes. Press them into the opposite corner (11).
- 7-Fit the kick plate (12) into its place.

- 8-Remove the lock body screws (13) and the plug buttons on the freezer door. Fit the locking part (14) on the lock body to the other side. Mournth the lock body (15) in its new place and press the plug buttons into the holes.
- 9-Set the refrigerator door (16) to its place making sure the hinge pin enters the bushing in the door bottom section.
- 10-While holding the refrigerator door in the closed position, loosely secure the middle hinge (17) using the screws removed in STEP 3.
- 11-Set the freezer door (18) to its place making sure the hinge pin enters the bushing in the door bottom section.
- 12-While holding the freezer door in the closed position, loosely secure the upper hinge (19) using the bolts removed in STEP 2.
- 13-Before tightening these bolts, make sure the top of the door is level with the cabinet top, and the space between the doors is equidistant across the entire front. Avoid over-tightening these bolts. Tighten both until they are just snug, then turn another one-half turn.
- 14-Replace the upper rounded top (20).
- 15-Tighten the upper rounded top screws and press the plug buttons (21).
- 16-Fit and tighten the screws (22) which connect the upper hinges to the upper rounded top.



10

REFRIGERATOR AND FREEZER PRODUCT WARRANTY

FULL ONE YEAR WARRANTY

For the first year after purchase and use within the continental United States by the original consumer, Avanti Products, Inc. will at its option, repair or replace any part of the AVANTI Refrigerator or Freezer which proves to be defective in material or workmanship under normal use. In commercial or rental application the warranty period is ninety (90) days. During this period Avanti Products will provide all parts and labor necessary to correct such defects, free of charge, so long as the appliance has been installed and operated in accordance with the written instructions furnished with the appliance. The customer will be responsible for cost of service calls resulting from problems considered Normal Responsibilities of User (See paragraph entitled)

LIMITED SECOND THROUGH FIFTH YEAR COMPRESSOR WARRANTY

For the second through fifth years of use, Avanti

Products will make available a replacement compressor as may be required due to failure. In commercial or rental use, this additional limited compressor warranty is one (1) year and nine months. Any and all labor charges for determination of cause of failure, installation of the replacement compressor and transportation / handling charges for shipment of the replacement compressor will be the responsibility of the user. Cartage charges for moving the appliance to a service shop (as may be required) and back to the user's home will also be the user's responsibility.

EXCLUSION

Avanti Products shall not be responsible for content losses, incidental or consequential damages resulting from the failure of the product to conform to any express or implied warranty. In addition, Avanti Products is not responsible for service calls which do not involve defects in material or workmanship or other external causes such as abuse, misuse, inadequate power supply or Acts of God. Therefore, cost of replacement or repair of the following items, parts or labor, will not be considered warranty repairs:

- 1- Evaporator doors.
- 2- Evaporator door springs and / or frames.
- 3- Inner door panels (includes plastic door shelves) and chest freezer lid liners.
- 4- Door shelf rails and / or supports.
- 5- Vegetable crisper.

- 6- Vegetable crisper covers (glass or plastic).
 - 7- Light bulbs and/or plastic housing.
 - 8- Plastic cabinet liners.
 - 9- Punctured evaporators which will void the warranty on the complete refrigerating system, i.e. compressor, condenser, evaporator and related tubing.
- This warranty does not apply in Hawaiian Island, U.S. Virgin Islands, Puerto Rico and/or any foreign country.

NORMAL RESPONSIBILITIES OF USER

- 1- Proper installation and use of the appliance in accordance with instructions supplied with the Refrigerator or Freezer.
 - 2- Replacement of light bulbs.
 - 3- Repair of damage to finish.
 - 4- Proper connection to power supply of sufficient voltage.
 - 5- Replacement of blown fuses.
 - 6- Repair of loose connections or defects in house wiring.
 - 7- Accessibility of the appliance to the service technician for repair.
- The user must keep a copy of the Bill of Sale, or Payment Record verifying the purchase date to validate this warranty.

AVANTI PRODUCTS, DIVISION OF THE
MACKLE CO., INC. P.O. BOX 520604- MIAMI
FLORIDA 33152