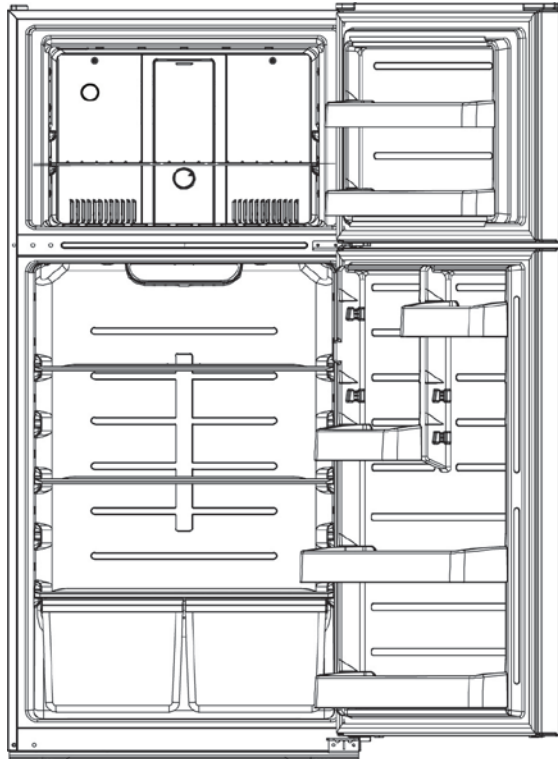




**INSTRUCTION MANUAL
MANUAL DE INSTRUCCIONES
MANUEL D'INSTRUCTIONS**

Model Numbers / No. de Modelos : FF18D0W / FF18D1B / FF18D3S
Modèles: FF21D0W / FF21D1B / FF21D3S

**DELUXE FROST FREE REFRIGERATOR-FREEZER
REFRIGERADOR-CONGELADOR
REFRIGERATEUR - CONGELATEUR**



BEFORE USE, PLEASE READ AND FOLLOW ALL SAFETY RULES AND OPERATING INSTRUCTIONS.

Avanti has a policy of continuous improvement on its products and reserves the right to change materials and specifications without notice.

Avanti Products LLC P.O. Box 520604 - Miami, Florida 33152
www.avantiproducts.com

TABLE OF CONTENTS

Refrigerator Safety	3
Important Safeguides	4
Help Us Help You	5
Parts and Features	6
Installing the Door Handles	6
Important Safety Instructions	7
Installation Instructions	7
Before Using Your Appliance	7
Installation of Your Appliance	7
Electrical Connection	8
Operating Your Appliance	9 – 10
Freezing Fresh Foods	10
Care and Maintenance	11
Ice Maker Installation	11
Reversing the Door Swing of Your Appliance	11
Cleaning Your Appliance	11
Power Failure / Vacation Time, Moving Your Appliance	11
Energy Saving Tips	11
Changing the Light Bulb	12
Troubleshooting Guide	13
Service for Your Appliance	14
Your Avanti Products Warranty	15
Instrucciones en Español	16 – 19
Instructions en Français	20 - 32
Registration Information and Registration Card	Last Page

REFRIGERATOR SAFETY

Your safety and the safety of others are very important.

We have provided many important safety messages in this manual for your appliance. Always read and obey all safety messages.



This is the Safety Alert Symbol. This symbol alerts you to potential hazards that can kill or injure you and others. All safety messages will follow the Safety Alert Symbol and either the words "DANGER", "WARNING" or "CAUTION".



Danger means that failure to heed this safety statement may result in severe personal injury or death.



Warning means that failure to heed this safety statement may result in extensive product damage, serious personal injury, or death.



Caution means that failure to heed this safety statement may result in minor or moderate personal injury, property or equipment damage.

All safety messages will alert you to know what potential hazard is, tell you how to reduce the chance of injury, and let you know what can happen if the instructions are not followed.

IMPORTANT SAFEGUIDES



Before the refrigerator is used, it must be properly positioned and installed as described in this manual, so read the manual carefully. To reduce the risk of fire, electrical shock or injury when using the refrigerator, follow basic precautions, including the following:

DANGER

- Plug into a grounded 3-prong outlet, do not remove grounding prong, do not use an adapter, and do not use an extension cord.
- It is recommended that a separate circuit, serving only your refrigerator be provided. Use receptacles that cannot be turned off by a switch or pull chain.
- Never clean refrigerator parts with flammable fluids. These fumes can create a fire hazard or explosion. And do not store or use gasoline or other flammable vapors and liquids in the vicinity of this or any other appliance. The fumes can create a fire hazard or explosion.
- Before proceeding with cleaning and maintenance operations, make sure the power line of the unit is disconnected.
- Do not connect or disconnect the electric plug when your hands are wet.
- Unplug the refrigerator or disconnect power before cleaning or servicing. Failure to do so can result in electrical shock or death.
- Do not attempt to repair or replace any part of your refrigerator unless it is specifically recommended in this manual. All other servicing should be referred to a qualified technician.

WARNING

FOLLOW WARNING CALL OUTS BELOW ONLY WHEN APPLICABLE TO YOUR MODEL

- Use two or more people to move and install refrigerator. Failure to do so can result in back or other injury.
- To ensure proper ventilation for your refrigerator, the front of the unit must be completely unobstructed. Choose a well-ventilated area with temperatures above 60°F (16°C) and below 90°F (32°C). This unit must be installed in an area protected from the element, such as wind, rain, water spray or drips.
- The refrigerator should not be located next to ovens, grills or other sources of high heat.
- The refrigerator must be installed with all electrical, water and drain connections in accordance with state and local codes. A standard electrical supply (115 V AC only, 60 Hz), properly grounded in accordance with the National Electrical Code and local codes and ordinances is required.
- Do not kink or pinch the power supply cord of refrigerator.
- The fuse (or circuit breaker) size should be 15 amperes.
- It is important for the refrigerator to be leveled in order to work properly. You may need to make several adjustments to level it.
- All installation must be in accordance with local plumbing code requirements.
- Make certain that the pipes are not pinched or kinked or damaged during installation.
- Check for leaks after connection.
- Never allow children to operate, play with or crawl inside the refrigerator.
- If you use the drainage container, you must unplug the unit or the water can overflow from the drainage container
- Although the unit has been tested at the factory, due to long-term transit and storage, the first batch of ice cubes must be discarded.
- Do not use solvent-based cleaning agents or abrasives on the interior. These cleaners may damage or discolor the interior.
- Do not use this apparatus for anything other than its intended purpose.

HELP US HELP YOU...

Read this guide carefully.

It is intended to help you operate and maintain your new refrigerator-freezer properly.

Keep it handy to answer your questions. If you don't understand something or you need more assistance, please call:

**Avanti Customer Service
800-220-5570**

Keep proof of original purchase date (such as your sales slip) with this guide to establish the warranty period.

CAUTION:

THIS REFRIGERATOR-FREEZER IS NOT DESIGNED FOR THE STORAGE OF MEDICINE OR OTHER MEDICAL PRODUCTS.

Write down the model and serial numbers.

You'll find them on a plate located on the rear wall of the refrigerator-freezer.

Please write these numbers here:

Date of Purchase

Model Number

Serial Number

Use these numbers in any correspondence or service calls concerning your refrigerator-freezer.

If you received a damaged refrigerator-freezer, immediately contact the dealer (or builder) that sold you the refrigerator-freezer.

Save time and money. Before you call for service, check the Troubleshooting Guide. It lists causes of minor operating problems that you can correct yourself.

IF YOU NEED SERVICE

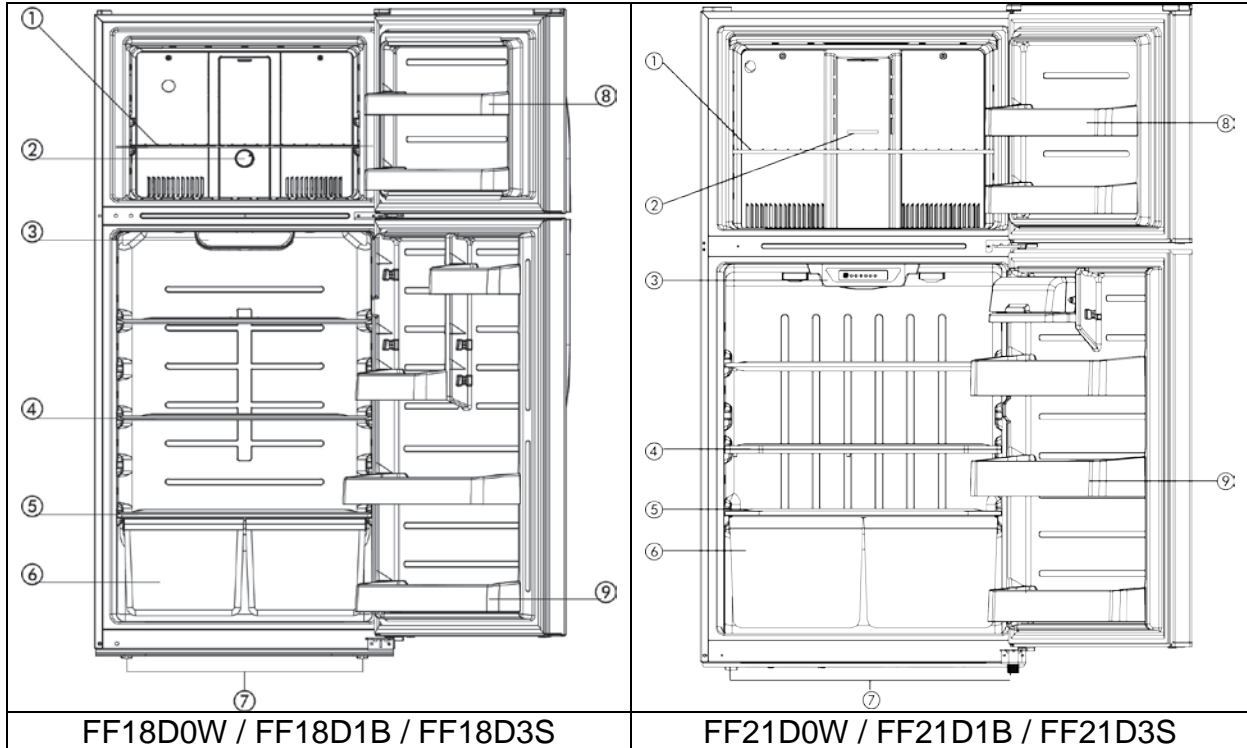
We're proud of our service and want you to be pleased. If for some reason you are not happy with the service you receive, here are some steps to follow for further assistance.

FIRST, contact the people who serviced your refrigerator-freezer. Explain why you are not satisfied. In most cases, this will solve the problem.

NEXT, if you are still not pleased, write all the details, including your telephone number, and send it to:

**Customer Service
Avanti Products
10880 NW 30 Street
Miami, FL 33172**

PARTS AND FEATURES



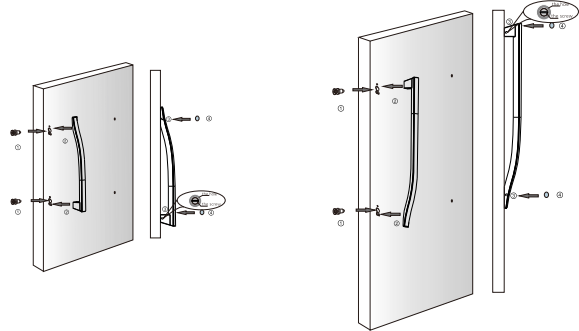
1	Freezer Shelf	5	Crisper Cover
2	Freezer Temperature Control	6	Vegetable Crispers (2)
3	Refrigerator Temperature Control	7	Leveling Legs (2)
4	Refrigerator Shelves (2)	8	Freezer Door with Storage Bins (2)
		9	Refrigerator Door with Storage Bins (4)

DOOR HANDLE INSTALLATION

NOTE: FIGURES IN THE USER MANUAL ARE ONLY FOR REFERENCE. THE ACTUAL PRODUCT MAY DIFFER SLIGHTLY.


The refrigerator must be disconnected from the electrical supply before attempting the installation of any accessory.

- ① Remove the flat head screw from the accessory bag; install them into the door holes; secure to the door until they are tight but do not overtighten.
- ② Align the handles with the screws installed in step #1
- ③ Insert the screws through the holes at the sides of the handles, and tighten until secure.
Do not overtighten (Please use flat screwdriver with 3mm width head to install).



(Photos may vary from actual unit)

IMPORTANT SAFETY INSTRUCTIONS

	<p>To reduce the risk of fire, electrical shock, or injury when using your refrigerator-freezer, follow these basic precautions:</p>
<ul style="list-style-type: none"> • Read all instructions before using the refrigerator-freezer. • DANGER or WARNING: Risk of child entrapment. Child entrapment and suffocation are not problems of the past. Junked or abandoned refrigerator-freezers are still dangerous. . . even if they will “just sit in the garage a few days.” • Before you throw away your old refrigerator-freezer: Take off the doors. Leave the shelves in place so that children may not easily climb inside. • Never allow children to operate, play with, or crawl inside the refrigerator-freezer. • Never clean refrigerator-freezer parts with flammable fluids. The fumes can create a fire hazard or explosion. • Do not store or use gasoline or any other flammable vapors and liquids in the vicinity of this or any other refrigerator-freezer. The fumes can create a fire hazard or explosion. <p style="text-align: center;">-Save these instructions-</p>	

INSTALLATION INSTRUCTIONS

➤ Before Using Your Appliance

- Remove the exterior and interior packing.
- Check to be sure you have all of the following parts:


• 2 Refrigerator Shelves	• 1 Freezer Shelf
• 2 Vegetable Crispers	• 1 Left top Hinge Cover
• 1 Glass Crisper Cover	• 1 Left Middle Hinge
• 2 Freezer Bins	• 1 Left Door Open Stopper
• 1 Instruction Manual	• 4 piece Handle screws
• 1 piece of door stopper for the reversal of door opening	• 1 Water Hose fix Connector
• 2 pieces of hole cover for middle hinge	

- Before connecting the unit to the power source, let it stand upright for approximately 2 hours. This will reduce the possibility of a malfunction in the cooling system from handling during transportation.
- Clean the interior surface with lukewarm water using a soft cloth.

➤ Installation of Your Appliance

- Place your refrigerator-freezer on a floor that is strong enough to support the refrigerator-freezer when it is fully loaded. To level your refrigerator-freezer, adjust the leveling legs at the bottom of unit.
- Allow 5 inches of space between the back and sides of the unit, which allows the proper air circulation to cool the compressor and condenser.
- Locate the unit away from direct sunlight and sources of heat (stove, heater, radiator, etc.). Direct sunlight may affect the acrylic coating and heat sources may increase electrical consumption. Extreme cold ambient temperatures may also cause the refrigerator- freezer not to perform properly.
- Avoid locating the unit in moist areas.
- Plug the unit into an exclusive properly installed-grounded wall outlet. Do not under any circumstances cut or remove the third (ground) prong from the power cord. Any questions concerning power and/or grounding should be directed toward a certified electrician or an authorized Avanti Products service center.

➤ ELECTRICAL CONNECTION



Improper use of the grounded plug can result in the risk of electrical shock. If the power cord is damaged, have it replaced by an authorized Avanti Products service center.

This appliance should be properly grounded for your safety. The power cord of this appliance is equipped with a three-prong plug which mates with standard three prong wall outlets to minimize the possibility of electrical shock.

Do not under any circumstances cut or remove the third ground prong from the power cord supplied. For personal safety, this appliance must be properly grounded.

This appliance requires a standard 115/120 Volt AC ~/60Hz electrical ground outlet with three-prong. Have the wall outlet and circuit checked by a qualified electrician to make sure the outlet is properly grounded. When a standard 2-prong wall outlet is encountered, it is your responsibility and obligation to have it replaced with a properly grounded 3-prong wall outlet.

The cord should be secured behind the appliance and not left exposed or dangling to prevent accidental injury.

The appliance should always be plugged into its own individual electrical outlet which has a voltage rating that matches the rating label on the appliance. This provides the best performance and also prevent overloading house wiring circuits that could cause a fire hazard from overheated. Never unplug the appliance by pulling the power cord. Always grip the plug firmly and pull straight out from the receptacle. Repair or replace immediately all power cords that have become frayed or otherwise damaged. Do not use a cord that shows cracks or abrasion damage along its length or at either end. When moving the appliance, be careful not to damage the power cord.

➤ **EXTENSION CORD**

Because of potential safety hazards under certain conditions, it is strongly recommended that you do not use an extension cord with this appliance. However, if you must use an extension cord it is absolutely necessary that it be a UL/CUL-Listed, 3-wire grounding type appliance extension cord having a grounding type plug and outlet and that the electrical rating of the cord be 115 volts and at least 10 amperes.

➤ **SURGE PROTECTOR**

Most electrical appliances use a series of electric control boards to operate. These boards are very susceptible to power surges and could be damaged or destroyed.

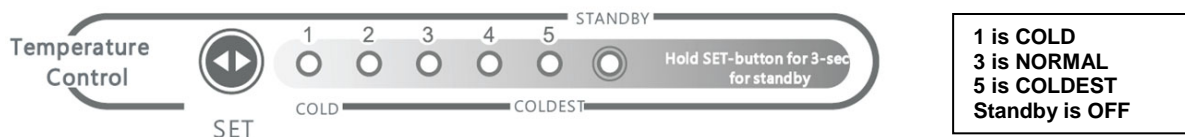
If the appliance is going to be used in an area or if your city / country is prone to power surges / outages; it is suggested that you use a power surge protector for all electrical devices / appliances you use. The surge protector that you select must have a surge block high enough to protect the appliance it is connected to. If you have any questions regarding the type and size of surge protector needed contact a licensed electrician in your area.

Damages due to power surges are not considered a manufacturer covered defect and will void your product warranty.

OPERATING YOUR APPLIANCE

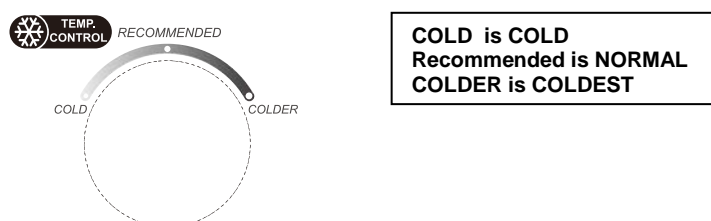
➤ Temperature Control Panels

Refrigerator Temperature Control



Standby is OFF, this will turn off all cooling functions but not the power to the unit.

Freezer Control



➤ Setting the Temperature Control

- Your refrigerator has one control for regulating the temperature. The temperature control is located on the top of the refrigerator compartment. As well as a control knob in the freezer to balance the cold air distribution between the two compartments.
- The temperature control in the refrigerator compartment will control the actual cooling cycle whereas the control knob in the freezer compartment will adjust the distribution of the cold air between the freezer and the refrigerator compartments.
- The first time you turn the unit on, adjust the temperature control knob to “COLDER” in the freezer compartment and “5” in the refrigerator compartment and run for at least 4 hours before placing foods inside. This will ensure the freezer cabinet is thoroughly chilled and the refrigerator compartment will be stabilized before food is placed. Then return selector to “**Recommended**” position in the freezer compartment and “3” in the refrigerator compartment.
- Adjust the temperature control to the setting that best suits your needs. The setting of “3” in the refrigerator compartment and “**Recommended**” in the freezer compartment will distribute the cold air equally between both compartments which should be appropriate for home or office refrigerator use.
- If you at any time want to distribute a larger amount of cold air to the freezer for example is a large amount of food has been added to the freezer, simply move the controller to the “COLDER” position until the desired temperature has been attained then return the controller to the “**Recommended**” position.
- If you at any time want to distribute a larger amount of cold air to the refrigerator section, for example to quickly cook down if a large amount of fresh food has been added, simply move the controller in the freezer to the “COLD” position until the desired temperature has been attained and then return the controller to the “**Recommended**” position.

NOTE:

- IF THE UNIT IS UNPLUGGED, HAS LOST POWER, OR IS TURNED OFF, YOU MUST WAIT 3 TO 5 MINUTES BEFORE RESTARTING THE UNIT. IF YOU ATTEMPT TO RESTART BEFORE THIS TIME DELAY, THE REFRIGERATOR-FREEZER WILL NOT START.

NOTE:

WE DO NOT RECOMMEND THE INSTALLATION OF THE REFRIGERATOR WHERE THE TEMPERATURE WILL DROP BELOW 50°F (13°C) OR RISE ABOVE 110°F (43°C). THE COMPRESSOR WILL NOT BE ABLE TO MAINTAIN PROPER TEMPERATURES INSIDE THE REFRIGERATOR.

FOR INSTALLATIONS WHERE THE TEMPERATURES WILL DROP BELOW 50° SET THE FREEZER TEMPERATURE CONTROL TO THE “COLDEST” SETTING. THIS WILL IMPROVE THE OPERATIONS OF THE REFRIGERATOR UNDER THESE CONDITIONS.

➤ **Freezing Fresh Foods**

- Proper use of the appliance, adequately packed food, correct temperature and taking into account hygienic precautions will substantially influence the quality of freezing the food or storing of the frozen foods.
- This compartment is designed for the long-term storage of frozen food.
- The storage life of frozen foods varies and the recommended storage time should not be exceeded.
- Pre-packed commercially frozen food should be stored in accordance with the frozen foods manufacturer's instructions for a three star frozen food storage compartment or home freezer.
- Place frozen food into the freezer as quickly as possible after purchase. If there are instructions on the packet, carefully follow these instructions regarding storage times.
- Carefully select food you intend to freeze, it should be of adequate quality and suitable for freezing.
- Use correct packaging and wrap it tight.
- The packaging should be airtight and shouldn't leak since this could cause substantial vitamin loss and dehydration of foods.
- Foils and bags should be soft enough to tightly wrap around the foods.
- When preparing foods to be frozen, consider sanitary precautions.
- Mark packages with following data: kind and amount of foods and the date of loading.
- It is extremely important that the food is frozen as quickly as possible.
- If the loading amount is too large, the quality of freezing is reduced which affects the quality of frozen foods.

CARE AND MAINTENANCE

➤ **Ice Maker Installation**

This refrigerator-freezer has the capability of using an automatic ice-maker. The automatic ice-maker is optional and sold separately. Should you desire to install an automatic ice-maker, please call service for installation instructions.

➤ **Reversing the Door Swing of Your Appliance**

This refrigerator-freezer has the capability of the door opening from either the left or right side. The unit is delivered to you with the door opening from the left side. Should you desire to reverse the opening direction, please call service for reversal instructions.

➤ **Cleaning Your Appliance**

- Unplug the unit, and remove the food and baskets.
- Wash the inside with a warm water and baking soda solution. The solution should be about 2 tablespoons of baking soda to a quart of water.
- Wash the baskets with a mild detergent solution.
- The outside of the unit should be cleaned with mild detergent and warm water.

CAUTION

Failure to unplug the refrigerator-freezer could result in electrical shock or personal injury.

➤ **Power Failure**

Most power failures are corrected within a few hours and should not affect the temperature of your refrigerator-freezer if you minimize the number of times the door is opened. If the power is going to be off for a longer period of time, you need to take the proper steps to protect your food.

➤ **Vacation Time**

Short vacations: Leave the unit operating during vacations of less than three weeks.

Long vacations: If the appliance will not be used for several months, remove all food and unplug the power cord. Clean and dry the interior thoroughly. To prevent odor and mold growth, leave the door open slightly: blocking it open if necessary

➤ **Moving Your Appliance**

- Remove all the food.
- Securely tape down all loose items inside your unit.
- Turn the leveling screws up to the base to avoid damage.
- Tape the door shut.
- Be sure the unit stays in the upright position during transportation.

➤ **Energy Saving Tips**

- The unit should be located in the coolest area of the room, away from heat producing appliances or heating ducts, and out of direct sunlight.
- Let hot foods cool to room temperature before placing them in the unit. Overloading the unit forces the compressor to run longer. Foods that freeze too slowly may lose quality, or spoil.
- Be sure to wrap foods properly, and wipe containers dry before placing them in the unit. This cuts down on frost build-up inside the freezer.
- Organize and label food to reduce door openings and extended searches. Remove as many items as needed at one time, and close the door as soon as possible.

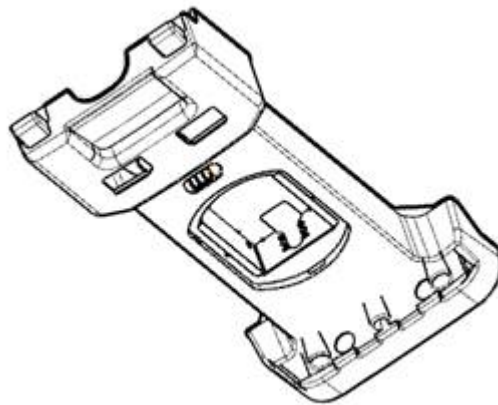
➤ **Replacing Your Light Bulb (FF18D0W Series – ONLY)**

NOTE:

All parts removed must be saved to do the replacement of the light bulb.

Before removing the light bulb, either turn off the appliance or disconnect the electricity leading into the appliance at the main power supply. Failure to do so could result in electrical shock or personal injury.

- Unplug the AC power cord from the wall.
- Pull down to remove the lamp cover.
- Unscrew the bulb.
- Replace with a 40-watt bulb that is the same shape and size.



➤ **Replacing Your Light Bulb (FF21D0W Series – ONLY)**

NOTE:

- Your unit is equipped with a LED Lighting system which should not require any maintenance nor change of the bulbs.
- In the event your unit should require a bulb replacement, contact our service department to purchase parts and instructions on how to change the LED system.

PROBLEMS WITH YOUR APPLIANCE?

You can solve many common refrigerator-freezer problems easily, saving you the cost of a possible service call. Try the suggestions below to see if you can solve the problem before calling for service.

TROUBLESHOOTING GUIDE

PROBLEM	POSSIBLE CAUSE
Unit does not operate.	Not plugged in. The circuit breaker tripped or there is a blown fuse.
Compressor turns on and off frequently.	The room temperature is hotter than normal. A large amount of food has been added to the refrigerator - freezer. The door is opened too often. The door is not closed completely. The temperature control is not set correctly. The door gasket does not seal properly. The refrigerator -freezer does not have the correct clearances.
Vibrations.	Check to assure that the refrigerator - freezer is level.
The unit seems to make too much noise.	The rattling noise may come from the flow of the refrigerant, which is normal. As each cycle ends, you may hear gurgling sounds caused by the flow of refrigerant in your refrigerator - freezer. Contraction and expansion of the inside walls may cause popping and crackling noises. The unit is not level.
The door will not close properly.	The unit is not level. The door is reversed and not properly installed. The gasket is dirty. The baskets are out of position.

SERVICE FOR YOUR APPLIANCE

We are proud of our customer service organization and the network of professional service technicians that provide service on your Avanti refrigerator - freezer. With the purchase of your Avanti refrigerator - freezer, you can be confident that if you ever need additional information or assistance, the Avanti Products Customer Service team will be here for you. Just call us toll-free.

AVANTI PRODUCTS CUSTOMER SERVICES

Product Information 800-323-5029	Whatever your questions are about our products, help is available.
Part Orders 800-220-5570	You may order parts and accessories that will be delivered directly to your home using personal check, money order, Master Card, or Visa.
In-Home Repair Service 800-220-5570	An Avanti Products authorized service center will provide expert repair service, scheduled at a time that is convenient for you. Our trained servicers know your refrigerator-freezer inside and out.

YOUR AVANTI PRODUCTS WARRANTY	Staple your sales receipt here. Proof of original purchase date is needed to obtain service under warranty.
<u>WHAT IS COVERED – LIMITED ONE-YEAR WARRANTY</u>	
Avanti Products warrants that the product is free from defects in materials and/or workmanship for a period of twelve (12) months from the date of purchase by the original owner. The foregoing timeline begins to run upon the date of purchase, and shall not be stalled, tolled, extended, or suspended for any reason whatsoever unless described in detail in the warranty document. For one year from the date of purchase by the original owner, Avanti products will, at its option, repair or replace any part of the product which proves to be defective in material or workmanship under normal use. Avanti Products will provide you with a reasonably similar product that is either new or factory refurbished. During this period Avanti Products will provide all parts and labor necessary to correct such defects free of charge, so long as the product has been installed and operated in accordance with the written instructions in this manual. In rental or commercial use, the warranty period is 90 days. All Avanti appliances of 4.2 cubic feet capacity or less must be brought/sent to the appliance service center for repair.	
<u>LIMITED SECOND THROUGH FIFTH YEAR WARRANTY</u>	
For the second through the fifth year from the date of original purchase, Avanti Products will provide a replacement compressor free of charge due to a failure. You are responsible for the service labor and freight charges. In rental or commercial use, the limited compressor warranty is one year and nine months. Costs involved to move the product to the service center and back to the user's home, as maybe required, are the user's responsibility.	
<u>WARRANTY EXCLUSIONS / WHAT IS NOT COVERED:</u>	
The warranty coverage described herein excludes all defects or damage that are not the direct fault of Avanti Products, including without limitation, one or more of the following:	
<ul style="list-style-type: none"> ● A failure to comply with any applicable state, local, city, or county electrical, plumbing and/or building codes, regulations, or laws, including failure to install the product in strict conformity with local fire and building codes and regulations. ● Any external, elemental and/or environmental forces and factors, including without limitation, rain, wind, sand, floods, fires, mud slides, freezing temperatures, excessive moisture or extended exposure to humidity, lightning, power surges, structural failures surrounding the appliance, and acts of God. 	
<ul style="list-style-type: none"> ● Content losses of food or other content due to spoilage. ● Incidental or consequential damages ● Parts and labor costs for the following will not be considered as warranty: <ul style="list-style-type: none"> ● Evaporator doors, door springs, and/or frames. ● Inner door panels, door shelves, door rails, and/or door supports. ● Vegetable crispers. ● Light bulbs and/or plastic housing. ● Plastic cabinet liners. ● Punctured evaporator that voids the warranty on the complete sealed system. 	<ul style="list-style-type: none"> ● Shipping and handling costs associated with the replacement of the unit. ● Repairs performed by unauthorized servicers. ● Service calls that are related to external problems, such as abuse, misuse, inadequate electrical power, accidents, fire, floods, or any other acts of God. ● Failure of the product if it is used for other than its intended purpose. ● The warranty does not apply outside the Continental USA. ● Surcharges including but not limited to, any after hour, weekend, or holiday service calls, tolls, ferry trip charges, or mileage expense for service calls to remote areas.
In no event shall Avanti Products have any liability or responsibility whatsoever for damage to surrounding property, including cabinetry, floors, ceilings, and other structures and/or objects around the product. Also excluded from this warranty are scratches, nicks, minor dents, and other cosmetic damages on external surfaces and exposed parts; Products on which the serial numbers have been altered, defaced or removed; service visits for customer education, or visits where there is nothing wrong with the product; correction of installation problems (you are solely responsible for any structure and setting for the product, including all electrical, plumbing and/or other connecting facilities, for proper foundation/flooring, and for any alterations including without limitation cabinetry, walls, floors, shelving etc., as well as the resetting of breakers or fuses.	
<u>OUT OF WARRANTY PRODUCT</u>	
Avanti Products is under no obligation, at law or otherwise, to provide you with any concessions, including repairs, pro-rates, or product replacement, once this warranty has expired.	
<small>WARRANTY – REFRIGERATION - COMPRESSOR</small>	

INSTRUCCIONES EN ESPAÑOL

PRECAUCIÓN	Para reducir el riesgo de incendio, descarga eléctrica, o daño cuando use su electrodoméstico, siga las siguientes precauciones.
<ul style="list-style-type: none">• Lea todas las instrucciones antes de usar su electrodoméstico.• Peligro o Precaución: Existe el riesgo que los niños queden atrapados.• Niños atrapados o sofocamiento no son un problema del pasado. Los electrodomésticos son peligrosos aún si solo los deja en el garaje por un par de días.• Antes de desechar su electrodoméstico o refrigerador usado: quítele las puertas. Deje las repisas en su lugar para evitar que los niños se queden atrapados.• No permita que los niños manejen, jueguen o entren dentro del electrodoméstico.• No limpie su electrodoméstico con líquidos inflamables. Los gases pueden ocasionar fuego o una explosión.• No guarde ni use gasolina u otros líquidos inflamables cerca de este o de cualquier otro electrodoméstico. Los vapores pueden ocasionar fuego o explosión. <p style="text-align: center;">- <u>Guarde estas instrucciones</u> -</p>	

INSTRUCCIONES PARA LA INSTALACIÓN

Antes de usar su equipo

- Retire la envoltura interna y externa.
- Verifique que tenga las siguientes partes: 1 manual de instrucciones, 2 parillas en el refrigerador, 1 parilla en el congelador, 2 bandejas con una tapa de vidrio para vegetales.
- 2 piezas plásticas para cubrir agujeros (puerta reversible).
- Antes de conectar su electrodoméstico a la corriente eléctrica, ubíquelo en posición vertical sobre una superficie plana por lo menos por 2 horas. Esto reducirá la posibilidad de malfuncionamiento en el sistema de enfriamiento por el manipuleo durante el transporte.
- Limpie la superficie interior con agua tibia usando un trapo suave.

Instalación de su electrodoméstico

- Ubique su electrodoméstico en un piso que sea lo suficientemente fuerte para soportar su peso cuando este totalmente lleno o cargado. Para nivelar el electrodoméstico, ajuste las patas delanteras.
- Deje aproximadamente 5 pulgadas de espacio entre la parte trasera y los costados de su electrodoméstico, así permitirá la circulación de aire necesaria para enfriar el compresor.
- Mantenga su electrodoméstico alejado del aire caliente, vapor o líquidos que puedan salpicarlo, ya que la unidad podría averiarse.
- Los rayos solares directos pueden malograr la capa acrílica, y las fuentes de calor pueden ocasionar un aumento en el consumo eléctrico. Manténgalo lo más alejado posible del agua para prevenir algún choque eléctrico. Evite los sitios húmedos y los ambientes extremadamente fríos ya que esto puede afectar la eficiencia del enfriamiento de su electrodoméstico.
- Evite ubicar su electrodoméstico en áreas mojadas o muy húmedas.
- Conecte el electrodoméstico a un enchufe de pared exclusivo con conexión a tierra. Bajo ninguna razón se debe retirar la tercera punta del enchufe. Cualquier consulta con respecto a la energía y/o cable de tierra debe ser dirigida a un electricista certificado o autorizado por el Servicio Técnico de Avanti Products.

Conexión eléctrica

Este electrodoméstico debe ser conectado a tierra. En el caso que ocurra un corto circuito, la conexión a tierra reduce el riesgo de recibir un choque eléctrico ya que cuenta con un alambre para el escape de la corriente eléctrica. Este electrodoméstico está equipado con un enchufe que consta de tres puntas, la tercera punta es la conexión a tierra. Este enchufe debe ser insertado a un enchufe de pared que este correctamente instalado con la conexión a tierra.

ADVERTENCIA

- El uso inapropiado del enchufe a tierra puede desencadenar un choque eléctrico. Consulte a personal autorizado por Avanti Products si tiene alguna duda sobre las instrucciones o si tiene alguna consulta si el electrodoméstico está correctamente instalado a la corriente eléctrica y a tierra. Si el cordón del enchufe del electrodoméstico se encuentra dañado, debe ser reemplazado por el Servicio Técnico de Avanti Products.

- El cordón del enchufe está equipado con tres puntas que encajan perfectamente en un enchufe de pared standard para reducir el riesgo de un choque eléctrico.
- Bajo ninguna circunstancia corte o saque la tercera punta del enchufe que le proveemos ya que este es para que vaya conectado a tierra.
- No use una extensión.
- La corriente de este electrodoméstico es de 115/120 voltios, tiene una salida eléctrica de 60 Hz. y consta de un enchufe de tres puntas que va conectado al enchufe de pared.
- El cordón del enchufe debe ser asegurado atrás del electrodoméstico y no dejarlo expuesto para evitar accidentes.

COMO CAMBIAR LA DIRECCION DE APERTURA DE LA PUERTA

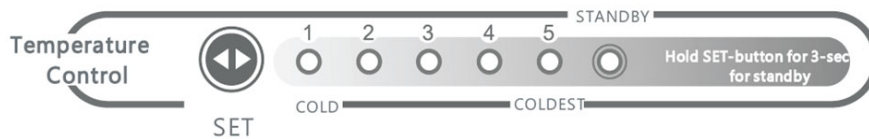
En caso de que necesite cambiar el lado de apertura de la puerta, por favor consulte al servicio pos-venta de su localidad.

ADVERTENCIA

No use agua hirviendo porque dañará las partes de plástico.

- Retire los alimentos del electrodoméstico y colóquelos en una caja térmica para conservarlos y protegerlos.

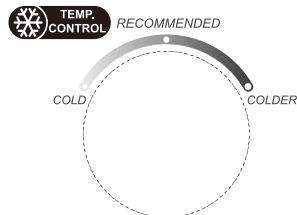
Control de temperatura del refrigerador



1 es frío
3 es NORMAL
5 es el más frío
Standby es APAGADO

La opción de Standby es apagado, se apagará todo el ciclo de enfriar pero no apagará la fuente de electricidad a la unidad..

Control de temperature del congelador



COLD is frío
Recommended es NORMAL
COLDER es el más frío

Como graduar la temperatura

Para ajustar la temperatura interna de su unidad, ajuste los controles considerando la temperatura ambiental.

Una vez conectada su unidad, mueva el control de la temperatura hacia la posición "COLDER" en el compartimiento del congelador y a la posición "5" en el refrigerador, por 4 horas.

Después muévelo a la posición "**Recommended**" en el compartimiento del congelador y a la posición "3" en el compartimiento del refrigerador.

Las posiciones en ambos controles funcionan de la siguiente manera:

En el compartimiento del refrigerador,
La posición "1" Menos Frío/ La posición "5" más Frío

En el compartimiento del congelador,
La posición "COLD" Menos Frío/ La posición "COLDER" más Frío

Una vez transcurrida 4 horas, Usted deber reajustar los controles en ambos compartimientos a las temperaturas apropiadas a sus necesidades.

NOTA:

NO RECOMENDAMOS la instalación de la unidad donde la temperatura descienda de los 50 °F (13°C) o aumenta sobre 110°F (43°C). El compresor no podrá mantener las temperaturas adecuadas dentro del refrigerador.

Para instalaciones donde las temperaturas bajarán por debajo de los 50°F (13°C); Ajuste el control de temperatura del congelador al ajuste "MÁS FRÍO". Esto mejorará las operaciones del refrigerador bajo estas condiciones.

CUIDADOS EN LOS PERIODOS DE AUSENCIA

- Para cortos períodos de ausencia (menos de 21 días) el congelador podrá quedar funcionando. Coloque el botón de control de temperaturas en la posición mínima.
- En períodos de ausencia más largos, se aconseja dejar el refrigerador limpio y desconectado.
- Retire todo lo que tenga adentro del refrigerador y haga el deshielo y la limpieza general. También retire las cubeteras, limpie bien y séquelas internamente.
- Deje la puerta entreabierta para penetre el aire y así evitar la formación de olores.

Compartimiento de su congelador

- Este compartimiento está diseñado para un período largo (3 meses) de almacenamiento de alimentos congelados.
- El tiempo de almacenamiento de los alimentos congelados varía y se recomienda almacenarlos solamente mientras esté vigente la fecha de expiración.
- Alimentos congelados preenvasados comercialmente deben ser almacenados de acuerdo con las indicaciones de su fabricante.
- Coloque los alimentos congelados dentro de su electrodoméstico inmediatamente después de comprarlos. Si hay indicaciones en el envase, sígalas cuidadosamente considerando el tiempo de almacenamiento.

CUIDADO Y MANTENIMIENTO

Limpiando su electrodoméstico

- Desconecte el electrodoméstico y retire los alimentos.
- Lave el interior con agua tibia y un trapo suave remojado en una solución de Bicarbonato de Sodio. La solución consiste en 2 cucharadas del referido compuesto químico y un litro de agua.
- Lave la canasta de almacenaje con un detergente suave.
- Las partes externas de su electrodoméstico deben ser limpiadas con un detergente suave y agua tibia.

ADVERTENCIA

Asegúrese de desconectar el electrodoméstico de la corriente eléctrica. Si no lo hace, puede ocasionar un choque eléctrico o herirse.

Si falla el suministro eléctrico

Usualmente la electricidad regresa en unas pocas horas sin afectar la temperatura de su electrodoméstico, siempre que la puerta no se abra muy frecuentemente. Si le va a faltar electricidad por un período de tiempo más largo, usted debe tomar los pasos apropiados para proteger sus alimentos.

Si usted sale de vacaciones

Retire todos los alimentos si va a estar ausente por un período largo; desconecte y limpie su electrodoméstico.

Deje la puerta del electrodoméstico ligeramente abierta para evitar la formación de mal olor y moho.

Para mover su electrodoméstico

- Retire los alimentos.
- Asegúrese de colocar cinta adhesiva a todo lo que se puede caer dentro de su electrodoméstico.
- Retire las patas para prevenir que se dañen.
- Selle las puertas con cinta adhesiva.
- Asegúrese que el electrodoméstico se mantenga parado durante el traslado.

Consejos para ahorrar energía

- Su electrodoméstico debe estar ubicado en el área más fría de la habitación, alejado de electrodomésticos que produzcan calor o conductos de aire caliente y lejos de los rayos solares.
- Los alimentos calientes deben estar a temperatura ambiental antes de colocarlos en el electrodoméstico. Si sobrecarga su electrodoméstico forzará al compresor a funcionar más tiempo del normal. Los alimentos que se congelan lentamente pierden calidad y se malogran.
- Asegúrese de envolver adecuadamente los alimentos y de secar los empaques o contenedores antes de colocarlos dentro del electrodoméstico. Colocarlos mojados ocasiona escarcha en el electrodoméstico.
- La canasta de almacenaje de su electrodoméstico no debe ser forrada con papel aluminio, papel de cera o papel toalla ya que esto interfiere con la circulación del aire frío restando eficiencia a su electrodoméstico.

VOTRE SÉCURITÉ ET CELLE DES AUTRES SONT TRÈS IMPORTANTES.

Nous avons fourni de nombreux messages de sécurité importants dans ce manuel pour votre appareil. Toujours lire et obéir à tout message de sécurité.



C'est le symbole d'alerte de sécurité. Ce symbole vous signale les dangers potentiels peut tuer ou blesser vous et d'autres. Tout sécurité messages suivra la sécurité Symbole d'alerte et soit les mots " DANGER", "ATTENTION" ou "PRUDENCE".



Danger signifie que la non-respect de cette déclaration de sécurité peut entraîner des blessures ou la mort.



Attention signifie que le non-respect de cette déclaration de sécurité peut entraîner des dommages importants du produit, des blessures graves ou la mort.



Attention signifie que le non-respect de cette déclaration de sécurité peut entraîner des mineures ou modérées blessure, des biens ou des dommages matériels.

Tout message de sécurité alertera vous savez ce que danger potentiel est, vous dire comment réduire les risques de blessures, et que vous savez ce qui peut arriver si les instructions ne sont pas suivies.



CONSIGNES DE SÉCURITÉ IMPORTANTES

Avant que le réfrigérateur est utilisée, elle doit être correctement positionné et installé en tant que décrit dans ce manuel, afin de lire attentivement le manuel. Pour réduire le risque d'incendie, choc électrique ou de blessure lors de l'utilisation du réfrigérateur, suivez les précautions de bases, comprenant les éléments suivants:

DANGER

- Brancher sur une 3 broches mise à la terre sortie, faire pas enlever la terre broches, faire pas utiliser une annonceunepeter, et ne pas utiliser une rallonge.
- Il est recommandé qu'un circuit séparé, servant uniquement votre réfrigérateur sera fourni. Utilisez des récipients cette ne peut pas être désactivé par une chaîne de traction interrupteur ou.
- Jamais pièces de réfrigérateur propre avec des liquides inflammables. Ces vapeurs peuvent créer un risque d'incendie or explosion. Et ne pas stocker ou utiliser de l'essence ou d'autres vapeurs et liquides inflammables à proximité de cet appareil ou de tout autre appareil. Les vapeurs peuvent créer un risque d'incendie ou d'explosion.
- Avant de procéder à des opérations de nettoyage et d'entretien, assurez-vous que la ligne d'alimentation de l'appareil est débranché.
- Faire pas brancher ou débrancher la prise électrique lorsque vos mains sont humides.
- Débrancher le réfrigérateur ou couper le courant avant le nettoyage ou l'entretien. Ne pas le faire peut entraîner un choc électrique ou la mort.
- Faire pas tenter de réparer ou de remplacer une partie de votre réfrigérateur à moins qu'il ne soit spécifiquement recommandé dans ce manuel. Toutes les autres réparations doivent être confiées à un technicien qualifié.

WARNING

SUIVRE LES INSTRUCTIONS SUIVANTES LORSQU'ELLES APPLICABLE À VOTRE MODÈLE

- Utilisation deux personnes ou plus pour déplacer et installer le réfrigérateur. Ne pas le faire peut entraîner dans le dos ou d'autres blessures.
- Pour assurer une ventilation appropriée pour votre réfrigérateur, la face avant de l'appareil doit être complètement dégagée. Choisissez un endroit bien ventilé avec des températures supérieures à 60°F (16°C) et plus bas 90°F (32°C). Cet appareil doit être installé dans une zone protégée de l'élément, comme le vent, la pluie, de l'eau pulvérisée ou de gouttes.
- le réfrigérateur ne doit pas être situé à côté de fours, grilles ou autres sources de chaleur élevée.
- le réfrigérateur doit être installé avec tous, les raccordements d'eau et de drain électriques conformément aux codes nationaux et locaux. Une alimentation électrique standard (115 V CA seulement, 60 Hz), mise à la terre conformément au Code national de l'électricité et les codes et règlements locaux est nécessaire.
- Faire pas plier ou pincer le cordon d'alimentation du réfrigérateur.
- le fusible (ou disjoncteur) doit être de 15 ampères.
- Il est important pour le réfrigérateur pour être nivelé afin de fonctionner correctement. Vous devrez peut-être faire plusieurs ajustements à niveler.
- Toute installation doit être conforme aux exigences du code de plomberie locaux.
- Assurez-vous que les tuyaux ne sont pas pincés ou pliés ou endommagés au cours installation.
- Vérifier les fuites après connexion.
- Ne jamais laisser les enfants utiliser, jouer avec ou crawl à l'intérieur du réfrigérateur.
- Si vous utilisez le Récipient de drainage, toi doit débrancher l'appareil ou de l'eau peut déborder du réservoir de drainage
- Bien que l'appareil a été testé à l'usine, en raison de transit à long terme et le stockage, le premier lot de de la glace cubes doivent être jetés.
- Faire pas utiliser de produits de nettoyage à base de solvant ou abrasifs sur l'intérieur. Ces nettoyeurs peuvent endommager ou décolorer l'intérieur.
- Ne pas utiliser cet appareil pour n'importe quoi autre que son usage prévu.

AIDEZ NOUS À VOUS AIDER ...

Lisez attentivement ce guide.

Il est destiné à vous aider à utiliser et à maintenir votre nouveau réfrigérateur-congélateur correctement.

Gardez-le à portée de main pour répondre à vos questions.

Si vous ne comprenez pas quelque chose ou vous avez besoin de plus d'aide, s'il vous plaît appelez:

**Avanti Service à la clientèle
800-220-5570**

Gardez preuve de la date d'achat d'origine (tel que votre bordereau de vente) avec ce guide pour établir la période de garantie.

PRUDENCE:

**CE
RÉFRIGÉRATEUR-CONGÉLATEUR
EST PAS CONÇU POUR LE
STOCKAGE DE MÉDECINE OU
D'AUTRES PRODUITS MÉDICAUX.**

Notez le modèle et le numéro de série.

Vous les trouverez sur une plaque située sur la paroi arrière du réfrigérateur-congélateur.

S'il vous plaît écrire ces chiffres ici:

Date d'achat

Numéro de modèle

Numéro de série

Utilisez ces numéros dans toute correspondance ou appels de service concernant votre réfrigérateur-congélateur.

Si vous avez reçu un réfrigérateur-congélateur endommagé, contactez immédiatement le revendeur (ou le constructeur) qui vous a vendu le réfrigérateur-congélateur.

Gagnez du temps et de l'argent. Avant d'appeler le service, consultez le Guide de dépannage. Il énumère les causes des problèmes de fonctionnement mineurs que vous pouvez vous corriger.

SI VOUS AVEZ BESOIN DE SERVICE

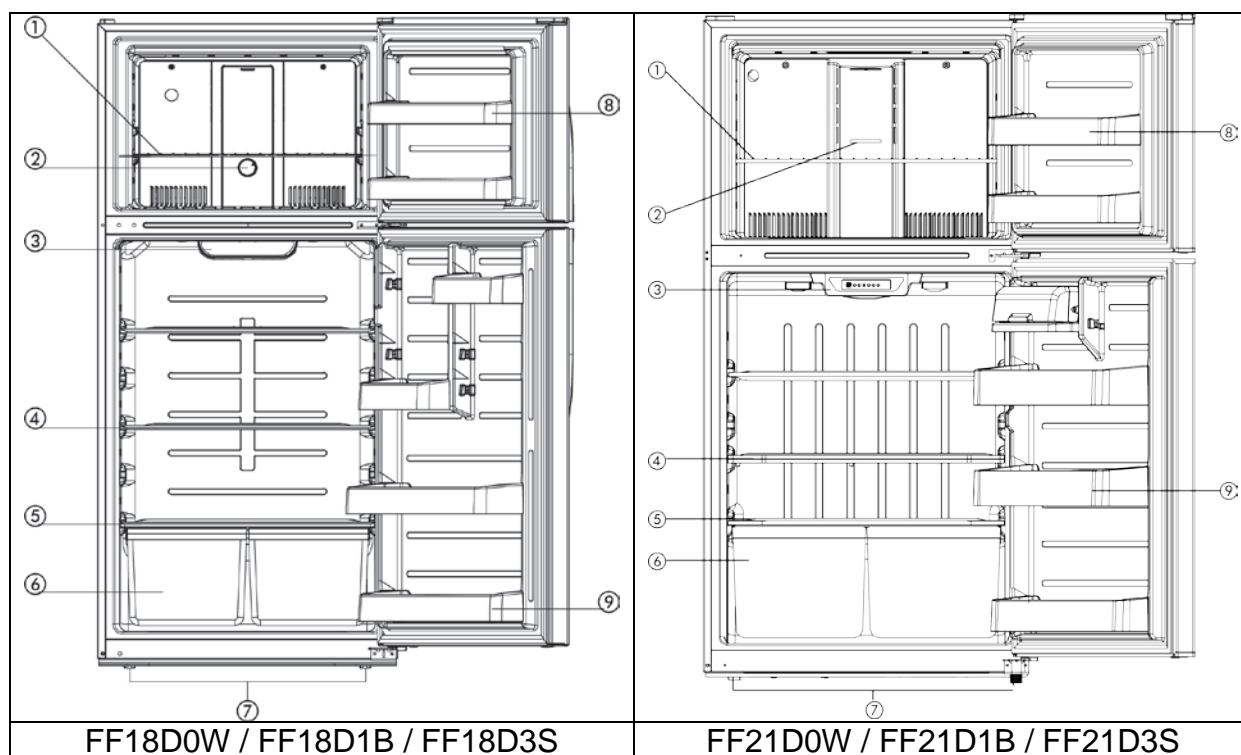
Nous sommes fiers de notre service et nous voulons que vous soyez heureux. Si pour une raison quelconque vous n'êtes pas satisfait du service que vous recevez, voici quelques étapes à suivre pour obtenir de l'aide.

FIRST, communiquer avec les personnes qui ont réparé votre réfrigérateur-congélateur. Expliquez pourquoi vous n'êtes pas satisfait. Dans la plupart des cas, cela va résoudre le problème.

Ensuite, si vous n'êtes toujours pas satisfait, écrivez tous les détails, y compris votre numéro de téléphone, et l'envoyer à:

**Service Clients
Avanti Produits
10880 NW 30 Street
Miami, FL 33172**

PIÈCES ET CARACTÉRISTIQUES



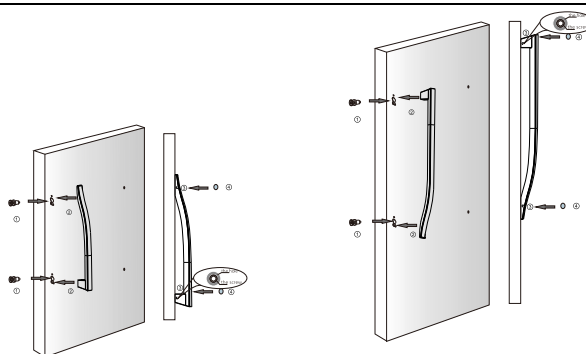
1	Congélateur - Tablette	5	Couvercle en verre
2	Contrôle de la température Congélateur	6	Bacs par légumes (2)
3	Réfrigérateur Contrôle de la température	7	Pieds nivelants (2)
4	Etagère Réfrigérateur (2)	8	Porte de Congélateur
		9	Porte de réfrigérateur

POIGNÉE DE PORTE INSTALLATION

NOTE: LES CHIFFRES LE MODE D'EMPLOI SONT SEULEMENT POUR LA RÉFÉRENCE. LE PRODUIT PEUT DIFFÉRER LÉGÈREMENT.

Le réfrigérateur doit être débranché de l'alimentation électrique avant de tenter l'installation de tout accessoire.

- ① Retirez la vis à tête plate du sac d'accessoires; installez-les dans les trous de la porte; assurer à la porte jusqu'à ce qu'ils soient serrés mais pas trop.
- ② Alignez les poignées avec les vis installées à l'étape n ° 1
- ③ Insérez les vis dans les trous sur les côtés des poignées, et serrer à fond. Ne pas trop serrer. Utilisez un tournevis à tête plate (3 mm de large) pour serrer les vis.



(Les photographies peuvent varier d'unité réelle)

CONSIGNES DE SÉCURITÉ IMPORTANTES

⚡ ATTENTION ⚡	<p>Pour réduire le risque d'incendie, d'électrocution ou de blessure lors de l'utilisation de votre réfrigérateur congélateur, suivre ces précautions de base:</p> <ul style="list-style-type: none"> • Lisez toutes les instructions avant d'utiliser le réfrigérateur-congélateur. • DANGER ou AVERTISSEMENT: Risque de piégeage des enfants. piégeage des enfants et la suffocation ne sont pas des problèmes du passé. Jetés ou abandonnés réfrigérateurs-congélateurs sont toujours dangereux. . . même si elles vont "rester assis dans le garage quelques journées." • Avant de jeter votre vieux réfrigérateur-congélateur: Enlever les portes. Laissez les étagères en place afin que les enfants ne puissent pas grimper facilement à l'intérieur. • Ne jamais laisser les enfants utiliser, jouer avec, ou ramper à l'intérieur du réfrigérateur-congélateur. • Jamais pièces propre réfrigérateur-congélateur avec des liquides inflammables. Les vapeurs peuvent créer un risque d'incendie ou d'explosion. • Ne pas entreposer ou utiliser d'essence ou d'autres vapeurs et liquides inflammables à proximité de cet appareil ou tout autre réfrigérateur-congélateur. Les vapeurs peuvent créer un risque d'incendie ou d'explosion. <p style="text-align: center;">-Enregistrez Ces INSTRUCTIONS-</p>
----------------------	---

INSTRUCTIONS D'INSTALLATION

➤ Avant d'utiliser votre appareil

- Retirez l'emballage extérieur et intérieur.
- Vérifiez que vous avez toutes les pièces suivantes:

● 2 étagères Réfrigérateur	1 Congélateur Shelf
● 2 bacs végétales	● 1 Lauche top Charnière Cover
● 1 bac couvercle en verre	● 1 Lauche Moyen Charnière
● 2 Congélateur panier	● 1 Lauche Open Door Stopper
● 1 Mode d'emploi	● 4 pièce vis du poignée
● 1 morceau de butée de porte pour la inversion de l'ouverture de la porte	● 1 Water Hose fix Connector
● 2 morceaux de couvercle de trou pour milieu charnière	

- Avant de connecter l'appareil à la source d'alimentation, laissez-le tenir debout pendant environ 2 heures. Cela permettra de réduire la possibilité d'un mauvais fonctionnement du système de refroidissement lors de la manipulation durant le transport.
- Nettoyer la surface intérieure à l'eau tiède avec un chiffon doux.

➤ Installation de votre appareil

- Placez votre réfrigérateur-congélateur sur un sol qui est assez solide pour supporter le réfrigérateur-congélateur quand il est complètement chargé. Pour mettre à niveau votre réfrigérateur-congélateur, réglez les pieds de nivellement au bas de l'unité.
- Permettre 5 pouces l'espace entre le fond et les côtés de l'appareil, ce qui permet la circulation de l'air pour refroidir le compresseur et le condenseur.
- Éloignez l'appareil des rayons du soleil et des sources de chaleur (cuisinière, chauffage, radiateur, etc.). La lumière solaire directe peut affecter le revêtement acrylique et sources de chaleur peuvent augmenter la consommation électrique. Les températures ambiantes froides extrêmes peuvent également provoquer le réfrigérateur-congélateur ne pas fonctionner correctement.
- Éviter de placer l'appareil dans les zones humides.
- Branchez l'appareil dans une prise murale correctement installée à la terre exclusive. Ne pas en aucun cas réduire ou supprimer la troisième (terre) du cordon d'alimentation. Toute question concernant le pouvoir et / ou mise à la terre doivent être adressées à un électricien certifié ou un centre de service Avanti Produits autorisé.

➤ **CONNEXION ÉLECTRIQUE**

⚡ Attention ⚡

Une mauvaise utilisation de la prise de terre peut entraîner un risque de choc électrique. Si le cordon d'alimentation est endommagé, faites-le remplacer par un centre de service Avanti Produits

Cet appareil doit être correctement mis à la terre pour votre sécurité. Le cordon d'alimentation de cet appareil est équipé d'une fiche à trois broches qui accouple avec trois standards prises murales broches afin de minimiser le risque de choc électrique.

Ne pas en aucun cas couper ou enlever la troisième broche de terre du cordon d'alimentation fourni. Pour votre sécurité, cet appareil doit être correctement mis à la terre.

Cet appareil nécessite une norme 115/120 Volt AC ~/ Sortie de masse électrique 60Hz avec trois broches. Avoir la prise murale et le circuit par un électricien qualifié pour vous assurer que la prise est correctement mise à la terre. Quand une prise murale standard de 2 broches est rencontré, il est de votre responsabilité et l'obligation de la faire remplacer par une prise murale à 3 broches correctement mise à la terre.

Le cordon doit être fixé derrière l'appareil et non laissés exposés ou qui pendent pour prévenir les blessures accidentelles.

L'appareil doit toujours être branché dans sa propre personne Electrique sortie qui a une tension qui correspond à l'étiquette apposée sur l'appareil. Ceci permet d'obtenir les meilleures performances et éviter une surcharge des circuits de câblage de la maison qui pourraient causer un risque d'incendie de surchauffé. Ne jamais débrancher l'appareil en tirant sur le cordon d'alimentation. Toujours saisir fermement la fiche et tirez tout droit sorti de la prise. Réparer ou remplacer immédiatement tous les cordons d'alimentation qui sont devenus usés ou endommagés. Ne pas utiliser un cordon qui présente des fissures ou des dommages à l'abrasion sur sa longueur ou à chaque extrémité. Lors du déplacement de l'appareil, veillez à ne pas endommager le cordon d'alimentation.

➤ **RALLONGE ÉLECTRIQUE**

En raison des risques potentiels pour la sécurité dans certaines conditions, il est fortement recommandé de ne pas utiliser une rallonge avec cet appareil. Toutefois, si vous devez utiliser une rallonge, il est absolument nécessaire que ce soit un UL / CUL, 3 fils de terre appareil rallonge ayant une fiche de mise à la terre et à la sortie et que la puissance électrique du câble est de 115 volts et au moins 10 ampères.

➤ **PARASURTENSEUR**

La plupart des appareils électriques utilisent une série de tableaux de commande électriques pour fonctionner. Ces cartes sont très sensibles aux surtensions et pourraient être endommagés ou détruits.

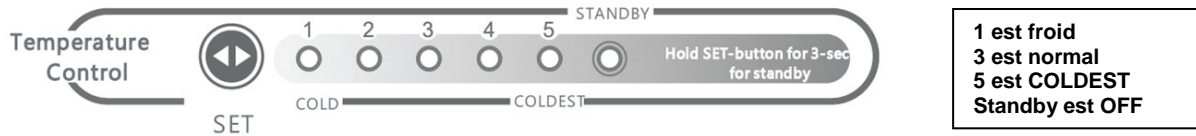
Si l'appareil va être utilisé dans une zone ou si votre ville / pays est sujette à des surtensions / coupures; il est suggéré que vous utilisez un dispositif de protection contre les surtensions pour tous les dispositifs / appareils électriques que vous utilisez. Le protecteur de surtension que vous sélectionnez doit avoir un bloc de poussée suffisamment élevé pour protéger l'appareil, il est connecté. Si vous avez des questions concernant le type et la taille d'un protecteur de surtension contact nécessaire à un électricien agréé dans votre région.

Les dommages dus à des surtensions ne sont pas considérés comme un fabricant couvert défaut et annulera la garantie du produit.

UTILISATION DE VOTRE APPAREIL

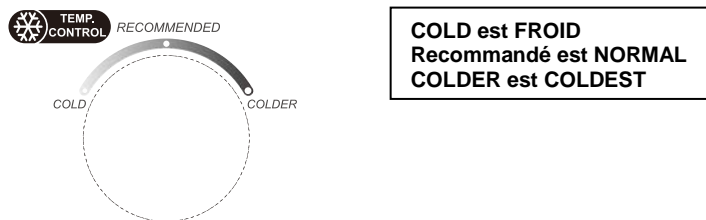
➤ Panneaux de contrôle de la température

Réfrigérateur Contrôle de la température



Standby est OFF, ce désactive toutes les fonctions de refroidissement, mais pas le pouvoir de l'unité.

contrôle Congélateur



➤ Réglage de la commande de température

- Votre réfrigérateur comporte une commande pour réguler la température. Le contrôle de température est situé sur la partie supérieure du compartiment réfrigérateur. Ainsi qu'un bouton de commande dans le congélateur pour équilibrer la distribution de l'air froid entre les deux compartiments.
- Le contrôle de la température dans le compartiment réfrigérateur va contrôler le cycle de refroidissement réelle alors que le bouton de commande dans le compartiment congélateur ajuster la distribution de l'air froid entre le congélateur et les compartiments du réfrigérateur.
- La première fois que vous allumez l'appareil, régler le bouton de commande de température à "FROID" dans le compartiment congélateur et "5" Dans le compartiment réfrigérateur et courir pendant au moins 4 heures avant de placer les aliments à l'intérieur. Cela assurera le congélateur est complètement refroidi et le compartiment réfrigérateur sera stabilisé avant la nourriture est placée. Puis retour sélecteur "**Conseillé**" position dans le compartiment congélateur et "3" Dans le compartiment réfrigérateur.
- Régler la commande de température au réglage qui convient le mieux à vos besoins. Le réglage de "3" Dans le compartiment réfrigérateur et "**Conseillé**" dans le compartiment congélateur distribuera l'air froid à parts égales entre les deux compartiments qui devraient être appropriés pour une utilisation à la maison ou au bureau réfrigérateur.
- Si vous en tout temps souhaitez distribuer une plus grande quantité d'air froid dans le congélateur par exemple, est une grande quantité de nourriture a été ajoutée au congélateur, il suffit de déplacer le contrôleur à la position "FROID" jusqu'à ce que la température désirée est atteinte alors retourner le contrôleur à la "**Conseillé**" position.
- Si vous voulez à tout moment pour distribuer une plus grande quantité d'air froid à la section du réfrigérateur, par exemple pour cuire rapidement vers le bas si une grande quantité d'aliments frais a été ajouté, il suffit de déplacer le contrôleur dans le congélateur à la "DU FROID" Position jusqu'à ce que la température désirée est atteinte, puis retourner le contrôleur à la "**Conseillé**" position.

REMARQUE:

- SI L'APPAREIL EST UNPLUGGED, A PERDU LE POUVOIR OU EST ÉTEINT, VOUS DEVEZ ATTENDRE 3 À 5 MINUTES AVANT REDÉMARRAGE DE L'UNITÉ. SI VOUS ESSAYEZ DE REDÉMARRER AVANT LE MOMENT DE RETARD, LE RÉFRIGÉRATEUR-CONGÉLATEUR NE DÉMARRE PAS.

REMARQUE:

NOUS NE RECOMMANDONS L'INSTALLATION DU RÉFRIGÉRATEUR où la température descend en dessous de 50°F (13°C) OU élevons au-dessus 110°F (43°C). LE COMPRESSEUR NE POURRA PAS maintenir la température appropriée dans le réfrigérateur.

Pour les installations où les températures descendent en dessous de 50° RÉGLER LA COMMANDE CONGELATEUR TEMPÉRATURE AU "COLDEST" PARAM. Cela permettra d'améliorer LE FONCTIONNEMENT DU RÉFRIGÉRATEUR DANS CES CONDITIONS.

➤ **Congélation Aliments Frais**

- L'utilisation correcte de l'appareil, l'emballage des aliments, la température correcte et en tenant compte des précautions d'hygiène va influencer sensiblement la qualité de la congélation de la nourriture ou de stockage des aliments surgelés.
- Ce compartiment est conçu pour le stockage à long terme des produits surgelés.
- La durée de conservation des aliments congelés varie et le temps de stockage recommandée ne doit pas être dépassée.
- Préemballés alimentaire commercialement congelé doit être conservé conformément aux instructions du fabricant d'aliments surgelés pour un trois étoiles compartiment de stockage des aliments congelés ou à la maison congélateur.
- Placez les aliments surgelés dans le congélateur le plus rapidement possible après l'achat. S'il y a des instructions sur le paquet, suivez attentivement les instructions concernant les temps de stockage.
- Soigneusement sélectionner les aliments que vous souhaitez geler, il devrait être de qualité suffisante et appropriée pour la congélation.
- Utiliser un emballage correct et envelopper serré.
- L'emballage doit être étanche à l'air et ne doit pas fuir car cela pourrait entraîner une perte de vitamine importante et la déshydratation des aliments.
- Foils et sacs doivent être assez pour bien doux envelopper les aliments.
- Lors de la préparation des aliments à congeler, envisager des précautions sanitaires.
- Mark paquets avec les données suivantes: type et la quantité d'aliments et la date du chargement.
- Il est extrêmement important que la nourriture est congelée aussi rapidement que possible.
- Si la quantité de charge est trop importante, la qualité du gel est réduite, ce qui affecte la qualité des aliments congelés.

SOINS ET ENTRETIEN

➤ **Installation de machine à glaçons**

Ce réfrigérateur-congélateur a la capacité d'utiliser une machine à glaçons automatique. La machine à glaçons automatique est en option et vendus séparément. Si vous désirez installer une machine à glaçons automatique, s'il vous plaît appelez le service pour obtenir des instructions d'installation.

➤ **Inverser la porte battante de votre appareil**

Ce réfrigérateur-congélateur a la capacité de l'ouverture de porte depuis le côté gauche ou côté droit. L'appareil est livré avec l'ouverture de la porte du côté gauche. Si vous désirez inverser le sens d'ouverture, s'il vous plaît appelez le service pour obtenir des instructions d'inversion.

➤ **Nettoyage de votre appareil**

- Débranchez l'unité, et enlever la nourriture et des paniers.
- Laver l'intérieur avec une solution d'eau et de bicarbonate de soude chaude. La solution devrait être d'environ 2 cuillères à soupe de bicarbonate de soude à un litre d'eau.
- Laver les paniers avec une solution de détergent doux.
- L'extérieur de l'appareil doit être nettoyé avec un détergent doux et de l'eau chaude.

PRUDENCE

Ne pas débrancher le réfrigérateur-congélateur pourrait entraîner un choc électrique ou de blessure.

➤ **Panne électrique**

La plupart des pannes de courant sont corrigées en quelques heures et ne devraient pas affecter la température de votre réfrigérateur-congélateur si vous réduisez le nombre de fois que la porte est ouverte. Si la puissance va être hors service pendant une longue période de temps, vous devez prendre les mesures appropriées pour protéger votre nourriture.

➤ **Période de vacances**

Courts séjours: Laissez l'appareil fonctionner pendant des congés de moins de trois semaines.

Longues vacances: Si l'appareil ne sera pas utilisé pendant plusieurs mois, retirez tous les aliments et débranchez le cordon d'alimentation. Nettoyer et sécher soigneusement l'intérieur. Pour éviter les odeurs et la croissance des moisissures, laisser la porte entrouverte: blocage ouverte si nécessaire

➤ **Déplacement de votre appareil**

- Retirez tous les aliments.
- Solidement ruban adhésif vers le bas tous les articles en vrac à l'intérieur de l'appareil.
- Tournez les vis de réglage jusqu'à la base pour éviter tout dommage.
- Collez la porte fermée.
- Assurez-vous que l'appareil reste en position verticale pendant le transport.

➤ **Économiser de l'énergie**

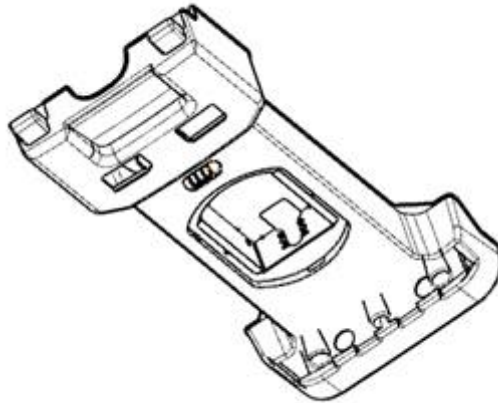
- L'appareil doit être situé dans la zone la plus froide de la pièce, loin de la chaleur produisant des appareils ou des conduits de chauffage, et hors de la lumière solaire directe.
- Laissez refroidir les aliments chauds à la température ambiante avant de les placer dans l'unité. Surcharge l'unité oblige le compresseur à fonctionner plus longtemps. Les aliments qui gèlent trop lentement peuvent perdre la qualité, ou gâter.
- Assurez-vous d'emballer les aliments et essuyez les contenants avant de les placer dans l'unité. Cela réduit l'accumulation de givre à l'intérieur du congélateur.
- Organiser et la nourriture de l'étiquette pour réduire les ouvertures de porte et les recherches prolongées. Retirez autant d'articles que nécessaire à un moment donné, et fermer la porte dès que possible.

➤ **Remplacement de votre ampoule (FF18D0W – Seulement)**

REMARQUE:

Toutes les pièces enlevées doivent être enregistrées pour faire le remplacement de l'ampoule. Avant de retirer l'ampoule, soit éteindre l'appareil ou débrancher l'électricité menant à l'appareil à l'alimentation principale. Ne pas le faire pourrait entraîner un choc électrique ou de blessure.

- Débranchez le cordon d'alimentation du mur.
- Tirer vers le bas pour retirer le couvercle de la lampe.
- Dévissez l'ampoule.
- Remplacez par une ampoule de 40 watts qui est la même forme et la taille.



➤ **Remplacement d'ampoule (FF21D0W série - SEULEMENT)**

REMARQUE:

- Votre appareil est équipé d'un système d'éclairage LED qui ne devrait pas besoin d'entretien, ni le changement des ampoules.
- Dans le même votre appareil nécessite un changement d'ampoule, contactez notre service pour acheter des pièces et des instructions sur la façon de changer le système LED.

PROBLÈMES AVEC VOTRE APPAREIL?

Vous pouvez résoudre de nombreux problèmes réfrigérateur-congélateur commun facilement, vous permet d'économiser le coût d'un appel de service possible. Essayez les suggestions ci-dessous pour voir si vous pouvez résoudre le problème avant d'appeler le service.

GUIDE DE DÉPANNAGE

PROBLÈME	CAUSE POSSIBLE
L'appareil ne fonctionne pas.	Non branché. Le disjoncteur est déclenché ou il y a un fusible grillé.
Compresseur allume et éteint fréquemment.	La température ambiante est plus chaude que la normale. Une grande quantité de nourriture a été ajoutée au réfrigérateur - congélateur. La porte est ouverte trop souvent. La porte ne se ferme pas complètement. Le contrôle de la température ne soit pas correcte. Le joint de la porte ne se referme pas correctement. Le congélateur réfrigérateur ne possède pas les autorisations correctes.
Vibrations.	Vérifiez pour assurer que le réfrigérateur - congélateur est de niveau.
L'unité semble faire trop de bruit.	Le bruit de cliquetis peut provenir de l'écoulement du fluide frigorigène, ce qui est normal. Comme chaque cycle se termine, vous pouvez entendre des gargouillis causés par l'écoulement du réfrigérant dans votre réfrigérateur - congélateur. Contraction et expansion des parois internes peuvent provoquer des craquements et des. L'unité est pas de niveau.
La porte ne se ferme pas correctement.	L'unité est pas de niveau. La porte est inversé et pas correctement installé. Le joint est sale. Les paniers sont hors de position.

SERVICE POUR VOTRE APPAREIL

Nous sommes fiers de notre organisation de service à la clientèle et le réseau de techniciens de services professionnels qui offrent des services sur votre réfrigérateur Avanti - congélateur. Avec l'achat de votre réfrigérateur Avanti - congélateur, vous pouvez être sûr que si vous avez besoin d'informations ou de l'aide, l'équipe du service à la clientèle Avanti Products sera là pour vous. Appelez-nous sans frais.

AVANTI PRODUITS SERVICES CLIENTS

Information produit 800-323-5029	Quelles que soient vos questions sur nos produits, l'aide est disponible.
Les commandes de la pièce 800-220-5570	Vous pouvez commander des pièces et accessoires qui seront livrés directement à votre domicile en utilisant un chèque personnel, mandat, Master Card ou Visa.
In-Home Repair Service 800-220-5570	Un centre de service Avanti Produits autorisé fournira un service de réparation expert, prévue à un moment qui vous convient. Nos réparateurs formés connaissent votre réfrigérateur-congélateur intérieur et l'extérieur.

<p>VOS PRODUITS AVANTI GARANTIE</p>	<p>Staple votre reçu de vente ici. Preuve de la date d'achat originale est nécessaire pour obtenir un service sous garantie.</p>
<p>CE QUI EST COUVERT - GARANTIE LIMITÉE D'UN AN</p>	
<p>Avanti Products garantit que le produit est exempt de défauts de matériaux et / ou de fabrication pour une période de douze (12) mois à compter de la date d'achat par le propriétaire initial. La durée commence à courir à la date d'achat, et ne sera pas retardée, restreinte, prolongée ou suspendu pour quelque raison que ce soit, sauf si décrit en détail dans le document de garantie. Pendant un an à compter de la date d'achat par le propriétaire d'origine, les produits Avanti seront, à sa discrétion, réparer ou remplacer toute partie du produit qui se révèle être un défaut de matériau ou de fabrication dans une utilisation normale. Avanti Products vous fournira un produit raisonnablement semblable nouveau ou remis à neuf. Au cours de cette période Avanti Products fournira toutes les pièces et la main-d'œuvre nécessaires pour corriger ces défauts gratuitement, aussi longtemps que le produit a été installé et utilisé conformément aux instructions écrites dans ce manuel. En usage locatif ou commercial, la période de garantie est de 90 jours. Tous les appareils de Avanti 4,2 pieds cubes la capacité ou moins doivent être traduits / envoyé au centre de service de l'appareil pour la réparation.</p>	
<p>DEUXIÈME LIMITÉE À LA CINQUIÈME ANNÉE GARANTIE</p>	
<p>Pour la deuxième à la cinquième année à partir de la date d'achat originale, Avanti Products fournira un compresseur de remplacement gratuit en raison d'un échec. Vous êtes responsable de la main-d'œuvre et de fret de service. En usage locatif ou commercial, la garantie du compresseur est limitée à un an et neuf mois. Les coûts impliqués pour déplacer le produit au centre de service et de retour à la maison de l'utilisateur, comme peut-être nécessaire, sont à la charge de l'utilisateur.</p>	
<p>EXCLUSIONS DE LA GARANTIE / NON COUVERTS:</p>	
<p>La couverture de la garantie décrite ici exclut tous les défauts ou les dommages qui ne sont pas la faute directe de Avanti Products, y compris, sans limitation, un ou plusieurs des éléments suivants:</p>	
<ul style="list-style-type: none"> • Un non-respect de tout État applicable, local, ville, ou du comté électricité, plomberie et / ou des codes du bâtiment, des règlements ou des lois, y compris le défaut d'installer le produit en stricte conformité avec le feu et les codes du bâtiment et les règlements locaux. • Les forces externes, élémentaires et / ou l'environnement et les facteurs, y compris, sans s'y limiter, la pluie, le vent, le sable, les inondations, les incendies, les coulées de boue, des températures de congélation, l'humidité excessive ou à une exposition prolongée à l'humidité, la foudre, les surtensions, les défaillances structurelles entourant l'appareil, et les actes de Dieu. 	<ul style="list-style-type: none"> • Les réparations effectuées par réparateurs non autorisés. • Les appels de service qui sont liés à des problèmes externes, tels que l'abus, l'alimentation électrique inadéquate, les accidents, les incendies, les inondations, ou tout autre acte de Dieu. • Une panne du produit si elle est utilisée pour autre chose que son intention but. • La garantie ne couvre pas en dehors de la Continental USA. • Surtaxes, y compris mais sans s'y limiter, toute après heure, les appels week-end, ou de services de vacances, les péages, les frais de voyage de convoyage ou les frais de kilométrage pour les appels de service dans les régions éloignées.
<ul style="list-style-type: none"> • les pertes de contenu de la nourriture ou d'autres contenus en raison de la détérioration. • Les dommages accessoires ou consécutifs • Pièces et coûts de main-d'œuvre pour les éléments suivants ne seront pas considérés comme garantie: <ul style="list-style-type: none"> • portes évaporateurs, ressorts de la porte, et / ou des cadres. • panneaux intérieurs de portes, des étagères de porte, rails de porte, et / ou supports de porte. • Bacs de végétales. • Les ampoules et / ou boîtier en plastique. • doublures d'armoires en plastique. • Évaporateur perforé annule la garantie sur le système scellé complet. • Les frais de transport et de manutention associés au remplacement de l'unité. 	
<p>En aucun cas, Avanti Products toute responsabilité ou responsabilité pour les dommages aux biens environnants, y compris les armoires, les planchers, les plafonds, et d'autres structures et / ou des objets autour du produit. Sont également exclus de cette garantie sont les égratignures, les entailles, les bosses mineures, et d'autres dommages esthétiques sur les surfaces externes et les parties exposées; Produits dont les numéros de série ont été modifiés, effacés ou supprimés; visites de service pour l'éducation à la clientèle, ou des visites où il n'y a rien de mal avec le produit; correction des problèmes d'installation (vous êtes seul responsable de toute structure et réglage pour le produit, y compris tous les systèmes électriques, de plomberie et / ou d'autres installations de raccordement, pour le bon plancher / fondation, et pour toute modification, y compris sans s'y limiter les armoires, les murs, les planchers, les étagères etc., ainsi que la remise à zéro des disjoncteurs ou fusibles.</p>	
<p>HORS DE LA GARANTIE DU PRODUIT</p>	
<p>Avanti Products est soumis à aucune obligation, en droit ou autrement, de vous fournir toutes les concessions, y compris les réparations, les pro-taux, ou le remplacement du produit, une fois la garantie expirée.</p>	

REGISTRATION INFORMATION

Thank you for purchasing this fine Avanti product. Please fill out this form and return it to the following address within 100 days from the date of purchase and receive these important benefits:

**Avanti Products LLC.
P.O.Box 520604 – Miami, Florida 33152**

➤ **Protect your product:**

We will keep the model number and date of purchase of your new Avanti product on file to help you refer to this information in the event of an insurance claim such as fire or theft.

➤ **Promote better products:**

We value your input. Your responses will help us develop products designed to best meet your future needs.

------(detach here)-----

Avanti Registration Card

Name	Model #	Serial #
Address	Date Purchased	Store / Dealer Name
City	State	Zip
E-mail Address		
Area Code	Phone Number	Occupation
Did You Purchase An Additional Warranty <input type="checkbox"/> Extended <input type="checkbox"/> None	As your Primary Residence, Do You: <input type="checkbox"/> Own <input type="checkbox"/> Rent	
Reason for Choosing This Avanti Product: Please indicate the most important factors That influenced your decision to purchase this product:	Your Age: <input type="checkbox"/> under 18 <input type="checkbox"/> 18-25 <input type="checkbox"/> 26-30 <input type="checkbox"/> 31-35 <input type="checkbox"/> 36-50 <input type="checkbox"/> over 50	
<input type="checkbox"/> Price <input type="checkbox"/> Product Features <input type="checkbox"/> Avanti Reputation <input type="checkbox"/> Product Quality <input type="checkbox"/> Salesperson Recommendation <input type="checkbox"/> Other: _____ <input type="checkbox"/> Friend / Relative Recommendation <input type="checkbox"/> Warranty <input type="checkbox"/> Other: _____	Marital Status: <input type="checkbox"/> Married <input type="checkbox"/> Single	
Comments: <hr style="border: 0; border-top: 1px solid black; margin: 5px 0;"/> <hr style="border: 0; border-top: 1px solid black; margin: 5px 0;"/>	Is This Product Used In The: <input type="checkbox"/> Home <input type="checkbox"/> Business	
How Did You Learn About This Product: <input type="checkbox"/> Advertising <input type="checkbox"/> In-Store Demo <input type="checkbox"/> Personal Demo		

FF18D0W FF18D1B FF18D3S SERIES
FF21D0W FF21D1B FF21D3S SERIES

03232017

PRINTED IN CHINA