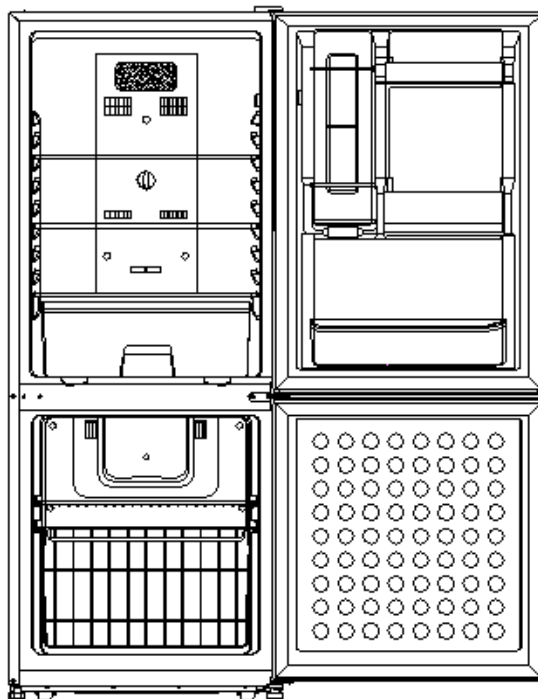




**INSTRUCTION MANUAL
MANUAL DE INSTRUCCIONES
GUIDE D'UTILISATION**

Model Numbers / No. de Modelos : FFBM920WH / FFBM922PH

**REFRIGERATOR / FREEZER
REFRIGERADOR / CONGELADOR
RÉFRIGÉRATEUR / CONGÉLATEUR**



BEFORE USE, PLEASE READ AND FOLLOW ALL SAFETY RULES AND OPERATING INSTRUCTIONS.

Avanti has a policy of continuous improvement on its products and reserves the right to change materials and specifications without notice.

**Avanti Products LLC
P.O. Box 520604 - Miami, Florida 33152
www.avantiproducts.com**

TABLE OF CONTENTS

Refrigerator Safety	3
Important Safeguides	4
Help Us Help You	5
Parts and Features	6
Important Safety Instructions	7
Installation Instructions	7
Before Using Your Appliance	7
Installation of Your Appliance	7
Electrical Connection	8
Reversing the Door Swing of Your Appliance	8
Operating Your Appliance	9
Temperature Control	9
Using Your Ice Cube Trays	9
Care and Maintenance	10
Cleaning Your Appliance	10
Moving Your Appliance	10
Energy Saving Tips	11
Troubleshooting Guide	12
Service for Your Appliance	13
Wiring Diagram	13
Your Avanti Products Warranty	14
Instrucciones en Español	15-18
Instructions en Français	19
Registration Information and Registration Card	35

REFRIGERATOR SAFETY

Your safety and the safety of others are very important.

We have provided many important safety messages in this manual for your appliance. Always read and obey all safety messages.



This is the Safety Alert Symbol. This symbol alerts you to potential hazards that can kill or injure you and others. All safety messages will follow the Safety Alert Symbol and either the words "DANGER", "WARNING" or "CAUTION".



Danger means that failure to heed this safety statement may result in severe personal injury or death.



Warning means that failure to heed this safety statement may result in extensive product damage, serious personal injury, or death.



Caution means that failure to heed this safety statement may result in minor or moderate personal injury, property or equipment damage.

All safety messages will alert you to know what potential hazard is, tell you how to reduce the chance of injury, and let you know what can happen if the instructions are not followed.

REFRIGERANT GAS WARNINGS

DANGER - Risk of fire or explosion. Flammable refrigerant used.

DO NOT use mechanical devices to defrost refrigerator. DO NOT puncture refrigerant tubing.

DANGER - Risque d'incendie ou d'explosion. Réfrigérant inflammable utilisé.

Ne pas utiliser de dispositifs mécaniques pour réfrigérateur à dégivrage. Ne pas percer la tuyauterie du réfrigérant

DANGER - Risk of fire or explosion. Flammable refrigerant used.

To be repaired only by trained service personnel. DO NOT puncture refrigerant tubing.

DANGER - Risque d'incendie ou d'explosion. Réfrigérant inflammable utilisé.

Pour être réparé que par du personnel qualifié. Ne pas percer la tuyauterie du réfrigérant.

CAUTION - Risk of fire or explosion. Flammable refrigerant used.

Consult repair manual / owner's guide before attempting to service this product. All safety precautions must be followed.

AVERTISSEMENT - Risque d'incendie ou d'explosion. Réfrigérant inflammable utilisé. Consultez réparation manuelle / propriétaire, guide avant d'essayer de réparer ce produit. Toutes les précautions doivent être suivies.

CAUTION - Risk of fire or explosion. Dispose of property in accordance with federal or local regulations. Flammable refrigerant used.

AVERTISSEMENT - Risque d'incendie ou d'explosion. Aliéner des biens conformément à la réglementation fédérale ou locale. Réfrigérant inflammable utilisé.

CAUTION - Risk of fire or explosion due to puncture of refrigerant tubing;

Follow handling instructions carefully. Flammable refrigerant used.

AVERTISSEMENT - Risque d'incendie ou d'explosion dus à la perforation des tuyaux de fluide réfrigérant, suivez attentivement les instructions remise. Réfrigérant inflammable utilisé

IMPORTANT SAFEGUIDES



Before the refrigerator is used, it must be properly positioned and installed as described in this manual, so read the manual carefully. To reduce the risk of fire, electrical shock or injury when using the refrigerator, follow basic precautions, including the following:

DANGER

- Plug into a grounded 3-prong outlet, do not remove grounding prong, do not use an adapter, and do not use an extension cord.
- It is recommended that a separate circuit, serving only your refrigerator be provided. Use receptacles that cannot be turned off by a switch or pull chain.
- Never clean refrigerator parts with flammable fluids. These fumes can create a fire hazard or explosion. And do not store or use gasoline or other flammable vapors and liquids in the vicinity of this or any other appliance. The fumes can create a fire hazard or explosion.
- Before proceeding with cleaning and maintenance operations, make sure the power line of the unit is disconnected.
- Do not connect or disconnect the electric plug when your hands are wet.
- Unplug the refrigerator or disconnect power before cleaning or servicing. Failure to do so can result in electrical shock or death.
- Do not attempt to repair or replace any part of your refrigerator unless it is specifically recommended in this manual. All other servicing should be referred to a qualified technician.

WARNING

FOLLOW WARNING CALL OUTS BELOW ONLY WHEN APPLICABLE TO YOUR MODEL

- Use two or more people to move and install refrigerator. Failure to do so can result in back or other injury.
- To ensure proper ventilation for your refrigerator, the front of the unit must be completely unobstructed. Choose a well-ventilated area with temperatures above 60°F (16°C) and below 90°F (32°C). This unit must be installed in an area protected from the element, such as wind, rain, water spray or drips.
- The refrigerator should not be located next to ovens, grills or other sources of high heat.
- The refrigerator must be installed with all electrical, water and drain connections in accordance with state and local codes. A standard electrical supply (115 V AC only, 60 Hz), properly grounded in accordance with the National Electrical Code and local codes and ordinances is required.
- Do not kink or pinch the power supply cord of refrigerator.
- The fuse (or circuit breaker) size should be 15 amperes.
- It is important for the refrigerator to be leveled in order to work properly. You may need to make several adjustments to level it.
- All installation must be in accordance with local plumbing code requirements.
- Make certain that the pipes are not pinched or kinked or damaged during installation.
- Check for leaks after connection.
- Never allow children to operate, play with or crawl inside the refrigerator.
- If you use the drainage container, you must set the drain select switch to OFF or the water can overflow from the drainage container
- Although the unit has been tested at the factory, due to long-term transit and storage, the first batch of ice cubes must be discarded.
- Do not use solvent-based cleaning agents or abrasives on the interior. These cleaners may damage or discolor the interior.
- Do not use this apparatus for anything other than its intended purpose.

HELP US HELP YOU...

Read this guide carefully.

It is intended to help you operate and maintain your new refrigerator-freezer properly.

Keep it handy to answer your questions. If you don't understand something or you need more assistance, please call:

**Avanti Customer Service
800-220-5570**

Keep proof of original purchase date (such as your sales slip) with this guide to establish the warranty period.

CAUTION:

THIS REFRIGERATOR-FREEZER IS NOT DESIGNED FOR THE STORAGE OF MEDICINE OR OTHER MEDICAL PRODUCTS.

Write down the model and serial numbers.

You will find them upper right hand corner of the outer wall on the right hand side of the unit.

Please write these numbers here:

Date of Purchase

Model Number

Serial Number

Use these numbers in any correspondence or service calls concerning your refrigerator-freezer.

If you received a damaged refrigerator-freezer, immediately contact the dealer (or builder) that sold you the refrigerator-freezer.

Save time and money. Before you call for service, check the Troubleshooting Guide. It lists causes of minor operating problems that you can correct yourself.

IF YOU NEED SERVICE

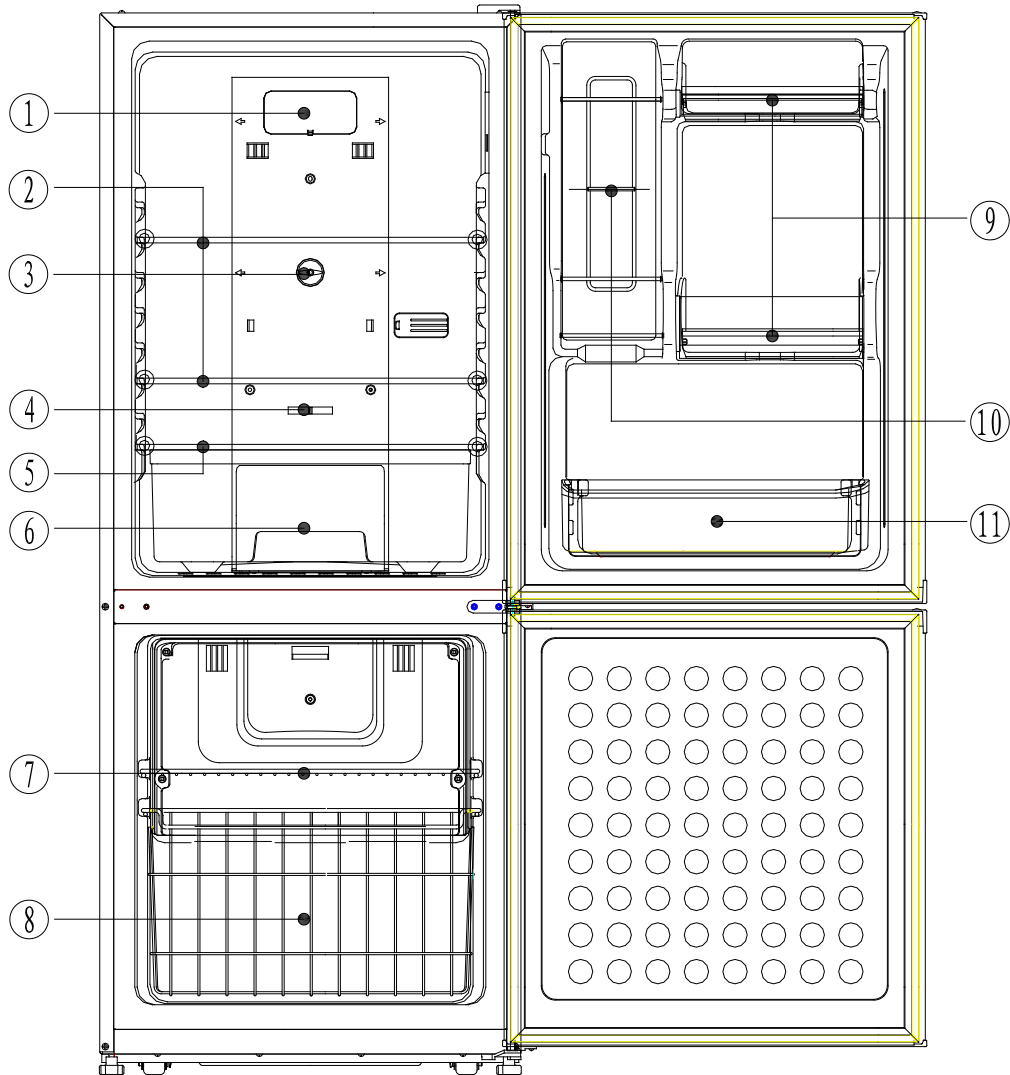
We're proud of our service and want you to be pleased. If for some reason you are not happy with the service you receive, here are some steps to follow for further assistance.

FIRST, contact the people who serviced your refrigerator-freezer. Explain why you are not satisfied. In most cases, this will solve the problem.

NEXT, if you are still not pleased, write all the details, including your telephone number, and send it to:

**Customer Service
Avanti Products
10880 NW 30 Street
Miami, FL 33172**

PARTS AND FEATURES



1	Interior LED Light	7	Freezer Shelf (Total 1)
2	Refrigerator Shelves (Total 2)	8	Freezer Basket (Total 1)
3	Refrigerator Temperature Control	9	Refrigerator Door Bins (Total 2)
4	Freezer Temperature Control	10	Can Dispenser
5	Crisper Cover	11	Bottle Storage Bin
6	Crisper		

IMPORTANT SAFETY INSTRUCTIONS

⚡WARNING⚡	To reduce the risk of fire, electrical shock, or injury when using your refrigerator-freezer, follow these basic precautions:
<ul style="list-style-type: none">• Read all instructions before using the refrigerator-freezer.• DANGER or WARNING: Risk of child entrapment. Child entrapment and suffocation are not problems of the past. Junked or abandoned refrigerator-freezers are still dangerous. . . even if they will “just sit in the garage a few days.”• Before you throw away your old refrigerator-freezer: Take off the doors. Leave the shelves in place so that children may not easily climb inside.• Never allow children to operate, play with, or crawl inside the refrigerator-freezer.• Never clean refrigerator-freezer parts with flammable fluids. The fumes can create a fire hazard or explosion.• Do not store or use gasoline or any other flammable vapors and liquids in the vicinity of this or any other refrigerator-freezer. The fumes can create a fire hazard or explosion. <p style="text-align: center;">-Save these instructions-</p>	

INSTALLATION INSTRUCTIONS

➤ **Before Using Your Appliance**

- Remove the exterior and interior packing.
- Check to be sure you have all of the following parts:
 - 1 Ice Cube Tray
 - 1 Freezer Shelf (Wire)
 - 2 Refrigerator Shelves (Glass)
 - 1 Freezer Basket
 - 3 Refrigerator Bins (2 – Standard) / (1 – 2 Liter Bottle Capacity)
 - 1 Instruction Manual
- Before connecting the unit to the power source, let it stand upright for approximately 2 hours. This will reduce the possibility of a malfunction in the cooling system from handling during transportation.
- Clean the interior surface with lukewarm water using a soft cloth.

➤ **Installation of Your Appliance**

- Place your refrigerator-freezer on a floor that is strong enough to support the refrigerator-freezer when it is fully loaded. To level your refrigerator-freezer, adjust the leveling legs at the bottom of unit.
- Allow 5 inches of space between the back and sides of the unit, which allows the proper air circulation to cool the compressor and condenser.
- Locate the unit away from direct sunlight and sources of heat (stove, heater, radiator, etc.). Direct sunlight may affect the acrylic coating and heat sources may increase electrical consumption. Extreme cold ambient temperatures may also cause the refrigerator-freezer not to perform properly.
- Avoid locating the unit in moist areas.
- Plug the unit into an exclusive properly installed-grounded wall outlet. Do not under any circumstances cut or remove the third (ground) prong from the power cord. Any questions concerning power and/or grounding should be directed toward a certified electrician or an authorized Avanti Products service center.

➤ **Electrical Connection**

⚡ Warning ⚡

Improper use of the grounded plug can result in the risk of electrical shock. If the power cord is damaged, have it replaced by an authorized Avanti Products service center.

This appliance should be properly grounded for your safety. The power cord of this appliance is equipped with a three-prong plug which mates with standard three prong wall outlets to minimize the possibility of electrical shock.

Do not under any circumstances cut or remove the third ground prong from the power cord supplied. For personal safety, this appliance must be properly grounded.

This appliance requires a standard 115/120 Volt AC ~/60Hz electrical ground outlet with three-prong. Have the wall outlet and circuit checked by a qualified electrician to make sure the outlet is properly grounded. When a standard 2-prong wall outlet is encountered, it is your responsibility and obligation to have it replaced with a properly grounded 3-prong wall outlet.

The cord should be secured behind the appliance and not left exposed or dangling to prevent accidental injury.

The appliance should always be plugged into its own individual electrical outlet which has a voltage rating that matches the rating label on the appliance. This provides the best performance and also prevent overloading house wiring circuits that could cause a fire hazard from overheated. Never unplug the appliance by pulling the power cord. Always grip the plug firmly and pull straight out from the receptacle. Repair or replace immediately all power cords that have become frayed or otherwise damaged. Do not use a cord that shows cracks or abrasion damage along its length or at either end. When moving the appliance, be careful not to damage the power cord.

➤ **Extension Cord**

Because of potential safety hazards under certain conditions, it is strongly recommended that you do not use an extension cord with this appliance. However, if you must use an extension cord it is absolutely necessary that it be a UL/CUL-Listed, 3-wire grounding type appliance extension cord having a grounding type plug and outlet and that the electrical rating of the cord be 115 volts and at least 10 amperes.

➤ **Surge Protector**

Most electrical appliances use a series of electric control boards to operate. These boards are very susceptible to power surges and could be damaged or destroyed.

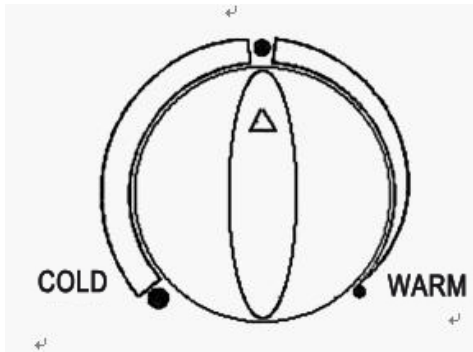
If the appliance is going to be used in an area or if your city / country is prone to power surges / outages; it is suggested that you use a power surge protector for all electrical devices / appliances you use. The surge protector that you select must have a surge block high enough to protect the appliance it is connected to. If you have any questions regarding the type and size of surge protector needed contact a licensed electrician in your area.

Damages due to power surges are not considered a manufacturer covered defect and will void your product warranty.

OPERATING YOUR APPLIANCE

➤ Temperature Control Panels

Refrigerator Temperature Control



Freezer Temperature Control



➤ Setting the Temperature Control

Your refrigerator has a separate control for regulating the temperature for each section independently. The temperature controls are located at the rear of refrigerator section. (See the graphics shown above).

- The range of the temperature controls are from position “WARM” to “COLD” the coldest in refrigerator section and from position “WARM” the warmest to “COLD” the coldest. After 24 to 48 hours, adjust the temperature control to the setting that best suits your needs. The setting of “MED” in freezer section and the mid range marked “●” between “WARM” and “COLD” in refrigerator section should be correct for home or office refrigerator use.

NOTE:

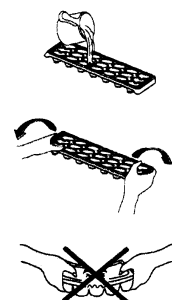
AMBIENT TEMPERATURES BELOW 50°F (10°C) WILL AFFECT THE OPERATION OF YOUR REFRIGERATOR. WHEN THE UNIT IS PLACED IN AN AREA WHERE THE TEMPERATURE DROPS LOWER THAN 50°F (10°C), SET THE TEMPERATURE CONTROLS SELECTORS TO “COLD” IN BOTH THE REFRIGERATOR AND FREEZER SECTIONS.

NOTE:

- IF THE UNIT IS UNPLUGGED, HAS LOST POWER, OR IS TURNED OFF, YOU MUST WAIT 3 TO 5 MINUTES BEFORE RESTARTING THE UNIT. IF YOU ATTEMPT TO RESTART BEFORE THIS TIME DELAY, THE REFRIGERATOR-FREEZER WILL NOT START.
- TURNING THE REFRIGERATOR TEMPERATURE CONTROL TO “OFF” POSITION STOPS THE COOLING CYCLE BUT DOES NOT SHUT OFF THE POWER TO THE UNIT.

➤ Using Your Ice Cube Tray

- Recommended thermostat setting for ice making is position “COLD”.
- Fill the ice cube tray (two thirds of it) with cold water or with any liquid suitable for freezing and place the tray on the bottom of the freezer to freeze properly.
- Dry the tray, otherwise it may stick to the bottom of the freezer.
- The best method to get ice cubes out of the tray is to hold the tray under cold tap water for a second.
- To eject the ice cubes from the tray, place over the ice bucket and twist slightly



➤ **Freezing Fresh Foods**

- Proper use of the appliance, adequately packed food, correct temperature and taking into account hygienic precautions will substantially influence the quality of freezing the food or storing of the frozen foods.
- This compartment is designed for the long-term storage of frozen food.
- The storage life of frozen foods varies and the recommended storage time should not be exceeded.
- Pre-packed commercially frozen food should be stored in accordance with the frozen foods manufacturer's instructions for a three star frozen food storage compartment or home freezer.
- Place frozen food into the freezer as quickly as possible after purchase. If there are instructions on the packet, carefully follow these instructions regarding storage times.
- Carefully select food you intend to freeze, it should be of adequate quality and suitable for freezing.
- Use correct packaging and wrap it tight.
- The packaging should be airtight and shouldn't leak since this could cause substantial vitamin loss and dehydration of foods.
- Foils and bags should be soft enough to tightly wrap around the foods.
- When preparing foods to be frozen, consider sanitary precautions.
- Mark packages with following data: kind and amount of foods and the date of loading.
- It is extremely important that the food is frozen as quickly as possible.
- If the loading amount is too large, the quality of freezing is reduced which affects the quality of frozen foods.

CARE AND MAINTENANCE

➤ **Cleaning Your Appliance**

- Turn the temperature control to "OFF", unplug the unit, and remove the food and baskets.
- Wash the inside with a warm water and baking soda solution. The solution should be about 2 tablespoons of baking soda to a quart of water.
- Wash the baskets with a mild detergent solution.
- The outside of the unit should be cleaned with mild detergent and warm water.

CAUTION

Failure to unplug the refrigerator-freezer could result in electrical shock or personal injury.

➤ **Power Failure**

Most power failures are corrected within a few hours and should not affect the temperature of your refrigerator-freezer if you minimize the number of times the door is opened. If the power is going to be off for a longer period of time, you need to take the proper steps to protect your food.

➤ **Vacation Time**

Short vacations: Leave the unit operating during vacations of less than three weeks.

Long vacations: If the appliance will not be used for several months, remove all food and unplug the power cord. Clean and dry the interior thoroughly. To prevent odor and mold growth, leave the door open slightly: blocking it open if necessary

➤ **Moving Your Appliance**

- Remove all the food.
- Securely tape down all loose items inside your unit.
- Turn the leveling screws up to the base to avoid damage.
- Tape the door shut.
- Be sure the unit stays in the upright position during transportation.

➤ **Energy Saving Tips**

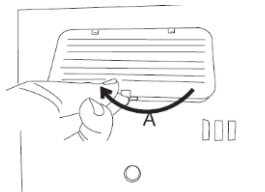
- The unit should be located in the coolest area of the room, away from heat producing appliances or heating ducts, and out of direct sunlight.
- Let hot foods cool to room temperature before placing them in the unit. Overloading the unit forces the compressor to run longer. Foods that freeze too slowly may lose quality, or spoil.
- Be sure to wrap foods properly, and wipe containers dry before placing them in the unit. This cuts down on frost build-up inside the freezer.
- Organize and label food to reduce door openings and extended searches. Remove as many items as needed at one time, and close the door as soon as possible.

➤ **Interior Light – Removal / Replacement.**

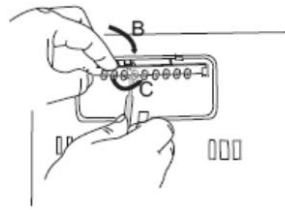
Before removing the light bulb, turn off the refrigerator first and then unplug the unit from the wall outlet.

Failure to do so could result in electrical shock or personal injury.

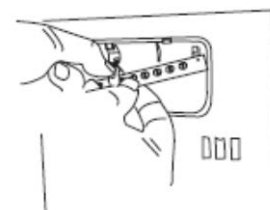
- As shown in Figure step 1, remove the lamp cover;
- As shown in Figure step 2, use left hand to press the LED light panel to inside along the direction of arrow B and pull out the circuit boards along the direction of “arrow C” with flat head screwdriver.
- As shown in Figure step 3, hold down of wire terminal with left hand and remove the LED lamp circuit with right hand seizing the other wire terminal .
- Replace with LED light that is the same shape and size.
- Reinstall the LED light panel and lamp cover.



Step 1



Step 2



Step 3

PROBLEMS WITH YOUR APPLIANCE?

You can solve many common refrigerator-freezer problems easily, saving you the cost of a possible service call. Try the suggestions below to see if you can solve the problem before calling for service.

TROUBLESHOOTING GUIDE

PROBLEM	POSSIBLE CAUSE
Unit does not operate.	Not plugged in. The circuit breaker tripped or there is a blown fuse. The refrigerator-freezer temperature control is set at "OFF".
Compressor turns on and off frequently.	The room temperature is hotter than normal. A large amount of food has been added to the refrigerator - freezer. The door is opened too often. The door is not closed completely. The temperature control is not set correctly. The door gasket does not seal properly. The refrigerator -freezer does not have the correct clearances.
Vibrations.	Check to assure that the refrigerator - freezer is level.
The unit seems to make too much noise.	The rattling noise may come from the flow of the refrigerant, which is normal. As each cycle ends, you may hear gurgling sounds caused by the flow of refrigerant in your refrigerator - freezer. Contraction and expansion of the inside walls may cause popping and crackling noises. The unit is not level.
The door will not close properly.	The unit is not level. The door is reversed and not properly installed. The gasket is dirty. The baskets are out of position.

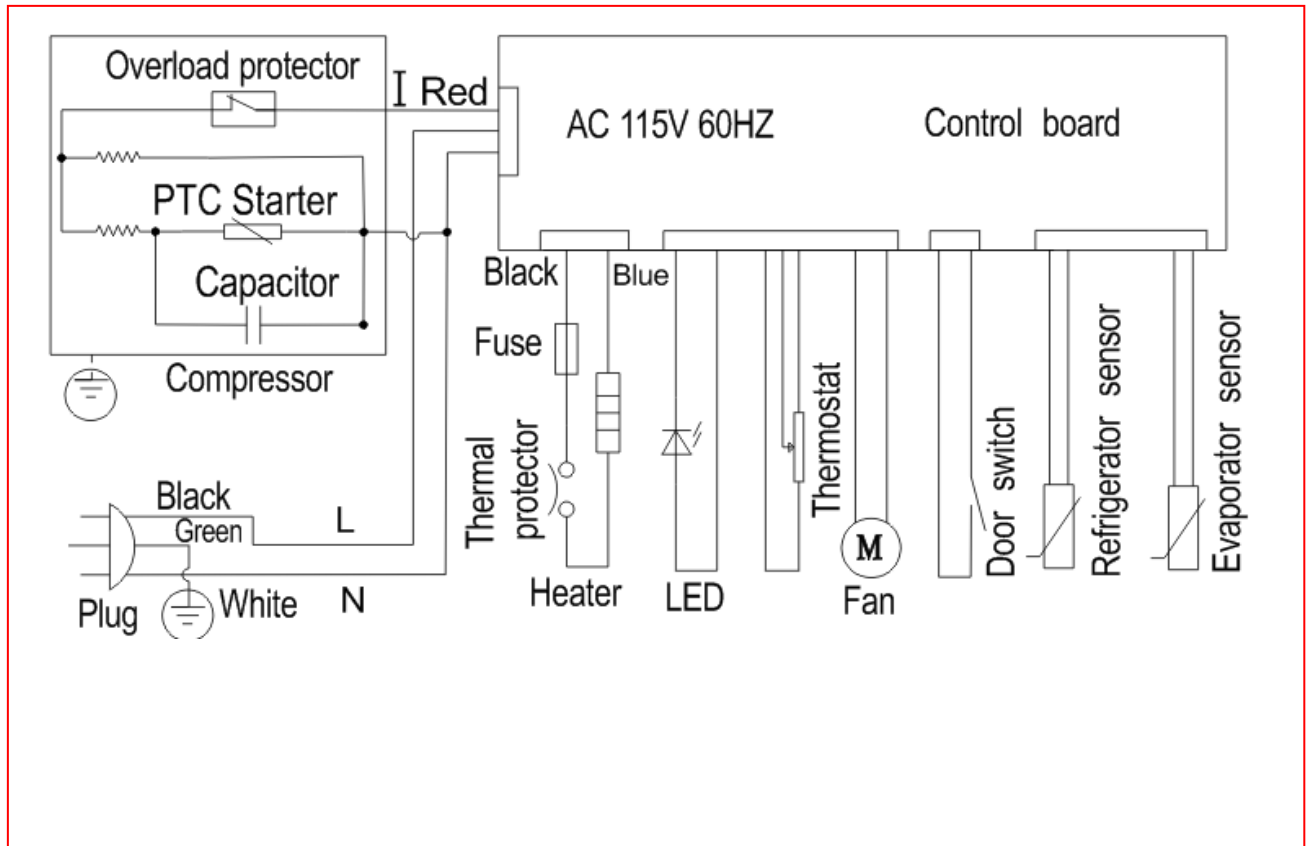
SERVICE FOR YOUR APPLIANCE

We are proud of our customer service organization and the network of professional service technicians that provide service on your Avanti refrigerator - freezer. With the purchase of your Avanti refrigerator - freezer, you can be confident that if you ever need additional information or assistance, the Avanti Products Customer Service team will be here for you. Just call us toll-free.

AVANTI PRODUCTS CUSTOMER SERVICES

Product Information 800-323-5029	Whatever your questions are about our products, help is available.
Part Orders 800-220-5570	You may order parts and accessories that will be delivered directly to your home using personal check, money order, Master Card, or Visa.
In-Home Repair Service 800-220-5570	An Avanti Products authorized service center will provide expert repair service, scheduled at a time that is convenient for you. Our trained servicers know your refrigerator-freezer inside and out.

WIRING DIAGRAM



YOUR AVANTI PRODUCTS WARRANTY	Staple your sales receipt here. Proof of original purchase date is needed to obtain service under warranty.
<u>WHAT IS COVERED – LIMITED ONE-YEAR WARRANTY</u>	
Avanti Products warrants that the product is free from defects in materials and/or workmanship for a period of twelve (12) months from the date of purchase by the original owner. The foregoing timeline begins to run upon the date of purchase, and shall not be stalled, tolled, extended, or suspended for any reason whatsoever unless described in detail in the warranty document. For one year from the date of purchase by the original owner, Avanti products will, at its option, repair or replace any part of the product which proves to be defective in material or workmanship under normal use. Avanti Products will provide you with a reasonably similar product that is either new or factory refurbished. During this period Avanti Products will provide all parts and labor necessary to correct such defects free of charge, so long as the product has been installed and operated in accordance with the written instructions in this manual. In rental or commercial use, the warranty period is 90 days. All Avanti appliances of 4.2 cubic feet capacity or less must be brought/sent to the appliance service center for repair.	
<u>LIMITED SECOND THROUGH FIFTH YEAR WARRANTY</u>	
For the second through the fifth year from the date of original purchase, Avanti Products will provide a replacement compressor free of charge due to a failure. You are responsible for the service labor and freight charges. In rental or commercial use, the limited compressor warranty is one year and nine months. Costs involved to move the product to the service center and back to the user's home, as maybe required, are the user's responsibility.	
<u>WARRANTY EXCLUSIONS / WHAT IS NOT COVERED:</u>	
The warranty coverage described herein excludes all defects or damage that are not the direct fault of Avanti Products, including without limitation, one or more of the following:	
<ul style="list-style-type: none"> ● A failure to comply with any applicable state, local, city, or county electrical, plumbing and/or building codes, regulations, or laws, including failure to install the product in strict conformity with local fire and building codes and regulations. ● Any external, elemental and/or environmental forces and factors, including without limitation, rain, wind, sand, floods, fires, mud slides, freezing temperatures, excessive moisture or extended exposure to humidity, lightning, power surges, structural failures surrounding the appliance, and acts of God. 	
<ul style="list-style-type: none"> ● Content losses of food or other content due to spoilage. ● Incidental or consequential damages ● Parts and labor costs for the following will not be considered as warranty: <ul style="list-style-type: none"> ● Evaporator doors, door springs, and/or frames. ● Inner door panels, door shelves, door rails, and/or door supports. ● Vegetable crispers. ● Light bulbs and/or plastic housing. ● Plastic cabinet liners. ● Punctured evaporator that voids the warranty on the complete sealed system. 	<ul style="list-style-type: none"> ● Shipping and handling costs associated with the replacement of the unit. ● Repairs performed by unauthorized servicers. ● Service calls that are related to external problems, such as abuse, misuse, inadequate electrical power, accidents, fire, floods, or any other acts of God. ● Failure of the product if it is used for other than its intended purpose. ● The warranty does not apply outside the Continental USA. ● Surcharges including but not limited to, any after hour, weekend, or holiday service calls, tolls, ferry trip charges, or mileage expense for service calls to remote areas.
In no event shall Avanti Products have any liability or responsibility whatsoever for damage to surrounding property, including cabinetry, floors, ceilings, and other structures and/or objects around the product. Also excluded from this warranty are scratches, nicks, minor dents, and other cosmetic damages on external surfaces and exposed parts; Products on which the serial numbers have been altered, defaced or removed; service visits for customer education, or visits where there is nothing wrong with the product; correction of installation problems (you are solely responsible for any structure and setting for the product, including all electrical, plumbing and/or other connecting facilities, for proper foundation/flooring, and for any alterations including without limitation cabinetry, walls, floors, shelving etc., as well as the resetting of breakers or fuses.	
<u>OUT OF WARRANTY PRODUCT</u>	
Avanti Products is under no obligation, at law or otherwise, to provide you with any concessions, including repairs, pro-rates, or product replacement, once this warranty has expired.	
<small>WARRANTY – REFRIGERATION - COMPRESSOR</small>	

INSTRUCCIONES EN ESPAÑOL

PRECAUCION	Para reducir el riesgo de incendio, descarga eléctrica, o daño cuando use su electrodoméstico, siga las siguientes precauciones.
<ul style="list-style-type: none">• Lea todas las instrucciones antes de usar su electrodoméstico.• Peligro o Precaución: Existe el riesgo que los niños queden atrapados.• Niños atrapados o sofocamiento no son un problema del pasado. Los electrodomésticos son peligrosos aún si solo los deja en el garaje por un par de días.• Antes de desechar su electrodoméstico o refrigerador usado: quítele las puertas. Deje las repisas en su lugar para evitar que los niños se queden atrapados.• No permita que los niños manejen, jueguen o entren dentro del electrodoméstico.• No limpie su electrodoméstico con líquidos inflamables. Los gases pueden ocasionar fuego o una explosión.• No guarde ni use gasolina u otros líquidos inflamables cerca de este o de cualquier otro electrodoméstico. Los vapores pueden ocasionar fuego o explosión. <p style="text-align: center;">- <u>Guarde estas instrucciones</u>-</p>	

INSTRUCCIONES PARA LA INSTALACION

Antes de usar su equipo

- Retire la envoltura interna y externa.
- Antes de conectar su electrodoméstico a la corriente eléctrica, ubíquelo en posición vertical sobre una superficie plana por lo menos por 2 horas. Esto reducirá la posibilidad de malfuncionamiento en el sistema de enfriamiento por el manipuleo durante el transporte.
- Limpie la superficie interior con agua tibia usando un trapo suave.

Instalación de su electrodoméstico

- Ubique su electrodoméstico en un piso que sea lo suficientemente fuerte para soportar su peso cuando este totalmente lleno o cargado. Para nivelar el electrodoméstico, ajuste las patas delanteras.
- Deje aproximadamente 5 pulgadas de espacio entre la parte trasera y los costados de su electrodoméstico, así permitirá la circulación de aire necesaria para enfriar el compresor.
- Mantenga su electrodoméstico alejado del aire caliente, vapor o líquidos que puedan salpicarlo, ya que la unidad podría averiarse.
- Los rayos solares directos pueden malograr la capa acrílica, y las fuentes de calor pueden ocasionar un aumento en el consumo eléctrico. Manténgalo lo más alejado posible del agua para prevenir algún choque eléctrico. Evite los sitios húmedos y los ambientes extremadamente fríos ya que esto puede afectar la eficiencia del enfriamiento de su electrodoméstico.
- Evite ubicar su electrodoméstico en áreas mojadas o muy húmedas.
- Conecte el electrodoméstico a un enchufe de pared exclusivo con conexión a tierra. Bajo ninguna razón se debe retirar la tercera punta del enchufe. Cualquier consulta con respecto a la energía y/o cable de tierra debe ser dirigida a un electricista certificado o autorizado por el Servicio Técnico de Avanti Products.

➤ **Conexión Eléctrica**

⚡ ADVERTENCIA ⚡

EL USO INAPROPIADO DEL ENCHUFE A TIERRA PUEDE OCASIONAR RIESGO DE UN CHOQUE ELECTRICO. SI EL CORDON SE DAÑASE, LLEVELO A UN CENTRO DE SERVICIO AUTORIZADO POR AVANTI PRODUCTS PARA QUE SE REEMPLACE.

- Para su seguridad, esta máquina de hacer hielo debe estar apropiadamente conectada a tierra. El cordón eléctrico de esta máquina de hacer hielo esta equipado con un enchufe de tres puntas, el cual encaja perfectamente en los receptáculos/enchufes de pared de tres puntas estándar, para minimizar la posibilidad de un choque eléctrico.
- Bajo ninguna circunstancia corte o retire la tercera punta (cable a tierra) del enchufe del cordón eléctrico.
- Nunca use un cable de extensión para conectar la unidad a la electricidad.
- Nunca use un adaptado con enchufe de solo 2 puntas.
- Si solo puede conectar la máquina de hacer hielo a un receptáculo/enchufe de pared de 2 puntas, comuníquese con un electricista calificado para que reemplace ese receptáculo/enchufe de pared por uno de 3 puntas, de acuerdo con los códigos de electricidad aplicables.
- Esta máquina de hacer hielo requiere un receptáculo/enchufe de pared de tres puntas estándar de 115/120 voltios a.c.-/60hz.
- Para prevenir cualquier daño físico o lesión, el cordón debe ser asegurado detrás de la máquina de hacer hielo y no estar expuesto o colgando.

➤ **Cable de Extensión**

Debido al posible riesgo de seguridad causado bajo ciertas circunstancias, se recomienda firmemente que no use un cable de extensión para este electrodoméstico. Sin embargo, si no tiene otra opción mas que usar un cable de extensión, asegúrese que este sea un cable de extensión para electrodomésticos que este listado bajo UL/CUL, que tenga enchufe y receptáculo para enchufe de tres puntas (cable a tierra) y que la capacidad del cordón eléctrico sea de 115 voltios y no menos de 10 amperios.

➤ **Protector contra variaciones de corriente eléctrica (Surge Protector).**

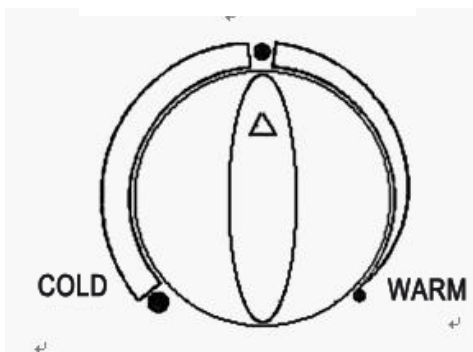
La mayoría de electrodomésticos utilizan una series de paneles de control para operar. Estos paneles son muy susceptibles a las variaciones de corriente eléctrica, las cuales causan que estos se dañen o destruyen.

Si vive en un área o ciudad donde hay muchas variaciones de corriente o apagones, se recomienda que utilice un protector contra variaciones de corriente para todos los electrodomésticos y aparatos eléctricos. El protector que elija debe bloquear una variación de electricidad alta para poder proteger el electrodoméstico al cual está conectado. Por favor contáctese con un electricista licenciado en su área si tuviera preguntas en referencia al tipo y tamaño de protector que necesita.

Daños debido a variaciones de electricidad no se consideran un defecto del fabricante y podrían anular la garantía.

Como graduar la temperatura

REFRIGERADOR



CONGELADOR



Para ajustar la temperatura interna de su unidad, ajuste los controles considerando la temperatura ambiental.

Una vez conectada su unidad, mueva el control de la temperatura hacia la posición "COLD" en el compartimiento del refrigerador, por 2 horas.

Después muévelo a la posición marcada "●" entre las posiciones "COLD" y "WARM".

En el compartimiento del congelador, haga lo mismo.

Después muévelo a la posición "MED".

Las posiciones en ambos controles funcionan de la siguiente manera:

En el compartimiento del refrigerador,

La posición "WARM" Menos Frío/ La posición "COLD" más Frío

En el compartimiento del congelador,

La posición "WARM" Menos Frío/ La posición "COLD" más Frío

Una vez transcurrida 24 ó 48 horas, Usted deber reajustar los controles en ambos compartimientos hacia temperaturas apropiadas a sus necesidades.

USO DE LA CUBETERA DE HIELO

- Llene la bandeja de cubitos de hielo con agua hasta el nivel señalado ($\frac{3}{4}$ de la altura) y colóquela en el espacio designado.
- Asegúrese que la cubetera de guardar los cubitos de hielo esté situada debajo de la bandeja.
- Espere a que se formen los cubitos de hielos.

Nota: Para obtener hielos se recomienda que Ud. espere una hora como mínimo en la posición del congelador en temperatura (6).

CUIDADOS EN LOS PERIODOS DE AUSENCIA

- Para cortos períodos de ausencia (menos de 21 días) el congelador podrá quedar funcionando. Coloque el botón de control de temperaturas en la posición mínima.
- En períodos de ausencia más largos, se aconseja dejar el refrigerador limpio y desconectado.
- Retire todo lo que tenga adentro del refrigerador y haga el deshielo y la limpieza general. También retire las cubeteras, limpie bien y séquelas internamente.
- Deje la puerta entreabierta para penetre el aire y así evitar la formación de olores.

Compartimiento de su congelador

- Este compartimiento está diseñado para un período largo (3 meses) de almacenamiento de alimentos congelados.
- El tiempo de almacenamiento de los alimentos congelados varía y se recomienda almacenarlos solamente mientras esté vigente la fecha de expiración.
- Alimentos congelados preenvasados comercialmente deben ser almacenados de acuerdo con las indicaciones de su fabricante.
- Coloque los alimentos congelados dentro de su electrodoméstico inmediatamente después de comprarlos. Si hay indicaciones en el envase, sígalas cuidadosamente considerando el

tiempo de almacenamiento.

CUIDADO Y MANTENIMIENTO

ADVERTENCIA

No use agua hirviendo porque dañará las partes de plástico.

ADVERTENCIA

Asegúrese de desconectar el electrodoméstico de la corriente eléctrica. Si no lo hace, puede ocasionar un choque eléctrico o herirse.

Limpiando su electrodoméstico

- Gire el control de temperatura a "OFF", desconecte el electrodoméstico y retire los alimentos.
- Lave el interior con agua tibia y un trapo suave remojado en una solución de Bicarbonato de Sodio. La solución consiste en 2 cucharadas del referido compuesto químico y un litro de agua.
- Lave la canasta de almacenaje con un detergente suave.
- Las partes externas de su electrodoméstico deben ser limpiadas con un detergente suave y agua tibia.

Si falla el suministro eléctrico

Usualmente la electricidad regresa en unas pocas horas sin afectar la temperatura de su electrodoméstico, siempre que la puerta no se abra muy frecuentemente. Si le va a faltar electricidad por un período de tiempo más largo, usted debe tomar los pasos apropiados para proteger sus alimentos.

Si usted sale de vacaciones

Retire todos los alimentos si va a estar ausente por un período largo; desconecte y limpie su electrodoméstico.

Deje la puerta del electrodoméstico ligeramente abierta para evitar la formación de mal olor y moho.

Para mover su electrodoméstico

- Retire los alimentos.
- Asegúrese de colocar cinta adhesiva a todo lo que se puede caer dentro de su electrodoméstico.
- Retire las patas para prevenir que se dañen.
- Selle las puertas con cinta adhesiva.
- Asegúrese que el electrodoméstico se mantenga parado durante el traslado.

Consejos para ahorrar energía

- Su electrodoméstico debe estar ubicado en el área más fría de la habitación, alejado de electrodomésticos que produzcan calor o conductos de aire caliente y lejos de los rayos solares.
- Los alimentos calientes deben estar a temperatura ambiental antes de colocarlos en el electrodoméstico. Si sobrecarga su electrodoméstico forzará al compresor a funcionar más tiempo del normal. Los alimentos que se congelan lentamente pierden calidad y se malogran.
- Asegúrese de envolver adecuadamente los alimentos y de secar los empaques o contenedores antes de colocarlos dentro del electrodoméstico. Colocarlos mojados ocasiona escarcha en el electrodoméstico.
- La canasta de almacenaje de su electrodoméstico no debe ser forrada con papel aluminio, papel de cera o papel toalla ya que esto interfiere con la circulación del aire frío restando eficiencia a su electrodoméstico.
- Organice y coloque etiquetas en los envases de los alimentos con la finalidad de encontrar rápidamente lo que usted está buscando. Retire la mayor cantidad posible de cosas que necesita a la vez y cierre la puerta del electrodoméstico tan pronto le sea posible.

Table des matières

Règles de sécurité relatives au réfrigérateur	20
Précautions importantes	21 – 22
Aidez-nous à vous aider	23
Pièces et caractéristiques	25
Importantes consignes de sécurité	26
Instructions d'installation	26
Avant d'utiliser l'appareil	26
Installation de l'appareil	26
Connexions électriques	27
Inversion du sens d'ouverture de la porte	27
Utilisation de l'appareil	28
Commande de température	28
Utilisation du plateau à glaçons	28
Entretien	29
Nettoyage de l'appareil	29
Déplacement de l'appareil	30
Conseils écoénergétiques	30
Guide de dépannage	31
Service à la clientèle	32
Schéma de câblage	32
Garantie de Avanti Products	33
Renseignements et fiche d'enregistrement	35

RÈGLES DE SÉCURITÉ RELATIVES AU RÉFRIGÉRATEUR

La sécurité de tous est très importante.

Vous trouverez de nombreuses règles de sécurité importantes dans le présent guide d'utilisation. Lisez et suivez toujours toutes les règles de sécurité.



Voici le symbole d'alerte. Ce symbole vous prévient des dangers éventuels qui peuvent mettre votre vie et celle des autres en danger, ou qui peuvent vous blesser ou blesser d'autres personnes. Toutes les règles de sécurité seront indiquées après ce symbole et les mots « DANGER », « AVERTISSEMENT » ou « MISE EN GARDE ».



« Danger » signifie que le fait d'ignorer lesdites règles de sécurité peut entraîner des blessures graves ou la mort.



« Avertissement » signifie que le fait d'ignorer lesdites règles de sécurité peut causer des dommages importants au produit, des blessures graves ou la mort.



« Mise en garde » signifie que le fait d'ignorer lesdites règles de sécurité peut causer des blessures mineures ou modérées, ou endommager des biens personnels ou l'appareil.

Chacune des règles de sécurité précise le danger éventuel, indique comment réduire les risques de blessures, et énonce les conséquences possibles si les consignes sont ignorées.

PRÉCAUTIONS IMPORTANTES



Avant d'utiliser le réfrigérateur, assurez-vous qu'il est dans la bonne position et installé conformément aux instructions contenues dans le guide; veuillez donc lire attentivement le guide d'utilisation. Pour diminuer les risques d'incendie, de choc électrique ou de blessure pendant l'utilisation du réfrigérateur, veuillez observer les précautions de base suivantes, y compris :



- Branchez l'appareil dans une prise tripolaire, ne retirez pas la broche de masse, et n'utilisez ni adaptateur ni rallonge électrique.
- Il est recommandé que le réfrigérateur soit alimenté en courant par un circuit électrique dédié. Utilisez des prises de courant qu'il est impossible d'éteindre à l'aide d'un interrupteur ou d'une tirette.
- Ne nettoyez jamais les pièces du réfrigérateur avec des produits liquides inflammables. Les vapeurs qui s'en dégagent peuvent causer un incendie ou une explosion. N'entreposez ou n'utilisez pas d'essence ou d'autres produits ou liquides inflammables à proximité du réfrigérateur ou de tout autre appareil. Les vapeurs qui s'en dégagent peuvent causer un incendie ou une explosion.
- Avant de nettoyer ou de procéder à un entretien, assurez-vous que la ligne d'alimentation de l'appareil est débranchée.
- Ne branchez pas et ne débranchez pas la fiche d'alimentation électrique avec les mains mouillées.
- Débranchez le réfrigérateur ou coupez l'alimentation avant de nettoyer ou de procéder à un entretien. Le fait d'ignorer ces consignes de sécurité peut causer un choc électrique ou la mort.
- N'essayez pas de réparer ou de remplacer l'une ou l'autre des pièces du réfrigérateur, à moins que cela ne soit spécifiquement recommandé dans le présent guide. Toute autre réparation doit être effectuée par un technicien qualifié.



DANS LA LISTE DES AVERTISSEMENTS ÉNONCÉS CI-DESSOUS, NE TENEZ COMPTE QUE DE CEUX QUI S'APPLIQUENT À VOTRE APPAREIL

- Le déplacement et l'installation du réfrigérateur doivent être effectués par au moins deux personnes. Le fait d'ignorer ces consignes de sécurité peut entraîner des blessures au dos ou autres.
- Pour assurer une ventilation adéquate du réfrigérateur, veillez à ce que l'espace à l'avant de l'appareil soit entièrement libre. Installez l'appareil dans un endroit bien ventilé dont la température varie entre 60 °F (16 °C) et 90 °F (32 °C). Cet appareil doit être installé dans un endroit protégé contre le vent, la pluie et les jets et gouttes d'eau.
- Le réfrigérateur ne devrait pas être installé à côté d'une cuisinière, d'un gril ou de toute autre source de chaleur intense.
- Le réfrigérateur doit être installé avec des raccords électriques, d'eau et de drainage conformes aux normes provinciales et locales en vigueur. Une alimentation électrique standard (115 V c.a., 60 Hz), reliée à la terre conformément au Code national de l'électricité et aux codes et règlements locaux, est requise.
- N'emmêlez pas et ne coinciez pas le cordon d'alimentation du réfrigérateur.
- L'intensité du fusible (ou disjoncteur) devrait être de 15 ampères.
- Pour assurer le bon fonctionnement du réfrigérateur, il est important de mettre ce dernier de niveau. Plusieurs réglages pourraient être nécessaires pour la mise de niveau.
- L'installation complète doit être conforme aux exigences du code local de plomberie.
- Assurez-vous que les tuyaux ne sont pas coincés, pliés ou endommagés pendant l'installation.
- Vérifiez s'il y a des fuites après le branchement.
- Ne laissez jamais des enfants faire fonctionner le réfrigérateur, jouer avec l'appareil ou se faufiler à l'intérieur.
- Si vous utilisez le contenant de drainage, vous devez régler le commutateur de sélection à « OFF » (ARRÊT), sans quoi l'eau pourrait déborder du contenant.
- Même si l'appareil a été testé en usine, il est possible que vous deviez jeter le premier lot de glaçons en raison d'un transit et d'un entreposage prolongés.
- N'utilisez jamais de produits de nettoyage à base de solvant ou d'abrasifs à l'intérieur de l'appareil. Ces produits peuvent endommager ou décolorer l'intérieur.
- N'utilisez pas l'appareil à d'autres fins que celles pour lesquelles il a été conçu.

AIDEZ-NOUS À VOUS AIDER...

Lisez attentivement ce guide.

Il a été conçu afin de vous aider à utiliser votre nouveau réfrigérateur-congélateur de façon appropriée.

Conservez-le à portée de main pour obtenir réponse à vos questions. Si vous avez besoin d'explications ou d'assistance, veuillez communiquer avec le :

**Service à la clientèle de Avanti
800 220-5570**

Conservez votre preuve d'achat (indiquant la date d'achat originale) avec le présent guide pour déterminer la période de garantie.

MISE EN GARDE :

**CE RÉFRIGÉRATEUR-CONGÉLATEUR
N'EST PAS CONÇU POUR
L'ENTREPOSAGE DE MÉDICAMENTS OU
D'AUTRES PRODUITS MÉDICAUX.**

Notez les numéros de modèle et de série.

Vous trouverez ces numéros dans le coin supérieur droit de la paroi extérieure, du côté droit de l'appareil.

Veuillez noter ces numéros ici :

Date d'achat :

Numéro de modèle :

Numéro de série :

Mentionnez ces numéros dans toute correspondance ou tout appel de service concernant votre réfrigérateur-congélateur.

Si votre réfrigérateur-congélateur est endommagé à la réception, communiquez immédiatement avec le concessionnaire (ou le fabricant) qui vous l'a vendu.

Économisez temps et argent. Avant d'effectuer un appel de service, consultez le guide de dépannage. Il énumère des problèmes mineurs que vous pouvez corriger vous-même.

SI VOUS AVEZ BESOIN DE SERVICE

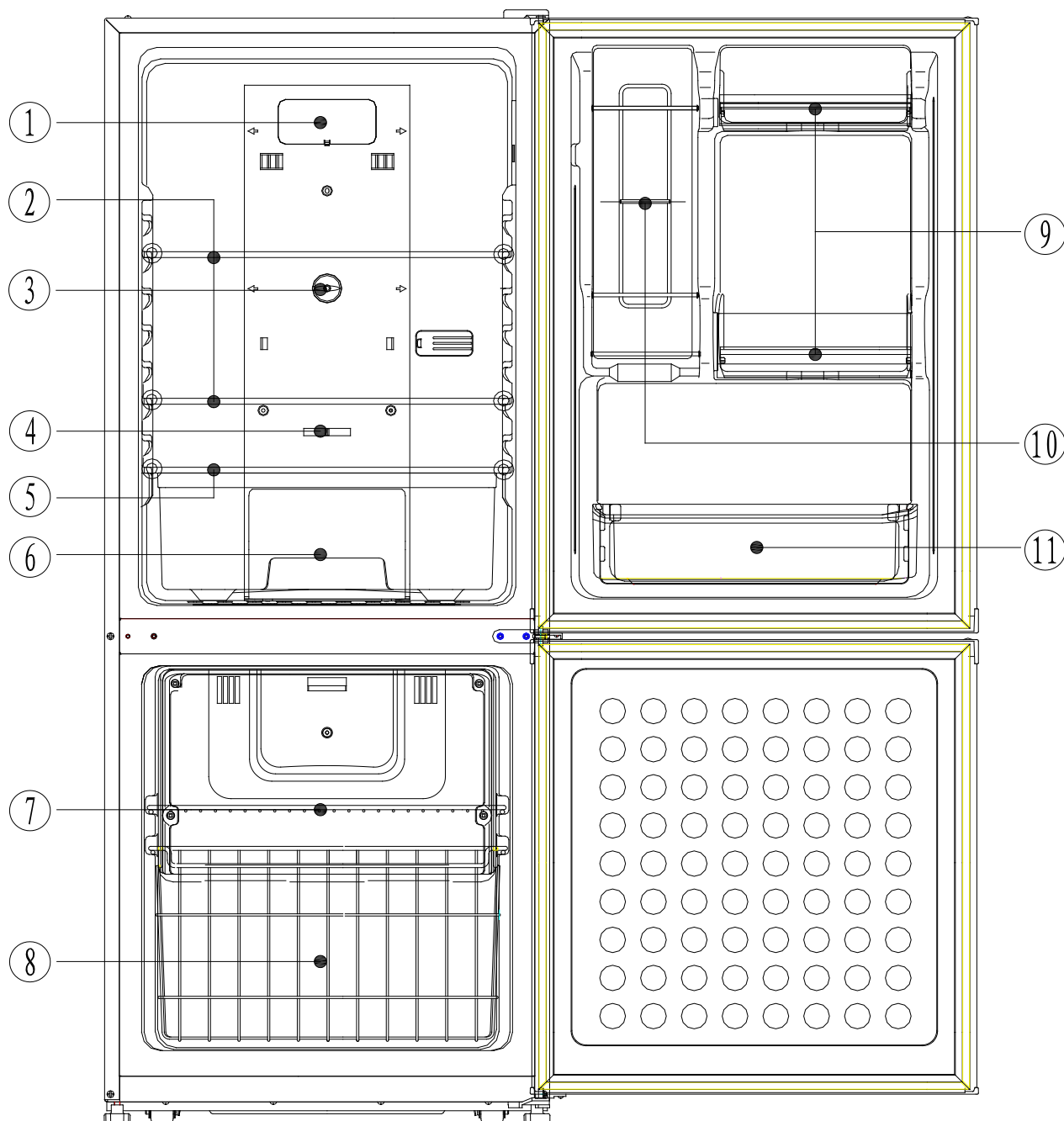
Nous sommes fiers de notre service et voulons que vous en soyez satisfait. Si, pour une raison quelconque, vous n'êtes pas satisfait du service reçu, voici les étapes à suivre pour obtenir de l'assistance additionnelle.

EN PREMIER LIEU, communiquez avec l'entreprise qui a effectué la réparation de votre réfrigérateur-congélateur. Expliquez la raison de votre insatisfaction. Cela suffira à régler le problème dans la plupart des cas.

EN DEUXIÈME LIEU, si vous n'avez toujours pas obtenu satisfaction, exposez par écrit les raisons de votre insatisfaction, y compris votre numéro de téléphone, et envoyez le tout à l'adresse suivante :

**Customer Service
Avanti Products
10880 NW 30 Street
Miami, FL 33172**

PIÈCES ET CARACTÉRISTIQUES



1. **Éclairage intérieur**
2. **Commande de température du réfrigérateur**
3. **Commande de température du congélateur**
4. **Tablettes du réfrigérateur (2)**
5. **Couvercle en verre des bacs à fruits et légumes**
6. **Bacs à fruits et légumes (2)**

7. **Tablette du congélateur**
8. **Panier du congélateur**
9. **Balconnets du réfrigérateur**
10. **Distributeur de canettes**
11. **Compartiment à bouteilles**

IMPORTANTES CONSIGNES DE SÉCURITÉ

⚡ AVERTISSEMENT ⚡	Pour diminuer les risques d'incendie, de choc électrique ou de blessure pendant l'utilisation du réfrigérateur-congélateur, veuillez prendre les précautions de base suivantes :
<ul style="list-style-type: none">• Lisez toutes les instructions avant d'utiliser le réfrigérateur-congélateur.• DANGER ou AVERTISSEMENT : Risque d'enfermement pour les enfants. Ne considérez pas l'enfermement et la suffocation des enfants comme des problèmes du passé. Les réfrigérateurs-congélateurs mis au rebut ou abandonnés restent dangereux... même « entreposés dans le garage pour seulement quelques jours ».• Avant de vous débarrasser de votre vieux réfrigérateur-congélateur : Retirez les portes. Laissez les tablettes en place pour éviter que les enfants puissent s'introduire à l'intérieur.• Ne laissez jamais des enfants faire fonctionner le réfrigérateur-congélateur, jouer avec l'appareil ou se faufiler à l'intérieur.• Ne nettoyez jamais les pièces du réfrigérateur-congélateur avec des produits liquides inflammables. Les vapeurs qui s'en dégagent peuvent causer un incendie ou une explosion.• N'entreposez ou n'utilisez pas d'essence ou d'autres produits ou liquides inflammables à proximité du réfrigérateur-congélateur ou de tout autre appareil. Les vapeurs qui s'en dégagent peuvent causer un incendie ou une explosion. <p style="text-align: center;">-Conservez ces instructions-</p>	

INSTRUCTIONS D'INSTALLATION

➤ Avant d'utiliser l'appareil

- Retirez les emballages extérieur et intérieur.
- Assurez-vous de disposer de tous les éléments suivants :
 - 1 plateau à glaçons
 - 1 tablette pour congélateur (treillis)
 - 2 tablettes pour réfrigérateur (verre)
 - 1 bac pour congélateur
 - 3 bacs pour réfrigérateur (2 bacs standards et 1 bac pouvant accueillir des bouteilles de 2 litres)
 - 1 guide d'utilisation
- Avant de raccorder l'appareil à la source d'alimentation, laissez-le debout pendant environ 2 heures. Cette précaution permettra de réduire les risques de défaillance du système de refroidissement de l'appareil causée par la manutention en cours de transport.
- Nettoyez la surface intérieure avec un chiffon doux et de l'eau tiède.

➤ Installation de l'appareil

- Placez votre réfrigérateur-congélateur sur un plancher suffisamment solide pour supporter le poids de l'appareil lorsqu'il est complètement rempli. Pour mettre le réfrigérateur-congélateur de niveau, réglez les pattes au bas de l'appareil.
- Laissez un espace de 2 po à l'arrière et sur les côtés de l'appareil afin de permettre une circulation d'air adéquate pour refroidir le compresseur et le condenseur.
- Placez l'appareil loin de la lumière directe du soleil et d'autres sources de chaleur (cuisinière, plinthe électrique, radiateur, etc.). La lumière directe du soleil peut endommager le revêtement en acrylique, et les sources de chaleur peuvent faire augmenter la consommation d'énergie. De plus, une température ambiante très froide peut nuire au bon fonctionnement du réfrigérateur-congélateur.
- Évitez d'installer l'appareil dans des endroits humides.
- Branchez l'appareil dans une prise de courant murale dédiée, installée et mise à la terre adéquatement. Ne coupez ou n'enlevez jamais la troisième broche (mise à la terre) du cordon d'alimentation. Toute question concernant l'alimentation et/ou la mise à la terre doit être adressée directement à un électricien certifié ou à un centre de service Avanti Products autorisé.

➤ Connexions électriques

⚡ **Avertissement** ⚡

Une utilisation inappropriée de la prise de mise à la terre peut causer un choc électrique. Si le cordon d'alimentation est endommagé, faites-le remplacer par un centre de service Avanti Products autorisé.

Pour votre sécurité, l'appareil doit être mis à la terre de façon appropriée. Le cordon d'alimentation de cet appareil est muni d'une fiche à trois broches qui s'insère dans une prise murale standard à trois trous pour minimiser les risques de choc électrique.

Ne coupez ou n'enlevez jamais la troisième broche (mise à la terre) du cordon d'alimentation de l'appareil. Pour votre sécurité, l'appareil doit être mis à la terre de façon appropriée.

L'appareil doit être branché dans une prise de courant standard à trois trous de 115/120 V c.a. et 60 Hz mise à la terre. Faites vérifier la prise murale ainsi que le circuit par un électricien qualifié pour vous assurer que la prise est mise à la terre de façon appropriée. Il est de votre responsabilité de remplacer une prise murale à deux trous par une prise murale à trois trous mise à la terre de façon appropriée.

Le cordon d'alimentation doit être fixé derrière l'appareil, ne pas être exposé ou ne pas pendre librement afin d'éviter les blessures accidentelles.

L'appareil doit toujours être branché dans une prise de courant dédiée dont la tension nominale correspond à celle indiquée sur l'étiquette du produit. Ceci permet un fonctionnement optimal de l'appareil et contribue à empêcher de surcharger les circuits de câblage de votre maison, ce qui pourrait causer un incendie. Ne débranchez jamais l'appareil en tirant sur le cordon d'alimentation. Empoignez toujours la fiche fermement et tirez-la en ligne droite pour la retirer de la prise. Réparez ou remplacez immédiatement tout cordon d'alimentation effiloché ou endommagé. N'utilisez jamais un cordon d'alimentation craquelé ou qui présente des marques d'abrasion, soit sur sa longueur ou à une des extrémités. Lorsque vous déplacez l'appareil, faites attention de ne pas endommager le cordon d'alimentation.

➤ Rallonge

En raison des risques éventuels pour la sécurité dans certaines circonstances, il est fortement recommandé de ne pas utiliser de rallonge électrique avec cet appareil. Cependant, s'il est nécessaire d'en utiliser une, il est indispensable qu'il s'agisse d'une rallonge homologuée UL/CUL avec une fiche à trois broches et une prise à trois trous mises à la terre, d'une tension de 115 volts et d'au moins 10 ampères.

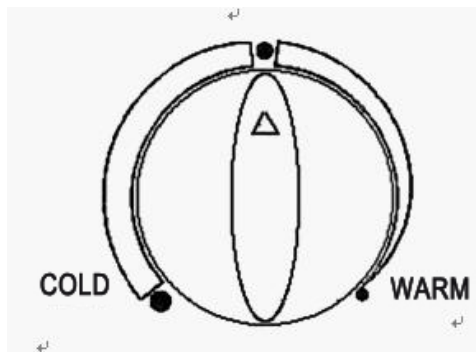
➤ Inversion du sens d'ouverture de la porte

La porte du réfrigérateur-congélateur peut s'ouvrir du côté gauche ou du côté droit. À la livraison, la porte de l'appareil s'ouvre du côté gauche. Pour inverser le sens d'ouverture de la porte, veuillez communiquer avec le service à la clientèle pour obtenir les instructions nécessaires.

UTILISATION DE L'APPAREIL

➤ Commandes de température

Commande de température du réfrigérateur



Commande de température du congélateur



➤ Réglage de la température

Le réfrigérateur est muni de commandes distinctes pour régler la température de chaque section séparément. La commande de température est située à l'arrière de chacune des sections (réfrigérateur et congélateur). (Voir les illustrations ci-dessus.)

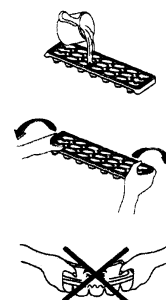
- La toute première fois que vous mettez l'appareil en marche, placez la commande de température à la position « COLD » dans le réfrigérateur et dans le congélateur.
- La commande de température varie des positions « WARM » à « COLD », où « WARM » est le plus chaud et « COLD » le plus froid, dans le réfrigérateur et le congélateur. Après 24 à 48 heures, réglez la commande de température à la position qui répond le mieux à vos besoins. Le réglage « MED » dans le congélateur et le milieu, marqué d'un « ● » entre « WARM » et « COLD », dans le réfrigérateur devraient convenir pour une utilisation dans une maison ou un bureau.

Note :

- LORSQUE L'APPAREIL EST DÉBRANCHÉ OU MIS HORS TENSION, OU SI UNE PANNE DE COURANT SURVIENT, ATTENDEZ DE 3 À 5 MINUTES AVANT DE REMETTRE L'APPAREIL EN MARCHÉ. LE RÉFRIGÉRATEUR-CONGÉLATEUR NE SE REMETTRA PAS EN MARCHÉ SI VOUS NE RESPECTEZ PAS CE DÉLAI.

➤ Utilisation du plateau à glaçons

- Pour faire des glaçons, il est recommandé de régler le thermostat à la position « COLD ».
- Remplissez le plateau à glaçons (aux deux tiers) avec de l'eau froide ou tout autre liquide pouvant être congelé, et placez le plateau dans le bas du congélateur afin qu'il gèle bien.
- Essuyez le plateau, sinon il risque de coller au bas du congélateur.
- La meilleure façon de sortir les glaçons du plateau est de placer le plateau sous l'eau froide du robinet pendant une seconde.
- Pour extraire les glaçons du plateau, placez ce dernier au-dessus du bac à glaçons et tordez-le légèrement.



➤ Congélation d'aliments frais

- Une utilisation appropriée de l'appareil, des aliments bien emballés, une température adéquate et le respect des précautions hygiéniques influenceront considérablement sur la qualité de la congélation des aliments ou du stockage d'aliments congelés.
- Ce compartiment est conçu pour conserver des aliments congelés à long terme.
- La durée de conservation des aliments congelés varie, et la durée de conservation recommandée ne doit pas être dépassée.
- Les aliments congelés commercialement préemballés doivent être conservés selon les instructions du fabricant dans le cas d'un compartiment de rangement d'aliments congelés ou d'un congélateur domestique trois étoiles.
- Placez les aliments congelés dans le congélateur le plus rapidement possible après l'achat. S'il y a des instructions relatives à la durée de conservation sur l'emballage, lisez-les attentivement.
- Choisissez avec soin les aliments que vous prévoyez congeler. La qualité des aliments doit être adéquate, et ceux-ci doivent se prêter à la congélation.
- Utilisez un emballage approprié, et emballez bien les aliments.
- L'emballage doit être étanche à l'air et ne doit pas fuir, car cela pourrait causer une perte de vitamines et une déshydratation importantes des aliments.
- Les feuilles d'aluminium et les sacs doivent être assez souples pour bien s'enrouler autour des aliments.
- Lorsque vous préparez des aliments à congeler, songez aux précautions hygiéniques.
- Indiquez les renseignements suivants sur les emballages : type et quantité d'aliments et date de congélation.
- Il est extrêmement important que les aliments soient congelés le plus rapidement possible.
- Une quantité d'aliments trop grande réduit la qualité de la congélation, ce qui diminue la qualité des aliments congelés.

ENTRETIEN

➤ Nettoyage de l'appareil

- Tournez la commande de température à la position « OFF », débranchez l'appareil et retirez les aliments et les paniers.
- Nettoyez l'intérieur avec de l'eau tiède et une solution à base de bicarbonate de soude. La solution devrait contenir à peu près 2 c. à table de bicarbonate de soude pour un litre d'eau.
- Nettoyez les paniers avec un détergent doux.
- Il est préférable de nettoyer l'extérieur de l'appareil avec de l'eau tiède et un détergent doux.

MISE EN GARDE

Si vous ne débranchez pas le réfrigérateur-congélateur, vous risquez de subir un choc électrique ou des blessures.

➤ Panne de courant

La majorité des pannes de courant ne durent que quelques heures, et la température du réfrigérateur-congélateur ne devrait pas changer si vous évitez d'ouvrir la porte trop souvent. Si la panne de courant devait se prolonger, veillez à prendre les mesures appropriées pour conserver vos aliments.

➤ Vacances

Courte absence : Pour une absence de moins de trois semaines, laissez le réfrigérateur en marche.

Longue absence : Si l'appareil ne servira pas pendant plusieurs mois, retirez tous les aliments et débranchez le cordon d'alimentation. Nettoyez l'intérieur en profondeur et séchez bien. Pour contrer les odeurs et prévenir les moisissures, laissez la porte entrouverte et assurez-vous qu'elle restera dans cette position.

➤ Déplacement de l'appareil

- Retirez tous les aliments du réfrigérateur.
- Avec de la bande adhésive, fixez solidement tous les articles qui pourraient se déplacer à l'intérieur de l'appareil.
- Remontez les pattes de mise de niveau jusqu'à la base afin d'éviter les dommages.
- Appliquez une bande adhésive sur la porte pour la tenir fermée.
- Veillez à ce que l'appareil reste à la verticale durant le transport.

➤ Conseils écoénergétiques

- L'appareil devrait être installé à l'endroit le plus frais de la pièce, à l'écart des appareils qui produisent de la chaleur, des conduits de chauffage et de la lumière directe du soleil.
- Laissez les aliments chauds refroidir à la température ambiante avant de les placer dans l'appareil. La surcharge de l'appareil force le compresseur à fonctionner plus longtemps. Les aliments qui congèlent trop lentement peuvent perdre de leur qualité ou se gâter.
- Veillez à bien emballer les aliments et à essuyer les contenants avant de les placer dans l'appareil. Cela réduit l'accumulation de givre dans le congélateur.
- Organisez et étiquetez les aliments de façon à éviter d'ouvrir la porte trop souvent et à faciliter les recherches. Retirez tous les articles dont vous avez besoin en même temps et refermez la porte dès que possible.

GUIDE DE DÉPANNAGE

Vous pouvez facilement résoudre vous-même plusieurs problèmes courants avec le réfrigérateur-congélateur, de façon à économiser le coût d'un éventuel appel de service. Essayez les solutions proposées ci-dessous pour résoudre le problème avant d'effectuer un appel de service.

PROBLÈME	CAUSE POSSIBLE
L'appareil ne fonctionne pas.	<ul style="list-style-type: none"> - L'appareil n'est pas branché. - Le disjoncteur s'est déclenché ou un fusible a grillé. - La commande de température du réfrigérateur-congélateur est réglée à « OFF ».
Le compresseur se met en marche et s'arrête fréquemment.	<ul style="list-style-type: none"> - La température ambiante est plus élevée qu'à la normale. - Une grande quantité d'aliments a été placée dans le réfrigérateur-congélateur. - La porte est ouverte trop fréquemment. - La porte n'est pas fermée hermétiquement. - La commande de température n'est pas réglée correctement. - Le joint de porte n'est pas parfaitement étanche. - L'espace libre autour du réfrigérateur-congélateur est insuffisant.
L'appareil vibre.	<ul style="list-style-type: none"> - Assurez-vous que le réfrigérateur-congélateur est de niveau.
L'appareil fait trop de bruit.	<ul style="list-style-type: none"> - Le bruit peut être causé par la circulation du fluide réfrigérant, ce qui est normal. - À la fin de chaque cycle, vous pourriez entendre des gargouillements provoqués par la circulation du fluide réfrigérant dans le réfrigérateur-congélateur. - La contraction et la dilatation des parois internes peuvent causer des pétarades et des craquements. - L'appareil n'est pas de niveau.
La porte ne ferme pas correctement.	<ul style="list-style-type: none"> - L'appareil n'est pas de niveau. - La porte a été inversée et n'est pas correctement installée. - Le joint d'étanchéité est sale. - Les paniers ne sont pas placés correctement.

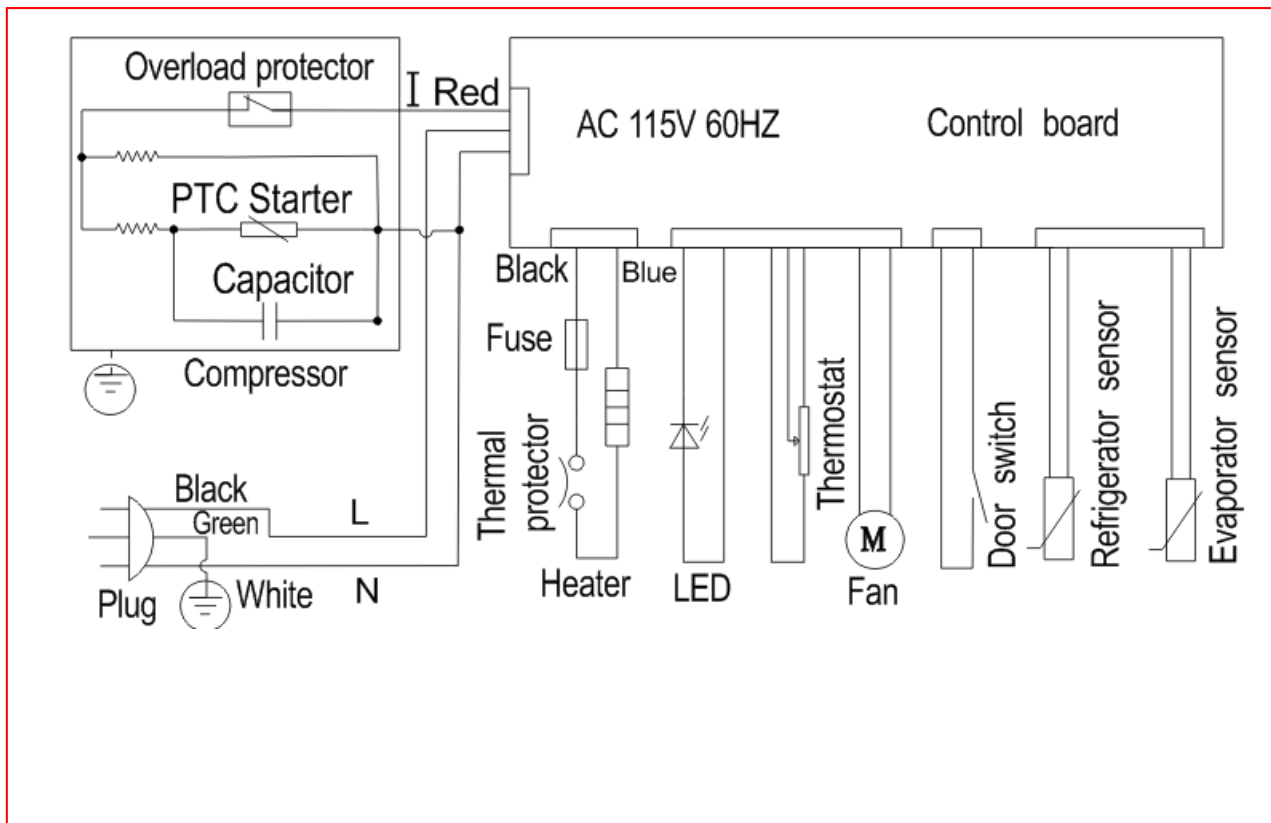
SERVICE À LA CLIENTÈLE

Nous sommes fiers de notre service à la clientèle et de notre réseau de techniciens professionnels qui assurent l'entretien de votre réfrigérateur-congélateur Avanti. Avec l'achat de votre réfrigérateur-congélateur Avanti, vous êtes assuré d'obtenir des renseignements ou de l'assistance additionnels en cas de besoin; l'équipe du service à la clientèle de Avanti Products est là pour vous aider. N'hésitez pas à communiquer avec nous, sans frais.

SERVICE À LA CLIENTÈLE DE AVANTI PRODUCTS

Renseignements sur les produits 800 323-5029	Quelles que soient vos questions concernant nos produits, nous pouvons vous aider.
Commande de pièces 800 220-5570	Vous pouvez commander des pièces et des accessoires qui seront livrés directement chez vous, et payer par chèque personnel, par mandat, ou par carte de crédit MasterCard ou Visa.
Service de réparation à domicile 800 220-5570	Un centre de service Avanti Products autorisé vous fournira un service de réparation professionnel, prévu à un moment qui vous convient. Nos techniciens qualifiés connaissent votre réfrigérateur-congélateur de fond en comble.

SCHÉMA DE CÂBLAGE



GARANTIE DE AVANTI PRODUCTS

Agrafez votre preuve d'achat ici. Une preuve d'achat indiquant la date d'achat originale est requise pour obtenir du service sous garantie.

CE QUI EST COUVERT GARANTIE LIMITÉE D'UN AN

Pendant un an à compter de la date d'achat par le propriétaire original, Avanti Products réparera ou remplacera, à sa discrétion, toute pièce du réfrigérateur-congélateur défectueuse en raison d'un vice de matériau ou de fabrication survenu au cours d'un usage normal. Pendant cette période, Avanti Products fournira toutes les pièces et la main-d'œuvre nécessaires pour corriger ces vices, et ce, sans aucuns frais, à condition que le réfrigérateur-congélateur ait été installé et utilisé conformément aux instructions du présent guide. Avanti Products remplacera l'appareil par un produit raisonnablement similaire, neuf ou réusiné. Dans le cas d'une location ou d'un usage commercial, la période de garantie est de 90 jours. Tous les appareils Avanti d'une capacité de 3,5 pieds cubes ou moins doivent être rapportés/expédiés à l'atelier d'entretien à des fins de réparation.

GARANTIE LIMITÉE DE LA DEUXIÈME ANNÉE

Dans la deuxième année d'utilisation à compter de la date d'achat originale, Avanti Products fournira sans frais un compresseur de rechange en cas de défaillance. Vous êtes responsable des frais de main-d'œuvre et de transport. Dans le cas d'une location ou d'un usage commercial, la période de garantie limitée du compresseur est de un an et neuf mois. Les frais de transport du réfrigérateur-congélateur à l'atelier de réparation et au domicile de l'utilisateur, le cas échéant, sont la responsabilité de l'utilisateur.

CE QUI N'EST PAS COUVERT

- Pertes d'aliments en raison de la détérioration.
- Dommages accessoires ou consécutifs.
- Le coût des pièces et de la main-d'œuvre pour les éléments suivants n'est pas couvert par la garantie :
 - Portes de l'évaporateur, ressorts de porte et/ou châssis.
 - Panneaux de porte intérieurs, tablettes de porte, rails et/ou supports de porte.
 - Doublures de couvercle du coffre congélateur.
 - Bacs à fruits et légumes.
 - Ampoules et/ou compartiment en plastique.
 - Doublures de caisse en plastique.
- Évaporateur perforé annulant la garantie sur l'ensemble du système d'étanchéité.
- Frais d'expédition et de manutention liés au remplacement de l'appareil.
- Réparations effectuées par des techniciens non autorisés.
- Réparation et au domicile de l'utilisateur, le cas échéant, sont la responsabilité de l'utilisateur.
- Appels de service qui ne concernent pas des vices de matériau ou de fabrication, tels que les connaissances du consommateur sur le produit, l'inversion d'une porte ou une installation inadéquate.
- Frais de service liés à des problèmes externes, tels que l'usage abusif, l'utilisation inappropriée, l'alimentation électrique inadéquate, les accidents, les incendies, les inondations ou les cas de force majeure.
- Frais supplémentaires comprenant notamment, mais sans s'y limiter, les appels de service effectués après les heures d'ouverture, durant les fins de semaine ou un jour férié, les droits de péage et de traversier, ou les frais de déplacement dans des régions éloignées, incluant l'Alaska.
- Remplacement des fusibles domestiques ou réinitialisation des disjoncteurs.
- Défectuosité de l'appareil s'il est utilisé à d'autres fins que celles pour lesquelles il a été conçu.
- Cette garantie ne s'applique pas à l'extérieur du Canada et de la zone continentale des États-Unis.

REGISTRATION INFORMATION

Thank you for purchasing this fine Avanti product. Please fill out this form and return it to the following address within 100 days from the date of purchase and receive these important benefits:

Avanti Products LLC
P.O.Box 520604 – Miami, Florida 33152

➤ **Protect your product:**

We will keep the model number and date of purchase of your new Avanti product on file to help you refer to this information in the event of an insurance claim such as fire or theft.

➤ **Promote better products:**

We value your input. Your responses will help us develop products designed to best meet your future needs.

------(detach here)-----

Avanti Registration Card

Name	Model #	Serial #
Address	Date Purchased	Store / Dealer Name
City State Zip	E-mail Address	
Area Code Phone Number	Occupation	
Did You Purchase An Additional Warranty	As your Primary Residence, Do You:	
<input type="checkbox"/> Extended <input type="checkbox"/> None	<input type="checkbox"/> Own <input type="checkbox"/> Rent	
Reason for Choosing This Avanti Product: Please indicate the most important factors That influenced your decision to purchase this product:	Your Age:	
<input type="checkbox"/> Price <input type="checkbox"/> Product Features <input type="checkbox"/> Avanti Reputation <input type="checkbox"/> Product Quality <input type="checkbox"/> Salesperson Recommendation <input type="checkbox"/> Other: _____ <input type="checkbox"/> Friend / Relative Recommendation <input type="checkbox"/> Warranty <input type="checkbox"/> Other: _____	<input type="checkbox"/> under 18 <input type="checkbox"/> 18-25 <input type="checkbox"/> 26-30 <input type="checkbox"/> 31-35 <input type="checkbox"/> 36-50 <input type="checkbox"/> over 50	
Comments:	<u>Marital Status:</u> <input type="checkbox"/> Married <input type="checkbox"/> Single	
	<u>Is This Product Used In The:</u> <input type="checkbox"/> Home <input type="checkbox"/> Business	
	<u>How Did You Learn About This Product:</u> <input type="checkbox"/> Advertising <input type="checkbox"/> In-Store Demo <input type="checkbox"/> Personal Demo	

