

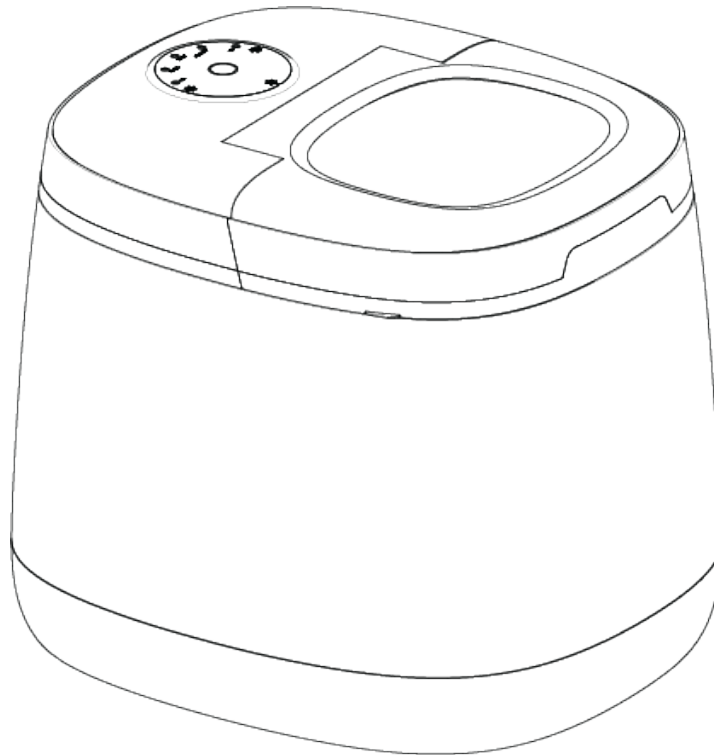


**INSTRUCTION MANUAL
MANUAL DE INSTRUCCIONES
MANUEL D'INSTRUCTIONS**

**PORTABLE ICE MAKER
MAQUINA DE HACER HIELO PORTABLE
MACHINE DE GLAÇONS PORTABLE**

MODEL / MODELO / MODÈLE

IM4520G-IS



BEFORE USE, PLEASE READ AND FOLLOW ALL SAFETY RULES AND OPERATING INSTRUCTIONS.

Avanti has a policy of continuous improvement on its products and reserves the right to change materials and specifications without notice.

**Avanti Products LLC
P.O. Box 520604 - Miami, Florida 33152
www.avantiproducts.com**

TABLE OF CONTENTS

Ice-Maker Safety	3
Important Safeguides	4
Help Us Help You	5
Parts and Features	6
Important Safety Instructions	7
Installation Instructions	7
Before Using Your Appliance	7
Installation of Your Appliance	7
Electrical Connection	8
Operating Your Appliance	9
Control Panel Description	9
Operating Instructions	9
Getting Ice from Ice-bin	10
Care and Maintenance	10
Cleaning Your Appliance	10
Space Requirements	10
Power Failure	10
Troubleshooting Guide	11
Service for Your Appliance	11
Your Avanti Products Warranty	12
Instrucciones en Español	13 - 17
Instructions en Français	18 – 28
Registration Information and Registration Card	Last Page

ICE MAKER SAFETY

YOUR SAFETY AND THE SAFETY OF OTHERS ARE VERY IMPORTANT.

We have provided many important safety messages in this manual for your appliance. Always read and obey all safety messages.



This is the safety alert symbol. This symbol alerts you to Potential hazards that can kill or injure you and others. All safety messages will follow the safety alert symbol And either the words "DANGER", "WARNING" or "CAUTION".



Danger means that failure to heed this safety statement may result in severe personal injury or death.



Warning means that failure to heed this safety statement may result in extensive product damage, serious personal injury, or death.



Caution means that failure to heed this safety statement may result in minor or moderate personal injury, property or equipment damage.

All safety messages will alert you to know what potential hazard is, tell you how to reduce the chance of injury, and let you know what can happen if the instructions are not followed.

IMPORTANT SAFEGUIDES



Before the appliance is used, it must be properly positioned and installed as described in this manual, so read the manual carefully. To reduce the risk of fire, electrical shock or injury when using the appliance, follow basic precaution, including the following:

DANGER

- Plug into a grounded 3-prong outlet, do not remove grounding prong, do not use an adapter, and do not use an extension cord.
- It is recommended that a separate circuit, serving only your appliance be provided. Use receptacles that cannot be turned off by a switch or pull chain.
- Never clean appliance parts with flammable fluids. These fumes can create a fire hazard or explosion. And do not store or use gasoline or other flammable vapors and liquids in the vicinity of this or any other appliance. The fumes can create a fire hazard or explosion.
- Before proceeding with cleaning and maintenance operations, make sure the power line of the unit is disconnected.
- Do not connect or disconnect the electric plug when your hands are wet.
- Unplug the appliance or disconnect power before cleaning or servicing. Failure to do so can result in electrical shock or death.
- Do not attempt to repair or replace any part of your appliance unless it is specifically recommended in this manual. All other servicing should be referred to a qualified technician.

WARNING

FOLLOW WARNING CALL OUTS BELOW ONLY WHEN APPLICABLE TO YOUR MODEL

- Use two or more people to move and install appliance. Failure to do so can result in back or other injury.
- To ensure proper ventilation for your appliance, the front of the unit must be completely unobstructed. Choose a well-ventilated area with temperatures above 60°F (16°C) and below 90°F (32°C). This unit must be installed in an area protected from the element, such as wind, rain, water spray or drips.
- The appliance should not be located next to ovens, grills or other sources of high heat.
- The appliance must be installed with all electrical connections in accordance with state and local codes. A standard electrical supply (115 v ac only, 60 hz), properly grounded in accordance with the national electrical code and local codes and ordinances is required.
- Do not kink or pinch the power supply cord of appliance.
- The fuse (or circuit breaker) size should be 15 amperes.
- It is important for the appliance to be leveled in order to work properly. You may need to make several adjustments to level it.
- Check for leaks after connection.
- Never allow children to operate, play with the appliance.
- Although the unit has been tested at the factory, due to long-term transit and storage, the first batch of cubes must be discarded.
- Do not use solvent-based cleaning agents or abrasives on the interior. These cleaners may damage or discolor the interior.
- Do not use this apparatus for other than its intended purpose.

Help us help you...

Read this guide carefully.

It is intended to help you operate and maintain your new ice maker properly.

Keep it handy to answer your questions. If you don't understand something or you need more help, please call:

**Avanti customer service
800-220-5570**

Keep proof of original purchase date (such as your sales slip) with this guide to establish the warranty period.

Write down the model and serial numbers.

You'll find them on a plate located on the rear wall of the ice maker.

Please write these numbers here:

Date of purchase

Model number

Serial number

Use these numbers in any correspondence or service calls concerning your ice maker.

If you received a damaged ice maker, immediately contact the dealer (or builder) that sold you the ice maker.

Save time and money. Before you call for service, check the troubleshooting guide. It lists causes of minor operating problems that you can correct yourself.

If you need service

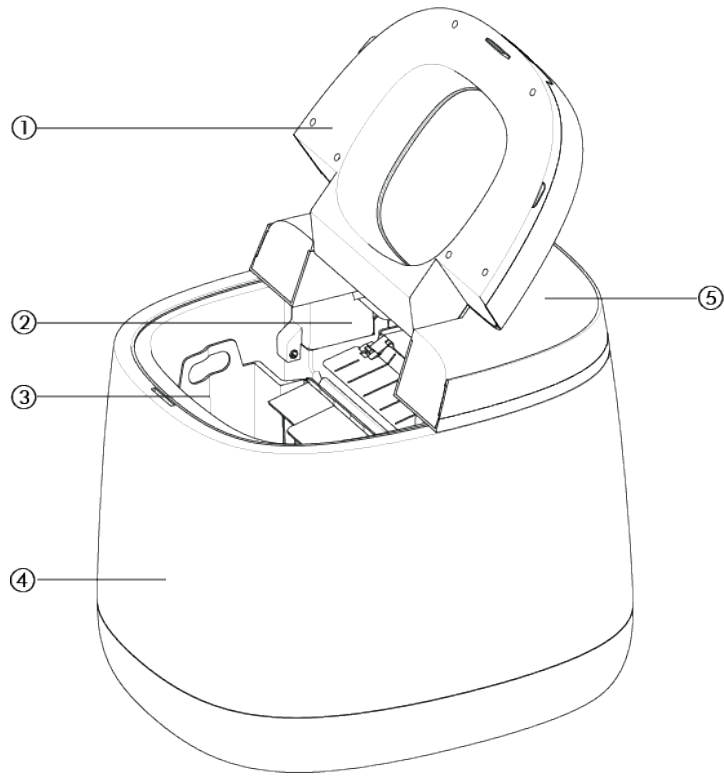
We're proud of our service and want you to be pleased. If for some reason you are not happy with the service you receive, here are some steps to follow for further assistance.

First, contact the people who serviced your ice maker. Explain why you are not pleased. In most cases, this will solve the problem.

Next, if you are still not pleased, write all the details, including your telephone number, and send it to:

**Customer Service
Avanti Products
10880 NW 30th Street
Miami, FI 33172 USA**

PARTS AND FEATURES



1	Top Lid
2	Ice Making System
3	Ice Basket
4	Cabinet
5	Control Panel

IMPORTANT SAFETY INSTRUCTIONS

~ WARNING ~	To reduce the risk of fire, electrical shock, or injury when using your ice maker, follow these basic precautions:
<ul style="list-style-type: none">· Read all instructions before using the ice maker.· Danger or Warning: Risk of child entrapment.· Child entrapment and suffocation are not problems of the past. Junked or abandoned appliances are still dangerous. . . Even if they will “just sit in the garage a few days.”· Never allow children to operate, play with, or crawl inside the appliance.· Never clean ice maker parts with flammable fluids. The fumes can create a fire hazard or explosion.· Do not store or use gasoline or any other flammable vapors and liquids in the vicinity of this or any other ice maker. The fumes can create a fire hazard or explosion. <p style="text-align: center;">-save these instructions-</p>	

INSTALLATION INSTRUCTIONS

Ø Before Using Your Ice Maker

- Remove the exterior and interior packing.
- Check to be sure you have all of the following parts:
 - 1 Instruction Manual
 - 1 Ice Scoop
- Before connecting the ice maker to the power source, let it stand upright for approximately 2 hours. This will reduce the possibility of a malfunction in the cooling system from handling during transportation.
- Clean the interior surface with lukewarm water using a soft cloth.

Ø Installation Of Your Ice Maker

- Locate the ice maker away from direct sunlight and sources of heat (stove, heater, radiator, etc.). Direct sunlight may affect the painted coating and heat sources may increase electrical consumption. Extreme cold ambient temperatures may also cause the ice maker not to perform properly.
- Plug the ice maker into an exclusive properly installed-grounded wall outlet. Do not under any circumstances cut or remove the third (ground) prong from the power cord. Any questions concerning power and or grounding should be directed toward a certified electrician or an authorized Avanti products service center.

IMPORTANT: Do not install the Ice maker near an oven, radiator, or other heat source.

Ø **ELECTRICAL CONNECTION**

~ **Warning** ~

Improper use of the grounded plug can result in the risk of electrical shock. If the power cord is damaged, have it replaced by an authorized Avanti Products service center.

This appliance should be properly grounded for your safety. The power cord of this appliance is equipped with a three-prong plug which mates with standard three prong wall outlets to minimize the possibility of electrical shock.

Do not under any circumstances cut or remove the third ground prong from the power cord supplied. For personal safety, this appliance must be properly grounded.

This appliance requires a standard 115/120 Volt AC ~/60Hz electrical ground outlet with three-prong. Have the wall outlet and circuit checked by a qualified electrician to make sure the outlet is properly grounded. When a standard 2-prong wall outlet is encountered, it is your responsibility and obligation to have it replaced with a properly grounded 3-prong wall outlet.

The cord should be secured behind the appliance and not left exposed or dangling to prevent accidental injury.

The appliance should always be plugged into its own individual electrical outlet which has a voltage rating that matches the rating label on the appliance. This provides the best performance and also prevent overloading house wiring circuits that could cause a fire hazard from overheated. Never unplug the appliance by pulling the power cord. Always grip the plug firmly and pull straight out from the receptacle. Repair or replace immediately all power cords that have become frayed or otherwise damaged. Do not use a cord that shows cracks or abrasion damage along its length or at either end. When moving the appliance, be careful not to damage the power cord.

Ø **EXTENSION CORD**

Because of potential safety hazards under certain conditions, it is strongly recommended that you do not use an extension cord with this appliance. However, if you must use an extension cord it is absolutely necessary that it be a UL/CUL-Listed, 3-wire grounding type appliance extension cord having a grounding type plug and outlet and that the electrical rating of the cord be 115 volts and at least 10 amperes.

Ø **SURGE PROTECTOR**

Most electrical appliances use a series of electric control boards to operate. These boards are very susceptible to power surges and could be damaged or destroyed.

If the appliance is going to be used in an area or if your city / country is prone to power surges / outages; it is suggested that you use a power surge protector for all electrical devices / appliances you use. The surge protector that you select must have a surge block high enough to protect the appliance it is connected to. If you have any questions regarding the type and size of surge protector needed contact a licensed electrician in your area.

Damages due to power surges are not considered a manufacturer covered defect and will void your product warranty.

OPERATING YOUR ICE MAKER

Ø Control Panel Description

LED INDICATORS

POWER INDICATOR

The indicator above the word POWER will illuminate when the unit is plugged in. It will be illuminated in RED when the unit is turned on.

ADD WATER INDICATOR

The ice maker automatically checks the water level in the tank. If the water level is too low, the indicator will illuminate in AMBER and will stop working automatically. Press the ON/OFF button, add water to the unit and push the ON/OFF button again the indicator will turn off and will resume normal operation.

ICE FULL INDICATOR

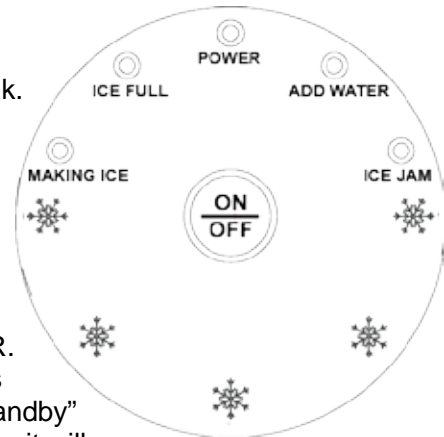
When the ice-bin is full, the indicator will illuminate in AMBER. The indicator will remain lit until the ice in the bin either melts away slowly or has been removed. The unit will stay in a "Standby" mode until ice has been removed / melted at which time the unit will automatically start operation as normal.

MAKING ICE

When the system is in the process of an ice making cycle, the light will illuminate in BLUE during the ice making process.

ICE JAM

If the ice cube shovel that moves the ice from the freezing area to the storage basket becomes jammed with an ice cube, the ICE JAM light will illuminate in RED and will shut the ice making system and cooling system down for approximately 10 minutes to allow the cube to melt. After approximately 10 minutes the light will turn off and the system will return to working as normal.



Operating Instructions

Starting your Ice maker

- Open the top cover and remove the ice basket.
- Remove any dust or objects that may be in the water tank
- Fill the water tank up to the area marked "MAX".
- The ice-maker will automatically check the water level in the reservoir periodically. The ice maker will detect any shortage of water and will stop the ice-making cycle, and then the ADD WATER indicator will be lit.
- Press the ON/OFF button and fill the reservoir with water, press the ON/OFF button again to restart the ice-making cycle and the ADD WATER indicator goes out as the ice-maker will begin its normal operation cycle automatically.
- When the ice cubes are collected and reach the bin sensor, the ice maker will stop operating and the ICE FULL indicator will be lit.

• **WARNING:**

Direct sunlight may affect the infrared sensors and cause the unit to malfunction.

If at any time the unit does not stop the ice-making operation even when the ice-bin is full, move the unit to another location where it is out of direct sunlight.

- For best performance, water temperature should be between 7°C (45°F) and 35°C (95°F) and ambient between 15°C (59°F) and 25°C (77°F).
- Actual ice making capacity will depend on the ambient temperature of the surroundings of the ice maker as well as the temperature and quality of the water used to make the ice.

Getting Ice from the Ice-bin

- Open the top cover to access the ice basket.
- Remove the amount of ice as desired and close the top.

CARE AND MAINTENANCE

Caution

Failure to unplug the ice maker could result in electrical shock or personal injury.

Ø Cleaning Your Ice Maker

- To ensure the cleanliness of the ice cubes, it is recommended that you use filtered water.
- Remove the drain plug to drain remaining water from the water reservoir when the ice maker will not be used for long period of time. Put the drain plug back in place after the water has been drained.
- Always change with fresh water before starting ice production at initial installation or after long shut-off periods.
- Please clean your Ice maker regularly. When cleaning, unplug the unit and remove the ice cubes. Use a diluted solution of water and vinegar to clean the inside and the outside surface of the Ice maker. Do not spray Ice maker with chemicals or diluted agents such as acids, gasoline or oil. Rinse thoroughly before starting.

Ø Space Requirements

- During transportation, the incline angle of the cabinet should not be over 45°
- Do not turn the Ice maker upside down. Problems could occur in the compressor and sealed system.
- The Ice maker should be placed horizontally on a properly leveled surface.
- To ensure proper ventilation for your Ice maker allow 6" of space at the top, the back and on each side.
- Before using the Ice maker for the first time, please wait 2 hours after positioning it.
- Clean the inner liner, ice-bin, and water box.

IMPORTANT: Do not install the Ice maker near an oven, radiator, or other heat source.

Ø Power Failure

Most power failures are corrected within a few hours and should not affect the temperature of your ice maker if you minimize the number of times the ice-bin is opened. If the power is going to be OFF for a longer period of time, you need to take the proper steps to disconnect your appliance.

PROBLEMS WITH YOUR ICE MAKER?

You can solve many common ice maker problems easily, saving you the cost of a possible service call. Try the suggestions below to see if you can solve the problem before calling the servicer.

TROUBLESHOOTING GUIDE

Problem	Possible Cause	Suggested Solutions
The compressor works abnormally with a buzzing Noise.	The voltage is lower than recommended.	Stop the ice maker and do not restart until the voltage is normal.
Add Water indicator Light is on.	There is not enough water in the reservoir.	Press the ON/OFF button, fill with water, and press the power button again to restart.
Ice full indicator light is on.	Ice storage cabinet is full to the top.	Remove some of the ice.
Indicator lights are off.	Blown fuse/ no power/blown breaker	Replace fuse / turn power on.
The ice made is too large and with pieces sticking together.	The water temperature in the storage tray or ambient is too low.	Stop the machine and reset the ice making cycle. Restart the machine after turning it off.
Conditions for ice making cycle are right but no ice is made.	Refrigerant leaks/ sealed system is blocked.	Contact customer service.
Ice Jam Indicator light turns on when first plugged in.	Motor or Control Panel issue.	Press the ON/OFF button and unplug the unit to reset the system. If the problem persists contact customer service.
Ice Full (Amber) and Add Water (Amber) indicator lights are on.	Possible cooling system issue.	Press the ON/OFF button and unplug the unit to allow the system to reset. Wait approximately 10 minutes before connecting the unit and restarting the ice making process. If the problem persists, contact customer service.

Service For Your Ice Maker

We are proud of our customer service organization and the network of professional service technicians that provide service on your Avanti ice maker. With the purchase of your Avanti ice maker, you can be confident that if you ever need additional information or assistance, the Avanti Products Customer Service team will be here for you. Just call us toll-free.

Avanti Products Customer Services

Product information 800-323-5029	Whatever your questions are about our products, help is available.
Part orders 800-220-5570	You may order parts and accessories that will be delivered directly to your home, by personal check, money order, master card, or visa.
In-home repair service 800-220-5570	An Avanti Products authorized service center will provide expert repair service, scheduled at a time that is convenient for you. Our trained servicers know your ice maker inside and out.

YOUR AVANTI PRODUCTS WARRANTY	Staple your sales receipt here. Proof of original purchase date is needed to obtain service under warranty.
--------------------------------------	---

WHAT IS COVERED – LIMITED ONE-YEAR WARRANTY

Avanti Products warrants that the product is free from defects in materials and/or workmanship for a period of twelve (12) months from the date of purchase by the original owner. The foregoing timeline begins to run upon the date of purchase, and shall not be stalled, tolled, extended, or suspended for any reason whatsoever unless described in detail in the warranty document. For one year from the date of purchase by the original owner, Avanti products will, at its option, repair or replace any part of the product which proves to be defective in material or workmanship under normal use. Avanti Products will provide you with a reasonably similar product that is either new or factory refurbished. During this period Avanti Products will provide all parts and labor necessary to correct such defects free of charge, so long as the product has been installed and operated in accordance with the written instructions in this manual. In rental or commercial use, the warranty period is 90 days. All Avanti appliances of 3.5 cubic feet capacity or less must be brought/sent to the appliance service center for repair.

LIMITED SECOND THROUGH FIFTH YEAR WARRANTY

For the second through the fifth year from the date of original purchase, Avanti Products will provide a replacement compressor free of charge due to a failure. You are responsible for the service labor and freight charges. In rental or commercial use, the limited compressor warranty is one year and nine months. Costs involved to move the product to the service center and back to the user's home, as maybe required, are the user's responsibility.

WARRANTY EXCLUSIONS / WHAT IS NOT COVERED:

The warranty coverage described herein excludes all defects or damage that are not the direct fault of Avanti Products, including without limitation, one or more of the following:

- A failure to comply with any applicable state, local, city, or county electrical, plumbing and/or building codes, regulations, or laws, including failure to install the product in strict conformity with local fire and building codes and regulations.
 - Any external, elemental and/or environmental forces and factors, including without limitation, rain, wind, sand, floods, fires, mud slides, freezing temperatures, excessive moisture or extended exposure to humidity, lightning, power surges, structural failures surrounding the appliance, and acts of God.
- | | |
|--|--|
| <ul style="list-style-type: none"> • Content losses of food or other content due to spoilage. • Incidental or consequential damages • Parts and labor costs for the following will not be considered as warranty: <ul style="list-style-type: none"> • Plastic cabinet liners. • Punctured evaporator that voids the warranty on the complete sealed system. | <ul style="list-style-type: none"> • Shipping and handling costs associated with the replacement of the unit. • Repairs performed by unauthorized servicers. • Service calls that are related to external problems, such as abuse, misuse, inadequate electrical power, accidents, fire, floods, or any other acts of God. • Failure of the product if it is used for other than its intended purpose. • The warranty does not apply outside the Continental USA. • Surcharges including but not limited to, any after hour, weekend, or holiday service calls, tolls, ferry trip charges, or mileage expense for service calls to remote areas. |
|--|--|

In no event shall Avanti Products have any liability or responsibility whatsoever for damage to surrounding property, including cabinetry, floors, ceilings, and other structures and/or objects around the product. Also excluded from this warranty are scratches, nicks, minor dents, and other cosmetic damages on external surfaces and exposed parts; Products on which the serial numbers have been altered, defaced or removed; service visits for customer education, or visits where there is nothing wrong with the product; correction of installation problems (you are solely responsible for any structure and setting for the product, including all electrical, plumbing and/or other connecting facilities, for proper foundation/flooring, and for any alterations including without limitation cabinetry, walls, floors, shelving etc., as well as the resetting of breakers or fuses.

OUT OF WARRANTY PRODUCT

Avanti Products is under no obligation, at law or otherwise, to provide you with any concessions, including repairs, pro-rates, or product replacement, once this warranty has expired.

WARRANTY – REFRIGERATION - COMPRESSOR

MEDIDAS DE PRECAUCION IMPORTANTES

~ ADVERTENCIA ~	Para reducir el riesgo de un incendio, choque eléctrico o daños personales cuando use la máquina de hacer hielo, siga estas precauciones básicas.
<ul style="list-style-type: none">· Lea todas las instrucciones antes de usar la máquina de hacer hielo.· Peligro o Advertencia: riesgo de niños atrapados.· Los niños atrapados o sofocados no son un problema del pasado. Electrodomésticos abandonados aún son peligrosos...aun cuando “solo estarán en el garaje un par de días”.· Antes de botar su máquina de hacer hielo: Retire la bandeja de hielo.· Nunca permita que los niños operen, jueguen con o se introduzcan en la máquina.· Nunca limpie la máquina de hacer hielo o las piezas con líquidos inflamables. Los vapores pueden causar peligro de fuego o explosión.· No guarde ni use gasolina u otros vapores o líquidos inflamables cerca a este u otra máquina de hacer hielo. Los vapores pueden causar peligro de fuego o explosión.· <p style="text-align: center;">-guarde estas instrucciones -</p>	

INSTRUCCIONES DE INSTALACION

Ø Antes de usar su Máquina de Hacer Hielo

- Retire el empaque interno y externo.
- Verifique que haya recibido las siguientes piezas:
 - 1 Manual de Instrucciones
 - 1 Paleta para cubitos de hielo
- Antes de conectar la máquina de hacer hielo a la corriente eléctrica, colóquela parada en posición vertical por 2 horas aproximadamente. Esto reducirá la posibilidad de mal funcionamiento en el sistema de enfriado, causado por el manejo y manipuleo durante el transporte.
- Limpie la superficie interior con agua tibia, usando un trapito suave.

Ø Instalación de su máquina de hacer hielo

- Coloque la máquina de hacer hielo fuera de la luz solar directa y de fuentes de calor (cocina, calentador, radiador, etc.). La luz solar directa puede afectar la capa acrílica y las fuentes de calor puede incrementar el consumo eléctrico. Las temperaturas de ambiente extremadamente altas también podrían ocasionar que su máquina de hacer hielo no funcione correctamente.
- Conecte la máquina de hacer hielo a un receptáculo/enchufe de pared correctamente instalado, de uso exclusivo para esta. Bajo ninguna circunstancia corte o retire la tercera punta (cable a tierra) del cordón. Cualquier consulta que tenga referente a la electricidad y/o cable a tierra, debe ser dirigida a un electricista certificado o a un centro de servicios autorizado por Avanti Products.

IMPORTANTE: No instale la máquina de hacer hielo cerca de un horno, radiador u otras fuentes de calor.

CONEXIÓN ELÉCTRICA

~ ADVERTENCIA ~

EL USO INAPROPIADO DEL ENCHUFE A TIERRA PUEDE OCASIONAR RIESGO DE UN CHOQUE ELECTRICO. SI EL CORDON SE DAÑASE, LLEVELO A UN CENTRO DE SERVICIO AUTORIZADO POR AVANTI PRODUCTS PARA QUE SE REEMPLACE.

- Para su seguridad, esta máquina de hacer hielo debe estar apropiadamente conectada a tierra. El cordón eléctrico de esta máquina de hacer hielo está equipado con un enchufe de tres puntas, el cual encaja perfectamente en los receptáculos/enchufes de pared de tres puntas estándar, para minimizar la posibilidad de un choque eléctrico.
- Bajo ninguna circunstancia corte o retire la tercera punta (cable a tierra) del enchufe del cordón eléctrico.
- Nunca use un cable de extensión para conectar la unidad a la electricidad.
- Nunca use un adaptador con enchufe de solo 2 puntas.
- Si solo puede conectar la máquina de hacer hielo a un receptáculo/enchufe de pared de 2 puntas, comuníquese con un electricista calificado para que reemplace ese receptáculo/enchufe de pared por uno de 3 puntas, de acuerdo con los códigos de electricidad aplicables.
- Esta máquina de hacer hielo requiere un receptáculo/enchufe de pared de tres puntas estándar de 115/120 voltios a.c.~/60hz.
- Para prevenir cualquier daño físico o lesión, el cordón debe ser asegurado detrás de la máquina de hacer hielo y no estar expuesto o colgando.

Ø **Cable de Extensión**

Debido al posible riesgo de seguridad causado bajo ciertas circunstancias, se recomienda firmemente que no use un cable de extensión para este electrodoméstico. Sin embargo, si no tiene otra opción más que usar un cable de extensión, asegúrese que este sea un cable de extensión para electrodomésticos que este listado bajo UL/CUL, que tenga enchufe y receptáculo para enchufe de tres puntas (cable a tierra) y que la capacidad del cordón eléctrico sea de 115 voltios y no menos de 10 amperios.

Ø **Protector contra variaciones de corriente eléctrica (Surge Protector).**

La mayoría de electrodomésticos utilizan unas series de paneles de control para operar. Estos paneles son muy susceptibles a las variaciones de corriente eléctrica, las cuales causan que estos se dañen o destruyen.

Si vive en un área o ciudad donde hay muchas variaciones de corriente o apagones, se recomienda que utilice un protector contra variaciones de corriente para todos los electrodomésticos y aparatos eléctricos. El protector que elija debe bloquear una variación de electricidad alta para poder proteger el electrodoméstico al cual está conectado. Por favor contáctese con un electricista licenciado en su área si tuviera preguntas en referencia al tipo y tamaño de protector que necesita.

Daños debido a variaciones de electricidad no se consideran un defecto del fabricante y podrían anular la garantía.

OPERANDO SU MÁQUINA DE HACER HIELO

Ø Descripción del Panel de Control

INDICADOR DE ENCENDIDO

El indicador marcado POWER se iluminará en rojo cuando la unidad esté enchufada.

AGREGAR INDICADOR DE AGUA

La fábrica de hielo verifica automáticamente el nivel del agua en el tanque. Si el nivel de agua es demasiado bajo, el indicador se iluminará en AMBAR y dejará de funcionar automáticamente. Presione el botón ON / OFF, agregue agua a la unidad y presione nuevamente el botón ON / OFF, el indicador se apagará y se reanudará el funcionamiento normal.

ICE FULL INDICATOR

Cuando el depósito de hielo está lleno, el indicador se iluminará en AMBAR.

El indicador permanecerá encendido hasta que el hielo en el recipiente se derrita lentamente o se haya eliminado. La unidad permanecerá en el modo "En espera" hasta que se haya eliminado / derretido el hielo, momento en el que la unidad comenzará a funcionar automáticamente de forma normal.

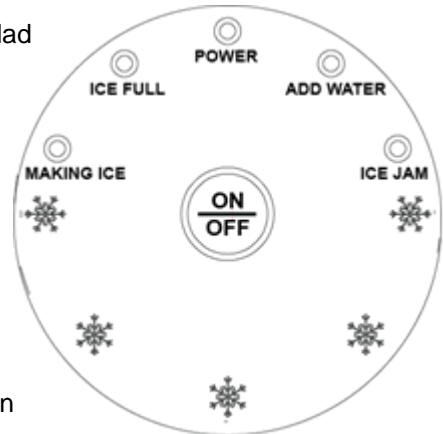
HACIENDO HIELO

Cuando el sistema está en proceso de un ciclo de fabricación de hielo, la luz se iluminará en AZUL durante el proceso de fabricación de hielo.

ICE JAM

Si la pala del cubo de hielo que mueve el hielo del área de congelación al cesto de almacenamiento se atasca con un cubo de hielo, la luz ICE JAM se iluminará en ROJO y cerrará el sistema de fabricación de hielo y el sistema de enfriamiento durante aproximadamente 10 minutos para permitir que cubo para derretir

Después de aproximadamente 10 minutos, la luz se apagará y el sistema volverá a funcionar normalmente.



Instrucciones de Operación

Iniciando el proceso con su máquina de hacer hielo

- Levante la tapa de la unidad.
- Remueva el polvo o cualquier objeto que esté en el tanque de agua.
- Llena el tanque de agua hasta el área marcada "MAX".
- La máquina de hacer hielo automáticamente verifica el nivel de agua en el tanque. Si el nivel de agua en el tanque fuera muy bajo, el indicador para añadir agua (ADD WATER) se iluminará en AMBAR y detendrá el funcionamiento.
- Llene el tanque de agua y presione el botón ON/OFF. El indicador rojo se apagará y empezará a funcionar normalmente.
- Cuando los cubos de hielo se van almacenando y llegan al tope del sensor, la máquina de hacer hielo detendrá el funcionamiento y el indicador de ICE FULL (CICLO COMPLETO) se encenderá.
- Para mejor funcionamiento, la temperatura del agua debe estar entre 7°C (45°F) y 35°C (95°F) y la del ambiente entre 15°C (59°F) y 25°C (77°F).

Sacando hielo del recipiente de hielo

- Levante la tapa de la unidad.
- Retire la cantidad de hielo deseada, baje la tapa a su sitio original y cierre.

CUIDADO Y MANTENIMIENTO

Precaución

Asegúrese de desconectar la máquina de hacer hielo de la electricidad antes de limpiarla, de lo contrario puede ocasionar un choque eléctrico o daño personal.

Ø Limpiando su máquina de hacer hielo

- Para asegurar la higiene en los cubos de hielo, se recomienda llenar el tanque con agua filtrada.
- Cuando la máquina de hacer hielo no sea usada por un largo período de tiempo, retire el tapón del drenaje para que el agua remanente del tanque sea descartada. Coloque el tapón del drenaje nuevamente en su sitio después que toda el agua haya sido drenada.
- Siempre use agua fresca antes de empezar la producción de hielo durante la instalación inicial o después de largos períodos de inactividad.
- Por favor limpie su máquina de hacer hielo regularmente. Cuando la limpie, desconecte la unidad de la electricidad y retire los cubos de hielo. Use una solución diluida de agua y vinagre para limpiar el interior y el exterior de la superficie de la máquina de hacer hielo. No rocíe la máquina de hacer hielo con sustancias químicas o agentes diluidos, tales como ácidos, gasolina o aceite. Enjuague bien antes de empezar el funcionamiento.

Ø Requerimientos de espacio

- El ángulo de inclinación de la unidad durante el transporte no debe exceder los 45°
- No ponga la máquina de hacer hielo de cabeza ya que esto puede producir problemas en el compresor y el sistema sellado.
- La máquina de hacer hielo debe ser colocada sobre una superficie correctamente nivelada.
- Para asegurar ventilación apropiada para su máquina de hacer hielo, deje 6" de espacio encima de la superficie, la parte posterior y los lados.
- Antes de usar la máquina de hacer hielo por primera vez, por favor espere 2 horas después de colocarla en su posición final.
- Limpie la superficie interna, el contenedor del hielo, el tanque de agua y el reservorio para rellenar el tanque de agua con mucha frecuencia.

IMPORTANTE: No instale la máquina de hacer hielo cerca de un horno, radiador u otras fuentes de calor.

Ø Falta de electricidad

Cuando la electricidad se va, la mayoría de las veces regresará en unas pocas horas y no debe afectar la temperatura de su máquina de hacer hielo siempre y cuando Ud. minimice las veces que se abra la puerta del contenedor del hielo. Si la electricidad va a estar desconectada por un largo período de tiempo, entonces debe tomar los pasos apropiados y desconectar la unidad.

PROBLEMAS CON SU MÁQUINA DE HACER HIELO?

Ud. puede resolver muchos problemas simples de máquina de hacer hielo fácilmente, ahorrándose el costo de una visita del servicio técnico. Pruebe las sugerencias a continuación para ver si con ellas puede resolver el problema antes de llamar al técnico.

GUIA PARA RESOLVER PROBLEMAS

Problema	Causa Posible	Sugerencias
El compresor no funciona normalmente, tiene un ruido.	El voltaje es menor que el recomendado.	Apague la máquina de hacer hielo y no la encienda hasta que el voltaje vuelva a la normalidad.
El indicador para añadir más agua está encendido.	El tanque de agua no tiene suficiente agua.	Presione el botón ON/OFF, llénelo de agua, espere 3 minutos y luego encienda la unidad presionando el botón START.
El indicador de recipiente de hielo lleno está encendido.	El recipiente de hielo está lleno hasta el tope.	Remueva un poco de hielo.
Las luces indicadoras están apagadas.	Se voló un fusible / la máquina no está conectada o no hay electricidad / voló el interruptor.	Reemplace el fusible / verifique que la máquina está enchufada / encienda la máquina.
Los cubos de hielo son muy grandes y se están pegando unos a otros.	La temperatura del agua en el recipiente de hielo o del ambiente es muy baja.	Apague la máquina y re programe el ciclo de hacer hielo. Luego de apagar la máquina enciéndala otra vez.
La luz indicadora Ice Jam se enciende cuando se enchufa por primera vez.	Problema del motor o del panel de control	Presione el botón ON / OFF y desenchufe la unidad para restablecer el sistema. Si el problema persiste, comuníquese con el servicio al cliente.
Las luces indicadoras de Hielo Lleno (Ámbar) y Agregar Agua (Ámbar) están encendidas	Posible problema del sistema de enfriamiento	Presione el botón ON / OFF para desconectar la unidad y permitir que el sistema se reinicie. Espere aproximadamente 10 minutos antes de conectar la unidad y reiniciar el proceso de fabricación de hielo. Si el problema persiste, comuníquese con el servicio al cliente.
Todas las condiciones para el ciclo de hacer hielo están correctas pero no hay hielo.	Fuga o goteo de refrigerante / el sistema sellado está bloqueado.	Reemplace la unidad.

SÉCURITÉ RELATIVE À L'APPAREIL

Votre sécurité et celle des autres nous importent au plus haut point.

Ce manuel ainsi que votre appareil contiennent des symboles de sécurité dont vous devez tenir compte et que vous devez respecter en tout temps.



Voici le symbole de sécurité. Ce symbole vous prévient des dangers potentiels susceptibles de vous tuer ou de vous blesser ainsi que votre entourage. Tous les signaux de sécurité seront précédés de ce symbole ainsi que des termes « DANGER », « AVERTISSEMENT » et « ATTENTION ».



« Danger » signifie que le fait de ne pas tenir compte de ce signal de sécurité pourrait entraîner des blessures corporelles ou la mort.



« Avertissement » signifie que le fait de ne pas tenir compte de ce signal peut causer des dommages matériels importants au produit, des blessures corporelles graves et même la mort.



« Attention » signifie que le fait de ne pas tenir compte de ce signal peut causer des blessures corporelles mineures et des dommages à la propriété ou à l'équipement.

Les signaux de sécurité vous serviront à repérer les dangers potentiels, à réduire les risques de blessure et à comprendre ce qui pourrait se produire si les instructions n'étaient pas suivies.

CONSEILS DE SÉCURITÉ IMPORTANTS



Avant toute utilisation, l'appareil doit être convenablement positionné et installé comme il est décrit dans ce manuel, il est donc nécessaire de le lire attentivement. Pour réduire les risques d'incendie, d'électrocution ou de blessure lors de l'utilisation de l'appareil, nous vous recommandons de suivre les mesures de sécurité suivantes :

DANGER

- Branchez l'appareil à une prise triphasée mise à la terre, ne retirez pas la broche de masse, ne pas utiliser d'adaptateur ni de rallonge.
- Remplacez tous les panneaux avant de mettre en marche l'appareil.
- Il est recommandé de ne pas brancher cet appareil dans la prise d'un autre appareil ni dans une prise qui peut être éteinte par un interrupteur ou par une chaîne de traction.
- Ne nettoyez jamais les pièces de l'appareil avec des liquides inflammables. Les vapeurs provoquées par ces liquides risquent de déclencher un incendie ou une explosion dangereuse.
- Ne placez pas l'appareil près d'essence ou de tout autre produit liquide ou gazeux inflammable. La fumée que ces produits dégagent pourrait déclencher un incendie ou une explosion dangereuse.
- Évitez les risques d'électrocution en débranchant l'appareil avant de procéder à son nettoyage ou à sa réparation.
- Lorsque vous branchez ou débranchez l'appareil, assurez-vous que vos mains sont bien sèches.
- Ne tentez pas de réparer l'appareil ni d'en remplacer une pièce à moins que ce ne soit spécifiquement recommandé dans ce manuel. Laissez à un technicien qualifié le soin de procéder à toute réparation non recommandée.

WARNING

- Déplacez l'appareil à deux ou à plusieurs personnes afin d'éviter les blessures.
- Pour assurer la ventilation convenable de l'appareil, laissez-en le devant complètement dégagé. Choisissez une pièce bien aérée d'une température entre 16 à 32 °C, à l'abri des éléments tels que le vent et la pluie ainsi que l'eau pulvérisée et en gouttes.
- Ne placez pas l'appareil à proximité d'un four, d'une cuisinière ou de toute autre source de chaleur.
- Installez l'appareil avec tous les branchements électriques requis par les codes provinciaux. Une alimentation électrique standard (115 Volts CA uniquement et 60Hz) convenablement reliée à la terre et conforme au Code canadien de l'électricité et aux codes et aux ordonnances locaux est requise.
- L'intensité du fusible (ou du disjoncteur) doit être de 15 ampères.
- Il est important que l'appareil soit à niveau afin qu'il fonctionne correctement. Il se peut que vous deviez faire plusieurs ajustements pour y arriver.
- Ne laissez pas d'enfants jouer avec l'appareil.
- Pour nettoyer l'appareil, n'utilisez pas d'agents abrasifs à base de solvant qui pourraient endommager ou en décolorer les surfaces.
- N'utilisez l'appareil qu'aux fins auxquelles il a été conçu.

AIDEZ-NOUS À VOUS AIDER...

Lisez attentivement le présent guide d'utilisation.

Il a été conçu pour vous aider à utiliser et à entretenir votre nouvel appareil.

Conservez-le à portée de la main pour vous y référer au besoin. Si quelque chose vous échappe ou que vous avez besoin de renseignements supplémentaires, écrivez-nous à :

Avanti Products
10880 NW 30 Street
Miami, FL 33172

Conservez une preuve originale de la date d'achat (tel que le reçu de caisse) avec le présent guide afin de pouvoir établir la période de garantie.

ATTENTION!

CE L'APPAREIL N'EST PAS CONÇU POUR
L'ENTREPOSAGE DE MÉDICAMENTS OU DE
TOUT AUTRE PRODUIT PHARMACEUTIQUE.

Inscrivez les numéros de modèle et de série

Vous les trouverez sur un autocollant situé à l'arrière de l'appareil.

Veillez inscrire ces numéros ci-dessous :

Date d'achat

Numéro de modèle

Numéro de série

Indiquez ces numéros dans toute correspondance ou lors de tout appel de service concernant votre appareil.

Si vous avez reçu un appareil endommagé, avisez-en immédiatement le détaillant qui vous a vendu le l'appareil.

Économisez temps et argent. Avant de faire appel à nos services, vérifiez la liste des problèmes de fonctionnement mineurs faciles à résoudre dressée dans le présent guide.

POUR TOUTE ASSISTANCE

Nous sommes fiers de notre service et désirons votre entière satisfaction. Si, pour une quelconque raison, vous n'êtes pas satisfaits du service, voici quelques étapes à suivre pour obtenir une aide supplémentaire.

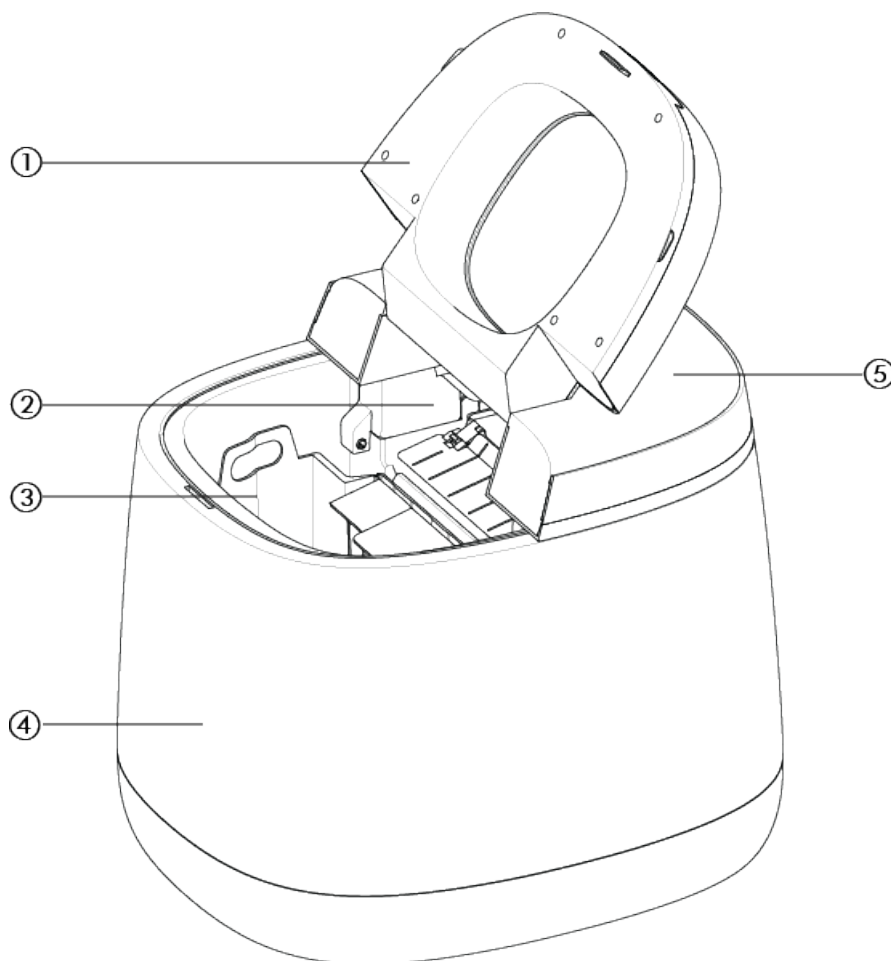
Tout d'abord, communiquez avec le service de réparation avec lequel vous avez fait affaire. Expliquez les raisons de votre insatisfaction. Dans la plupart des cas, cela résoudra le problème.

Ensuite, si vous n'êtes toujours pas satisfait, consignez tous les détails par écrit, accompagnés de votre numéro de téléphone, et envoyez-les à :

Avanti – Service à la clientèle
10880 NW 30 Street
Miami, FL 33172 USA

1-800-220-5570

PIÈCES ET CARACTÉRISTIQUES



1	COUVERCLE SUPÉRIEUR
2	SYSTÈME DE FABRICATION DE GLACE
3	PANIER À GLACE
4	CABINET
5	PANNEAU DE CONTRÔLE

CONSIGNES DE SÉCURITÉ IMPORTANTES

~ ATTENTION ~	Pour réduire le risque d'incendie, d'électrocution ou de blessure lors de l'utilisation de votre machine à glaçons, suivre ces précautions de base:
<ul style="list-style-type: none">· Lisez toutes les instructions avant d'utiliser la machine à glaçons.· Danger ou Avertissement: Risque de piégeage des enfants.· piégeage des enfants et la suffocation ne sont pas des problèmes du passé. appareils jetés ou abandonnés sont toujours dangereux. . . Même s'ils vont "rester assis dans le garage quelques jours."· Ne jamais laisser les enfants utiliser, jouer avec l'appareil.· Jamais parties propres de la machine à glaçons avec des liquides inflammables. Les vapeurs peuvent créer un risque d'incendie ou d'explosion.· Ne pas entreposer ou utiliser d'essence ou d'autres vapeurs et liquides inflammables à proximité de cet appareil ou toute autre machine à glaçons. Les vapeurs peuvent créer un risque d'incendie ou d'explosion. <p style="text-align: center;">-save ces INSTRUCTIONS-</p>	

INSTRUCTIONS D'INSTALLATION

Ø Avant d'utiliser votre machine à glaçons

- Retirez l'emballage extérieur et intérieur.
- Vérifiez que vous avez toutes les pièces suivantes:
 - 1 Mode d'emploi
 - 1 Scoop
- Avant de brancher la machine à glaçons à la source d'alimentation, laissez-le tenir debout pendant environ 2 heures. Cela permettra de réduire la possibilité d'un mauvais fonctionnement du système de refroidissement lors de la manipulation durant le transport.
- Nettoyer la surface intérieure à l'eau tiède avec un chiffon doux.

Ø Installation de votre machine à glaçons

- Localisez la machine à glaçons l'abri du soleil et des sources de chaleur (cuisinière, chauffage, radiateur, etc.). La lumière solaire directe peut affecter le revêtement acrylique et sources de chaleur peuvent augmenter la consommation électrique. Les températures ambiantes froides extrêmes peuvent aussi causer la machine à glaçons ne pas fonctionner correctement.
- Branchez la machine à glaçons dans une prise murale correctement installée à la terre exclusive. Ne pas en aucun cas réduire ou supprimer la troisième (terre) du cordon d'alimentation. Toute question concernant le pouvoir et ou mise à la terre doivent être adressées à un électricien certifié ou un centre de service produits Avanti autorisé.

IMPORTANT: Ne pas installer la machine à glaçons près d'un four, un radiateur ou autre source de chaleur.

CONNEXION ÉLECTRIQUE

~ Attention ~

Une mauvaise utilisation de la prise de terre peut entraîner un risque de choc électrique. Si le cordon d'alimentation est endommagé, faites-le remplacer par un centre de service Avanti Produits autorisé.

Cet appareil doit être correctement mis à la terre pour votre sécurité. Le cordon d'alimentation de cet appareil est équipé d'une fiche à trois broches qui accouple avec trois standards prises murales broches afin de minimiser le risque de choc électrique.

Ne pas en aucun cas couper ou enlever la troisième broche de terre du cordon d'alimentation fourni. Pour votre sécurité, cet appareil doit être correctement mis à la terre.

Cet appareil nécessite une prise de sol standard 115/120 Volt AC ~ / 60Hz électrique avec trois broches. Avoir la prise murale et le circuit par un électricien qualifié pour vous assurer que la prise est correctement mise à la terre. Quand une prise murale standard de 2 broches est rencontrée, il est de votre responsabilité et l'obligation de la faire remplacer par une prise murale à 3 broches correctement mise à la terre.

Le cordon doit être fixé derrière l'appareil et non laissés exposés ou qui pendent pour prévenir les blessures accidentelles.

L'appareil doit toujours être branché dans sa propre prise de courant qui a une tension qui correspond à l'étiquette apposée sur l'appareil. Ceci permet d'obtenir les meilleures performances et éviter une surcharge des circuits de câblage de la maison qui pourraient causer un risque d'incendie de surchauffe. Ne jamais débrancher l'appareil en tirant sur le cordon d'alimentation. Toujours saisir fermement la fiche et tirez tout droit sorti de la prise. Réparer ou remplacer immédiatement tous les cordons d'alimentation qui sont devenus usés ou endommagés. Ne pas utiliser un cordon qui présente des fissures ou des dommages à l'abrasion sur sa longueur ou à chaque extrémité. Lors du déplacement de l'appareil, veillez à ne pas endommager le cordon d'alimentation.

Ø **RALLONGE ÉLECTRIQUE**

En raison des risques potentiels pour la sécurité dans certaines conditions, il est fortement recommandé de ne pas utiliser une rallonge avec cet appareil. Toutefois, si vous devez utiliser une rallonge, il est absolument nécessaire que ce soit un UL / CUL, 3 fils de terre appareil rallonge ayant une fiche de mise à la terre et à la sortie et que la puissance électrique du câble est de 115 volts et au moins 10 ampères.

Ø **PARASURTENSEUR**

La plupart des appareils électriques utilisent une série de tableaux de commande électriques pour fonctionner. Ces cartes sont très sensibles aux surtensions et pourraient être endommagés ou détruits.

Si l'appareil va être utilisé dans une zone ou si votre ville / pays est sujette à des surtensions / coupures; il est suggéré que vous utilisez un dispositif de protection contre les surtensions pour tous les dispositifs / appareils électriques que vous utilisez. Le protecteur de surtension que vous sélectionnez doit avoir un bloc de poussée suffisamment élevé pour protéger l'appareil, il est connecté. Si vous avez des questions concernant le type et la taille d'un protecteur de surtension contact nécessaire à un électricien agréé dans votre région.

Les dommages dus à des surtensions ne sont pas considérés comme un fabricant couvert défaut et annulera la garantie du produit.

UTILISATION DE VOTRE ICE MAKER

Ø Panneau de commande

INDICATEURS LED

INDICATEUR DE PUISSANCE

L'indicateur au-dessus du mot POWER s'allume lorsque l'appareil est branché.

Il s'allume en ROUGE lorsque l'appareil est allumé.

AJOUTER UN INDICATEUR D'EAU

La machine à glaçons vérifie automatiquement le niveau d'eau dans le réservoir. Si le niveau d'eau est trop bas, l'indicateur s'allumera en AMBRE et cessera de fonctionner automatiquement. Appuyez sur le bouton ON / OFF, ajoutez de l'eau à l'appareil et appuyez à nouveau sur le bouton ON / OFF. L'indicateur s'éteindra et reprendra son fonctionnement normal.

INDICATEUR COMPLET GLACE

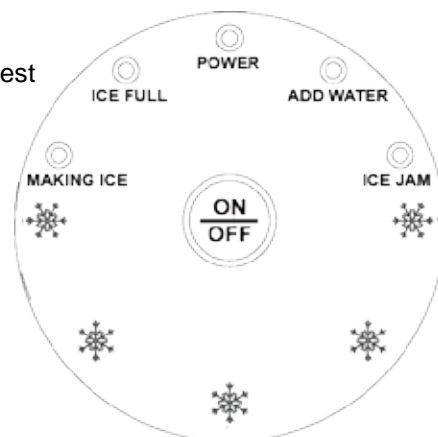
Lorsque la glacière est pleine, l'indicateur s'allume en AMBRE. L'indicateur restera allumé jusqu'à ce que la glace dans le bac soit fond lentement ou ait été enlevée. L'appareil restera en mode «attente» jusqu'à ce que la glace ait été retirée / fondue, moment auquel l'appareil commencera automatiquement à fonctionner normalement.

FAIRE DE LA GLACE

Lorsque le système est en cours de cycle de fabrication de glace, la lumière s'allume en BLEU pendant le processus de fabrication de la glace.

ICE JAM

Si la pelle à glaçons qui transporte la glace de la zone de congélation vers le panier de rangement se coince avec un glaçon, le voyant ICE JAM s'allume en ROUGE et ferme le système de fabrication de glaçons et le système de refroidissement pendant environ 10 minutes. cube à faire fondre. Après environ 10 minutes, la lumière s'éteindra et le système retournera au fonctionnement normal.



Mode d'emploi

À partir de votre machine à glaçons

- Ouvrez le capot supérieur et retirez le panier de glaçons.
- Enlever la poussière ou des objets qui peuvent être dans le réservoir d'eau
- Remplir le réservoir d'eau jusqu'à la zone marquée "MAX".
- Le fabricant de glaçons vérifie automatiquement le niveau d'eau dans le réservoir périodiquement. La machine à glaçons permet de détecter toute pénurie d'eau et arrêter le cycle de fabrication de glaçons, puis l'indicateur EAU ADD sera allumé
- Remplir le réservoir avec de l'eau et appuie sur le bouton ON / OFF pour redémarrer le cycle de fabrication de glaçons et l'indicateur EAU ADD va comme le fabricant de glaçons va commencer son cycle de fonctionnement normal.
- Lorsque les cubes de glaçons sont collectés et atteignent le capteur de bac, la machine à glaçons cessera de fonctionner et l'indicateur FULL ICE sera allumé

ATTENTION:

La lumière solaire directe peut affecter les capteurs infrarouges et provoquer un mauvais fonctionnement.

Si à tout moment l'unité ne cesse de l'opération de fabrication de glaçons, même lorsque le glaçon bac est plein, déplacer l'appareil à un autre endroit où il est hors de la lumière solaire directe.

- Pour des performances optimales, la température de l'eau doit être comprise entre 7 ° C (45 ° F) et 35 ° C (95 ° F) et la température ambiante entre 15 ° C (59 ° F) et 25 ° C (77 ° F).

Obtenir les glaçons de la glaçons-bin

- Ouvrez le capot supérieur pour accéder au panier de glaçons.
- Retirer la quantité de glaçons que désiré et fermer la partie supérieure.

SOINS ET ENTRETIEN

Prudence

Ne pas débrancher la machine à glaçons pourrait entraîner un choc électrique ou de blessure.

Ø Nettoyage de votre machine à glaçons

- Pour assurer la propreté des glaçons, il est recommandé d'utiliser de l'eau filtrée.
- Retirez le bouchon de vidange pour évacuer l'eau restant dans le réservoir d'eau lorsque la machine à glaçons ne sera pas utilisée pendant une longue période de temps. Retourner le bouchon de vidange en place après que l'eau a été vidangée.
- Toujours changer à l'eau douce avant de commencer la production de glaçons lors de l'installation initiale ou après de longues périodes d'arrêt.
- S'il vous plaît nettoyer votre machine à glaçons régulièrement. Lors du nettoyage, débranchez l'appareil et retirez les cubes de glaçons. Utilisez une solution diluée d'eau et de vinaigre pour nettoyer l'intérieur et la surface extérieure de la machine à glaçons. Ne pas vaporiser machine à glaçons avec des produits chimiques ou des agents dilués tels que des acides, de l'essence ou de l'huile. Rincer soigneusement avant de commencer.

Ø Espace requis

- Pendant le transport, l'angle d'inclinaison de l'armoire ne doit pas être de plus de 45 °
- Ne pas mettre la machine à glaçons à l'envers. Des problèmes pourraient se produire dans le compresseur et système scellé.
- La machine à glaçons doit être placée horizontalement sur une surface bien nivelée.
- Pour assurer une bonne ventilation pour votre machine à glaçons permet 6 "d'espace en haut, l'arrière et de chaque côté.
- Avant d'utiliser la machine à glaçons pour la première fois, s'il vous plaît attendre 2 heures après son positionnement.
- Nettoyer la doublure intérieure, de la glaçons-bin, boîte à eau, tasse de l'eau fréquemment.

IMPORTANT: Ne pas installer la machine à glaçons près d'un four, un radiateur ou autre source de chaleur.

Ø Panne électrique

La plupart des pannes de courant sont corrigées en quelques heures et ne devraient pas affecter la température de votre machine à glaçons si vous réduisez le nombre de fois que le glaçon bin est ouvert. Si la puissance va être OFF pour une longue période de temps, vous devez prendre les mesures appropriées pour déconnecter votre appareil.

PROBLÈMES AVEC VOTRE ICE MAKER?

Vous pouvez résoudre de nombreux problèmes de machine à glaçons commune facilement, vous permet d'économiser le coût d'un appel de service possible. Essayez les suggestions ci-dessous pour voir si vous pouvez résoudre le problème avant d'appeler le réparateur.

GUIDE DE DÉPANNAGE

Problème	Cause possible	Solutions suggérées
Le compresseur fonctionne anormalement avec un bourdonnement Bruit.	La tension est inférieure à conseillé.	Arrêtez la machine à glaçons et ne redémarre pas jusqu'à ce que la tension soit normale.
indicateur de pénurie d'eau La lumière est sûre.	Il n'y a pas assez d'eau dans le réservoir.	Appuie sur le bouton ON / OFF, remplir d'eau, attendre 3 minutes et appuyez à nouveau sur le bouton d'alimentation pour redémarrer.
Ice indicateur pleine lumière est allumée.	armoie de stockage de glaçons est pleine vers le haut.	Retirez une partie des glaçons.
Les voyants sont éteints.	Fusible grillé / pas de puissance / disjoncteur soufflé	Remplacer le fusible / mettre sous tension.
La glaçons faite est trop grande et avec des morceaux collent ensemble.	La température de l'eau dans le bac de stockage ou à température ambiante est trop basse.	Arrêter la machine et réinitialiser le cycle de fabrication de glaçons. Redémarrer la machine après l'avoir éteint.
Le témoin de bourrage de glace s'allume lors de la première connexion.	Problème de moteur ou de panneau de commande	Appuyez sur le bouton ON / OFF et débranchez l'appareil pour réinitialiser le système. Si le problème persiste, contactez le service client.
Conditions pour le cycle de fabrication de glaçons sont à droite, mais pas de glaçons est fait.	les fuites de fluide frigorigène / système scellé est bloqué.	Remplacer l'unité.

Service pour votre machine à glaçons

Nous sommes fiers de notre organisation de service à la clientèle et le réseau de techniciens de services professionnels qui offrent des services sur votre Avanti machine à glaçons. Avec l'achat de votre Avanti ice maker, vous pouvez être sûr que si vous avez besoin d'informations ou de l'aide, l'équipe du service à la clientèle Avanti Products sera là pour vous. Appelez-nous sans frais.

Avanti Products Services clients

Information produit 800-323-5029	Quelles que soient vos questions sont sur nos produits, l'aide est disponible.
commandes de pièces 800-220-5570	Vous pouvez commander des pièces et accessoires qui seront livrés directement à votre domicile, par chèque personnel, mandat, carte maître, ou un visa.
Dans la maison de service de réparation 800-220-5570	Un centre de service Avanti Produits autorisé fournira un service de réparation expert, prévue à un moment qui vous convient. Nos réparateurs formés connaissent votre machine à glaçons à l'intérieur et à l'extérieur.

VOS PRODUITS AVANTI GARANTIE	Staple votre reçu de vente ici. Preuve de la date d'achat originale est nécessaire pour obtenir un service sous garantie.
CE QUI EST COUVERT - GARANTIE LIMITÉE D'UN AN	
Avanti Products garantit que le produit est exempt de défauts de matériaux et / ou de fabrication pour une période de douze (12) mois à compter de la date d'achat par le propriétaire initial. La durée commence à courir à la date d'achat, et ne sera pas retardée, restreinte, prolongée ou suspendu pour quelque raison que ce soit, sauf si décrit en détail dans le document de garantie. Pendant un an à compter de la date d'achat par le propriétaire d'origine, les produits Avanti seront, à sa discrétion, réparer ou remplacer toute partie du produit qui se révèle être un défaut de matériau ou de fabrication dans une utilisation normale. Avanti Products vous fournira un produit raisonnablement semblable nouveau ou remis à neuf. Au cours de cette période Avanti Products fournira toutes les pièces et la main-d'œuvre nécessaires pour corriger ces défauts gratuitement, aussi longtemps que le produit a été installé et utilisé conformément aux instructions écrites dans ce manuel. En usage locatif ou commercial, la période de garantie est de 90 jours. Tous les appareils Avanti de 3,5 pieds cubes la capacité ou moins doivent être traduits / envoyé au centre de service de l'appareil pour la réparation.	
DEUXIÈME LIMITÉE À LA CINQUIÈME ANNÉE GARANTIE	
Pour la deuxième à la cinquième année à partir de la date d'achat originale, Avanti Products fournira un compresseur de remplacement gratuit en raison d'un échec. Vous êtes responsable de la main-d'œuvre et de fret de service. En usage locatif ou commercial, la garantie du compresseur est limitée à un an et neuf mois. Les coûts impliqués pour déplacer le produit au centre de service et de retour à la maison de l'utilisateur, comme peut-être nécessaire, sont à la charge de l'utilisateur.	
EXCLUSIONS DE LA GARANTIE / NON COUVERTS:	
La couverture de la garantie décrite ici exclut tous les défauts ou les dommages qui ne sont pas la faute directe de Avanti Products, y compris, sans limitation, un ou plusieurs des éléments suivants:	
<ul style="list-style-type: none"> • Un non-respect de tout État applicable, local, ville, ou du comté électricité, plomberie et / ou des codes du bâtiment, des règlements ou des lois, y compris le défaut d'installer le produit en stricte conformité avec le feu et les codes du bâtiment et les règlements locaux. • Les forces externes, élémentaires et / ou l'environnement et les facteurs, y compris, sans s'y limiter, la pluie, le vent, le sable, les inondations, les incendies, les coulées de boue, des températures de congélation, l'humidité excessive ou à une exposition prolongée à l'humidité, la foudre, les surtensions, les défaillances structurelles entourant l'appareil, et les actes de Dieu. 	
<ul style="list-style-type: none"> • les pertes de contenu de la nourriture ou d'autres contenus en raison de la détérioration. • Les dommages accessoires ou consécutifs • Pièces et coûts de main-d'œuvre pour les éléments suivants ne seront pas considérés comme garantie: <ul style="list-style-type: none"> • portes évaporateurs, ressorts de la porte, et / ou des cadres. • panneaux intérieurs de portes, des étagères de porte, rails de porte, et / ou supports de porte. • Les ampoules et / ou boîtier en plastique. • Doublures d'armoires en plastique. • Poncture évaporateur annule la garantie sur le système scellé complet. • Les frais de transport et de manutention associés au remplacement de l'unité. • 	<ul style="list-style-type: none"> • Les réparations effectuées par réparateurs non autorisés. • Les appels de service qui sont liés à des problèmes externes, tels que l'abus, l'alimentation électrique inadéquate, les accidents, les incendies, les inondations, ou tout autre acte de Dieu. • Une panne du produit si elle est utilisée pour autre chose que son intention but. • La garantie ne couvre pas en dehors de la Continental USA. • Surtaxes, y compris mais sans s'y limiter, toute après heure, les appels week-end, ou de services de vacances, les péages, les frais de voyage de convoi ou les frais de kilométrage pour les appels de service dans les régions éloignées.
En aucun cas, Avanti Products toute responsabilité ou responsabilité pour les dommages aux biens environnants, y compris les armoires, les planchers, les plafonds, et d'autres structures et / ou des objets autour du produit. Sont également exclus de cette garantie sont les égratignures, les entailles, les bosses mineures, et d'autres dommages esthétiques sur les surfaces externes et les parties exposées; Produits dont les numéros de série ont été modifiés, effacés ou supprimés; visites de service pour l'éducation à la clientèle, ou des visites où il n'y a rien de mal avec le produit; correction des problèmes d'installation (vous êtes seul responsable de toute structure et réglage pour le produit, y compris tous les systèmes électriques, de plomberie et / ou d'autres installations de raccordement, pour le bon plancher / fondation, et pour toute modification, y compris sans s'y limiter les armoires, les murs, les planchers, les étagères etc., ainsi que la remise à zéro des disjoncteurs ou fusibles.	
HORS DE LA GARANTIE DU PRODUIT	
Avanti Products est soumis à aucune obligation, en droit ou autrement, de vous fournir toutes les concessions, y compris les réparations, les pro-taux, ou le remplacement du produit, une fois la garantie expirée.	
GARANTIE - REFRIGERATION - COMPRESSEUR	

Registration Information

Thank you for purchasing this fine Avanti product. Please fill out this form and return it to the following address within 100 days from the date of purchase and receive these important benefits:

Avanti Products LLC
P.O.Box 520604 – Miami, Florida 33152

Protect your product:

We will keep the model number and date of purchase of your new Avanti product on file to help you refer to this information in the event of an insurance claim such as fire or theft.

Promote better products:

We value your input. Your responses will help us develop products designed to best meet your future needs.

------(detach here)-----

Avanti Registration Card

Name	Model #	Serial #
Address	Date Purchased	Store / Dealer Name
City State Zip	E-mail Address	
Area Code Phone Number	Occupation	
Did You Purchase An Additional Warranty	As your Primary Residence, Do You:	
<input type="checkbox"/> Extended <input type="checkbox"/> None	<input type="checkbox"/> Own <input type="checkbox"/> Rent	
Reason for Choosing This Avanti Product: Please indicate the most important factors That influenced your decision to purchase this product:	Your Age:	
<input type="checkbox"/> Price <input type="checkbox"/> Product Features <input type="checkbox"/> Avanti Reputation <input type="checkbox"/> Product Quality <input type="checkbox"/> Salesperson Recommendation <input type="checkbox"/> Other: _____ <input type="checkbox"/> Friend / Relative Recommendation <input type="checkbox"/> Warranty <input type="checkbox"/> Other: _____	<input type="checkbox"/> under 18 <input type="checkbox"/> 18-25 <input type="checkbox"/> 26-30 <input type="checkbox"/> 31-35 <input type="checkbox"/> 36-50 <input type="checkbox"/> over 50	
Comments:	<u>Marital Status:</u> <input type="checkbox"/> Married <input type="checkbox"/> Single	
	<u>Is This Product Used In The:</u> <input type="checkbox"/> Home <input type="checkbox"/> Business	
	<u>How Did You Learn About This Product:</u> <input type="checkbox"/> Advertising <input type="checkbox"/> In-Store Demo <input type="checkbox"/> Personal Demo	

IM4520G - 11142017

PRINTED IN CHINA