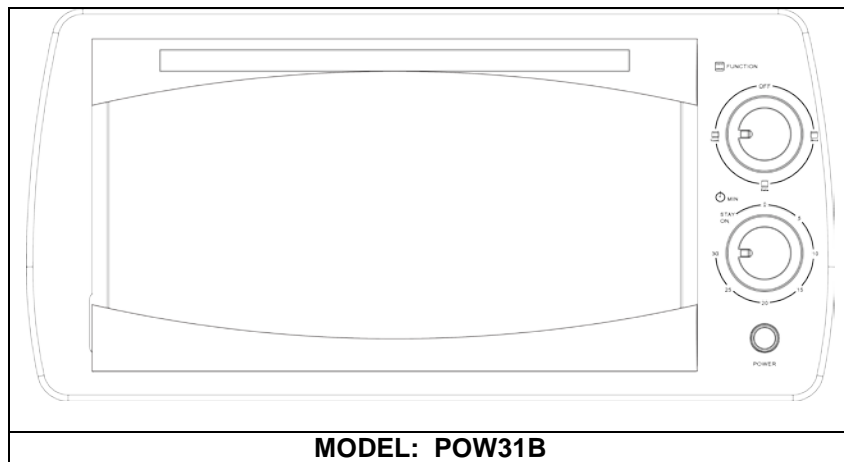




**TOASTER OVEN / BROILER
TOSTADOR-ASADOR / HORNEADOR
FOUR PORTABLE**

**INSTRUCTION MANUAL
MANUAL DE INSTRUCCIONES
MANUEL D'INSTRUCTIONS**

Model Number / No. de Modelo / No. de Modèle:



BEFORE USE, PLEASE READ AND FOLLOW ALL SAFETY RULES AND OPERATING INSTRUCTIONS.

Avanti has a policy of continuous improvement on its products and reserves the right to change materials and specifications without notice.

**Avanti Products LLC
P.O. Box 520604 - Miami, Florida 33152
www.avantiproducts.com**

TABLE OF CONTENTS

Important Safety Instructions	3
Help Us Help You	4
Parts and Features	5
Installation Instructions	6
Before Using Your Appliance	6
Installation of Your Appliance	6
Electrical Connection	6
Operating Your Appliance	7
Control Panel	7
Using Your Oven	8 – 9
Care and Maintenance	10
Cleaning Your Appliance	10
Storing Your Appliance	10
Troubleshooting Guide	11
Service for Your Appliance	11
Your Avanti Products Warranty	12
Instrucciones en Español	13 – 16
Instructions en Français	17 – 28
Registration Information	Last Page

IMPORTANT SAFETY INSTRUCTIONS



To reduce the risk of fire, electrical shock, or injury when using your appliance, follow these basic precautions:

When using electrical appliances, basic safety precautions should always be followed including the following:

READ ALL INSTRUCTIONS, PRODUCT LABELS AND WARNINGS BEFORE USING THE APPLIANCE.

- Do not touch hot surfaces, use handles or knobs. Always use oven mitts when handling hot materials and allow metal parts to cool before cleaning. Allow the unit to cool thoroughly before putting in or taking off parts.
- When the unit is not in use and before cleaning, unplug the appliance from the wall outlet. Make sure the appliance is turned off before unplugging.
- To protect against risk of electrical shock, do not immerse the appliance in water or any other liquids.
- Don't leave children alone or unattended where the appliance is hot or in operation. This appliance is not designed to be used by children.
- Never use your appliance for heating the room. Your oven is not designed to heat your kitchen.
- Do not operate this or any appliance with a frayed or damaged cord or plug, after the appliance malfunctions, is dropped or has been damaged in any manner.
- Do not use attachments not recommended by the manufacturer; they may cause fire, electric shock or personal injury.
- Do not use outdoors or for commercial purposes.
- Do not use this appliance for other than its intended use.
- Do not let the cord dangle over the edge of a tabletop, countertop or to touch hot surfaces.
- Do not place the appliance near a hot gas, electric burner or in a heated oven.
- Extreme caution should be used when using containers constructed of other than metal or glass.
- A fire may occur if the appliance is covered or touching flammable materials, including curtains, draperies, walls, etc., when in operation. Do not store any items on top of the appliance when in operation.
- Do not store any materials, other than manufacturer's recommended accessories in this unit when not in use.
- Do not place any flammable materials in the appliance, such as paper, cardboard, plastic or any materials that may catch fire or melt.
- Never clean the appliance with flammable liquids. The fumes can create a fire hazard or explosion.
- Do not cover the appliance with metal foil. This will cause overheating of the appliance.
- Oversized foods or metal utensils must not be inserted in the appliance as they may create a fire or risk of electrical shock.
- Do not clean with metal scouring pads. Pieces can break off the pad and touch electrical parts involving a risk of electrical shock.
- When broiling, use extreme caution when removing tray or disposing of hot grease.
- To turn this appliance off, return all controls to the "0" / "OFF" position, then remove the plug from wall outlet.
- Cooked food can be very hot, especially pastry filling. Handle with care.
- Never pick up a flaming pan. Turn the controls off. Smother a flaming pan on a surface unit by covering the pan completely with a well-fitting lid.
- Do not use water on grease fires. Flaming grease outside a pan can be put out by covering it with baking soda, multipurpose dry chemical, or fire extinguisher. Flame in the oven can be smothered completely by closing the oven door and turning the oven off or by using baking soda, multipurpose dry chemical, or fire extinguisher.

This Unit Is For Household Use Only

- SAVE THESE INSTRUCTIONS -

HELP US HELP YOU...

Read this guide carefully.

It is intended to help you operate and maintain your new appliance properly.

Keep it handy to answer your questions. If you don't understand something or you need more assistance, please call:

Avanti Customer Service
800-220-5570

Keep proof of original purchase date (such as your sales slip) with this guide to establish the warranty period.

Write down the model and serial numbers.

You'll find them on a label located on the back side of the unit.

Please write these numbers here:

Date of Purchase

Model Number

Serial Number

Use these numbers in any correspondence or service calls concerning your appliance.

If you received a damaged appliance, immediately contact the dealer (or builder) that sold you the appliance.

Save time and money. Before you call for service, check the Problem Solver Guide. It lists causes of minor operating problems that you can correct yourself.

IF YOU NEED SERVICE

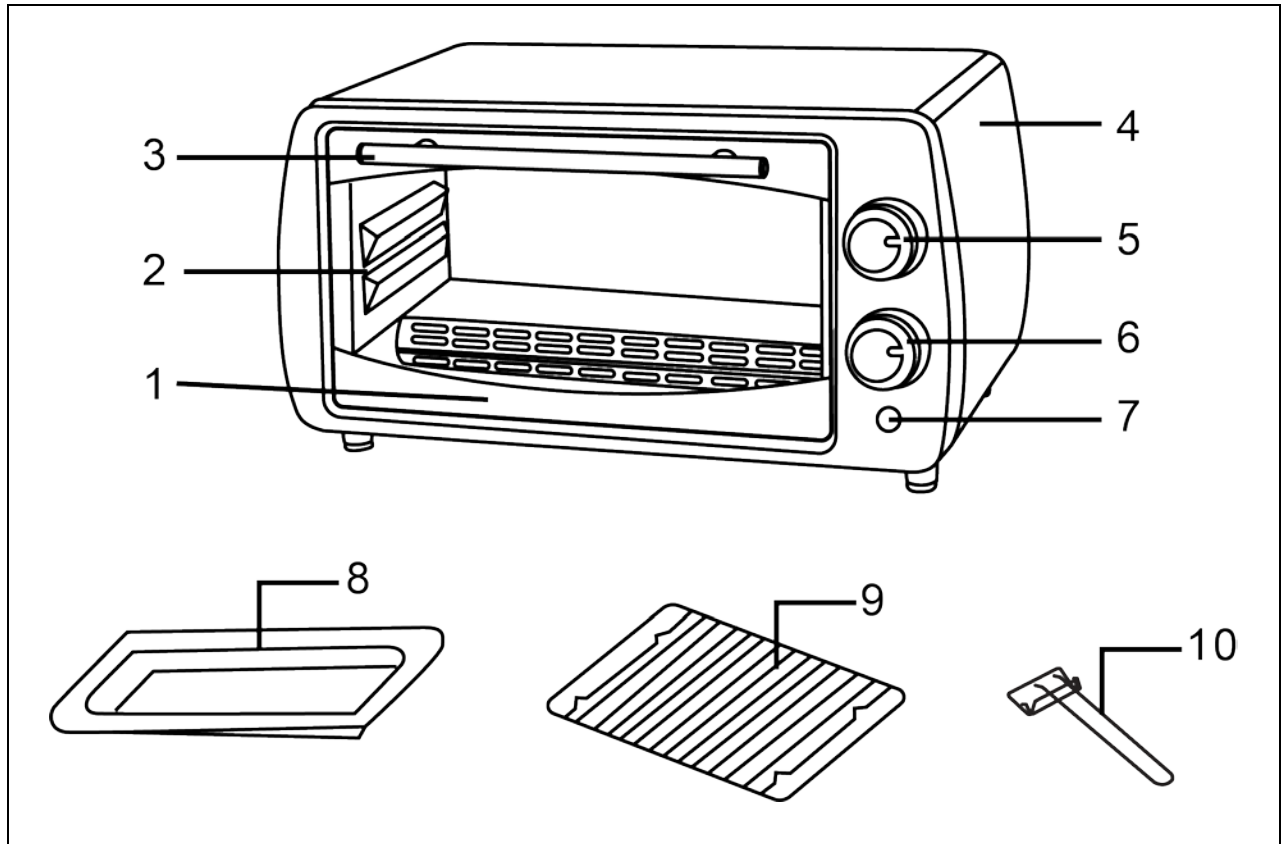
We're proud of our service and want you to be pleased. If for some reason, you are not happy with the service you receive, here are some steps to follow for further assistance.

FIRST, contact the people who serviced your appliance. Explain why you are not pleased. In most cases, this will solve the problem.

NEXT, if you are still not pleased, write all the details, including your telephone number, and send it to:

Customer Service
Avanti Products
10880 NW 30 Street
Miami, FL 33172 USA

PARTS AND FEATURES



1	Oven Door	6	Timer Control Knob
2	Oven Rack Levels	7	Power Indicator Light
3	Oven Door Handle	8	Baking / Drip Tray
4	Cabinet	9	Oven Rack
5	Function Selector Knob	10	Tray Removal Tool

INSTALLATION INSTRUCTIONS

➤ **Before Using Your Appliance**

- Remove the exterior and interior packing.
- Check to be sure you have all the following parts:
 - 1 Bake/Broil/Drip Pan
 - 1 Oven Rack
 - 1 Crumb Tray (NOT removable)
 - 1 Instruction Manual
 - 1 Bake/Broil/Drip Pan Removal Tool
- Remove all the items inside your oven and clean the interior surface with lukewarm water using a soft cloth.
- Do not attempt to repair or replace any part of your oven unless it is specially recommended in this manual.
- This appliance requires 1200W and should be the only appliance operating on the circuit.

NOTICE

BEFORE YOU USE THIS OVEN FOR THE FIRST TIME: THE HEATING ELEMENTS HAVE A PROTECTIVE COATING, WHICH MUST BE BURNED OFF BEFORE USE. TO DO THIS, OPEN THE OVEN DOOR AND SET THE FUNCTION SELECTOR TO TOAST. LEAVE THE APPLIANCE SWITCHED ON FOR APPROXIMATELY 15 MINUTES. IT IS IMPORTANT TO ENSURE ADEQUATE VENTILATION DURING PERIOD AS A BURNING SMELL IS NORMAL DURING THIS PROCESS.

Installation of Your Appliance

Select a location for the appliance. The location should be in an open area on a flat counter where the plug will reach an outlet.

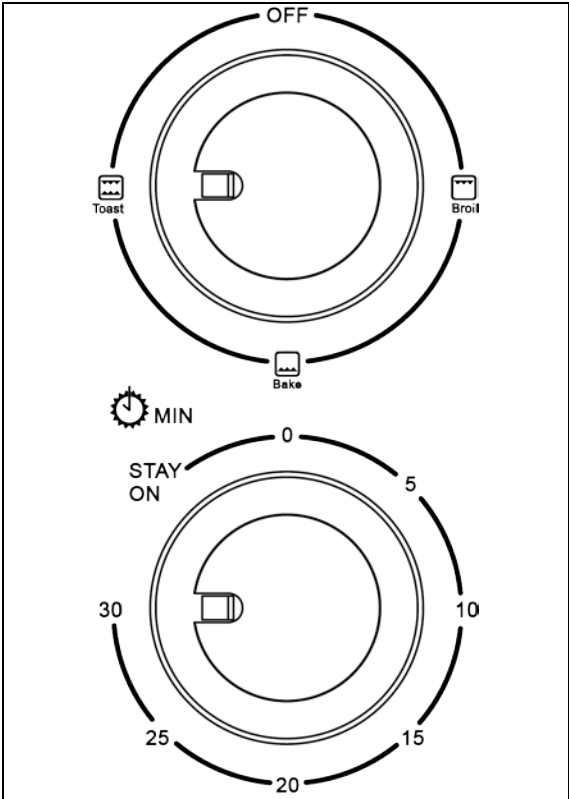
- When positioning the appliance, it should be set on a flat, steady surface.
- Do not block air vents. If they are blocked during operation, the oven may overheat and eventually cause the appliance failure.
- Keep the appliance away from hot air, steam or splashing liquids when choosing a place to locate it, otherwise, the unit's operation may be adversely affected, causing it to break down.
- Direct sunlight may affect the acrylic coating and heat sources may increase electrical consumption.
- Plug the appliance into an exclusive properly installed grounded wall outlet. Any questions concerning power should be directed toward a certified electrician or an authorized Avanti Products service center.
- Do not place anything on the top of the broiler oven and automatic toaster.
- Keep the appliance at least 5 inches away from rear wall to ensure the proper ventilation.

➤ **Electrical Connection**

- The appliance has a polarized plug (One blade is wider than the other), to reduce the risk of electric shock, this plug is intended to fit into the polarized outlet only one way. If the plug does not fit fully into the outlet, reserve the plug. If it still does not fit, contact a qualified electrician. Do not attempt to modify the plug in any way.
- A short power cord is provided to reduce the hazards resulting from entanglement or tripping over a longer cord. An extension cord may be used with care, however, be sure the marked electrical rating is at least as great as the rating of this appliance. The extension cord should be positioned such that it does not drape over the counter or tabletop where it can be pulled on by children or tripped over. The electrical rating of this appliance is listed on the bottom panel of the appliance.

OPERATING YOUR APPLIANCE

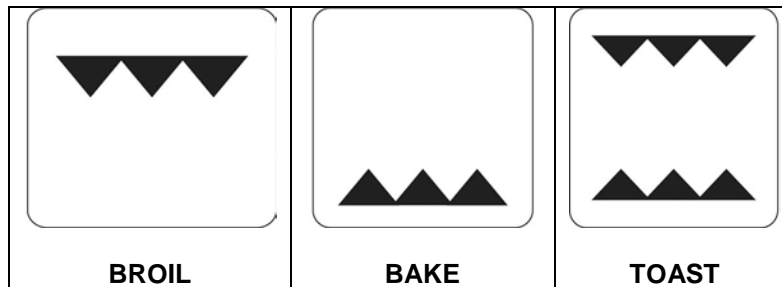
➤ Control Panel



FUNCTION SELECTOR KNOB

Select the appropriate function for your use.

There are three (3) functions:



TIMER SELECTOR KNOB

You can set cooking time up to 30 minutes. It will automatically turn the oven **OFF** at the end of the cooking time selected with the sound of a bell signal.

To switch off the oven turn the timer selector to the “0” setting position.

For cooking times greater than 30 minutes you can use the “STAY ON” position, the oven will operate in the selected function until you turn the TIMER selector knob to the “0” position.

POWER INDICATOR LIGHT

The indicator will come **ON** when the oven is in use.

➤ Using Your Oven

Be sure that the function selector knob is in the “OFF” position and the timer control knob is in the “0” position before plugging the cord into the outlet for use and when unplugging the appliance after use.

Preheating the Oven

Turn the function selector control knob to the desired function either BAKE or BROIL.

Turn the timer selector knob to the “5 minutes marking” for the oven to preheat.

To Use the BAKE Function

Turn the function selector knob to the BAKE position.

Turn the timer knob to the desired cooking time (max 30 minutes). At the end of the cooking time a bell signal sounds and the oven will turn **OFF** automatically

For cooking times greater than 30 minutes, you can turn the timer control knob counter-clockwise to the "STAY ON" position. When using the "STAY ON" position, the oven will continue to operate in the selected function until the timer control knob is turned clock-wise to the "OFF" position.

Only the bottom heating element will cycle **ON** and **OFF** to maintain the appropriate temperature.

Arrange food on the wire rack or in the Bake/Broil/Drip pan.

When BAKING is completed, open door fully and remove food carefully.

To Use the BROIL Function

Arrange food on broiler pan. Place broiler pan on oven rack.

Turn the function selector to the BROIL setting.

Turn the timer knob to the desired cooking time (max 30 minutes). At the end of the cooking time a bell signal sounds and the oven will turn **OFF** automatically.

For cooking times greater than 30 minutes, you can turn the timer control knob counter-clockwise to the "STAY ON" position. When using the "STAY ON" position, the oven will continue to operate in the selected function until the timer control knob is turned clockwise to the "OFF" position.

Only the top heater elements will operate. For best results the oven should be preheated 20 minutes before adding the food to be broiled.

Turn food over about halfway through the broiling time.

When BROILING is completed, open door fully and remove food carefully,

To Use the TOAST Function

No preheat period is required before toasting.

Place the bread to be toasted directly on the rack in the center of the oven, close the door.

Turn the function selector to the TOAST setting, then turn timer selector knob to your selected cooking time (max 30 minutes). At the end of the cooking time a bell signal sounds and the oven will turn off automatically. Both the top and bottom elements will operate when TOAST function is used.

Both the upper and bottom heating elements will cycle **ON** and **OFF** to maintain the appropriate temperature.

When toasting is completed, open door fully and remove food carefully.

Different types of bread require different toasting times. Lighter breads and waffles require a shorter toasting time. Darker breads, muffins, and English muffins require a longer toasting time.

CARE AND MAINTENANCE

➤ **Cleaning Your Appliance**

Before cleaning your appliance, unplug it and allow it to cool.

Use a damp cloth to wash the inside with warm water and a mild detergent.

Do not Immerse in Water!

Abrasive cleaners, scrubbing brushes and chemical cleaners may damage the continuous clean coating on this unit.

Wash the crumb tray, wire rack, drip/baking pan and metal handling tool with a mild detergent solution.

The glass oven door should be cleaned regularly with a non-abrasive liquid cleaner.

Rinse with a damp cloth and then a dry one.

The outside of the appliance should be cleaned with mild detergent and warm water.

CAUTION

Failure to unplug the appliance could result in electrical shock or personal injury.

➤ **Storing Your Appliance**

Allow the appliance to cool completely before storing. If storing the appliance for long periods of time make certain that the appliance is clean and free of food particles. Store the appliance in a dry location such as on a table or countertop or in a cupboard shelf. Other than the recommended cleaning, no further user maintenance should be necessary.

PROBLEMS WITH YOUR APPLIANCE?

You can solve many common appliance problems easily, saving you the cost of a possible service call. Try the suggestions below to see if you can solve the problem before calling the servicer.

TROUBLESHOOTING GUIDE

PROBLEMS	POSSIBLE CAUSES/SOLUTIONS
<ul style="list-style-type: none"> Appliance does not operate. 	<ul style="list-style-type: none"> Unit not plugged in. Plug the unit into a 120V AC electrical outlet. The circuit breaker tripped or a blown fuse. Be sure that function and timer selectors are set.
<ul style="list-style-type: none"> Only one heating element is heating up. 	<ul style="list-style-type: none"> Function setting selection determines which heating element will operate. When toasting, make sure the oven is not set to BROIL or BAKE setting.
<ul style="list-style-type: none"> Heating elements are not heating up. 	<ul style="list-style-type: none"> Heating elements will cycle ON and OFF to maintain proper heat. Make sure function selector is positioned to the desired cooking setting.
<ul style="list-style-type: none"> Overcooked/undercooked Foods 	<ul style="list-style-type: none"> Rack placement. Rack may need to be adjusted to accommodate different foods.
<ul style="list-style-type: none"> Burnt Smell 	<ul style="list-style-type: none"> Food build-up inside appliance, on heating elements or in drip/baking pan. Refer to "Cleaning Your Appliance"

SERVICE FOR YOUR APPLIANCE

We are proud of our customer service organization and the network of professional service technicians that provide service on your Avanti appliances. With the purchase of your Avanti appliance, you can be confident that if you ever need additional information or assistance, the Avanti Products Customer Service team will be here for you. Just call us toll-free.

AVANTI PRODUCTS CUSTOMER SERVICES

Product Information 800-323-5029	Whatever your questions are about our products, help is available.
Part Orders 800-220-5570	You may order parts and accessories that will be delivered directly to your home by personal check, money order, Master Card, or Visa.
Repair Service 800-220-5570	An Avanti Products authorized service center will provide expert repair service, scheduled at a time that is convenient for you. Our trained servicers know your appliance inside and out.

YOUR AVANTI WARRANTY

LENGTH OF WARRANTY	WE WILL PAY FOR
FULL ONE YEAR WARRANTY FROM DATE OF PURCHASE ON ALL PARTS EXCEPT GLASS PARTS, AND/OR PARTS DAMAGED AS A RESULT OF MISUSE OR LACK OF REASONABLE CARE.	REPLACEMENT PARTS AND REPAIR LABOR TO CORRECT DEFECTS IN MATERIALS OR WORKMANSHIP. SERVICE MUST BE PROVIDED BY AN AUTHORIZED SERVICE COMPANY.
FULL 30-DAY WARRANTY FROM DATE OF PURCHASE ON GLASS PARTS AND FINISH OF PORCELAIN ENAMEL, PAINTED OR BRIGHT METAL FINISHED PARTS	REPLACEMENT PARTS AND REPAIR LABOR TO CORRECT DEFECTS IN MATERIAL OR WORKMANSHIP. SERVICE MUST BE PROVIDED BY AN AUTHORIZED SERVICE COMPANY.

CARRY IN SERVICE ONLY.

CUSTOMER WILL BE RESPONSIBLE FOR ALL TRANSPORTATION CHARGES TO AND FROM THE AUTHORIZED SERVICE COMPANY, ALSO MAKE SURE TO SEND A COPY OF PROOF OF PURCHASE WHEN SENDING THE UNIT FOR SERVICE REPAIRS.

AVANTI PRODUCTS SHALL NOT BE LIABLE FOR INCIDENTAL OR CONSEQUENTIAL DAMAGES.

Some states do not allow the exclusion or limitation of incidental or consequential damages, so this exclusion or limitation may not apply to you. This warranty gives you specific legal rights, and you may also have other rights that vary from state to state.

This warranty is not valid outside the Continental United States.

INSTRUCCIONES EN ESPAÑOL

PRECAUCIONES IMPORTANTES	PARA REDUCIR EL RIESGO DE INCENDIO, DESCARGA ELECTRICA, O DAÑO CUANDO ESTE USANDO SU HORNO SIGA ESTAS INDICACIONES.
<p>CUANDO USE APARATOS ELECTRICOS, SIEMPRE DEBEN TOMARSE ALGUNAS PRECAUCIONES BASICAS DE SEGURIDAD, INCLUYENDO LAS SIGUIENTES:</p> <ul style="list-style-type: none">• Lea todas las instrucciones, las etiquetas en el producto y las advertencias, antes de usar el horno tostador.• No recomendamos el uso extensiones de cordón eléctrico para operar esta unidad.• No toque las superficies calientes. Siempre use guantes cuando maneje materiales calientes y permita que las partes metálicas se enfríen antes de limpiar. Permita que la unidad se enfríe completamente antes de poner o quitar partes.• Desconecte el horno tostador de la toma de corriente cuando la unidad no esté en uso y antes de limpiarla. Nota: Verifique que el horno tostador esté apagado antes de desconectarlo.• Para protegerse contra una descarga eléctrica, no sumerja el aparato en agua o en otros líquidos.• Supervisión continua es necesaria cuando este o cualquier otro aparato sea usado cerca de niños. Este aparato no debe ser usado por niños.• No opere este ni ningún otro aparato con un cordón dañado o quemado o después de que el aparato ha funcionado inadecuadamente o ha sido dañado en cualquier forma.• No utilice accesorios o aditamentos no recomendados por el fabricante, ya que pueden causar incendios, descargas eléctricas o lesiones personales.• No se use en exteriores o con propósitos comerciales.• No use este aparato más que para lo que ha sido diseñado.• No permita que el cordón cuelgue sobre la orilla de la mesa o del mostrador o toque superficies calientes.• No lo coloque sobre o cerca de quemadores de estufas de gas o eléctricas, tampoco dentro de un horno caliente.• Tenga extremo cuidado cuando use recipientes de vidrio o metal.• Puede ocurrir un incendio si el horno tostador está en operación y en contacto o cubierto con materiales inflamables, incluyendo cortinas, tapicería, paredes, etc. No coloque ningún objeto sobre el aparato cuando esté en operación.• Cuando esta unidad no esté en operación, no almacene ningún material que no sea un accesorio recomendado por el fabricante.• No coloque dentro del horno ningún material inflamable como papel, cartón, plástico o cualquier material que se pueda incendiar o derretir.• No cubra la bandeja para migajas o ninguna parte del horno con papel aluminio o metálico. Esto puede causar el sobrecalentamiento del aparato.• Los alimentos grandes o utensilios metálicos no deben ser introducidos en el horno tostador ya que pueden causar incendios o descargas eléctricas.• No limpie con esponjas o fibras metálicas. Se pueden desprender piezas de la esponja o fibra y tocar partes eléctricas creando el riesgo de descargas eléctricas.• Cuando prepare alimentos, tenga cuidado extremo al remover la bandeja o al desechar la grasa caliente.• Para apagar este aparato, coloque todos los controles en las posiciones "0" o "OFF". <p style="text-align: center;">-Esta Unidad Es Sólo Para Uso Doméstico-</p> <p>Para reducir los riesgos de descarga eléctrica, este equipo posee una instalación polarizada, lo cual requiere que la persona que instale esta unidad la conecte apropiadamente a tierra sin invertir la posición de los cables.</p>	

PREPARANDO SU HORNO TOSTADOR

Si usted está usando su horno tostador por primera vez, por favor asegúrese de:

Quitar todas las etiquetas de la superficie de su tostador.

Abra la puerta del tostador y saque los documentos impresos y papeles del interior del horno tostador.

Limpie la rejilla, charola y bandeja con agua caliente y una pequeña cantidad de detergente líquido para lavar platos, utilice una esponja suave y no abrasiva. No sumerja el horno tostador en el agua.

Seque completamente la unidad antes de utilizarla.

AVISO

ANTES DE USAR LA UNIDAD POR PRIMERA VEZ. LOS ELEMENTOS CALENTADORES TIENEN UNA CAPA PROTECTIVA QUE NECESITA SER QUEMADA ANTES DE USAR EL HORNO.

PARA QUITAR LA CAPA PROTECTORA:

ABRA LA PUERTA.

GIRE LA PERILLA DE CONTROL DE TIEMPO A 15 MINUTOS.

USTED SENTIRA UN OLOR A QUEMADO, ESTO ES NORMAL.

ASEGURESE TENER VENTILACION ADECUADA MIENTRAS HAGA ESTE PROCESO.

Seleccione un lugar para colocar el horno tostador. El lugar debe ser un área abierta sobre un mostrador con superficie plana donde el enchufe tenga alcance a una toma de corriente.

Enchufe el cable en un tomacorriente de 120 voltios / 60 ciclos.

PREVIO CALENTAMIENTO DEL HORNO

Coloque la parrilla en la posición deseada antes de calentar el horno tostador.

Gire la perilla selectora en la función deseada.

Gire la perilla del reloj a la posición que aproxima 5 MINUTOS.

PARA USAR LA FUNCION DE ASADO (BROIL)

Seleccione la posición deseada de la parrilla. Coloque los alimentos y cierre la puerta colocándola en la primera parada, dejando aproximadamente un espacio de 2 pulgadas en la parte superior. Esto asegurará que el aire fluya de manera adecuada durante este proceso.

Gire la perilla selectora de función en la posición de asar o "BROIL". Gire la perilla del reloj hacia el tiempo deseado. Solamente el elemento calentador de la parte superior estará en funcionamiento.

Coloque la parrilla para asar, encima de la bandeja para hornear. Luego coloque los alimentos. Sobre la parrilla para asar.

El reloj puede seleccionarse para que esté operando hasta por 30 minutos. Al final del ciclo de cocción, emitirá una señal auditiva y el horno se apagará automáticamente. Si la cocción requiere más tiempo repita el ciclo.

Es recomendable siempre voltear los aumentos a la mitad del ciclo de cocción.

Cuando se haya completado la cocción, abra la puerta completamente y saque los alimentos cuidadosamente.

PARA USAR LA FUNCION DE HORNEADO (BAKE)

Seleccione la posición deseada de la parrilla (consulte la sección de colocación de la parrilla). Gire la perilla selectora de función en la posición de hornear o "BAKE". Ambos elementos calentadores, el superior y el inferior estarán en funcionamiento.

Coloque los alimentos en la parrilla metálica o dentro de la bandeja para hornear.

El reloj puede seleccionarse para que esté operando hasta por 30 minutos. Al final del ciclo de cocción, emitirá una señal auditiva y el horno se apagará automáticamente, usted puede repetir el ciclo de tiempo si fuera necesario.

Cuando se haya completado el horneado, abra la puerta completamente y saque los alimentos. Cuando esté descongelando alimentos, no caliente el horno previamente..

Permita que cada lado de las carnes o pescados se descongele de 15 a 20 minutos. Siempre cocine los alimentos inmediatamente después de descongelar.

PARA USAR LA FUNCION DE TOSTAR (TOAST)

NOTA – No es necesario un período de calentamiento previo antes de tostar.

Diferentes tipos de pan requieren diferentes niveles de tostado. Los panes más ligeros y waffles requieren tostado más ligero. Los panes más oscuros, panqués y muffins o panecillos ingleses requieren un tostado más oscuro.

Seleccione la posición deseada de la parrilla.

Gire la perilla selectora de función en la posición de tostar o "TOAST". Gire la perilla del reloj al tiempo deseado. Ambos elementos calentadores superior y el inferior estarán en funcionamiento.

Coloque los alimentos en la parrilla metálica.

NOTA – Los elementos calentadores superiores e inferiores se encenderán y apagarán alternadamente para mantener una temperatura moderada.

Cuando se haya completado el tostado, abra la puerta completamente y saque los alimentos.

LIMPIEZA DE SU HORNO TOSTADOR

Antes de limpiar su Horno Tostador, desconéctelo y permita que se enfríe. Limpie con un paño suave y húmedo. ¡No lo sumerja en agua! Asegúrese de usar solamente jabón suave y agua. Los limpiadores abrasivos, cepillos y limpiadores químicos pueden dañar el acabado de esta unidad. Vacíe la bandeja para migas frecuentemente para evitar la acumulación de residuos.

ALMACENANDO O GUARDANDO SU HORNO TOSTADOR

Deje que el aparato se enfríe completamente antes de almacenarlo. Si va a almacenar el horno tostador por períodos prolongados, asegúrese de que no contenga partículas o residuos de alimentos. Almacene el horno tostador en un lugar seco como encima de una mesa, mostrador, o sobre una repisa. Enrolle el cordón eléctrico. No es necesario otro tipo de mantenimiento que no sea la limpieza recomendada en este manual.

PROBLEMAS	POSIBLES CAUSAS/SOLUCIONES
Cocción excesiva o insuficiente de los alimentos.	Temperatura o tiempo incorrectos. <ul style="list-style-type: none">• Usted debe asegurarse que la perilla de función esté posicionado a la función deseada.• Debido a que su horno tostador es más pequeño que los hornos regulares este se calentará más pronto y generalmente cocinará en períodos de tiempo más cortos.
Olor a quemado.	<ul style="list-style-type: none">• Si el olor se ocurre en cuando Ud. usa el horno por primera vez, esto es normal (Consulte la sección "Preparando su horno tostador" Acumulación de residuos de alimentos en el interior del horno, en los elementos calentadores o en la parrilla para migas. <ul style="list-style-type: none">• Consulte la Sección "Limpieza de Su Horno Tostador"
El horno no inicia su operación	La unidad está desconectada. <ul style="list-style-type: none">• Enchufe el horno tostador en una toma de corriente eléctrica 120V / 60Hz.• Coloque la perilla de función en la posición deseada. Todos los demás controles deberán estar encendidos.
Solamente un elemento calentador se calienta.	La selección de la función determina cual elemento calentador operará. <ul style="list-style-type: none">• Cuando tueste alimentos, asegúrese de que el horno no se encuentre en la función de asado.
El elemento calentador no se mantiene encendido.	Los elementos calentadores se encenderán y se apagarán para mantener la temperatura adecuada. <ul style="list-style-type: none">• Asegúrese de que la función seleccionada es la función que desea utilizar.

TABLE DES MATIÈRES

Consignes de sécurité importantes	18
Aidez-nous à vous aider	19
Pièces et caractéristiques	20
Instructions d'installation	21
Avant d'utiliser votre appareil	21
Installation de votre appareil	21
Raccordement électrique	21
Fonctionnement de votre Appliance	22
Panneau de configuration	22
Utilisation du four	23 – 24
Entretien et maintenance	25
Nettoyage de votre appareil	25
Rangement de votre Appliance	25
Guide de dépannage	26
Service de votre appareil	27
Avanti Votre Garantie Produits	28

CONSIGNES DE SÉCURITÉ IMPORTANTES

⚡ AVERTISSEMENT ⚡

Pour réduire le risque d'incendie, de choc électrique ou de blessures lors d'utiliser votre appareil, suivez ces précautions de base:

Lorsque vous utilisez des appareils électriques, des précautions de base doivent toujours être respectées, notamment les suivantes:

LIRE TOUTES LES INSTRUCTIONS, étiquettes des produits et AVERTISSEMENTS AVANT L'UTILISATION.

- Ne pas toucher les surfaces chaudes, utiliser les poignées ou les boutons. Toujours utiliser des mitaines de four Lors de la manipulation des matériaux chauds et permettent de pièces métalliques pour refroidir avant de le nettoyer. Laissez l'appareil se refroidir complètement avant de mettre ou d'enlever des pièces.
- Lorsque l'unité n'est pas utilisée et avant le nettoyage, débranchez l'appareil de la prise murale. Assurez-vous que l'appareil est éteint avant de débrancher.
- Pour protéger contre le risque de choc électrique, ne pas immerger l'appareil dans l'eau ou d'autres liquides.
- Ne pas laisser les enfants seuls ou sans surveillance lorsque l'appareil est chaud ou en fonctionnement. Cet appareil n'a pas été conçu pour être utilisé par des enfants.
- Ne jamais utiliser votre appareil pour chauffer la pièce. Votre four n'est pas conçu pour chauffer votre cuisine.
- Ne pas faire fonctionner esta ou tout autre appareil avec un cordon ou une prise effiloché ou endommagé, après un mauvais fonctionnement de l'appareil, est tombé ou a-été endommagé de quelque manière.
- Ne pas utiliser d'accessoires non recommandés par le fabricant; Ils peuvent provoquer un incendie, un choc électrique ou des blessures du personnel.
- Ne pas utiliser à l'extérieur ou à des fins commerciales.
- Ne pas utiliser cet appareil pour autre chose que son utilisation prévue.
- Ne laissez pas pendre le cordon sur le bord d'une table, comptoir ou toucher des surfaces chaudes.
- Ne pas placer l'appareil près d'un gaz chaud, le brûleur électrique ou dans un four chauffé.
- Une extrême prudence doit être utilisé lorsque l'aide de conteneurs construits d'autre que du métal ou de verre.
- Un incendie peut se produire si l'appareil est couvert ou matériaux inflammables touchantes, des friandises y compris rideaux, tentures, murs, etc. En fonctionnement. Ne pas stocker tous les articles sur le dessus de l'appareil en fonctionnement.
- Ne pas stocker de matériaux autres que recommandées accessoires du fabricant de cette unité lorsque pas en usage.
- Ne placez pas de matériaux inflammables dans l'appareil, tels que le papier, le carton, le plastique ou des matériaux qui peuvent prendre feu ou fondre.
- Ne jamais nettoyer l'appareil avec des liquides inflammables. Les émanations peuvent provoquer un risque d'incendie ou d'explosion.
- Ne pas couvrir l'appareil avec une feuille de métal. Ceci provoquera une surchauffe de l'appareil.
- Aliments surdimensionnés ou des ustensiles métalliques ne doivent pas être insérés dans l'appareil, car ils peuvent créer un risque d'incendie ou de choc électrique.
- Ne pas nettoyer avec des tampons à récurer en métal. Les pièces peuvent se détacher du tampon et toucher les pièces électriques comportant un risque de choc électrique.
- Lorsque la cuisson au gril, utiliser une extrême prudence Lors du retrait de plateau ou l'élimination de la graisse chaude.
- Pour activer cet appareil, retourner tous les contrôles à la "0 " / Position «OFF», puis retirer la fiche de la prise murale.
- Les aliments cuits peuvent être très chaud, surtout remplissage pâtisserie. Manipuler avec précaution.
- Ne jamais ramasser un ustensile de cuisine enflammé. Désactive les contrôles. Éteuffer un ustensile de cuisine enflammé sur une unité de surface en couvrant complètement la casserole avec un couvercle bien ajusté.
- Ne pas utiliser d'eau sur les feux de graisse. Flaming graisse en dehors d'un poêle peut être éteint par le couvrant avec du bicarbonate de soude, produit chimique sec polyvalente, ou extincteur. Flamme dans le four peut être étouffé complètement par la fermeture de la porte du four et éteint le four ou en utilisant le bicarbonate de soude, produit chimique sec polyvalente, ou extincteur.

Cette unité est à usage domestique uniquement

- Conservez ces instructions -

AIDEZ-NOUS VOUS AIDER ...

Lisez attentivement ce guide.

Il est destiné à vous aider à exploiter et entretenir votre nouvel appareil correctement.

Gardez à portée de main pour répondre à vos questions.

Si vous ne comprenez pas quelque chose où vous avez besoin de plus d'aide, S'il vous plaît appelez:

Avanti Service à la clientèle
800-220-5570

Conserver une preuve de gestionnaire de la date d'achat originale (comme votre ticket de caisse) avec ce guide pour établir la période de garantie.

Notez le modèle et les numéros de série.

Vous les trouverez sur une étiquette située sur la face arrière de l'appareil.

Ces chiffres s'il vous plaît écrire ici:

Date d'achat

Numéro de modèle

Numéro de série

Utiliser ces numéros dans toute correspondance ou services appels concernant votre appareil.

Si vous avez reçu un appareil endommagé, contactez immédiatement le revendeur (ou le constructeur) qui vous a vendu l'appareil.

Gagnez du temps et de l'argent. Avant d'appeler le service, consultez le Guide Solver problème. Il répertorie les causes des problèmes de fonctionnement mineurs que vous 'pouvez-vous corriger.

SI VOUS AVEZ BESOIN DE SERVICE

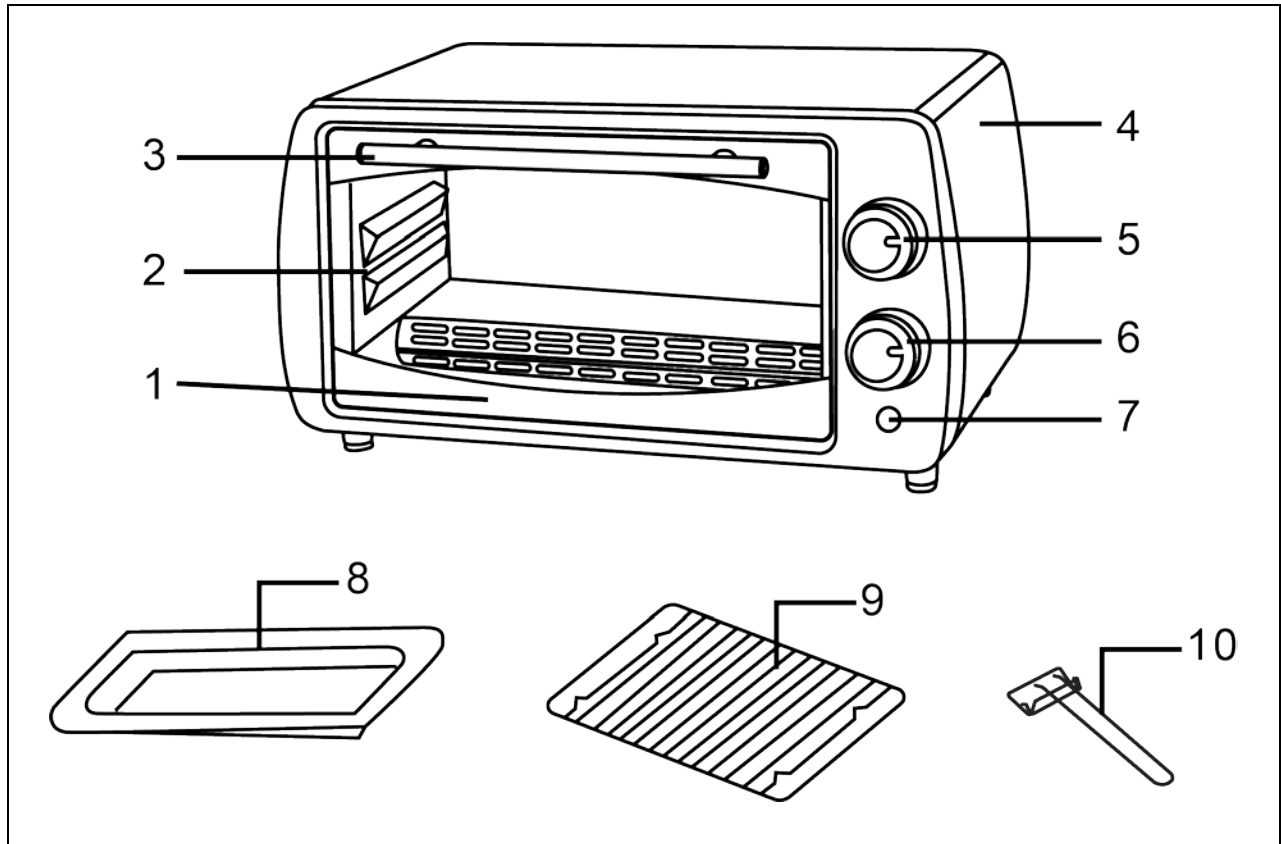
Nous sommes fiers de notre service et voulons que vous soyez heureux. Si pour quelque raison vous n'êtes pas heureux avec le service que vous recevez, voici quelques étapes à suivre pour plus d'assistance.

PREMIER, communiquez avec les gens qui ont réparé votre appareil. Expliquez pourquoi vous n'êtes pas satisfait. Dans la plupart des cas, cela va résoudre le problème.

Ensuite, si vous n'êtes toujours pas satisfait, écrire tous les détails, y compris les friandises votre numéro de téléphone, et l'envoyer à:

Service à la clientèle
Avanti Produits
10880 NW 30 Street
Miami,FL 33172 USA

PIÈCES ET CARACTÉRISTIQUES



1	Porte de four	6	Minuterie
2	Niveaux du rack du four	7	Voyant
3	Poignée	8	Bac de four
4	Cabinet	9	Grille
5	Sélecteur de fonction	10	Outil de suppression

LES INSTRUCTIONS D'INSTALLATION

➤ Avant d'utiliser votre appareil

- Retirez l'emballage extérieur et intérieur.
- Vérifiez que vous disposez de tous les éléments suivants:
 - Cuire 1 / gril / égouttement
 - 1 Four Rack (non amovible)
 - Crumb bac 1 (non amovible)
 - 1 Mode d'emploi
- Retirez tous les éléments à l'intérieur de votre four et nettoyez la surface intérieure à l'eau tiède avec un chiffon doux.
- Ne pas tenter de réparer ou de remplacer une partie de votre four s'il est spécialement recommandé dans le manuel de esta.
- Cet appareil nécessite 1200W et devrait être le seul appareil fonctionnant sur le circuit.

AVIS

AVANT DE VOUS UTILISEZ ESTA FOUR POUR LA PREMIÈRE FOIS: LES ÉLÉMENTS DE CHAUFFAGE ONT UN REVÊTEMENT PROTECTEUR, QUI DOIT ÊTRE BRÛLÉ AVANT UTILISATION. POUR CE FAIRE, OUVRIR LA PORTE DU FOUR ET RÉGLEZ LE BOUTON FONCTION POUR PORTER UN TOAST. LAISSEZ L'APPAREIL ALLUMÉ PENDANT ENVIRON 15 MINUTES. IL EST IMPORTANT D'ASSURER UNE VENTILATION ADÉQUATE PENDANT LA PÉRIODE COMME UNE ODEUR DE BRÛLÉ EST NORMAL PENDANT LE PROCESSUS DE ESTA.

Installation de votre appareil

Sélectionnez un emplacement pour l'appareil. L'emplacement doit être dans une zone ouverte sur un comptoir plat Si la fiche atteindra une prise.

- Lors du positionnement de l'appareil, il doit être réglé sur une surface plane et stable.
- Ne pas bloquer les événements. Si elles sont bloquées pendant le fonctionnement, le four peut éventuellement surchauffer et causer la défaillance de l'appareil.
- Gardez l'appareil loin de l'air chaud, de la vapeur ou de liquides éclaboussures Lors du choix d'un endroit pour le localiser, le cas contraire, le fonctionnement de l'appareil peut être affecté, l'amenant à se décomposer.
- Lumière directe du soleil peut affecter le revêtement acrylique et les sources de chaleur peut augmenter la consommation électrique.
- Branchez l'appareil dans une prise murale exclusive Correctement installé à la terre. Pour toute question concernant le pouvoir doit être orientée vers un électricien certifié ou un centre de service autorisé de produits Avanti.
- Ne rien placer sur le dessus du gril du four et grille-pain automatique.
- Gardez l'appareil au moins 5 pouces de la paroi arrière pour assurer une ventilation adéquate.

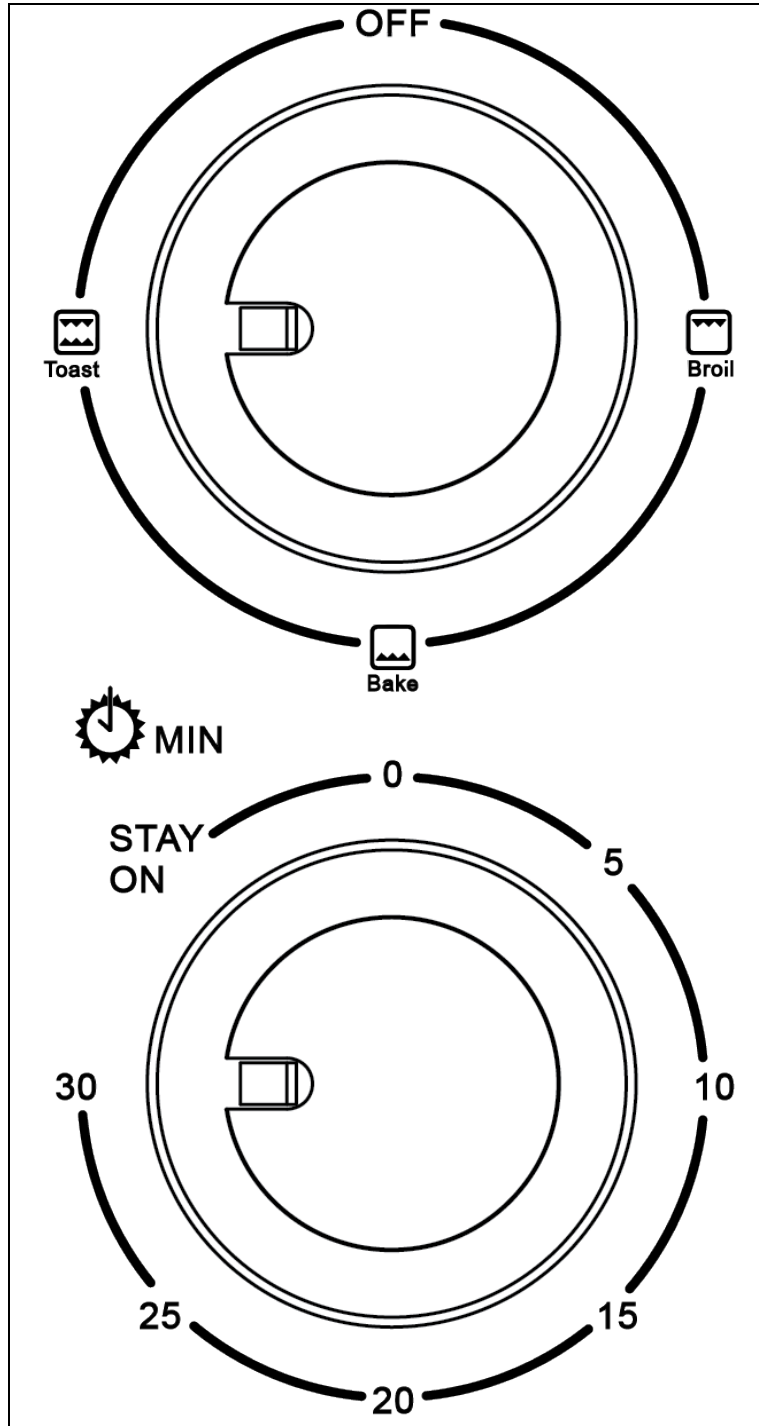
➤ Raccordement électrique

- L'appareil possède une fiche polarisée (une lame est plus large que l'autre), pour réduire le risque de choc électrique, cette fiche est conçue pour tenir dans la prise polarisée d'une seule manière. Si la fiche ne rentre pas complètement dans la prise, réserver le bouchon. Si elle ne rentre toujours pas, contactez un électricien qualifié. Ne pas tenter de modifier la fiche en aucune façon.
- Un cordon d'alimentation court est fourni pour réduire les risques résultant de l'enchevêtrement de trébucher sur un cordon plus long. Une rallonge peut être utilisée avec prudence, cependant, assurez-vous que sa tension est au moins aussi grande que la cote de l'appareil de esta. La rallonge doit être positionné de telle sorte qu'il ne traverse pas sur le comptoir ou la table, où il peut être tiré par des enfants ou faire trébucher. La puissance électrique de l'appareil de esta est cotée sur le

panneau inférieur de l'appareil.

VOTRE APPAREIL DE COMMANDE

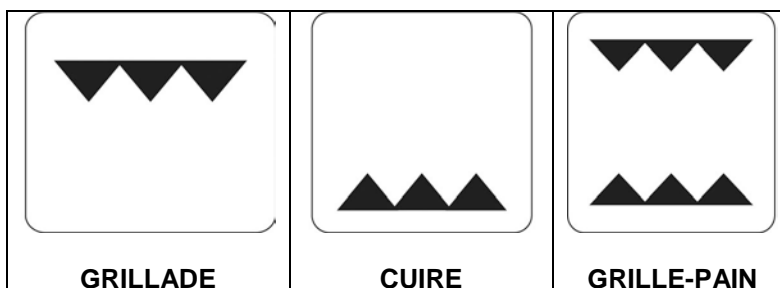
➤ Panneau de configuration



SÉLECTEUR DE FONCTION DU BOUTON

Sélectionnez la fonction appropriée pour votre usage.

Il ya trois (3) fonctions:



TIMER SÉLECTEUR BOUTON

Vous pouvez septembre temps de cuisson jusqu'à 30 minutes. Il se met automatiquement le four **OFF** à la fin du temps de cuisson sélectionné par le bruit d'un signal de sonnerie.

Pour éteindre le four tournez la molette de minuterie à la "OFF" réglage de la position.

Pour un temps de cuisson plus de 30 minutes, vous pouvez utiliser le "STAY ON", le four va fonctionner dans la fonction sélectionnée Jusqu'à ce que vous tourniez la TIMER bouton de sélection à la **"OFF"** Position.

VOYANT D'ALIMENTATION

L'indicateur viendra **ON** Lorsque le four est en service.

➤ Utilisation du four

Ce être sûr que le sélecteur de fonction est en position "OFF" et le bouton de commande de la minuterie est en position "0" avant de brancher le cordon dans la prise pour l'utilisation et le moment de débrancher l'appareil après utilisation.

Le préchauffage du four

Tournez le bouton de sélection de la fonction fonction de contrôle désiré Soit CUIRE ou GRIL.

Tournez le bouton sélecteur de minuterie pour les «5 minutes de marquage» pour le four à préchauffer.

Pour utiliser la fonction CUIRE

Tournez le bouton sélecteur de fonction à la position CUIRE.

Tournez le bouton de la minuterie pour le temps de cuisson désiré (max 30 minutes). A la fin du temps de cuisson un signal de cloche retentit et le four se met en **OFF** automatiquement

Pour un temps de cuisson plus de 30 minutes, vous pouvez tourner le bouton de commande de la minuterie dans le sens antihoraire à la "STAY ON". Lorsque vous utilisez le "STAY ON", le four continue à fonctionner dans la fonction sélectionnée Jusqu'à le bouton de commande de la minuterie est activée aiguilles d'une montre à la position «OFF».

Seul l'élément de chauffage de fond cycle **ON** et **OFF** pour maintenir la appropriée température.

Disposez la nourriture sur la grille ou dans le plat de cuisson / gril / goutte à goutte.

Lorsque la cuisson est terminée, ouvrir la porte complètement et retirer soigneusement les aliments.

Pour utiliser la fonction de GRILLADE

Disposez la nourriture sur la lèche-frite. Placez la lèche-frite sur la grille du four.

Tournez le sélecteur de fonction pour le réglage du gril.

Tournez le bouton de la minuterie pour le temps de cuisson désiré (max 30 minutes). A la fin du temps de cuisson un signal de cloche retentit et le four se met en **OFF** automatiquement.

Pour un temps de cuisson plus de 30 minutes, vous pouvez tourner le bouton de commande de la minuterie dans le sens antihoraire à la "STAY ON". Lorsque vous utilisez le "STAY ON", le four continue à fonctionner dans la fonction sélectionnée Jusqu'à le bouton de commande de la minuterie est tourné vers la droite à la position «OFF».

Seuls les éléments de chauffe supérieure fonctionneront. Pour de meilleurs résultats les four préchauffé de 20 minutes devrait être avant d'ajouter l'aliment à grillé.

A propos Retournez les aliments la moitié du temps de cuisson au gril.

Lorsque le grillage est terminé, ouvrir la porte complètement et retirer soigneusement les aliments,

Pour utiliser la fonction GRILLE-PAIN

Aucune période de préchauffage est nécessaire avant le grillage.

Placez le pain à griller directement sur la grille au centre du four, fermez la porte.

Tournez le sélecteur de fonction pour le réglage de TOAST, tournez le bouton de la minuterie de votre temps de cuisson sélectionné (max 30 minutes). A la fin du temps de cuisson un signal de sons de cloche et le four se met automatiquement hors tension. Tant les éléments supérieurs et inférieurs fonctionneront Lorsque la fonction TOAST est utilisé.

Les deux éléments chauffants supérieur et inférieur cycle **ON** et **OFF** pour maintenir la appropriée température.

Lorsque le grillage est terminé, ouvrir la porte complètement et retirer soigneusement les aliments.

Différents types de pain nécessitent des temps de grillage. Pains et des gaufres légères nécessitent un temps de grillage plus court. Pains sombres, les muffins et muffins Ingles nécessitent un temps plus grillage.

ENTRETIEN ET MAINTENANCE

➤ NETTOYAGE DE VOTRE APPAREIL

Avant de nettoyer votre appareil, débranchez-le et laissez-le refroidir.

Utilisez un chiffon humide pour laver l'intérieur à l'eau tiède et un détergent doux.

Ne pas plonger dans l'eau!

Les nettoyeurs abrasifs, brosses à récurer et les nettoyeurs chimiques peuvent endommager le revêtement propre en continu sur l'unité de esta.

Laver le plateau ramasse-miettes, grille, goutte à goutte / moule métallique et outil de manutention avec une solution de détergent doux.

La vitre de la porte du four doit être régulièrement nettoyé avec un nettoyeur liquide non abrasif.

Rincez avec un chiffon humide, puis un sec à.

L'extérieur de l'appareil doivent être nettoyées avec un détergent doux et de l'eau chaude.

ATTENTION

Ne pas débrancher l'appareil pourrait provoquer un choc électrique ou de blessure.

➤ Rangement de votre Appliance

Laissez l'appareil refroidir complètement avant de le ranger. Si ranger l'appareil pendant de longues périodes de temps Assurez-vous que l'appareil est propre et exempt de particules alimentaires. Rangez l'appareil dans un endroit sec: comme sur une table ou un comptoir ou une étagère de l'armoire. Autre que le nettoyage recommandée, aucun autre entretien de l'utilisateur devrait être nécessaire.

PROBLÈMES AVEC VOTRE APPAREIL?

Vous pouvez résoudre de nombreux problèmes de l'appareil commun facilement, vous épargnant le coût d'un appel de service possible. Essayez les suggestions ci-dessous pour voir si vous pouvez résoudre le problème avant d'appeler le réparateur.

GUIDE DE DÉPANNAGE

PROBLÈMES	CAUSES / SOLUTIONS POSSIBLES
<ul style="list-style-type: none">L'appareil ne fonctionne pas.	<ul style="list-style-type: none">Unité pas branché. Branchez l'appareil dans une prise de courant de 120V AC.Le disjoncteur déclenché ou un fusible grillé.Assurez-vous que la fonction minuterie et sélecteurs sont réglés.
<ul style="list-style-type: none">Un seul élément de chauffage se réchauffe.	<ul style="list-style-type: none">Déterminez quel réglage sélection élément chauffant fonctionnera Fonction.Pour griller, assurez-vous que le four est pas réglé pour cuire ou de grillage.
<ul style="list-style-type: none">Les éléments de chauffage ne sont pas à chauffer.	<ul style="list-style-type: none">Éléments de chauffage de cycle ON et OFF Maintenir propre à chauffer. Assurez-vous que la fonction de sélection est positionné sur le réglage de cuisson désiré.
<ul style="list-style-type: none">Les aliments cuits / insuffisamment cuits	<ul style="list-style-type: none">Placement de rack. Rack peut besoin d'être ajusté pour tenir compte de différents aliments.
<ul style="list-style-type: none">Odeur de brûlé	<ul style="list-style-type: none">Accumulation de nourriture à l'intérieur de l'appareil, sur des éléments de chauffage ou goutte à goutte / la cuisson du pain. Reportez-vous à «Nettoyage de votre appareil»

SERVICE POUR VOTRE APPAREIL

Nous sommes fiers de notre organisation de service à la clientèle et le réseau de techniciens de services professionnels qui offrent des services sur vos appareils Avanti. Avec l'achat de votre appareil Avanti, vous pouvez être sûr que si vous avez besoin d'informations supplémentaires ou d'aide, l'équipe de service à la clientèle Avanti produits seront là pour vous. Il suffit d'appeler le numéro sans frais.

AVANTI PRODUITS SERVICES CLIENTS

Information produit 800-323-5029	Quels que soient vos questions portent sur nos produits, l'aide est disponible.
Commandes de pièces 800-220-5570	Vous mai, que de commander des pièces et accessoires seront livrés à votre domicile personnels directement par chèque, mandat, Master Card, ou Visa.
Service de réparation 800-220-5570	Un centre de service autorisé de produits Avanti fournira un service de réparation expert, prévue à un moment opportun pour vous qui est. Nos réparateurs formés connaissent votre appareil intérieur et l'extérieur.

AVANTI VOTRE GARANTIE

DURÉE DE LA GARANTIE	Nous paierons
PLEIN garantie d'un an DATE DE L'ACHAT sur toutes les pièces sauf le verre des pièces et / ou les pièces endommagées à la suite d'abus ou de manque d'entretien raisonnable.	PIÈCES DE RECHANGE et de réparation pour corriger les défauts matériels ou de fabrication. Le service doit être fourni par une compagnie de réparation autorisée.
30 JOURS GARANTIE COMPLÈTE DATE DE L'ACHAT SUR LES PIÈCES DE VERRE ET FINITION émail de porcelaine, peint ou finis métalliques parties claires	PIÈCES DE RECHANGE et de réparation pour corriger les vices de matériaux ou de fabrication. Le service doit être fourni par une compagnie de réparation autorisée.

CARRY en service seulement.

Le client sera responsable de tous les frais transport vers et depuis SERVICE Société a autorisé, également vous assurer d'envoyer une copie du certificat d'achat lors de l'envoi l'unité de service pour les réparations.

AVANTI produits ne sont pas DOMMAGES DIRECTS OU INDIRECTS TENUS POUR RESPONSABLES.

Certains états ne permettent pas l'exclusion ou la limitation des dommages indirects ou consécutifs, donc cette exclusion ou limitation peut ne pas vous concerner. Cette garantie vous donne des droits spécifiques, et vous pouvez également qui ont d'autres droits varient d'un État à État.

Cette garantie est pas valable en dehors de la Continental États-Unis.

REGISTRATION INFORMATION

Thank you for purchasing this fine Avanti product. Please fill out this form and return it to the following address within 100 days from the date of purchase and receive these important benefits:

Avanti Products, LLC.
P.O.Box 520604 – Miami, Florida 33152

➤ **Protect your product:**

We will keep the model number and date of purchase of your new Avanti product on file to help you refer to this information in the event of an insurance claim such as fire or theft.

➤ **Promote better products:**

We value your input. Your responses will help us develop products designed to best meet your future needs.

------(detach here)-----

Avanti Registration Card

Name	Model #	Serial #
Address	Date Purchased	Store / Dealer Name
City State Zip	E-mail Address	
Area Code Phone Number	Occupation	
Did You Purchase An Additional Warranty	As your Primary Residence, Do You:	
<input type="checkbox"/> Extended <input type="checkbox"/> None	<input type="checkbox"/> Own <input type="checkbox"/> Rent	
Reason for Choosing This Avanti Product: Please indicate the most important factors That influenced your decision to purchase this product:	Your Age:	
<input type="checkbox"/> Price <input type="checkbox"/> Product Features <input type="checkbox"/> Avanti Reputation <input type="checkbox"/> Product Quality <input type="checkbox"/> Salesperson Recommendation <input type="checkbox"/> Friend / Relative Recommendation <input type="checkbox"/> Warranty <input type="checkbox"/> Other: _____	<input type="checkbox"/> under 18 <input type="checkbox"/> 18-25 <input type="checkbox"/> 26-30 <input type="checkbox"/> 31-35 <input type="checkbox"/> 36-50 <input type="checkbox"/> over 50	
Comments:	Marital Status: <input type="checkbox"/> Married <input type="checkbox"/> Single	
	Is This Product Used In The: <input type="checkbox"/> Home <input type="checkbox"/> Business	
	How Did You Learn About This Product: <input type="checkbox"/> Advertising <input type="checkbox"/> In-Store Demo <input type="checkbox"/> Personal Demo	

