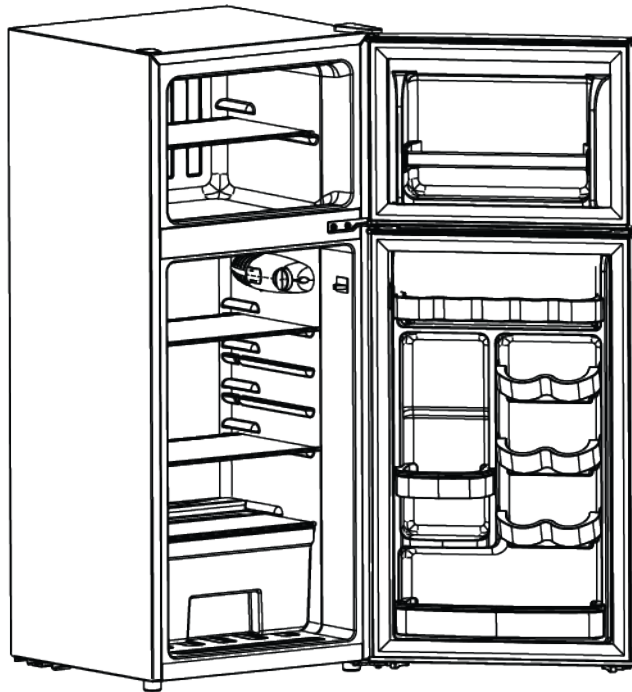


Avanti[®]

Model / Modelo / Modelé:	RA45B3S
REFRIGERATOR / FREEZER REFRIGERADOR / CONGELADOR RÉFRIGÉRATEUR / CONGÉLATEUR	INSTRUCTION MANUAL MANUAL DE INSTRUCCIONES MANUEL D'INSTRUCTIONS



BEFORE USE, PLEASE READ AND FOLLOW ALL SAFETY RULES AND OPERATING INSTRUCTIONS.

Avanti has a policy of continuous improvement on its products and reserves the right to change materials and specifications without notice.

**Avanti Products LLC
P.O. Box 520604
Miami, FL 33152
www.avantiproducts.com**

TABLE OF CONTENTS

Appliance Safety	3
Important Safeguides	4
Help Us Help You	5
Parts and Features	6
Important Safety Instructions	7
Installation Instructions	7
Before Using Your Appliance	7
Installation of Your Appliance	7
Electrical Connection	8
Operating Your Appliance	9 – 10
Freezing Fresh Foods	10
Care and Maintenance	11
Reversing the Door Swing of Your Appliance	11
Cleaning Your Appliance	11
Power Failure / Vacation Time, Moving Your Appliance	11
Energy Saving Tips	11
Troubleshooting Guide	12
Service for Your Appliance	13
Your Avanti Products Warranty	14
Instrucciones en Español	15 – 27
Instructions en Français	28 - 40
Registration Information and Registration Card	Last Page

APPLIANCE SAFETY

Your safety and the safety of others are very important.

We have provided many important safety messages in this manual and on your appliance. Always read and obey all safety messages.



This is the Safety Alert Symbol. This symbol alerts you to potential hazards that can kill or injure you and others.

All safety messages will follow the Safety Alert Symbol and either the words "DANGER", "WARNING" or "CAUTION".



Danger means that failure to heed this safety statement may result in severe personal injury or death.



Warning means that failure to heed this safety statement may result in extensive product damage, serious personal injury, or death.



Caution means that failure to heed this safety statement may result in minor or moderate personal injury, or property or equipment damage.

All safety messages will alert you to what the potential hazard is, tell you how to reduce the chance of injury, and let you know what can happen if the instructions are not followed.

REFRIGERANT GAS WARNINGS

FLAMMABLE REFRIGERANT GAS

DANGER - Risk of fire or explosion. Flammable refrigerant used.

DO NOT use mechanical devices to defrost refrigerator. DO NOT puncture refrigerant tubing.

DANGER - Risque d'incendie ou d'explosion. Réfrigérant inflammable utilisé.

Ne pas utiliser de dispositifs mécaniques pour réfrigérateur à dégivrage. Ne pas percer la tuyauterie du réfrigérant

DANGER - Risk of fire or explosion. Flammable refrigerant used.

To be repaired only by trained service personnel. DO NOT puncture refrigerant tubing.

DANGER - Risque d'incendie ou d'explosion. Réfrigérant inflammable utilisé.

Pour être réparé que par du personnel qualifié. Ne pas percer la tuyauterie du réfrigérant.

CAUTION - Risk of fire or explosion. Flammable refrigerant used.

Consult repair manual / owner's guide before attempting to service this product. All safety precautions must be followed.

AVERTISSEMENT - Risque d'incendie ou d'explosion. Réfrigérant inflammable utilisé. Consultez réparation manuelle / propriétaire, guide avant d'essayer de réparer ce produit. Toutes les précautions doivent être suivies.

CAUTION - Risk of fire or explosion. Dispose of property in accordance with federal or local regulations. Flammable refrigerant used.

AVERTISSEMENT - Risque d'incendie ou d'explosion. Aliéner des biens conformément à la réglementation fédérale ou locale. Réfrigérant inflammable utilisé.

CAUTION - Risk of fire or explosion due to puncture of refrigerant tubing;

Follow handling instructions carefully. Flammable refrigerant used.

AVERTISSEMENT - Risque d'incendie ou d'explosion dus à la perforation des tuyaux de fluide réfrigérant, suivez attentivement les instructions remises. Réfrigérant inflammable utilisé

IMPORTANT SAFEGUARDS



Before the beverage cooler is used, it must be properly positioned and installed as described in this manual, so read the manual carefully. To reduce the risk of fire, electrical shock or injury when using the beverage cooler, follow basic precautions, including the following:

! DANGER !

- Plug into a grounded 3-prong outlet, do not remove grounding prong, do not use an adapter, and do not use an extension cord
- Replace all panels before operating
- It is recommended that a separate circuit, serving only your beverage cooler, be provided. Use receptacles that cannot be turned off by a switch or pull chain
- Never clean appliance parts with flammable fluids. These fumes can create a fire hazard or explosion. And do not store or use gasoline or other flammable vapors and liquids in the vicinity of this or any other appliance. The fumes can create a fire hazard or explosion.
- Before proceeding with cleaning and maintenance operations, make sure the power line of the unit is disconnected.
- Do not connect or disconnect the electric plug when your hands are wet
- Unplug the appliance or disconnect the power before cleaning or servicing. Failure to do so can result in electrical shock or death.
- Do not attempt to repair or replace any part of your appliance unless it is specifically recommended in this material. All other servicing should be referred to a qualified technician.

! WARNING !

- Use two or more people to move and install the appliance. Failure to do so can result in back or other injury.
- To ensure proper ventilation for your appliance, the unit must be completely unobstructed. Choose a well-ventilated area with temperatures above 55°F (13°C) and below 90°F (32 °C). This unit must be installed in an area protected from the elements, such as wind, rain, water spray or sunlight.
- The appliance should not be located next to ovens, grills or other sources of high heat.
- The appliance must be installed with all electrical, water and drain connections in accordance with state and local codes. A standard electrical supply (115 V AC only, 60 Hz), properly grounded in accordance with the National Electrical Code and local codes and ordinances is required.
- Do not kink or pinch the power supply cord of the appliance.
- The fuse (or circuit breaker) size should be 15 amperes.
- It is important for the appliance to be leveled in order to work properly. You may need to make several adjustments to level it.
- All installation must be in accordance with local plumbing code requirements.
- Make certain that the pipes are not pinched or kinked or damaged during installation.
- Check for leaks after connection.
- Never allow children to operate, play with or crawl inside the appliance
- Do not use solvent-based cleaning agents or abrasives on the interior. These cleaners may damage or discolor the interior.
- Do not use this apparatus for other than its intended purpose.

HELP US HELP YOU...

Read this guide carefully.

It is intended to help you operate and maintain your new appliance properly.

Keep it handy to answer your questions. If you don't understand something or you need more help, please call:

Avanti Customer Service
800-220-5570

Keep proof of original purchase date (such as your sales slip) with this guide to establish the warranty period.

CAUTION:

**THIS APPLIANCE IS NOT
DESIGNED FOR THE STORAGE
OF MEDICINE OR OTHER
MEDICAL PRODUCTS.**

Write down the model and serial numbers.

You'll find them on a plate located on the rear outside wall of the appliance.

Please write these numbers here:

Date of Purchase

Model Number

Serial Number

Use these numbers in any correspondence or service calls concerning your appliance.

If you received a damaged appliance, immediately contact the dealer (or builder) that sold you the appliance.

Save time and money. Before you call for service, check the Troubleshooting Guide. It lists causes of minor operating problems that you can correct yourself.

IF YOU NEED SERVICE

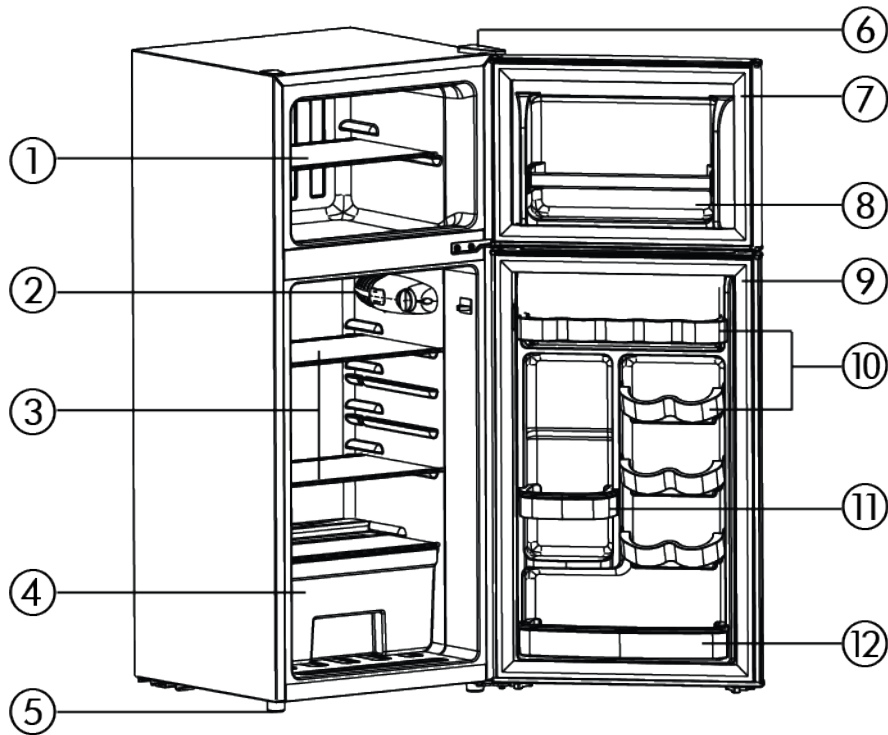
We're proud of our service and want you to be pleased. If for some reason you are not happy with the service you receive, here are some steps to follow for further assistance.

FIRST, contact the people who serviced your appliance. Explain why you are not pleased. In most cases, this will solve the problem.

NEXT, if you are still not pleased, write all the details, including your telephone number, and send it to:

Customer Service
Avanti Products
10880 NW 30 Street
Miami, FL 33172 USA

PARTS AND FEATURES



1	Freezer Shelf (Wire)	7	Freezer Door
2	Temperature Control	8	Freezer Door Bin
3	Refrigerator Shelves (2) (Glass)	9	Refrigerator Door
4	Crisper with Glass Cover	10	Refrigerator Door Bins (4)
5	Leveling Leg	11	2 – Liter Bottle Bin
6	Top Hinge	12	Refrigerator Door Bin

IMPORTANT SAFETY INSTRUCTIONS

<p>~ WARNING ~</p>	<p>To reduce the risk of fire, electrical shock, or injury when using your refrigerator-freezer, follow these basic precautions:</p>
<ul style="list-style-type: none"> • Read all instructions before using the refrigerator-freezer. • DANGER or WARNING: Risk of child entrapment. Child entrapment and suffocation are not problems of the past. Junked or abandoned refrigerator-freezers are still dangerous. . . even if they will “just sit in the garage a few days.” • Before you throw away your old refrigerator-freezer: Take off the doors. Leave the shelves in place so that children may not easily climb inside. • Never allow children to operate, play with, or crawl inside the refrigerator-freezer. • Never clean refrigerator-freezer parts with flammable fluids. The fumes can create a fire hazard or explosion. • Do not store or use gasoline or any other flammable vapors and liquids in the vicinity of this or any other refrigerator-freezer. The fumes can create a fire hazard or explosion. <p style="text-align: center;">-Save these instructions-</p>	

INSTALLATION INSTRUCTIONS

Ø Before Using Your Appliance

- I Remove the exterior and interior packing.
- I Check to be sure you have all of the following parts:

I	2 Refrigerator Shelves (Glass)
I	1 Freezer Shelf (Wire)
I	1 Vegetable Crisper
I	1 Glass Crisper Cover
I	1 Instruction Manual

- Before connecting the unit to the power source, let it stand upright for approximately 2 hours. This will reduce the possibility of a malfunction in the cooling system from handling during transportation.
- Clean the interior surface with lukewarm water using a soft cloth.

Ø Installation of Your Appliance

- Place your refrigerator-freezer on a floor that is strong enough to support the refrigerator-freezer when it is fully loaded. To level your refrigerator-freezer, adjust the leveling legs at the bottom of unit.
- **ALLOW 5 INCHES OF SPACE BETWEEN THE BACK AND SIDES OF THE UNIT, WHICH ALLOWS THE PROPER AIR CIRCULATION TO COOL THE COMPRESSOR AND CONDENSER.**
- Locate the unit away from direct sunlight and sources of heat (stove, heater, radiator, etc.). Direct sunlight may affect the acrylic coating and heat sources may increase electrical consumption. Extreme cold ambient temperatures may also cause the refrigerator-freezer not to perform properly.
- Avoid locating the unit in moist areas.
- Plug the unit into an exclusive properly installed-grounded wall outlet. Do not under any circumstances cut or remove the third (ground) prong from the power cord. Any questions concerning power and/or grounding should be directed toward a certified electrician or an authorized Avanti Products service center.

Electrical Connection

~ Warning ~

Improper use of the grounded plug can result in the risk of electrical shock. If the power cord is damaged, have it replaced by an authorized Avanti Products service center.

This appliance should be properly grounded for your safety. The power cord of this appliance is equipped with a three-prong plug which mates with standard three prong wall outlets to minimize the possibility of electrical shock.

Do not under any circumstances cut or remove the third ground prong from the power cord supplied.

This appliance requires a standard 115Volts~/60Hz electrical outlet with three-prong ground.

The cord should be secured behind the appliance and not left exposed or dangling to prevent accidental injury.

Never unplug the appliance by pulling the power cord. Always grip the plug firmly and pull straight out from the receptacle.

Do not use an extension cord with this appliance. If the power cord is too short, have a qualified electrician or service technician install an outlet near the appliance.

EXTENSION CORD

Because of potential safety hazards under certain conditions, it is strongly recommended that you do not use an extension cord with this unit. However, if you must use an extension cord it is absolutely necessary that it be a UL/CUL-Listed, 3-wire grounding type appliance extension cord having a grounding type plug and outlet and that the electrical rating of the cord be 115 volts and at least 10 amperes.

SURGE PROTECTOR

Most electrical appliances use a series of electric control boards to operate. These boards are very susceptible to power surges and could be damaged or destroyed.

If the appliance is going to be used in an area or if your city / country is prone to power surges / outages; it is suggested that you use a power surge protector for all electrical devices / appliances you use. The surge protector that you select must have a surge block high enough to protect the appliance it is connected to. If you have any questions regarding the type and size of surge protector needed contact a licensed electrician in your area.

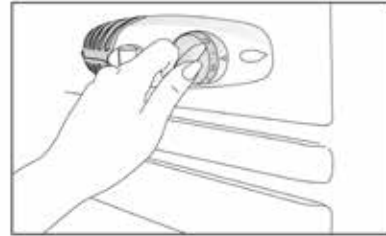
Damages due to power surges are not considered a manufacturer covered defect and will void your product warranty.

OPERATING YOUR APPLIANCE

Ø Setting the Temperature Control

Your unit has only one control for regulating the temperature in the compartment. The temperature control is located on the upper right hand side of the refrigerator compartment.

The first time you turn the unit on, set the temperature control to "7". The range of the temperature control is from position "0" to "7". After 24 to 48 hours, adjust the temperature control to the setting that best suits your needs. The setting of "5" should be appropriate for home or office use.



To turn the refrigerator off, turn the temperature control to "0".

NOTE:

- Turning the temperature control to "0" position stops the cooling cycle but does not shut off the power to the unit.
- If the unit is unplugged, has lost power, or is turned off, you must wait 3 to 5 minutes before restarting the unit. If you attempt to restart before this time delay, the unit will not start.

Interior Light

When you open the door the light will be ON automatically. When you close the door the light will turn OFF automatically.

NOTE:

- IF THE UNIT IS UNPLUGGED, HAS LOST POWER, OR IS TURNED OFF, YOU MUST WAIT 3 TO 5 MINUTES BEFORE RESTARTING THE UNIT. IF YOU ATTEMPT TO RESTART BEFORE THIS TIME DELAY, THE REFRIGERATOR-FREEZER WILL NOT START.

NOTE:

WE DO NOT RECOMMEND THE INSTALLATION OF THE REFRIGERATOR WHERE THE TEMPERATURE WILL DROP BELOW 50°F (13°C) OR RISE ABOVE 110°F (43°C). THE COMPRESSOR WILL NOT BE ABLE TO MAINTAIN PROPER TEMPERATURES INSIDE THE REFRIGERATOR.

FOR INSTALLATIONS WHERE THE TEMPERATURES WILL DROP BELOW 50° SET THE FREEZER TEMPERATURE CONTROL TO THE "COLDEST" SETTING. THIS WILL IMPROVE THE OPERATIONS OF THE REFRIGERATOR UNDER THESE CONDITIONS.

Defrosting Your Refrigerator

When? For the most efficient operation and minimum energy consumption, defrost the freezer compartment when the frost on the refrigerator walls is excessive or ¼ inch thick.

There is no need to defrost the refrigerator compartment, because ice depositing on the inner back wall is defrosted automatically. Ice may deposit on the inner back wall during the compressor operation; later on, when the compressor is not operating the ice will defrost and the water drops collect and drain through the outlet in the inner back wall into the drain pan situated above the compressor, from where it evaporates.

How?

- Reset the thermostat to the "0" position and disconnect the power supply.
- Remove the frozen food from the refrigerator and place it in a cooler to protect the food.
- Leave the door open for a while so that you can easily scrap off the frost.
- Use a plastic scraper but be careful not to damage the inner surfaces of the freezer.
- Wipe up the scraped off frost and ice before it is completely defrosted.

CAUTION: Do not use boiling water because it may damage the plastic parts. In addition, never use a sharp or metallic instrument to remove frost as it may damage the cooling coils and will void the warranty. We recommend using a plastic scraper.

∅ Freezing Fresh Foods

- Proper use of the appliance, adequately packed food, correct temperature and taking into account hygienic precautions will substantially influence the quality of freezing the food or storing of the frozen foods.
- This compartment is designed for the long-term storage of frozen food.
- The storage life of frozen foods varies and the recommended storage time should not be exceeded.
- Pre-packed commercially frozen food should be stored in accordance with the frozen foods manufacturer's instructions for a three star frozen food storage compartment or home freezer.
- Place frozen food into the freezer as quickly as possible after purchase. If there are instructions on the packet, carefully follow these instructions regarding storage times.
- Carefully select food you intend to freeze, it should be of adequate quality and suitable for freezing.
- Use correct packaging and wrap it tight.
- The packaging should be airtight and shouldn't leak since this could cause substantial vitamin loss and dehydration of foods.
- Foils and bags should be soft enough to tightly wrap around the foods.
- When preparing foods to be frozen, consider sanitary precautions.
- Mark packages with following data: kind and amount of foods and the date of loading.
- It is extremely important that the food is frozen as quickly as possible.
- If the loading amount is too large, the quality of freezing is reduced which affects the quality of frozen foods.

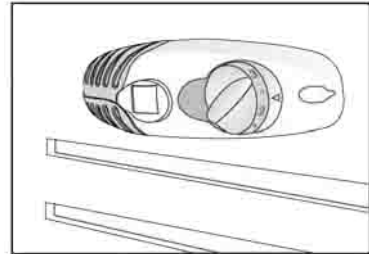
CARE AND MAINTENANCE

Ø Reversing the Door Swing of Your Appliance

This refrigerator-freezer has the capability of the door opening from either the left or right side. The unit is delivered to you with the door opening from the left side. Should you desire to reverse the opening direction, please call service for reversal instructions.

Changing the Light Bulb

- Unplug the AC power cord from the wall.
- Remove the screw securing the light bulb cover.
- Remove the light bulb cover.
- Unscrew the bulb.
- Replace with a 10 watts bulb that is the same shape and size.
- Replace the light bulb cover, replace the screw and secure the light bulb cover.



Ø Cleaning Your Appliance

- Unplug the unit, and remove the food and baskets.
- Wash the inside with a warm water and baking soda solution. The solution should be about 2 tablespoons of baking soda to a quart of water.
- Wash the baskets with a mild detergent solution.
- The outside of the unit should be cleaned with mild detergent and warm water.

CAUTION

Failure to unplug the refrigerator-freezer could result in electrical shock or personal injury.

Ø Power Failure

Most power failures are corrected within a few hours and should not affect the temperature of your refrigerator-freezer if you minimize the number of times the door is opened. If the power is going to be off for a longer period of time, you need to take the proper steps to protect your food.

Ø Vacation Time

Short vacations: Leave the unit operating during vacations of less than three weeks.

Long vacations: If the appliance will not be used for several months, remove all food and unplug the power cord. Clean and dry the interior thoroughly. To prevent odor and mold growth, leave the door open slightly: blocking it open if necessary

Ø Moving Your Appliance

- Remove all the food.
- Securely tape down all loose items inside your unit.
- Turn the leveling screws up to the base to avoid damage.
- Tape the door shut.
- Be sure the unit stays in the upright position during transportation.

Ø Energy Saving Tips

- The unit should be located in the coolest area of the room, away from heat producing appliances or heating ducts, and out of direct sunlight.
- Let hot foods cool to room temperature before placing them in the unit. Overloading the unit forces the compressor to run longer. Foods that freeze too slowly may lose quality, or spoil.
- Be sure to wrap foods properly, and wipe containers dry before placing them in the unit. This cuts down on frost build-up inside the freezer.
- Organize and label food to reduce door openings and extended searches. Remove as many items as needed at one time, and close the door as soon as possible.

Ø PROBLEMS WITH YOUR APPLIANCE?

You can solve many common refrigerator-freezer problems easily, saving you the cost of a possible service call. Try the suggestions below to see if you can solve the problem before calling for service.

TROUBLESHOOTING GUIDE

PROBLEM	POSSIBLE CAUSE
Unit does not operate.	Not plugged in. The circuit breaker tripped or there is a blown fuse.
Compressor turns on and off frequently.	The room temperature is hotter than normal. A large amount of food has been added to the refrigerator - freezer. The door is opened too often. The door is not closed completely. The temperature control is not set correctly. The door gasket does not seal properly. The refrigerator -freezer does not have the correct clearances.
Vibrations.	Check to assure that the refrigerator - freezer is level.
The unit seems to make too much noise.	The rattling noise may come from the flow of the refrigerant, which is normal. As each cycle ends, you may hear gurgling sounds caused by the flow of refrigerant in your refrigerator - freezer. Contraction and expansion of the inside walls may cause popping and crackling noises. The unit is not level.
The door will not close properly.	The unit is not level. The door is reversed and not properly installed. The gasket is dirty. The baskets are out of position.

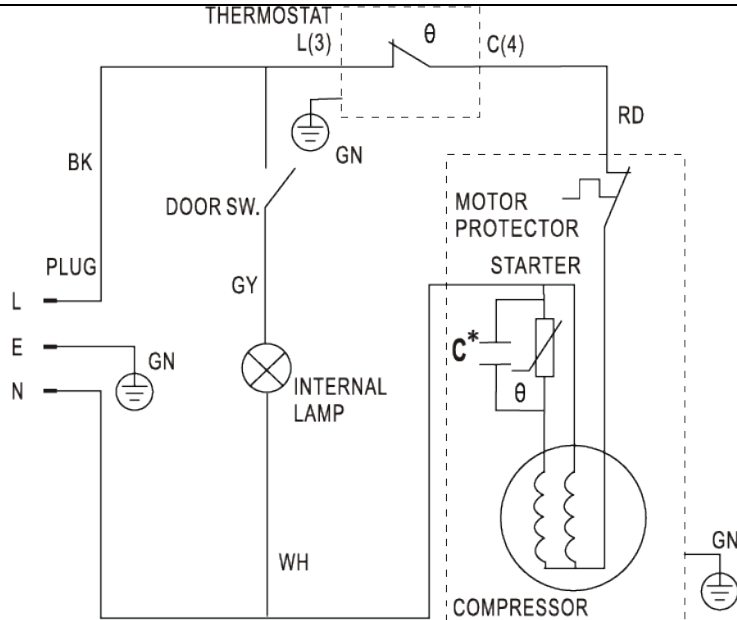
SERVICE FOR YOUR APPLIANCE

We are proud of our customer service organization and the network of professional service technicians that provide service on your Avanti appliances. With the purchase of your Avanti appliance, you can have the confidence that if you ever need additional information or assistance the Avanti Products Customer Service team will be here for you. Just call us toll-free.

AVANTI PRODUCTS CUSTOMER SERVICES

Product Information 800-323 5029	Whatever your questions are about our products, help is available.
Part Orders 800-220 5570	You may order parts and accessories that will be delivered directly to your home. You may order these items by personal check, money order, Master Card, or Visa.
In-Home Repair Service 800-220 5570	An Avanti Products authorized service center will provide expert repair service, scheduled at a time that is convenient for you. Our trained servicers know your appliance inside and out.

WIRING DIAGRAM



C*:The capacitor is optional according to different compressor model
LE CONDENSATEUR EST FACULTATIF SELON LE MODELE DE COMPRESSEUR

YOUR AVANTI PRODUCTS WARRANTY	Staple your sales receipt here. Proof of original purchase date is needed to obtain service under warranty.
<u>WHAT IS COVERED – LIMITED ONE-YEAR WARRANTY</u>	
Avanti Products warrants that the product is free from defects in materials and/or workmanship for a period of twelve (12) months from the date of purchase by the original owner. The foregoing timeline begins to run upon the date of purchase, and shall not be stalled, tolled, extended, or suspended for any reason whatsoever unless described in detail in the warranty document. For one year from the date of purchase by the original owner, Avanti products will, at its option, repair or replace any part of the product which proves to be defective in material or workmanship under normal use. Avanti Products will provide you with a reasonably similar product that is either new or factory refurbished. During this period Avanti Products will provide all parts and labor necessary to correct such defects free of charge, so long as the product has been installed and operated in accordance with the written instructions in this manual. In rental or commercial use, the warranty period is 90 days. All Avanti appliances of 4.2 cubic feet capacity or less must be brought/sent to the appliance service center for repair.	
<u>LIMITED SECOND THROUGH FIFTH YEAR WARRANTY</u>	
For the second through the fifth year from the date of original purchase, Avanti Products will provide a replacement compressor free of charge due to a failure. You are responsible for the service labor and freight charges. In rental or commercial use, the limited compressor warranty is one year and nine months. Costs involved to move the product to the service center and back to the user's home, as maybe required, are the user's responsibility.	
<u>WARRANTY EXCLUSIONS / WHAT IS NOT COVERED:</u>	
The warranty coverage described herein excludes all defects or damage that are not the direct fault of Avanti Products, including without limitation, one or more of the following:	
<ul style="list-style-type: none"> • A failure to comply with any applicable state, local, city, or county electrical, plumbing and/or building codes, regulations, or laws, including failure to install the product in strict conformity with local fire and building codes and regulations. • Any external, elemental and/or environmental forces and factors, including without limitation, rain, wind, sand, floods, fires, mud slides, freezing temperatures, excessive moisture or extended exposure to humidity, lightning, power surges, structural failures surrounding the appliance, and acts of God. 	
<ul style="list-style-type: none"> • Content losses of food or other content due to spoilage. • Incidental or consequential damages • Parts and labor costs for the following will not be considered as warranty: <ul style="list-style-type: none"> • Evaporator doors, door springs, and/or frames. • Inner door panels, door shelves, door rails, and/or door supports. • Vegetable crispers. • Light bulbs and/or plastic housing. • Plastic cabinet liners. • Punctured evaporator that voids the warranty on the complete sealed system. 	<ul style="list-style-type: none"> • Shipping and handling costs associated with the replacement of the unit. • Repairs performed by unauthorized servicers. • Service calls that are related to external problems, such as abuse, misuse, inadequate electrical power, accidents, fire, floods, or any other acts of God. • Failure of the product if it is used for other than its intended purpose. • The warranty does not apply outside the Continental USA. • Surcharges including but not limited to, any after hour, weekend, or holiday service calls, tolls, ferry trip charges, or mileage expense for service calls to remote areas.
In no event shall Avanti Products have any liability or responsibility whatsoever for damage to surrounding property, including cabinetry, floors, ceilings, and other structures and/or objects around the product. Also excluded from this warranty are scratches, nicks, minor dents, and other cosmetic damages on external surfaces and exposed parts; Products on which the serial numbers have been altered, defaced or removed; service visits for customer education, or visits where there is nothing wrong with the product; correction of installation problems (you are solely responsible for any structure and setting for the product, including all electrical, plumbing and/or other connecting facilities, for proper foundation/flooring, and for any alterations including without limitation cabinetry, walls, floors, shelving etc., as well as the resetting of breakers or fuses.	
<u>OUT OF WARRANTY PRODUCT</u>	
Avanti Products is under no obligation, at law or otherwise, to provide you with any concessions, including repairs, pro-rates, or product replacement, once this warranty has expired.	
<small>WARRANTY – REFRIGERATION - COMPRESSOR</small>	

SEGURIDAD DEL REFRIGERADOR

Su seguridad y la seguridad de los demás son muy importantes.

Hemos incluido muchos mensajes importantes de seguridad en este manual para su refrigerador. Lea y obedezca siempre todos los mensajes de seguridad.



Este es el símbolo de alerta de seguridad. Este símbolo le alerta sobre peligros potenciales que pueden ocasionar la muerte o daños a usted ya los demás. Todos los mensajes de seguridad irán a continuación del símbolo de advertencia de seguridad y de la palabra "PELIGRO", "ADVERTENCIA" o "PRECAUCIÓN".



"PELIGRO" significa que si no se respeta esta medida de seguridad podría resultar en lesiones personales graves o la muerte.



"ADVERTENCIA" significa que si no se respeta esta medida de seguridad podría resultar en daños extensa producto, lesiones personales graves o la muerte.



"PRECAUCIÓN" significa que si no se respeta esta medida de seguridad podría causar lesiones personales leves o moderadas, daños materiales o equipos.

Todos los mensajes de seguridad le alertará a saber qué peligro potencial, le dirán cómo reducir las posibilidades de lesiones, y le hará saber lo que puede suceder si las instrucciones no se siguen.

GAS REFRIGERANTE INFLAMABLE

PELIGRO - Riesgos de incendio o explosión. Refrigerante inflamable usado.

NO use dispositivos mecánicos para descongelar el refrigerador. No pinche tubería refrigerante.

PELIGRO - Riesgos de incendio o explosión. Refrigerante inflamable usado. Para ser reparado sólo por personal de servicio técnico cualificado. No pinche tubería refrigerante.

PRECAUCIÓN - Riesgo de incendio o explosión. Refrigerante inflamable usado. Consulte el manual de reparación / manual del propietario antes de intentar reparar este producto. Todas las precauciones de seguridad que se deben seguir.

PRECAUCIÓN - Riesgo de incendio o explosión. Deshágase de los bienes de acuerdo con las regulaciones federales o locales. Refrigerante inflamable usado.

PRECAUCIÓN - Riesgo de incendio o explosión debido a la perforación de la tubería de refrigerante. Siga las instrucciones de manejo cuidadosamente. Refrigerante inflamable usado.

PRECAUCIÓN - Para evitar que un niño está atrapado, mantener fuera del alcance de los niños y no en las proximidades de la nevera.

GUÍAS DE SEGURIDAD IMPORTANTES



Antes de usar el refrigerador, debe tener la posición correcta y se instala como se describe en este manual, así que lea cuidadosamente el manual. Para reducir el riesgo de incendio, descarga eléctrica o lesiones personales al usar su refrigerador siga estas precauciones básicas, incluyendo las siguientes:



- Conecte a un contacto de 3 clavijas con conexión a tierra, no quite el terminal de conexión a tierra, no utilice un adaptador, y no use un cable de extensión.
- Se recomienda que se proporcione un circuito separado, que sirve sólo para su refrigerador. No usar un tomacorriente que no se puede apagar con un interruptor o cadena de tracción.
- Nunca limpie las partes del refrigerador con líquidos inflamables. Estos vapores pueden crear un peligro de incendio o explosión. Y no almacene ni use gasolina u otros vapores y líquidos inflamables en la proximidad de éste o cualquier otro refrigerador. Los vapores pueden crear un peligro de incendio o explosión.
- Antes de proceder a las operaciones de limpieza y mantenimiento, asegúrese de que la línea de alimentación de la unidad se desconecta.
- No conecte o desconecte el enchufe eléctrico con las manos mojadas.
- Desenchufe el refrigerador o desconecte la energía antes de la limpieza o el mantenimiento. El no hacerlo puede dar lugar a descargas eléctricas o muerte.
- No intente reparar o reemplazar cualquier parte de su refrigerador a menos que se recomiende específicamente en este manual. Cualquier otro servicio debe ser realizado por un técnico calificado.



SIGA ADVERTENCIA ESCRITAS AQUÍ SÓLO CUANDO APLICABLE A SU MODELO

- Use dos o más personas para mover e instalar el refrigerador. El no hacerlo puede resultar en la espalda u otro tipo de lesiones.
- Para asegurar la adecuada ventilación para su refrigerador, la parte frontal de la unidad debe estar completamente despejada. Elija un área bien ventilada con temperaturas superiores (16 ° C) 60 ° F y por debajo de 90 ° F (32 ° C). Esta unidad se debe instalar en un área protegida del elemento, como el viento, la lluvia, el goteo de agua.
- El frigorífico no debe colocarse cerca de hornos, parrillas u otras fuentes de calor.
- El refrigerador debe ser instalado con todas las conexiones eléctricas, de agua y de drenaje de acuerdo con los códigos estatales y locales. Se requiere un suministro de corriente estándar (115 V CA solamente, de 60 Hz), debidamente conectada a tierra de acuerdo con el Código Eléctrico Nacional y los códigos y ordenanzas locales.
- No doble ni apriete el cable de alimentación del refrigerador.
- El fusible (o disyuntor) tamaño debe ser de 15 amperios.
- Es importante que el refrigerador para ser nivelado para que funcione correctamente. Es posible que tenga que hacer varios ajustes para nivelarla.
- Toda la instalación debe realizarse de acuerdo con los requerimientos locales de plomería.
- Asegúrese de que los tubos no queden atrapados o doblado o dañado durante la instalación.
- Compruebe si hay fugas después de la conexión.
- Nunca permita que los niños manejen, jueguen o entren dentro del refrigerador.
- Si utiliza el recipiente de drenaje, debe establecer el drenaje interruptor de selección en la posición OFF o el agua se desborde del depósito de drenaje
- A pesar de que la unidad ha sido probado en la fábrica, debido al tránsito y almacenamiento a largo plazo, el primer lote de cubos debe ser desechado.
- No utilice productos de limpieza a base de solventes de abrasivos en el interior. Estos limpiadores pueden dañar o decolorar el interior.
- No utilice este refrigerador para propósitos distintos a los previstos.

AYÚDANOS A AYUDARTE

Lea detenidamente esta guía.

Se tiene la intención de ayudar a hacer funcionar y mantener su refrigerador correctamente.

Tenga a la mano para responder a sus preguntas. Si usted no entiende algo o necesita más ayuda, por favor llame al:

**Servicio al cliente de Avanti
800-220-5570**

Mantenga comprobante de la fecha original de compra (como el recibo de venta) con esta guía para establecer el período de garantía.

PRECAUCIÓN:

El refrigerador no está diseñado para el almacenamiento de la medicina o de otros productos médicos.

Anote el modelo y número de serie.

Los encontrará en una placa situada en la pared posterior del refrigerador.

Por favor, escriba estos números aquí:

Fecha de compra

Número de modelo

número de serie

Utilice estos números en cualquier correspondencia o llamadas de servicio en relación con el sistema.

Si usted recibió un dañado refrigerador, comuníquese inmediatamente con el distribuidor (o contratista) que le vendió el refrigerador.

Ahorre tiempo y dinero. Antes de acudir al servicio, verifique la guía de solución de problemas. En él se enumeran las causas de los problemas de funcionamiento de menor importancia que usted mismo puede corregir.

Si usted necesita servicio

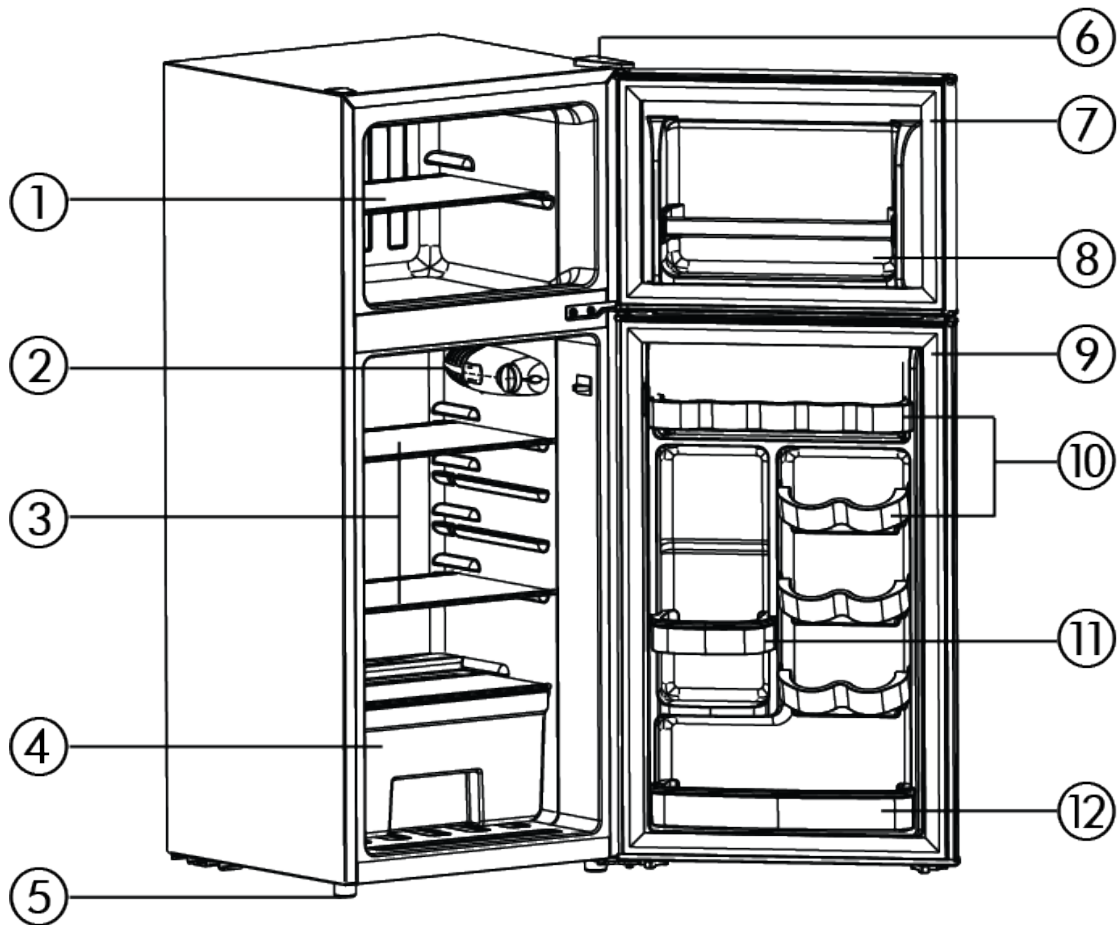
Estamos orgullosos de nuestro servicio y queremos que usted esté satisfecho. Si por alguna razón usted no está satisfecho con el servicio que recibe, aquí hay algunos pasos a seguir para obtener más ayuda.

PRIMERO, póngase en contacto con la gente que repararlo refrigerador. Explique por qué usted no está satisfecho. En la mayoría de los casos, esto va a resolver el problema.

SIGUIENTE, si todavía no está contento, escribir todos los detalles, incluyendo su número de teléfono y enviarla a:

Servicio al Cliente
Avanti Products
10880 NW 30 Street
Miami, FL 33172
EE.UU.

PARTES Y CARACTERÍSTICAS



1	Repisa del congelador (Alambre)	7	Puerta del congelador
2	Contról de la temperature	8	Compartimento en la puerta
3	Repisas del refrigerador (2 en total) (Vidrio)	9	Puerta del refrigerador
4	Bandeja con cubierta de cristal	10	Compartimentos en la puerta
5	Pata niveladora	11	Compartimento para botella de 2 litros
6	Bisagra superior	12	Compartimentos en la puerta

INSTRUCCIONES DE SEGURIDAD IMPORTANTES

~ PRECAUCIÓN ~	Para reducir el riesgo de incendio, descarga eléctrica, o daño cuando use su refrigerador, siga las siguientes precauciones.
-----------------------	--

Esta unidad es para uso en interiores - GUARDE ESTAS INSTRUCCIONES -

- Leer todas las instrucciones antes de usar el refrigerador.
- **PELIGRO o ADVERTENCIA:** Riesgo de encierro para niños. Niños atrapados y sofocación no son problemas del pasado. Refrigeradores desechados o abandonados siguen siendo peligrosos. . . incluso si van a "sentarse en el garaje de unos pocos días".
- **Antes de deshacerse de su refrigerador viejo:** quite las puertas. Deje los estantes en su lugar para que los niños no puedan meterse con facilidad.
- Nunca permita que los niños manejen, jueguen o se arrastren dentro del refrigerador.
- Nunca limpie las piezas del refrigerador con líquidos inflamables. Los vapores pueden crear un peligro de incendio o explosión.
- No almacene ni use gasolina u otros vapores y líquidos inflamables en la proximidad de éste o cualquier otro refrigerador. Los vapores pueden crear un peligro de incendio o explosión.

INSTRUCCIONES DE INSTALACIÓN

Antes de usar el refrigerador

- Retire la envoltura interna y externa.
- Verifique para asegurarse de que tiene todas las siguientes partes:
 - 2 repisas para el compartimento del refrigerador (vidrio)
 - 1 repisa para el compartimento del congelador (alambre)
 - 1 gaveta con repisa de cristal
 - Manual de Instrucciones
- Antes de conectar el refrigerador a la fuente de alimentación, es sugerido dejarlo en posición vertical durante aproximadamente 2 horas. Esto reducirá la posibilidad de un mal funcionamiento en el sistema de refrigeración del refrigerador de la manipulación durante el transporte.
- Limpie la superficie interior con agua tibia usando un paño suave.

Instalación del refrigerador

- Coloque la unidad en un piso que sea lo suficientemente fuerte para soportar la unidad cuando está completamente cargado. Para nivelar la unidad, ajuste las patas niveladoras en la parte inferior de la unidad.
- Deje un espacio entre de aproximadamente 5 pulgadas entre la unidad y la parte posterior y los lados de la unidad, lo que permite la circulación de aire necesaria para enfriar el compresor y el condensador.
- Coloque la unidad lejos de la luz solar directa y de fuentes de calor (estufa, calentador, radiador, etc.) La luz solar directa puede afectar a la capa de acrílico y las fuentes de calor puede aumentar el consumo eléctrico. Temperaturas ambientales extremadamente frías también pueden causar que la unidad no funcione correctamente.
- Evite colocar la unidad en áreas húmedas.
- Después de conectar el refrigerador a una toma de corriente, deje que la unidad se enfríe durante 2-3 horas antes de colocar los alimentos en los compartimentos del refrigerador.

Conexión eléctrica

~ PRECAUCIÓN ~

La conexión incorrecta del conductor a tierra puede resultar en riesgo de descarga eléctrica. Si el cable de alimentación de la estufa o refrigerador está dañado, hágalo cambiar por un centro de servicio de Avanti Products.

Este refrigerador debe estar correctamente conectado a tierra para su seguridad. El cable eléctrico de este refrigerador está equipado con un enchufe de tres patas que se acopla con las tomas de corriente estándar de tres clavijas para minimizar la posibilidad de choque eléctrico.

Bajo ninguna circunstancia corte o quite la tercera clavija de tierra del cable de alimentación suministrado. Para su seguridad personal, este refrigerador debe estar correctamente conectado a tierra.

Este refrigerador requiere un 115/120 Volt AC ~ / 60Hz enchufe estándar de conexión eléctrica a tierra con tres clavijas. Haga revisar el tomacorriente y el circuito por un electricista calificado para asegurarse que el tomacorriente está conectado a tierra correctamente. Cuando se encuentra una toma de corriente estándar de 2 patas, es su responsabilidad y obligación reemplazarlo por un tomacorriente de 3 clavijas debidamente conectado a tierra.

El cable debe mantenerse detrás del refrigerador y no dejó la vista ni colgando para prevenir lesiones accidentales.

El refrigerador debe ser conectado siempre en su propio contacto eléctrico individual que tenga un voltaje que vaya de la placa de características del refrigerador. Esto proporciona el mejor rendimiento y también a evitar la sobrecarga de los circuitos eléctricos de la casa que podrían causar un riesgo de incendio por sobrecalentado. Nunca desenchufe el refrigerador tirando del cable de alimentación. Siempre agarre firmemente el enchufe y tire derecho hacia afuera del tomacorriente. Repare o reemplace inmediatamente todos los cables eléctricos que se hayan desgastado o dañado. No utilice un cable que muestre grietas o raspaduras en toda su longitud o en cualquier extremo. Al mover el refrigerador, tenga cuidado de no dañar el cable de alimentación.

Cable de extensión

Debido a peligros potenciales de seguridad bajo ciertas condiciones, se recomienda encarecidamente que no se utilice un cable de extensión con este refrigerador. Sin embargo, si debe utilizar un cable de extensión, es absolutamente necesario que sea un cable de UL / CUL 3 cables de extensión con puesta a tierra con enchufe con toma de tierra y la salida y que la clasificación eléctrica del cable sea de 115 voltios y al menos 10 amperios.

Protector contra sobretensiones

La mayoría de los refrigeradores eléctricos utilizan una serie de tableros de control eléctrico para funcionar. Estas tarjetas son muy susceptibles a sobretensiones y podrían resultar dañados o destruidos.

Si el refrigerador no va a ser utilizado en un área o si su ciudad / país es propenso a subidas de tensión / interrupciones; se sugiere que utilice un protector contra sobrecargas de energía para todos los dispositivos / refrigeradores eléctricos que esté tomando. El estabilizador de tensión que usted seleccione debe tener un bloque oleada suficientemente alto como para proteger el refrigerador está conectado a. Si usted tiene alguna pregunta relacionada con el tipo y tamaño de protector contra sobretensiones es necesario ponerse en contacto con un electricista calificado en su área.

Los daños debidos a las sobrecargas de energía no se considerará un defecto del fabricante cubierto y anulará la garantía del producto.

Inversión de la oscilación de las puertas de su refrigerador

Este refrigerador-congelador tiene la capacidad de las puertas que se abren desde la izquierda o la derecha Cualquiera de las partes. La unidad se entrega usted con las puertas que se abren desde el lado izquierdo. Si usted desea invertir el sentido de apertura, por favor llamar al servicio para obtener instrucciones de reversión.

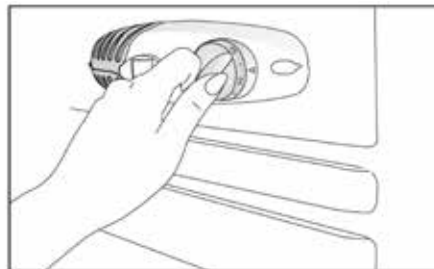
FUNCIONAMIENTO DEL REFRIGERADOR

Como ajustar el control de temperatura

Su unidad tiene un solo control para regular la temperatura, este control se encuentra localizado en la parte superior derecha del compartimiento del refrigerador.

Al conectar y encender su unidad, asegúrese de rotar el control de temperatura hacia la posición de "7".

Este control de temperatura puede variar desde "0" hasta la posición "7", después de haberse mantenido en la posición "7" por 24 o 48 horas aproximadamente, regrese el control de temperatura para ajustarlo a la posición que más se ajuste a sus necesidades, por ejemplo la posición "5" sería apropiada para usar su unidad en su hogar u oficinas.



Para apagar su unidad, simplemente rote el control de temperatura hacia la posición de "0".

NOTA:

- Rotando el control de temperatura hacia la posición de "0", Usted solamente apaga el ciclo de enfriamiento, pero no desconecta su unidad de la fuente de corriente.
- Si la unidad es desconectada de la pared o sufre una interrupción de electricidad Usted siempre debe esperar por un aproximado de 3 a 5 minutos para poder encenderla de nuevo, de no hacerlo así, su unidad no comenzará a funcionar.

NOTA:

NO RECOMENDAMOS la instalación de la unidad donde la temperatura descienda de los 50 °F (13°C) o aumenta sobre 110°F (43°C). El compresor no podrá mantener las temperaturas adecuadas dentro del refrigerador.

Para instalaciones donde las temperaturas bajarán por debajo de los 50°F (13°C); Ajuste el control de temperatura del congelador al ajuste "MÁS FRÍO". Esto mejorará las operaciones del refrigerador bajo estas condiciones.

Luz interior

Al abrir la puerta la luz se encenderá automáticamente. Al cerrar la puerta, la luz se apagará automáticamente.

Descongelar su refrigerador

¿Cuándo? Para un funcionamiento más eficiente y un consumo mínimo de energía, descongelar el congelador cuando la escarcha en las paredes del refrigerador es excesiva o ¼ de pulgada de grosor.

No hay necesidad de descongelar el compartimiento del refrigerador, porque depósito de hielo en la pared trasera interior se descongela automáticamente. El hielo puede depositar en la pared posterior interna durante el funcionamiento del compresor; más tarde, cuando el compresor no está funcionando el hielo se descongele y las gotas de agua de recoger y drenar a través de la toma de corriente en la pared trasera interior en la bandeja de drenaje situado encima del compresor, desde donde se evapora.

¿Cómo?

- Reinicie el termostato a la posición "0" y desconecte la fuente de alimentación.
- Retire los alimentos congelados del refrigerador y colócalo en un refrigerador para proteger la comida.
- Deje la puerta abierta por un tiempo para que pueda desechar fácilmente fuera de la helada.
- Use una espátula de plástico, pero tenga cuidado de no dañar las superficies interiores del congelador.
- Limpie la escarcha y el hielo raspado antes de que esté completamente descongelado.

PRECAUCIÓN: *No use agua hirviendo porque puede dañar las piezas de plástico. Además, nunca utilice un instrumento afilado o metálico para quitar el hielo ya que puede dañar los serpentines de enfriamiento y anulará la garantía. Se recomienda utilizar una espátula de plástico.*

Congelar alimentos frescos

- Uso correcto del refrigerador, los alimentos envasados de manera adecuada, la temperatura correcta y teniendo en cuenta las precauciones de higiene influirá sustancialmente la calidad de la congelación de la comida o el almacenamiento de los alimentos congelados.
- Este compartimiento está diseñado para el almacenamiento a largo plazo de los alimentos congelados.
- El periodo de conservación de los alimentos congelados varía y no se debe exceder el tiempo de almacenamiento recomendado.
- Pre-ensados alimentos congelados deben almacenarse de acuerdo con las instrucciones del fabricante de alimentos congelados para un compartimiento de almacenamiento de alimentos congelados de tres estrellas o en el congelador en casa.
- Coloque los alimentos congelados en el congelador lo más rápidamente posible después de la compra. Si hay instrucciones en el paquete, siga estas instrucciones con cuidado con respecto a los tiempos de almacenamiento.
- Seleccione con cuidado los alimentos que tiene la intención de congelar, debe ser de calidad suficiente y adecuada para la congelación.
- Utilice el embalaje correcto y lo envuelva firmemente.
- El embalaje debe ser hermético y no debe tener fugas, ya que esto podría causar una pérdida sustancial de la vitamina y la deshidratación de los alimentos.
- Láminas y bolsas deben ser lo suficientemente suave para envolver herméticamente alrededor de los alimentos.
- Cuando prepare alimentos para ser congelados, tenga en cuenta las precauciones sanitarias.
- Marcar los paquetes con los siguientes datos: tipo y cantidad de los alimentos y la fecha de carga.
- Es extremadamente importante que los alimentos se congelen lo más rápidamente posible.
- Si la cantidad de carga es demasiado grande, la calidad de la congelación se reduce que afecta a la calidad de los alimentos congelados.

CUIDADO Y MANTENIMIENTO

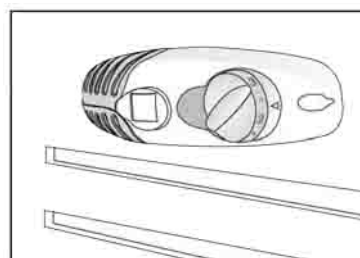
Limpieza del refrigerador

- Gire el control de temperatura a "0", desconecte la unidad y retire el alimento, estantes y bandejas.
- Lave las superficies interiores con una solución de agua y bicarbonato de soda caliente. La solución debe ser aproximadamente 2 cucharadas de bicarbonato de sodio en un litro de agua.
- Lave los estantes y bandejas con una solución detergente suave.
- La parte exterior de la unidad se debe limpiar con un detergente suave y agua tibia.
- Escurra el exceso de agua de la esponja o paño antes de limpiar el área de los controles o cualquier pieza eléctrica.
- Lave el gabinete exterior con agua tibia y detergente líquido suave. Enjuague bien y seque con un paño suave y limpio.

PRECAUCIÓN: la falla de desconectar el refrigerador podría resultar una descarga eléctrica o lesiones personales.

Cómo cambiar el bombillo

- Desconecte el cable de alimentación de CA de la pared.
- Remueve el tornillo que sujete la tapa.
- Retire la tapa del bombillo de luz.
- Desenrosque el bombillo.
- Reemplace con un bombillo de 10 vatios que es del mismo tamaño y forma.
- Vuelva a colocar la tapa del bombillo de luz, e inserte el tornillo y sujete la tapa.



Fallo de alimentación

Usualmente la electricidad regresa en unas pocas horas sin afectar la temperatura de su refrigerador, siempre que la puerta no se abra muy frecuentemente. Si le va a faltar electricidad por un período de tiempo más largo, usted debe tomar los pasos apropiados para proteger sus alimentos.

Tiempo de vacaciones

Vacaciones cortas: Deje la unidad en funcionamiento durante las vacaciones de menos de tres semanas.

Vacaciones largas: Si el refrigerador no va a utilizar durante varios meses, retire todos los alimentos y desenchufe el cable de alimentación. Limpie y seque bien el interior. Para evitar olores y humedad, deje la puerta levemente abierta: bloquéela de ser necesario

Para mover su refrigerador

- Retire los alimentos.
- Asegúrese de colocar cinta adhesiva a todo lo que se puede caer dentro de su refrigerador.
- Retire las patas para prevenir que se dañen.
- Selle las puertas con cinta adhesiva.
- Asegúrese que el refrigerador se mantenga parado durante el traslado.

Consejos para ahorrar energía

Su refrigerador debe estar ubicado en el área más fría de la habitación, alejado de refrigeradores que produzcan calor o conductos de aire caliente y lejos de los rayos solares.

Los alimentos calientes deben estar a temperatura ambiental antes de colocarlos en el refrigerador. Si sobrecarga su refrigerador forzará al compresor a funcionar más tiempo del normal. Los alimentos que se congelan lentamente pierden calidad y se malogran.

Asegúrese de envolver adecuadamente los alimentos y de secar los empaques o contenedores antes de colocarlos dentro del refrigerador.

Colocarlos mojados ocasiona escarcha en el refrigerador.

Organice y coloque etiquetas en los envases de los alimentos con la finalidad de encontrar rápidamente lo que usted está buscando. Retire la mayor cantidad posible de cosas que necesita a la vez y cierre la puerta del refrigerador tan pronto le sea posible.

GUÍA DE SOLUCIÓN DE PROBLEMAS

Puede solucionar muchos problemas comunes de la unidad fácilmente, ahorrando el costo de una posible llamada de servicio. Pruebe las sugerencias a continuación para ver si puede resolver el problema antes de llamar al servicio técnico.

PROBLEMA	CAUSAS PROBABLES
El refrigerador no funciona.	No enchufado El disparó el cortacircuitos o un fusible quemado. El control de temperatura de la unidad se pone en la posición "0".
Enciende y apaga con frecuencia.	La temperatura ambiente es más caliente de lo normal. Una gran cantidad de comida ha sido añadido a la unidad. La puerta se abre con demasiada frecuencia. La puerta no está cerrada completamente. El control de temperatura no están correctamente ajustadas. La junta de la puerta no cierra correctamente. La unidad no tiene el suficiente espacio libre.
La luz no funciona.	El disyuntor de circuito de casa o fusible ha saltado. El refrigerador está desconectado. La bombilla está quemada (ver la sección Mantenimiento para el procedimiento de sustitución).
Vibraciones.	Revise para asegurarse de que la unidad esté nivelada.
El refrigerador parece hacer demasiado ruido.	El ruido de traqueteo puede producirse por el flujo del refrigerante, lo cual es normal. Al final de cada ciclo, se pueden escuchar sonidos de gorgoteo causado por el flujo de refrigerante en la unidad. La contracción y expansión de las paredes internas pueden causar popping y crujidos. La unidad no está nivelada.
La puerta no se cerrará correctamente.	La unidad no está nivelada. La puerta se invirtió y no se ha instalado correctamente. La junta está sucia o doblada. Los estantes, recipientes o cestas están fuera de posición.

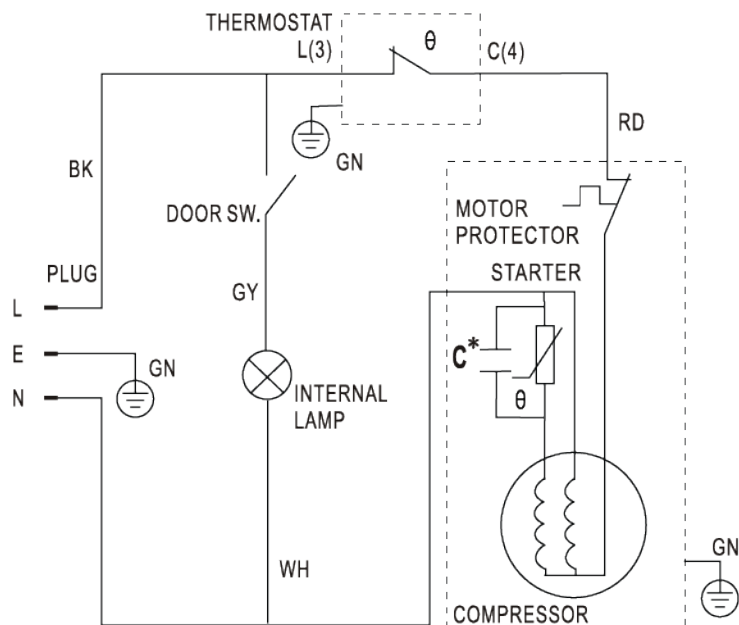
SERVICIO DEL REFRIGERADOR

Estamos orgullosos de nuestra organización de servicio al cliente y la red de técnicos de servicios profesionales que prestan servicio en sus Avanti Productos refrigeradores. Con la compra de su Avanti Products dispositivo, puede estar seguro de que si alguna vez necesita información o asistencia adicional, el equipo de Servicio al Cliente de Avanti Products estará aquí para usted. Sólo tiene que llamar al número gratuito.

Ø [Servicio al Cliente del Avanti Products](#)

<p>Información sobre el producto 800-323-5029</p>	<p>Lo que sus preguntas son acerca de nuestros productos, la ayuda está disponible.</p>
<p>Pedidos de piezas 800-220-5570</p>	<p>Usted puede pedir piezas y accesorios que serán entregados directamente a su casa con un cheque personal, giro postal, Master Card, o Visa.</p>
<p>Servicio de reparación en casa 800-220-5570</p>	<p>Un centro de servicio autorizado de Avanti Products proporcionará el servicio de reparación de expertos, prevista en un momento que sea conveniente para usted. Nuestros técnicos de conocer nuestros productos de adentro hacia afuera.</p>

ESQUEMA DE CABLEADO



C*:The capacitor is optional according to different compressor model
LE CONDENSATEUR EST FACULTATIF SELON LE MODELE DE COMPRESSEUR

SUS GARANTIA DE AVANTI PRODUCTS	Grapa su recibo de compra aquí. Se necesita un comprobante de la fecha de compra original para obtener servicio bajo garantía.
COBERTURA - GARANTÍA LIMITADA DE UN AÑO	
Avanti Products garantiza que el producto está libre de defectos en materiales y / o mano de obra durante un período de doce (12) meses desde la fecha de compra por el propietario original. El tiempo mencionado arriba comienza a ejecutarse a partir de la fecha de compra, y no se puede detener, estar sujeto a derechos, extender o suspender por cualquier motivo no ser que se describe en detalle en el documento de garantía. Durante un año a partir de la fecha de compra por el propietario original, los productos de Avanti, a su elección, reparará o reemplazará cualquier parte del producto que resulta ser defectuosa en material o mano de obra bajo condiciones normales de uso. Avanti Products le proporcionará un producto parecido al original, ya sea nuevo o restaurado de fábrica. Durante este período de Avanti Products proporcionará todas las piezas y mano de obra necesarias para corregir dichos defectos de forma gratuita, siempre y cuando el producto ha sido instalado y operado de acuerdo con las instrucciones escritas en este manual. En el uso de alquiler o comercial, el periodo de garantía es de 90 días. Todos los electrodomésticos de Avanti de 4.2 pies cúbicos de capacidad o menos deben ser llevados / enviado al centro de servicio del electrodoméstico para su reparación.	
SEGUNDO A TRAVÉS DE GARANTÍA LIMITADA DE QUINTO AÑO	
Para el segundo hasta el quinto año desde la fecha de compra original, Avanti Products proporcionará un compresor de reemplazo de forma gratuita debido a un fallo. Usted es responsable de las cargas de trabajo y de carga de servicio. En el uso de alquiler o comercial, la garantía del compresor es limitada a un año y nueve meses. Costos involucrados para mover el producto al centro de servicio y de vuelta a la casa del usuario, como tal requiere, son responsabilidad del usuario.	
EXCLUSIONES DE LA GARANTÍA / ¿Qué no cubre:	
La cobertura de la garantía se describe aquí excluye todos los defectos o daños que no son la responsabilidad directa de los productos de Avanti, incluyendo, sin limitación, uno o más de los siguientes:	
<ul style="list-style-type: none"> · Un incumplimiento de cualquier estado, la localidad, ciudad, condado o instalaciones eléctricas, hidráulicas y / o códigos de construcción, reglamentos o leyes, incluyendo la falta de instalar el producto en estricta conformidad con los códigos y reglamentos contra incendios y de construcción locales. · Cualquier fuerzas y factores, incluyendo, sin limitación, la lluvia, el viento, la arena, inundaciones, incendios, deslizamientos de lodo, temperaturas de congelación, humedad excesiva o la exposición prolongada a la humedad, rayos externos, elementales y / o ambientales, sobretensiones, fallas estructurales alrededor del electrodoméstico y los actos de Dios. 	
<ul style="list-style-type: none"> · las pérdidas de contenido de alimentos o de otros contenidos debido a su deterioro. · Los daños incidentales o consecuentes · Piezas y mano de obra para los siguientes no serán consideradas como garantía: <ul style="list-style-type: none"> · puertas del evaporador, resortes de la puerta, y / o marcos. · paneles interiores de puertas, estantes de la puerta, los carriles de las puertas, y / o soportes de la puerta. · bombillas y / o carcasa de plástico. · revestimientos de plástico del gabinete. · Pinchado evaporador que anula la garantía en el sistema sellado completo. 	<ul style="list-style-type: none"> · Costes de envío asociados a la sustitución de la unidad. · Reparaciones realizadas por servicio sin autorización. · Las llamadas de servicio que están relacionados con los problemas externos, tales como abuso, mal uso, suministro eléctrico inadecuado, accidentes, incendios, inundaciones, o cualquier otro acto de Dios. · Fallas del producto si se utiliza para otra cosa que tenía la intención propósito. · La garantía no se aplica fuera de los EE.UU. continental. · Recargos incluyendo pero no limitado a, cualquier tras hora, llamadas de fin de semana o vacaciones de servicios, peajes, pasajes de transporte o gastos de kilometraje para llamadas de servicio a zonas remotas.
En ningún caso Avanti Products tener ninguna obligación o responsabilidad alguna por daños a la propiedad cercana al electrodoméstico, incluyendo gabinetes, pisos, techos y otras estructuras y / o objetos alrededor del producto. También se excluyen de esta garantía los arañazos, golpes, abolladuras menores, y otros daños cosméticos en superficies externas y partes expuestas; Productos en los que se han alterado los números de serie, dañado o eliminado; visitas de servicio para la educación del cliente, o visitas donde no hay nada mal con el producto; corrección de problemas de instalación (usted es el único responsable de cualquier estructura y entorno para el producto, incluyendo todas las instalaciones eléctricas, de fontanería y / u otras instalaciones de conexión, para la cimentación / pisos adecuados y para alteraciones incluyendo sin limitación gabinetes, paredes, pisos, estanterías etc., así como el reajuste de interruptores o fusibles.	
A PARTIR DEL PRODUCTO GARANTÍA	
Avanti Products no tiene ninguna obligación, por ley o de otro modo, para ofrecerle ninguna concesión, incluidas las reparaciones, pro-tarifas, o el reemplazo del producto, una vez que esta garantía ha expirado.	
GARANTÍA - REFRIGERACIÓN - COMPRESOR	

TABLE DES MATIÈRES

SÉCURITÉ RELATIVE AU RÉFRIGÉRATEUR	29
CONSIGNES DE SÉCURITÉ IMPORTANTES	30
AIDEZ-NOUS À VOUS AIDER...	31
PIÈCES ET CARACTÉRISTIQUES	32
CONSIGNES DE SÉCURITÉ IMPORTANTES	33
INSTRUCTIONS D'INSTALLATION	33
<i>Avant d'utiliser votre réfrigérateur</i>	33
<i>Installation de votre réfrigérateur</i>	33
<i>Connexion électrique</i>	34
<i>Rallonge</i>	34
<i>Parasurtenseur</i>	34
<i>Comment inverser les portes</i>	35
UTILISATION DE VOTRE RÉFRIGÉRATEUR	35
<i>Réglage de la température</i>	35
<i>Lumière intérieure</i>	35
<i>Dégivrage de l'appareil</i>	35
<i>La congélation des aliments frais</i>	36
ENTRETIEN ET MAINTENANCE	36
<i>Nettoyage du réfrigérateur</i>	36
<i>Comment changer l'ampoule</i>	37
<i>Panne de courant</i>	37
<i>Période de vacances</i>	37
<i>Déplacement du réfrigérateur</i>	37
<i>Économiser de l'énergie</i>	37
GUIDE DE DÉPANNAGE	38
SERVICE DU RÉFRIGÉRATEUR	39
DIAGRAMME ÉLECTRIQUE	39
GARANTIE "AVANTI PRODUCTS"	40
ENGLISH INSTRUCTIONS	2-14
INSTRUCCIONES EN ESPAÑOL	15 – 27
ENREGISTREMENT DE LA GARANTIE	43

SÉCURITÉ RELATIVE AU RÉFRIGÉRATEUR

Votre sécurité et celle des autres est très importante.

Nous donnons de nombreux messages de sécurité importants dans ce manuel. Toujours lire et suivre les consignes de sécurité.



C'est le symbole de "sécurité". Ce symbole vous signale les dangers potentiels qui peuvent tuer ou blesser vous et les autres. Tous les messages suivront ce symbole de sécurité soit des mots «DANGER», «AVERTISSEMENT» ou «ATTENTION».



DANGER signifie que la non-observation de cette consigne de sécurité peut entraîner des blessures personnelles ou la mort.



AVERTISSEMENT signifie que le non-respect de cette consigne de sécurité peut entraîner de graves dommages au produit, des blessures graves ou la mort.



ATTENTION signifie que le non-respect de cette consigne de sécurité peut entraîner des blessures mineures ou modérées, des biens ou des dommages matériels.

Tous les messages de sécurité vous alerteront des dangers potentiels et vous disent comment réduire le risque de blessure en sachant ce qui peut arriver si les instructions ne sont pas suivies.

GAZ RÉFRIGÉRANT INFLAMMABLE

DANGER - Risque d'incendie ou d'explosion. Réfrigérant inflammable utilisé. Ne pas utiliser de dispositifs mécaniques pour dégivrer l'appareil. Ne pas percer la tuyauterie contenant le réfrigérant

DANGER - Risque d'incendie ou d'explosion. Réfrigérant inflammable utilisé. Doit être réparé que par du personnel qualifié. Ne pas percer la tuyauterie contenant le réfrigérant.

AVERTISSEMENT - Risque d'incendie ou d'explosion. Réfrigérant inflammable utilisé. Consultez le manuel d'instruction avant d'essayer de réparer ce produit. Toutes les précautions doivent être suivies.

AVERTISSEMENT - Risque d'incendie ou d'explosion. Réfrigérant inflammable utilisé. Défaites-vous du produit conformément à la réglementation fédérale ou locale.

AVERTISSEMENT - Risque d'incendie ou d'explosion dus à la perforation des tuyaux de fluide réfrigérant, suivez attentivement les instructions remises. Réfrigérant inflammable utilisé.

CONSIGNES DE SÉCURITÉ IMPORTANTES



Avant d'utiliser le réfrigérateur, il doit être correctement positionné et installé comme décrit dans ce manuel, tel que mentionné dans ce manuel. Pour réduire le risque d'incendie, de choc électrique ou de blessure lors de l'utilisation du réfrigérateur, suivez les consignes de base, y compris ce qui suit:

DANGER

- Brancher sur une prise à 3 broches mise à la terre; ne pas retirer la broche de mise à la terre; ne pas utiliser un adaptateur, et de ne pas utiliser de rallonge.
- Il est recommandé d'utiliser un circuit séparé pour alimenter votre réfrigérateur uniquement. Utilisez des prises qui ne peuvent être désactivés par un commutateur ou par une chaîne de traction.
- Ne jamais nettoyer avec des liquides inflammables les pièces du réfrigérateur. Ces émanations peuvent provoquer un risque d'incendie ou d'explosion. Ne pas stocker ou utiliser de l'essence ou d'autres vapeurs et liquides inflammables à proximité de cet appareil ou de tout autre appareil. Les émanations peuvent provoquer un risque d'incendie ou d'explosion.
- Avant de procéder aux opérations de nettoyage et d'entretien, assurez-vous que la ligne d'alimentation de l'appareil est débranché.
- Ne pas brancher ou débrancher la prise électrique lorsque vos mains sont humides.
- Débranchez le réfrigérateur ou coupez le courant avant le nettoyage ou l'entretien. Ne pas le faire peut entraîner un choc électrique ou la mort.
- Ne tentez pas de réparer ou de remplacer une partie de votre réfrigérateur à moins qu'il ne soit spécifiquement recommandé dans ce manuel. Toutes les autres réparations doivent être confiées à un technicien qualifié.

WARNING

SUIVRE LES INSTRUCTIONS SUIVANTES LORSQUE S'APPLIQUE AU MODÈLE

- Utiliser deux personnes ou plus pour déplacer et installer le réfrigérateur. Ne pas le faire peut conduire à des blessures au dos ou autres.
- Pour assurer une ventilation appropriée pour votre réfrigérateur, l'avant de l'appareil doit être complètement dégagée. Choisissez un endroit bien aéré avec des températures supérieures à 60° F (16° C) et en dessous de 90° F (32° C). Cet appareil doit être installé dans une zone protégée des éléments, tels que le vent, la pluie, de l'eau pulvérisée ou gouttes.
- Le réfrigérateur ne doit pas être situé à proximité de fours, grilles ou d'autres sources de forte chaleur.
- Le réfrigérateur doit être installé avec toutes les connexions électriques, de l'eau et de drain en conformité avec les codes nationaux et locaux. Une alimentation électrique standard (115 V CA, 60 Hz), mise à la terre conformément au Code national de l'électricité et les codes et règlements locaux est nécessaire.
- Ne pas plier ni coincer le cordon d'alimentation du réfrigérateur.
- La taille fusible (ou disjoncteur) doit être de 15 ampères.
- Il est important pour le réfrigérateur d'être nivelé afin de fonctionner correctement. Vous pouvez avoir besoin de faire plusieurs ajustements.
- Ne jamais laisser les enfants utiliser, jouer avec ou ramper à l'intérieur du réfrigérateur.
- N'utilisez pas de produits de nettoyage à base de solvant d'abrasifs sur l'intérieur. Ces nettoyeurs peut endommager ou décolorer l'appareil.
- Ne pas utiliser cet appareil pour d'autres fins que celles prévues.

AIDEZ-NOUS À VOUS AIDER...

Lisez attentivement le présent guide d'utilisation.

Il a été conçu pour vous aider à utiliser et à entretenir votre nouvel appareil.

Conservez-le à portée de la main pour vous y référer au besoin. Si quelque chose vous échappe ou que vous avez besoin de renseignements supplémentaires, écrivez-nous à :

**Service à la clientèle Avanti
800-220-5570 (Anglais)**

Conservez une preuve originale de la date d'achat (tel que le reçu de caisse) avec le présent guide afin de pouvoir établir la période de garantie.

<p>ATTENTION! LE REFRIGERATEUR N'EST PAS CONÇU POUR L'ENTREPOSAGE DE MÉDICAMENTS OU DE TOUT AUTRE PRODUIT PHARMACEUTIQUE.</p>
--

Inscrivez les numéros de modèle et de série.

Vous les trouverez sur un autocollant situé à l'arrière de l'appareil.

Veillez inscrire ces numéros ci-dessous :

Date d'achat

Numéro de modèle

Numéro de série

Indiquez ces numéros dans toute correspondance ou lors de tout appel de service concernant votre appareil.

Si vous avez reçu un appareil endommagé, avisez-en immédiatement le détaillant qui vous a vendu le cellier.

Économisez temps et argent. Avant de faire appel à nos services, vérifiez la liste des problèmes de fonctionnement mineurs faciles à résoudre dressée dans le présent guide.

Pour toute assistance

Nous sommes fiers de notre service et désirons votre entière satisfaction. Si, pour une quelconque raison, vous n'êtes pas satisfaits du service, voici quelques étapes à suivre pour obtenir une aide supplémentaire.

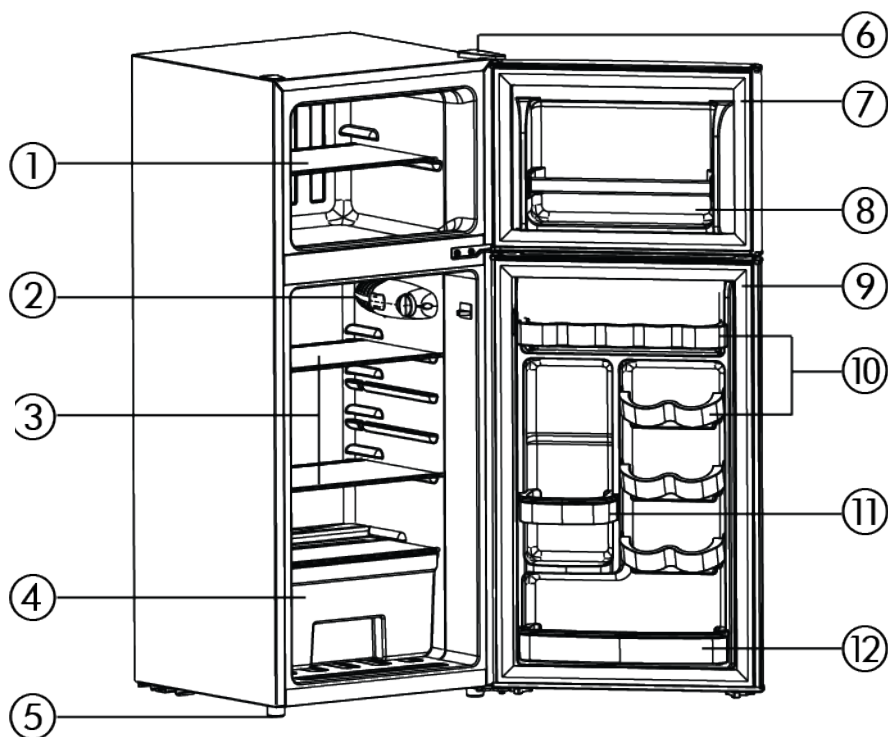
Tout d'abord, communiquez avec le service de réparation avec lequel vous avez fait affaire. Expliquez les raisons de votre insatisfaction. Dans la plupart des cas, cela résoudra le problème.

Ensuite, si vous n'êtes toujours pas satisfait, consignez tous les détails par écrit, accompagnés de votre numéro de téléphone, et envoyez-les à :

En anglais:

Avanti Products - Customer Service
10880 NW 30th Street
Miami, FL, USA
33172

PIÈCES ET CARACTÉRISTIQUES



1	TABLETTE DU CONGÉLATEUR (FIL)	7	PORTE DU CONGÉLATEUR
2	CONTRÔLE DE LA TEMPÉRATURE	8	PANIER DE PORTE
3	TABLETTES DU RÉFRIGÉRATEUR (TOTAL 2) (VERRE)	9	PORTE DU RÉFRIGÉRATEUR
4	BACS À LÉGUMES AVEC COUVERCLE EN VERRE	10	PANIER DE PORTE
5	PATTES AJUSTABLES	11	PANIER POUR BOUTEILLE DE 2L
6	CHARNIÈRE SUPÉRIEURE	12	PANIER DE PORTE

CONSIGNES DE SÉCURITÉ IMPORTANTES

~ AVERTISSEMENT ~	Pour diminuer les risques d'incendie, d'électrocution ou d'accident pendant l'utilisation de votre réfrigérateur, veuillez suivre les mesures de sécurité suivantes :
--------------------------	---

Cette unité est à usage intérieur uniquement - CONSERVEZ CES INSTRUCTIONS -

- Veuillez lire toutes les instructions avant d'utiliser l'appareil.
- **DANGER ou AVERTISSEMENT** : Les risques d'enfermement ou de suffocation pour les enfants demeurent une réalité. Les appareils abandonnés ou jetés demeurent un danger, même s'ils ne sont placés dans le garage que pour quelques jours.
- **Avant de jeter votre ancien appareil**, enlevez les portes et laissez les tablettes à leur place afin que les enfants ne puissent pas se glisser facilement à l'intérieur.
- Ne laissez pas d'enfants jouer avec l'appareil.
- Ne nettoyez jamais les pièces de l'appareil avec des liquides inflammables. Les vapeurs provoquées par ces liquides risquent de déclencher un incendie ou une explosion dangereuse.
- Ne placez pas l'appareil près d'essence ou de tout autre produit liquide ou gazeux inflammable. La fumée que ces produits dégagent pourrait déclencher un incendie ou une explosion dangereuse.

INSTRUCTIONS D'INSTALLATION

Avant d'utiliser votre réfrigérateur

- Retirez l'emballage extérieur et l'intérieur.
- Assurez-vous que vous disposez de tous les éléments suivants:
 - 2 tablettes de réfrigérateur en verre
 - 1 tablette de congelateur en fil
 - 1 Bacs à légumes avec couvercle en verre
 - Manuel d'instruction
- Avant de brancher le réfrigérateur de votre réfrigérateur à la source d'alimentation, veuillez le laisser en position verticale pendant **environ 2 heures**. Cela permettra de réduire la possibilité d'une anomalie dans le système de refroidissement du réfrigérateur lors de la manutention ou pendant le transport.
- Nettoyez la surface intérieure avec de l'eau tiède avec un chiffon doux.

Installation de votre réfrigérateur

- Placez votre appareil sur un plancher qui est assez solide pour supporter l'appareil quand il est entièrement chargé. Réglez les pieds de nivellement au bas pour mettre l'appareil niveau.
- Laissez un espace entre l'arrière et les côtés de l'appareil, qui permettra la circulation de l'air pour refroidir le compresseur et le condenseur.
- Éloignez l'appareil des rayons du soleil et des sources de chaleur (poêle, radiateur, radiateur, etc.) La lumière directe du soleil peut affecter le revêtement acrylique et les sources de chaleur peut augmenter la consommation électrique. Des températures ambiantes extrêmement froides peuvent aussi causer des problèmes de fonctionnement.
- Évitez de placer l'appareil dans une zone humide.
- Après avoir branché l'appareil dans une prise murale, laissez-le refroidir pendant 2-3 heures avant de placer des aliments dans les compartiments du réfrigérateur.

Connexion électrique

~ ATTENTION ~

Une mauvaise connexion de la mise à la terre peut entraîner un risque de choc électrique. Si le cordon d'alimentation des éléments ou du réfrigérateur est endommagé, veuillez le faire remplacer par un centre de service autorisé de produits Avanti.

Cet appareil doit être correctement mis à la terre pour votre sécurité. Le cordon d'alimentation de cet appareil est équipé d'une fiche à trois broches qui s'accouple avec des prises murales à trois broches afin de minimiser le risque de choc électrique.

En aucun cas couper ou enlever la troisième broche de terre du cordon d'alimentation fourni. Pour votre sécurité, cet appareil doit être correctement mis à la terre.

Cet appareil nécessite une alimentation électrique de 115/120 volts CA ~ / 60Hz standard, et reliée à un circuit de dérivation à la terre, protégé par un disjoncteur de 15 ampères circuit ou à un fusible de retardement. Quand une prise de courant de 2 broches doit être utiliser, il est de votre responsabilité et de votre obligation de la faire remplacer par une prise murale à 3 broches mise à la terre.

Le cordon doit être fixé derrière l'appareil. Pour éviter toute blessure accidentelle du cordon ne peut pas être laissé exposé ou qui pendent

L'appareil doit toujours être branché dans sa propre prise électrique qui a une tension qui correspond à l'étiquette apposée sur l'appareil. Ceci permet d'obtenir de meilleures performances et aussi de prévenir une surcharge des circuits de câblage de la maison qui pourraient causer un risque d'incendie de surchauffe. Ne jamais débrancher l'appareil en tirant sur le cordon d'alimentation. Tenez toujours la fiche fermement et tirer tout droit sorti de la prise. Réparez ou remplacez immédiatement tous les cordons d'alimentation effilochés ou endommagés. Ne pas utiliser un cordon qui présente des fissures ou une usure sur sa longueur ou à chaque extrémité. Lorsque vous déplacez l'appareil, veillez à ne pas endommager le cordon d'alimentation.

Rallonge

En raison des dangers potentiels qu'elles présentent dans certaines circonstances, il est fortement recommandé de ne pas utiliser de rallonge avec cet appareil. Cependant, s'il est nécessaire d'en utiliser une, il est indispensable qu'elle soit homologuée par la CSA/CUL/UL de 115 volts, à trois conducteurs avec prise triphasée mise à la terre et d'au moins 10 ampères.

Parasurtenseur

La plupart des appareils électriques utilisent une série de panneaux de commande électrique pour fonctionner. Ces panneaux sont très sensibles aux surtensions et pourraient être endommagés ou détruits.

Si l'appareil va être utilisé dans une zone ou si votre ville / pays est sujette à des surtensions / pannes; il est suggéré que vous utilisez un parasurtenseur pour tous les dispositifs / appareils électriques que vous utilisez. Le parasurtenseur que vous sélectionnez doit avoir un bloc de poussée suffisamment élevé pour protéger l'appareil auquel il est connecté. Si vous avez des questions concernant le type et la taille de parasurtenseur nécessaire, contactez un électricien agréé dans votre région.

Les dommages dus à des surtensions ne sont pas considérés comme un défaut de fabrication couvert et annulera la garantie de votre produit.

Comment inverser les portes

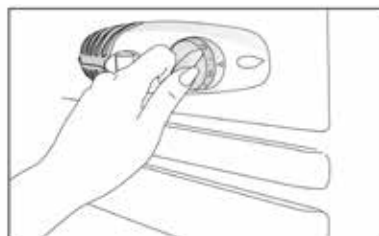
Ce réfrigérateur-congélateur a la capacité de pouvoir ouvrir les portes de la gauche ou de la droite. L'appareil est livré avec les portes ouvrant sur le côté gauche. Si vous désirez inverser le sens d'ouverture, s'il vous plaît appelez le service après-ventes.

UTILISATION DE VOTRE RÉFRIGÉRATEUR

Réglage de la température

Votre unité ne dispose que d'une commande de réglage de la température dans le compartiment. Le contrôle de température est situé sur le côté supérieur droit du compartiment d réfrigérateur

La première fois que vous allumerez l'appareil, réglez la température à "7". La plage du réglage de la température est de la position "0" à "7". Après 24 à 48 heures, réglez la température à celle qui convient le mieux à vos besoins. Le réglage à "5" devrait être appropriée pour la maison ou le bureau .



Pour éteindre l'appareil, tournez le contrôle de la température à "0".

NOTE:

- Régler le contrôle de la température à la position «0» arrête le cycle de refroidissement, mais ne coupe pas le courant de l'unité.
- Si l'appareil est débranché, a perte de puissance, ou est éteint, vous devez attendre 3 à 5 minutes avant de redémarrer l'unité. Si vous essayez de redémarrer avant ce délai, l'unité ne démarre pas.

Lumière intérieure

Lorsque vous ouvrez la porte, la lumière s'allume automatiquement. Lorsque vous fermez la porte la lumière s'éteint automatiquement.

Dégivrage de l'appareil

Quand? Pour une intervention plus efficace et une consommation d'énergie minimale, dégivrer le congélateur lorsque le givre sur les parois de l'appareil est excessive ou dépasse ¼ de pouce d'épaisseur.

Il n'est pas nécessaire de dégivrer le compartiment réfrigérateur car le dépôt de glace sur la paroi arrière intérieure se dégivre automatiquement. La glace peut se déposer sur la paroi arrière intérieure au cours du fonctionnement du compresseur. Plus tard, lorsque le compresseur ne fonctionne pas, la glace décongelée et les gouttes d'eau collectés sont évacuer par la sortie dans la paroi arrière intérieure dans le bac de récupération situé au-dessus du compresseur, d'où s'évapore le tout.

Comment?

- Régler le thermostat à la position "0" et débrancher l'alimentation.
- Retirez les aliments congelés de l'appareil et les placer dans une glacière pour les protéger.
- Laisser la porte ouverte pendant un certain temps afin que de pouvoir facilement retirer la glace.
- Utilisez un grattoir en plastique. Faites attention à ne pas endommager les surfaces internes du congélateur.
- Essuyez le givre et la glace raclée avant qu'elle soit complètement décongelée.

ATTENTION: Ne pas utiliser de l'eau bouillante, car il peut endommager les pièces en plastique. En outre, ne jamais utiliser un instrument pointu ou métallique pour enlever le givre car cela pourrait endommager les serpentins de refroidissement et annulera la garantie. Nous vous recommandons d'utiliser un grattoir en plastique.

La congélation des aliments frais

- L'utilisation de l'appareil, l'emballage des aliments, la température et les précautions d'hygiène influenceront sensiblement la qualité de la congélation de la nourriture ou du stockage des aliments surgelés.
- Le congélateur est conçu pour le stockage à long terme de denrées alimentaires congelées.
- La durée de conservation des aliments congelés varie et le temps de conservation ne doit pas être dépassée.
- Les aliments pré-emballés commercialement congelé doit être stocké conformément aux instructions du fabricant.
- Placez les aliments congelés dans le congélateur le plus rapidement possible après l'achat. Si il y a des instructions sur le paquet, suivez attentivement les instructions concernant les délais de stockage.
- Sélectionnez avec soin les aliments que vous souhaitez geler, ils devrait être de bonne qualité et adaptés à la congélation.
- Utiliser un emballage adéquat et l'enrouler serré.
- L'emballage doit être étanche et ne doit pas fuir car cela pourrait entraîner une perte de vitamine importante et la déshydratation des aliments.
- Les feuilles et les sacs doivent être suffisamment souple pour envelopper étroitement autour des aliments.
- Lors de la préparation des aliments à congeler, envisager des précautions sanitaires.
- Indiquez sur les paquets de données suivantes: type d'aliments, quantité et la date de la congélation.
- Il est extrêmement important que la nourriture soit congelée le plus rapidement possible.
- Si la quantité de charge est trop grande, la qualité du gel est réduite, ce qui affecte la qualité des aliments congelés.

ENTRETIEN ET MAINTENANCE

Ø

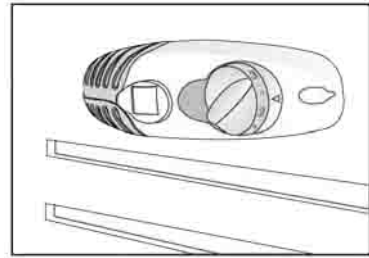
Nettoyage du réfrigérateur

- Réglez la température à "0", débranchez l'appareil et enlever la nourriture, les étagères et les plateaux.
- Lavez les surfaces intérieures avec une solution de bicarbonate de soude et d'eau chaude. La solution devrait être d'environ 2 cuillères à soupe de bicarbonate de soude pour un litre d'eau.
- Lavez les tablettes et les plateaux avec une solution de détergent doux.
- L'extérieur de l'appareil doit être nettoyé avec un détergent doux et de l'eau chaude.
- Essorez l'éponge ou le chiffon avant de nettoyer la zone des commandes ou les pièces électriques.
- Lavez l'extérieur du caisson avec de l'eau tiède et un détergent liquide doux. Rincez bien et séchez avec un chiffon doux et propre.

ATTENTION: Ne pas débrancher l'appareil pourrait provoquer un choc électrique ou blessures.

Comment changer l'ampoule

- Débranchez le cordon d'alimentation du mur.
- Retirez la vis qui retient le couvercle de l'ampoule.
- Retirez le couvercle de l'ampoule.
- Dévissez l'ampoule.
- Remplacer par une ampoule de 10 watts C'est la même forme et la taille.
- Remettre le couvercle de l'ampoule et replacez le couvercle de l'ampoule, replacez la vis et fixez le couvercle de l'ampoule.



Ø Panne de courant

Les coupures de courant sont corrigées en quelques heures et ne devraient pas affecter la température de votre réfrigérateur si vous réduisez le nombre de fois que la porte est ouverte. Si le courant est interrompu pour une période de temps plus longue, vous devez prendre les mesures appropriées pour protéger le contenu.

Ø Période de vacances

Courtes vacances: Laissez le réfrigérateur fonctionner pendant des congés de moins de trois semaines.

Longues vacances: Si l'appareil ne sera pas utilisé pendant plusieurs mois, retirez tous les aliments et éteignez l'alimentation. Nettoyez et séchez soigneusement l'intérieur. Pour éviter les odeurs et la croissance des moisissures, laissez la porte entrouverte (bloquer en position ouverte si nécessaire).

Déplacement du réfrigérateur

- Retirez tous les aliments.
- Fixez solidement toutes les pièces détachables à l'intérieur de votre appareil.
- Tourner les pattes de nivellement au plus bas pour éviter les dommages.
- Mettez du ruban adhésif sur la porte pour la fermer.
- Assurez-vous que l'appareil reste bloqué en position verticale pendant le transport. Protégez également l'extérieur de l'unité avec une couverture, ou un objet similaire.

Économiser de l'énergie

- L'appareil doit être situé dans la zone la plus fraîche de la pièce, loin des appareils produisant de la chaleur et de la lumière directe du soleil.
- Laissez les aliments chauds refroidir à température ambiante avant de le placer dans l'appareil. Surcharger l'unité oblige le compresseur à fonctionner plus longtemps.
- Assurez-vous de bien emballer les aliments et essuyez les contenants avant de les placer dans l'appareil. Cela réduit l'accumulation de givre à l'intérieur de l'appareil.
- Le bac de stockage de l'unité ne doit pas être garni de papier d'aluminium, de papier ciré ou de papier essuie-tout. Les revêtements entravent la circulation de l'air froid, ce qui rend l'appareil moins efficace.
- Organiser et étiqueter les aliments pour réduire les ouvertures de porte et les recherches prolongées. Retirez autant d'articles que nécessaire à un moment donné, et fermer la porte dès que possible.

GUIDE DE DÉPANNAGE

Vous pouvez facilement résoudre plusieurs des problèmes courants de votre appareil et vous épargner ainsi des frais de service. Essayez les suggestions ci-dessous qui s'appliquent à votre situation avant de faire appel à un professionnel.

PROBLÈMES	CAUSE POSSIBLE
Le réfrigérateur ne fonctionne pas.	Il n'est pas branché Le disjoncteur s'est déclenché ou un fusible grillé. La température de l'appareil est fixé à la position "0".
S'allume et s'éteint fréquemment.	La température ambiante est plus chaud que la normale. Une grande quantité de nourriture a été ajoutée à l'unité. La porte est ouverte trop souvent. La porte n'est pas complètement fermée. Le contrôle de la température n'est pas réglée correctement. Le joint de la porte n'est pas étanche. L'appareil ne possède pas les dégagements corrects.
La lumière ne fonctionne pas.	Le disjoncteur de la maison ou le fusible a sauté. Le réfrigérateur est débranché. L'ampoule a grillé (voir la section de maintenance pour la procédure de remplacement).
Vibrations.	Vérifiez si l'appareil est bien de niveau.
Le réfrigérateur semble faire trop de bruit.	Ce bruit peut provenir de l'écoulement du fluide frigorigène, ce qui est normal. À la fin de chaque cycle, vous pouvez entendre des gargouillis provenant du fluide qui circule dans votre unité. La contraction et l'expansion des parois internes peuvent produire des craquements L'unité n'est pas de niveau.
La porte ne se ferme pas correctement.	L'unité n'est pas de niveau. La porte a été renversée et pas installé correctement. Le joint est sale ou tordu. Les tablettes, bacs ou paniers sont hors de position.

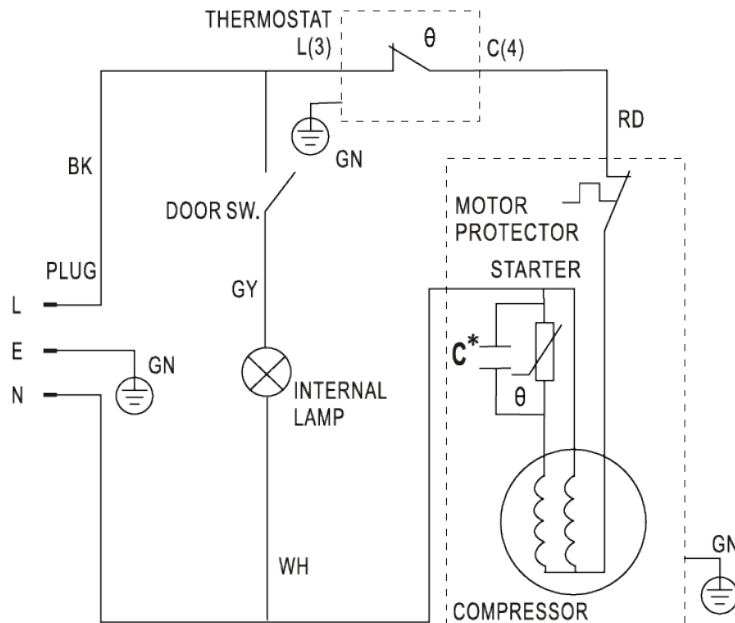
SERVICE DU RÉFRIGÉRATEUR

Nous sommes fiers de notre service à la clientèle et du réseau de techniciens professionnels qui offrent des services sur les produits Avanti. Avec l'achat de votre appareil Avanti, vous pouvez être sûr que si vous avez besoin d'informations ou d'aide, l'équipe du service à la clientèle Avanti sera là pour vous. Appelez-nous sans frais.

Service à la clientèle Avanti

<p><u>Informations sur les produits</u></p> <p>Anglais: 800-323-5029</p>	<p>Quel que soit votre question à propos de nos produits, nous sommes disponible.</p>
<p><u>Commande de pièces</u></p> <p>Anglais: 800-220-5570</p>	<p>Vous pouvez commander des pièces et accessoires qui seront livrés directement à votre domicile par chèque personnel, mandat, Master Card ou Visa.</p>
<p><u>Réparation à domicile</u></p> <p>Anglais: 800-220-5570</p>	<p>Un centre de service autorisé Avanti fournira un service de réparation professionnel, prévue à un moment qui vous convient. Nos réparateurs formés connaissent votre réfrigérateur de fond en comble.</p>

DIAGRAMME ÉLECTRIQUE



C*:The capacitor is optional according to different compressor model
 LE CONDENSATEUR EST FACULTATIF SELON LE MODELE DE COMPRESSEUR

VOS AVANTI PRODUCTS GARANTIE	Staple votre reçu de vente ici. Preuve de la date d'achat originale est nécessaire pour obtenir un service sous garantie.
<p>CE QUI EST COUVERT - GARANTIE LIMITÉE D'UN AN Avanti Products garantit que le produit est exempt de défauts de matériaux et / ou de fabrication pour une période de douze (12) mois à compter de la date d'achat par le propriétaire initial. La durée commence à courir à la date d'achat, et ne sera pas retardée, restreinte, prolongée ou suspendu pour quelque raison que ce soit, sauf si décrit en détail dans le document de garantie. Pendant un an à compter de la date d'achat par le propriétaire d'origine, les produits Avanti seront, à sa discrétion, réparer ou remplacer toute partie du produit qui se révèle être un défaut de matériau ou de fabrication dans une utilisation normale. Avanti Products vous fournira un produit raisonnablement semblable nouveau ou remis à neuf. Au cours de cette période Avanti Products fournira toutes les pièces et la main-d'œuvre nécessaires pour corriger ces défauts gratuitement, aussi longtemps que le produit a été installé et utilisé conformément aux instructions écrites dans ce manuel. En usage locatif ou commercial, la période de garantie est de 90 jours. Tous les appareils de Avanti 4,2 pieds cubes la capacité ou moins doivent être traduits / envoyé au centre de service de l'appareil pour la réparation.</p>	
<p>DEUXIÈME LIMITÉE À LA CINQUIÈME ANNÉE GARANTIE Pour la deuxième à la cinquième année à partir de la date d'achat originale, Avanti Products fournira un compresseur de remplacement gratuit en raison d'un échec. Vous êtes responsable de la main-d'œuvre et de fret de service. En usage locatif ou commercial, la garantie du compresseur est limitée à un an et neuf mois. Les coûts impliqués pour déplacer le produit au centre de service et de retour à la maison de l'utilisateur, comme peut-être nécessaire, sont à la charge de l'utilisateur.</p>	
<p>EXCLUSIONS DE LA GARANTIE / NON COUVERTS: La couverture de la garantie décrite ici exclut tous les défauts ou les dommages qui ne sont pas la faute directe de Avanti Products, y compris, sans limitation, un ou plusieurs des éléments suivants:</p>	
<ul style="list-style-type: none"> • Un non-respect de tout État applicable, local, ville, ou du comté électricité, plomberie et / ou des codes du bâtiment, des règlements ou des lois, y compris le défaut d'installer le produit en stricte conformité avec le feu et les codes du bâtiment et les règlements locaux. • Les forces externes, élémentaires et / ou l'environnement et les facteurs, y compris, sans s'y limiter, la pluie, le vent, le sable, les inondations, les incendies, les coulées de boue, des températures de congélation, l'humidité excessive ou à une exposition prolongée à l'humidité, la foudre, les surtensions, les défaillances structurelles entourant l'appareil, et les actes de Dieu. 	
<ul style="list-style-type: none"> • les pertes de contenu de la nourriture ou d'autres contenus en raison de la détérioration. • Les dommages accessoires ou consécutifs • Pièces et coûts de main-d'œuvre pour les éléments suivants ne seront pas considérés comme garantie: <ul style="list-style-type: none"> • portes évaporateurs, ressorts de la porte, et / ou des cadres. • panneaux intérieurs de portes, des étagères de porte, rails de porte, et / ou supports de porte. • bacs végétales. • Les ampoules et / ou boîtier en plastique. • doublures d'armoires en plastique. • Punctured évaporateur annule la garantie sur le système scellé complet. 	<ul style="list-style-type: none"> • Les frais de transport et de manutention associés au remplacement de l'unité. • Les réparations effectuées par réparateurs non autorisés. • Les appels de service qui sont liés à des problèmes externes, tels que l'abus, l'alimentation électrique inadéquate, les accidents, les incendies, les inondations, ou tout autre acte de Dieu. • Une panne du produit si elle est utilisée pour autre chose que son intention but. • La garantie ne couvre pas en dehors de la Continental USA. • Surtaxes, y compris mais sans s'y limiter, toute après heure, les appels week-end, ou de services de vacances, les péages, les frais de voyage de convoyage ou les frais de kilométrage pour les appels de service dans les régions éloignées.
<p>En aucun cas, Avanti Products toute responsabilité ou responsabilité pour les dommages aux biens environnants, y compris les armoires, les planchers, les plafonds, et d'autres structures et / ou des objets autour du produit. Sont également exclus de cette garantie sont les égratignures, les entailles, les bosses mineures, et d'autres dommages esthétiques sur les surfaces externes et les parties exposées; Produits dont les numéros de série ont été modifiés, effacés ou supprimés; visites de service pour l'éducation à la clientèle, ou des visites où il n'y a rien de mal avec le produit; correction des problèmes d'installation (vous êtes seul responsable de toute structure et réglage pour le produit, y compris tous les systèmes électriques, de plomberie et / ou d'autres installations de raccordement, pour le bon plancher / fondation, et pour toute modification, y compris sans s'y limiter les armoires, les murs, les planchers, les étagères etc., ainsi que la remise à zéro des disjoncteurs ou fusibles.</p>	
<p>HORS DE LA GARANTIE DU PRODUIT Avanti Products est soumis à aucune obligation, en droit ou autrement, de vous fournir toutes les concessions, y compris les réparations, les pro-taux, ou le remplacement du produit, une fois la garantie expirée.</p> <p style="text-align: right;"><small>GARANTIE - REFRIGERATION - COMPRESSEUR</small></p>	

Registration Information

Thank you for purchasing this fine Avanti product. Please fill out this form and return it to the following address within 100 days from the date of purchase and receive these important benefits:

Avanti Products, LLC.
P.O.Box 520604 – Miami, Florida 33152

Protect your product:

We will keep the model number and date of purchase of your new Avanti product on file to help you refer to this information in the event of an insurance claim such as fire or theft.

Promote better products:

We value your input. Your responses will help us develop products designed to best meet your future needs.

------(detach here)-----

Avanti Registration Card

Name	Model #	Serial #
Address	Date Purchased	Store / Dealer Name
City State Zip	E-mail Address	
Area Code Phone Number	Occupation	
Did You Purchase An Additional Warranty	As your Primary Residence, Do You:	
<input type="checkbox"/> Extended <input type="checkbox"/> None	<input type="checkbox"/> Own <input type="checkbox"/> Rent	
Reason for Choosing This Avanti Product: Please indicate the most important factors That influenced your decision to purchase this product:	Your Age:	
<input type="checkbox"/> Price <input type="checkbox"/> Product Features <input type="checkbox"/> Avanti Reputation <input type="checkbox"/> Product Quality <input type="checkbox"/> Salesperson Recommendation <input type="checkbox"/> Friend / Relative Recommendation <input type="checkbox"/> Warranty <input type="checkbox"/> Other: _____	<input type="checkbox"/> under 18 <input type="checkbox"/> 18-25 <input type="checkbox"/> 26-30 <input type="checkbox"/> 31-35 <input type="checkbox"/> 36-50 <input type="checkbox"/> over 50	
Comments:	Marital Status: <input type="checkbox"/> Married <input type="checkbox"/> Single	
	Is This Product Used In The: <input type="checkbox"/> Home <input type="checkbox"/> Business	
	How Did You Learn About This Product: <input type="checkbox"/> Advertising <input type="checkbox"/> In-Store Demo <input type="checkbox"/> Personal Demo	

RA45B0W SERIES 02082018

PRINTED IN CHINA