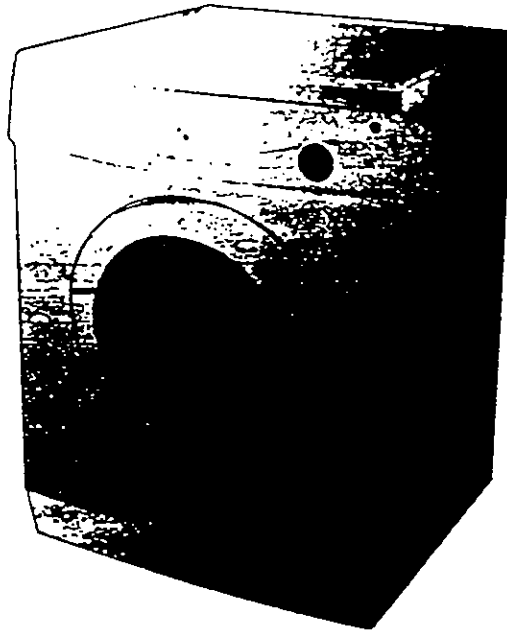


Avanti[®]

WASHING MACHINE
OWNER'S MANUAL

MODEL NUMBER: W1092F



CAUTION:

BEFORE USE, PLEASE READ AND FOLLOW ALL SAFETY RULES AND OPERATING INSTRUCTIONS. SAVE THIS INSTRUCTIONS.

Avanti has a policy of continuous improvement on its products and reserves the right to change materials and specifications without notice.

Avanti Products
P.O. Box 520604 - Miami, Florida 33152
www.avantiproducts.com

Warranty Information

Thank you for purchasing this fine Avanti product. Please fill out this card and return it within 100 days of purchase and receive these important benefits:

- > **Confirm your warranty:**
Your prompt product registration confirms your right to the protection available under the terms and conditions of your Avanti warranty.
- > **Protect your product:**
We will keep the model number and date of purchase of your new Avanti product on file to help you refer to this information in the event of an insurance claim such as fire or theft.
- > **Promote better products:**
We value your input. Your responses will help us develop products designed to best meet your future needs.

----- (detach here) -----

Avanti Registration Card

Name _____			Model # _____		Serial # _____		
Address _____			Date Purchased _____		Store/Dealer Name _____		
City _____		State _____		Zip _____		Occupation _____	
Area Code _____		Phone Number _____		As Your Primary Residence, Do You:			
				<input type="checkbox"/> Own		<input type="checkbox"/> Rent	

Did You Purchase An Additional Warranty:

Extended None

Reason For Choosing This Avanti Product:

Please indicate the most important factors that influenced your decision to purchase this product.

- Price
- Product Features
- Avanti Reputation
- Product Quality
- Salesperson Recommendation
- Friend/Relative Recommendation
- Warranty
- Other _____

Your Age:

under 18 18-25 26-30
 31-35 36-50 over 50

Marital Status:

Married Single

Is This Product Used In The:

Home Business

How Did You Learn About This Product:

Advertising Product Features
 In Store Demo Personal Demo
 Other _____

Comments _____

HELP US HELP YOU...

Read this guide carefully.

It is intended to help you operate and maintain your new appliance properly.

Keep it handy to answer your questions.
If you don't understand something or you need more help, please call:

**Avanti Customer Service
800-220-5570**

Keep proof of original purchase date (such as your sales slip) with this guide to establish the warranty period.

Write down the model and serial numbers.

You'll find them on a plate located on the back wall of the appliance.

Please write these numbers here:

Date of Purchase

Model Number

Serial Number

Use these numbers in any correspondence or service calls concerning your appliance.

If you received a damaged appliance, immediately contact the dealer (or builder) that sold you the appliance.

Save time and money. Before you call for service, check the Troubleshooting Guide. It lists causes of minor operating problems that you can correct yourself.

IF YOU NEED SERVICE

We're proud of our service and want you to be pleased. If for some reason you are not happy with the service you receive, here are some steps to follow for further help.

FIRST, contact the people who serviced your appliance. Explain why you are not pleased. In most cases, this will solve the problem.

NEXT, if you are still not pleased, write all the details, including your telephone number, and send to:

**Customer Service
Avanti Products
10880 NW 30 Street
Miami, FL 33172**

PARTS AND FEATURES

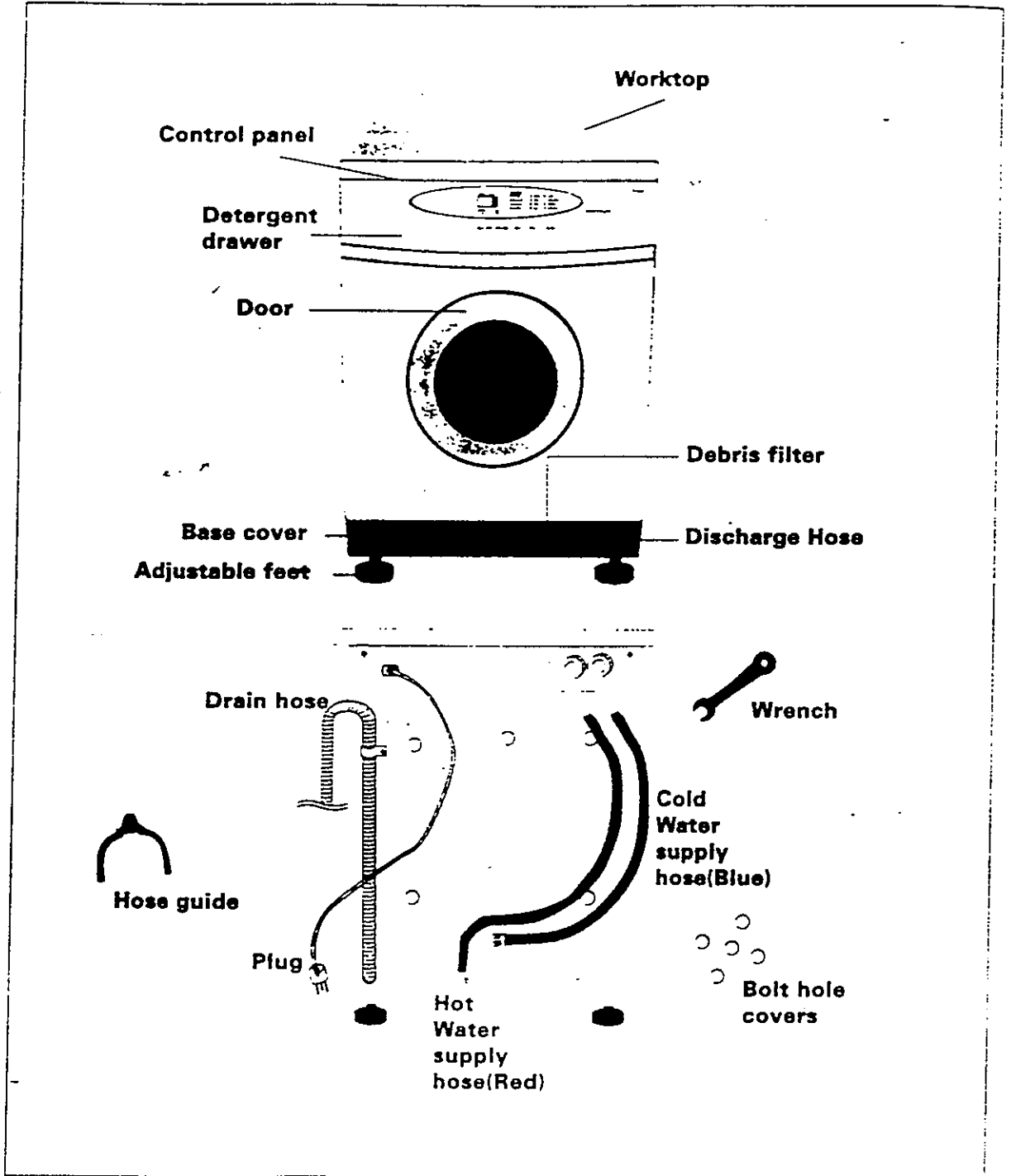


TABLE OF CONTENTS

Warranty Information And Registration Card	2
Help Us Help You	3
Parts And Features	4
Important Safety Instructions	6
Installation Instructions	6
Before Using Your Appliance	6
Selecting A Location	6
Adjusting The Leveling Legs	7
Removing The Shipping Bolts	7
Connecting The Water Supply Hose	7
Positioning The Drain Hose	8
Electrical Connection	8
Control Panel	9
Operation Instructions	10
Washing For The First Time	10
Washing With Fuzzy Logic	10
Setting Prewash	11
Washing Clothes Manually	11
Using Delay Start	11
Washing Tips And Hints	12
Care And Maintenance	13, 14
Troubleshooting Guide	15
Your Avanti Products Warranty	16
Service For Your Washer	16
Parts Breakdown	17-22
Parts List	17-22
Wiring Diagram	23

Important Safety Instructions



WARNING ⚡

To reduce the risk of fire, electrical shock, or injury when using your appliance, follow these basic precautions:

- Read all instructions before using the appliance.
- **DANGER or WARNING:** Risk of child entrapment.
- Child entrapment and suffocation are not problems of the past. Junked or abandoned appliances are still dangerous. . . even if they will "just sit in the garage a few days."
- **Before you throw away your old appliance:** Take off the door so that children may not easily climb inside.
- Never allow children to operate, play with, or crawl inside the appliance.
- Never clean appliance parts with flammable fluids. The fumes can create a fire hazard or explosion.
- Do not place the washer in steamy rooms or where the washer is directly exposed to rain. Moisture may destroy the electrical insulation causing an electrical shock hazard.
- During spinning, don't put your hand in the spin basket. Because the spin basket is rotating at high speed, rotating parts may injure your hand.
- Do not store or use gasoline or any other flammable vapors and liquids in the vicinity of this or any other appliance. The fumes can create a fire hazard or explosion.

-Save these instructions-

INSTALLATION INSTRUCTIONS

> Before Using Your Appliance

- Remove the exterior and interior packing.
- Check to be sure you have all of the following parts:
 - Hot Water Supply Hose (Red)
 - Cold Water Supply Hose (Blue)
 - Drain Hose (Pump)
 - Hose Guide
 - 5 Plastic covers
 - 1 wrench
 - Instruction Manual
- Clean the interior surface with lukewarm water using a soft cloth.
- Allow 5 inches of space between the back and sides of the appliance.
- Put your laundry into the washer evenly. Uneven laundry may cause noise or vibration.
- Don't use excessively hot water (50°C or more). Plastic parts may be deformed or damaged. Also, clothing may be deformed or bleached.
- Before washing, check all pockets. If nails or pins remain in pockets, they may damage the washer or clothes.
- Never splash water on the control panel.
- Plug the washer into an exclusive properly installed-grounded wall outlet. Do not under any circumstances cut or remove the third (ground) prong from the power cord. Any questions concerning power and or grounding should be directed toward a certified electrician.

> Selecting a Location

Before you install the washing machine, select a location with the following characteristics:

- A hard level surface (if the surface is uneven, see "Adjusting the leveling legs," below).
- Away from direct sunlight. Direct sunlight may affect the acrylic coating, plastic and electrical components.
- Adequate ventilation
- Room temperature that will not fall below 0°C.
- Away from sources of heat such as coal or gas. Make sure that the washing machine does not stand on its power cord. Ventilation openings must not be obstructed by carpeting when the washing machine is installed on a carpeted floor.

INSTALLATION INSTRUCTIONS

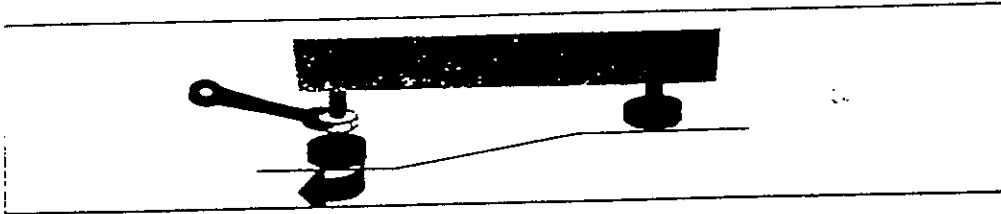
➤ Adjusting The Leveling Legs

If the floor is uneven adjust the legs (do not insert pieces of wood, or any other objects under the legs).

- Loosen the leg bolt by turning it with your hand until it is at the desired height.
- Tighten the locking nut by turning it with the supplied wrench.

Place the washer on a sturdy flat surface.

If the washer is placed on an uneven or weak surface, noise or vibration occurs. (Allowable is 1")

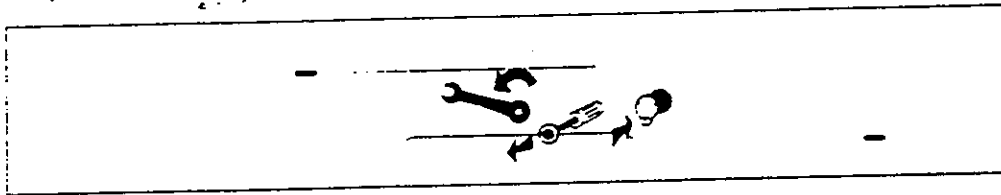


➤ Removing The Shipping Bolts

Before using the washing machine, you must remove the five shipping bolts from the back of the unit.

To remove the bolts:

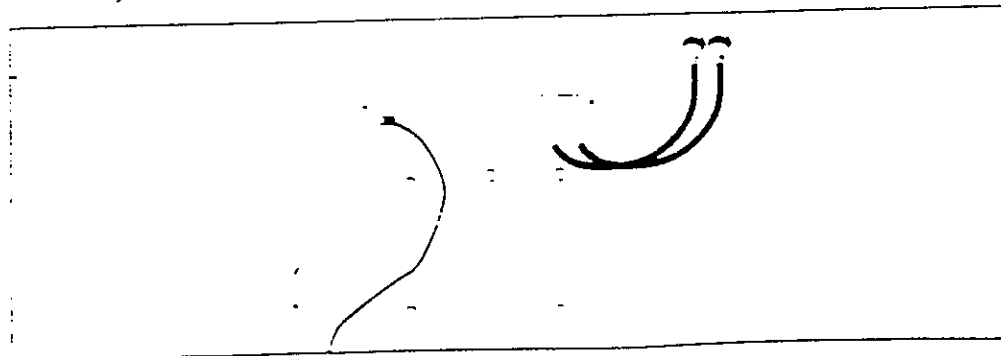
- Loosen all bolts with the supplied wrench before removing them.
- Take each bolt head and pull it through the wide part of the hole. Repeat for each hole.
- Fill the holes with the supplied plastic covers.
- Keep the shipping bolts for future use.



➤ Connecting The Water Supply Hose

The water supply hose must be connected to the washing machine at one end and to the water faucet at the other. Do not stretch the water supply hose. If the hose is too short and you do not wish to move the water faucet, replace the hose with a longer, high-pressure hose.

1. Connect the cold water supply hose (Blue) fitting with the L-shaped arm to the cold water supply intake (Blue) on the back of the washing machine and tighten manually.
2. Connect the other end of the cold water supply hose at the washing machine end by loosening the fitting, rotating the hose, and retightening the fitting.
3. Connect the hot water supply hose (Red) fitting with the L-shaped arm to the hot water supply intake (Red) on the back of the washing machine and tighten manually.
4. Connect the other end of the hot water supply hose to your sink's hot water faucet and tighten manually.



> Positioning the Drain Hose

The end of the drain hose may be positioned in three ways:

Over The Edge of A Sink.

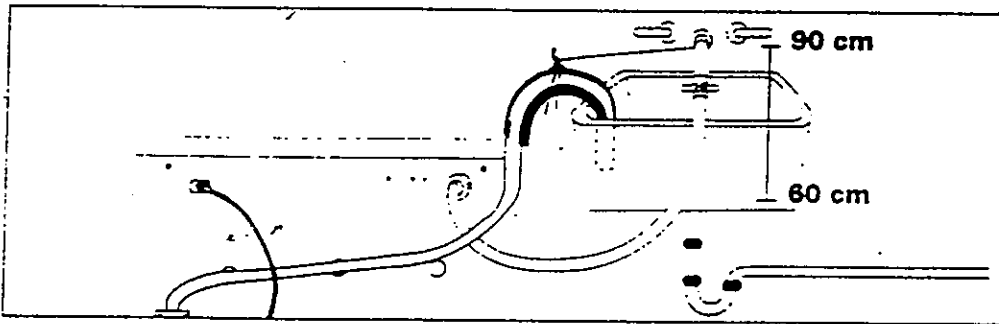
The drain hose must be placed at a height of between 2 ft. and 3 ft. To keep the drain hose spout bent, use the supplied plastic hose guide. Secure the guide to the wall with a hook or to the faucet with a piece of string to prevent the drain hose from moving.

In A Sink Drain Pipe Branch

The drain pipe branch must be above the sink siphon so that the end of the hose is at least 2 ft above the ground.

In A Drain Pipe

We recommend you use a 2 1/2 ft high vertical pipe; it must be no shorter than 2 ft and no longer than 3 ft. The inside of the drain pipe must be wider than the diameter of the drain hose.



> Electrical Connection

⚡ Warning ⚡

Improper use of the grounded plug can result in the risk of electrical shock. If the power cord is damaged, have it replaced by an authorized Avanti Products service center.

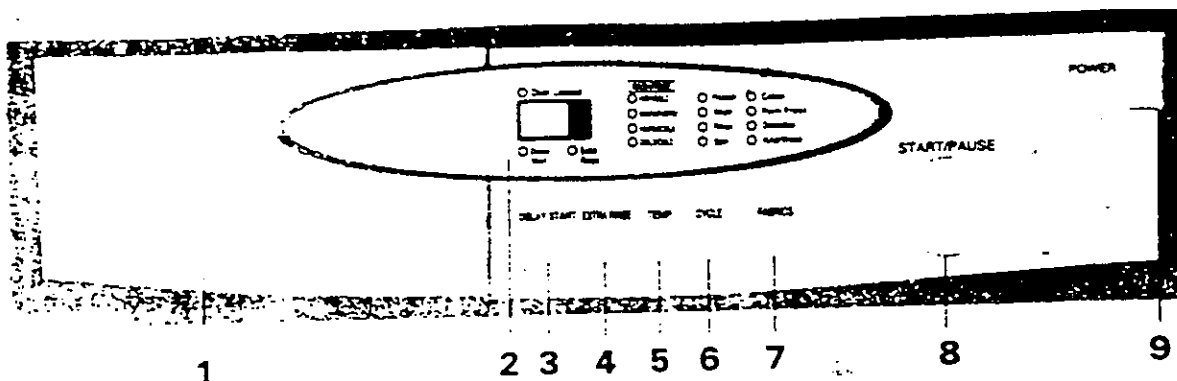
This appliance should be properly grounded for your safety. The power cord of this appliance is equipped with a three-prong plug which mates with standard three prong wall outlets to minimize the possibility of electrical shock.

Do not under any circumstances cut or remove the third ground prong from the power cord supplied.

Use of extension cords is not recommended.

This appliance requires a standard 115/120-volt, 60Hz electrical outlet with three-prong ground. The cord should be secured behind the appliance and not left exposed or dangling to prevent accidental injury.

CONTROL PANEL



- 1) **Detergent Dispenser**
Automatic dispenser holds detergent ② fabric softener ③ and bleach ④.
- 2) **Display Panel**
Indicates the remaining wash time and selected washing options.
- 3) **Delay Start Button**
Press this button repeatedly to cycle through the available delayed start options.
(From 1 hour to 24 hours in one hour increments).
- 4) **Extra Rinse Button**
Press the button when Extra Rinse is needed.
When you choose Extra Rinse, you will see the indicator lights up on the control panel.
- 5) **Wash/Rinse Temperature Selection Button**
Press the button repeatedly to cycle through the available water temperature options.
(WARM/COLD→WARM/WARM→HOT/COLD→COLD/COLD)
- 6) **Cycle Button**
Press the button repeatedly to cycle through the available partial wash options.
Wash+Rinse+Spin→Prewash+Wash+Rinse→Spin→Spin→Rinse(1 time)+ Spin→
Rinse(2 times)+Spin→Rinse(3 times)+Spin
Note: prewash is only available when washing Cotton, Perm Press or Delicates.
- 7) **Fabrics Button**
Press the button repeatedly to select one of the right available programs.
(Cotton→Perm Press→Delicates→Knit/Wool)
- 8) **Start/Pause Button**
Press to pause and restart programs.
- 9) **Power Button**
Press once to turn the washing machine on, press again to turn the washing machine off.
If the washing machine power is left on for longer than 10 minutes without any buttons being touched,
the power automatically turns off.

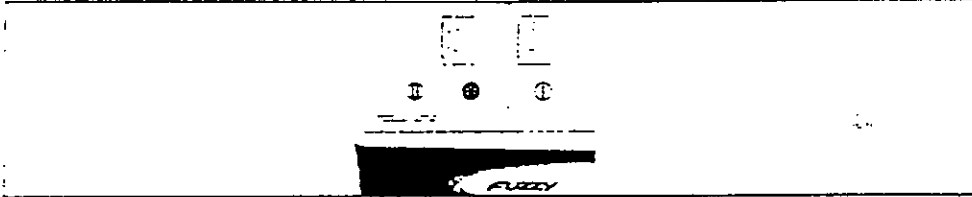
OPERATION INSTRUCTIONS

> Washing For The First Time

Before washing clothes for the first time, you must run a complete cycle without clothes. To do this:

1. Press the Power button.
2. Put a little detergent into compartment II in the detergent drawer.
3. Turn on the water supply to the washing machine.
4. Press the Start/Pause button.

This will remove any water remaining in the machine from the manufacture's test run.

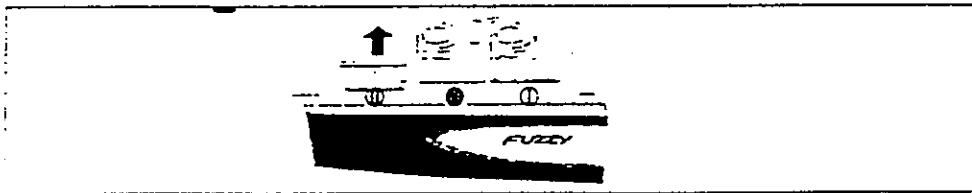


Putting detergent in the washing machine:

1. Pull out the detergent drawer.
 2. Add laundry detergent into compartment II.
 3. Add softener into compartment III (if you desire).
 4. Add liquid chlorine bleach into compartment I (if you desire).
- Do not fill the softener and liquid bleach compartment above the MAX Fill line.
If using the "Prewash" setting, measure 1 1/2 times the amount of detergent used for a normal wash setting.

To add liquid detergent:

1. Remove the divider from its slot and insert it into compartment II.



2. Pour in the liquid detergent.
Liquid detergents and delay start. (please see "Delay Start".)

With delay start use a dosage container for liquid detergents, e.g. ball, otherwise the liquid detergent will run slowly out of the soap dispenser and congeal. If this happens and there is a nasty smell, take dosage container out of the drum at the end of the program.

With liquid detergents use the liquid insert in the soap dispenser. Also you can use dosage aids, e.g. dosage or bags which are provided with the detergent.

> Washing With Fuzzy Logic

Your new washing machine makes washing clothes easy, using "fuzzy logic" automatic control system. When you select an automatic wash program, the machine will automatically set the correct washing time and rinse speed according to the weight of the clothes.

- To wash clothes using the fuzzy logic programs:
- Connect the power supply cord to the outlet.
- Turn on your sink's water faucet.
- Press the Power button.
- Open the door and put the laundry into the washer.
- Add the detergent, softener, and chlorine bleach (if necessary) into the appropriate compartment.

NOTE: Prewash is only available when washing Cotton, Perm Press and Delicate garments.
It is only necessary if your cotton clothing is heavily soiled. If you wish to use prewash, please see "Setting Prewash".

- Choose the Fabrics program to the type of clothes you are washing: Cotton, Perm Press, Delicates, Knit/Wool. You will see the indicators light up on the control panel.
- At this time, you can control the water temperature of wash and rinse by pressing the WASH/RINSE Temperature button.
- Press the Start/Pause button and the wash cycle will begin.
If you want to pause, press the Start/Pause button again.

When The Cycle Is Finished:

When 10 minutes passed after total cycle is finished, then power will turn off automatically.

- Press the Power button
- Open the door and remove the laundry.

> Setting Prewash

Prewash is only available when washing Cotton, Perm Press or Delicate clothes.

To use prewash.

- Load 1-1/2 times the amount of detergent into compartment II of the detergent drawer.
- Select the wash program (Cotton, Perm Press or Delicates).
- Press the Cycle button until the "Prewash" indicator lights up on the control panel.
- Press Start/Pause to begin the cycle.

> Washing Clothes Manually

You can wash clothes manually without using the fuzzy logic feature.

To do so:

- Turn on the water at the water source.
- Press the Power button on the washing machine.
- Open the door and put the laundry into the washer.
- Put the detergent and, if necessary, softener or chlorine bleach in the appropriate compartments.
- Press the WASH/RINSE Temperature button to select the water temperature.
- Press the Extra Rinse button to select the Extra Rinse feature.
- Repeatedly press the Cycle button to select the cycle you prefer.
- Press the Start/Pause button and the machine will begin the cycle.

When the cycle is finished:

- Press the Power button.
- Open the door and remove the laundry.

Note: The door will not open until 3 minutes after the machine stops or the power turns off.

The Door Locked indicator lights whenever the door of the washer is locked and unable to open.

> Using Delay Start

You can set the washing machine to start your wash from 1 to a 24 hours delay. To do this:

- Manually or automatically set your washing machine for the type of clothes you are washing.
- Press the Delay Start button repeatedly until the delay time is set.
- Press the Start/Pause button. The delay start indicator will light, and the clock will begin counting down until it reaches your start time. (In hour increments)
- To cancel Delay Start, press the Power button, then turn the washing machine on again.

> Washing Tips And Hints

Sort your laundry according to the following characteristics:

- Types of fabric care label symbol: Sort laundry into cottons, mixed fibers, synthetics, silks, wools and rayon.
- Color: Divide whites and colors. Wash new, colored items separately.
- Size: Placing items of different sizes in the same load will improve the washing action.
- Sensitivity: Wash delicate items separately, using the Delicate wash program for pure new wool, curtains, and silk articles. Check the labels on the items you are washing or refer to the fabric care chart.

Emptying pockets: Coins, safety pins and similar items can damage linen, the washing machine drum, and the water tank.

Securing Fasteners: Close zippers and fasten buttons or hooks; loose belts or ribbons should be tied together.

Prewashing Cotton: Cotton, Perm Press, Delicate prewash are not normally necessary. Your new washing machine, combined with modern detergents, will give perfect washing results, thus saving energy, time, water and detergent. However, if your cotton is particularly dirty, use a prewash with a protein-based detergent.

Determining Load Capacity: Do not overload the washing machine or your laundry may not wash properly.

Detergent Tips: The type of detergent you use is based on the type of fabric (cotton, Perm Press, delicate items, wool), color, wash temperature, degree and type of soiling. Always use "low suds" laundry soap, which is designed for automatic washing machines.

Follow the detergent manufacturer's recommendations based upon the weight of the laundry, the degree of soiling, and the darkness of the water in your area. If you do not know how hard your water is, ask your water authority.

Note: Keep detergents and additives in a safe dry place out of the reach of children.

WARNING:

To reduce the risk of fire, electric shock, or injury to persons, read the IMPORTANT SAFETY INSTRUCTIONS before operating this appliance.

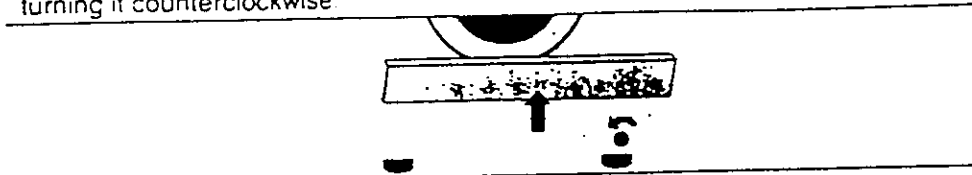
Fabric Care Chart

	Resistant material		Can be ironed at 100°C max
	Delicate fabric		Do not iron
	Item may be washed at 95°C		Can be dry cleaned using any solvent
	Item may be washed at 60°C		Dry clean with perchloride, lighter fuel, pure alcohol or R113 only
	Item may be washed at 40°C		Dry clean with aviation fuel, pure alcohol or R113 only
	Item may be washed at 30°C		Do not dry clean
	Item may be hand washed		Dry flat
	Dry clean only		Can be hung to dry
	Can be bleached in cold water		Dry on clothes hanger
	Do not bleach		Tumble dry, normal heat
	Can be ironed at 200°C max		Tumble dry, reduced heat
	Can be ironed at 150°C max		Do not tumble dry

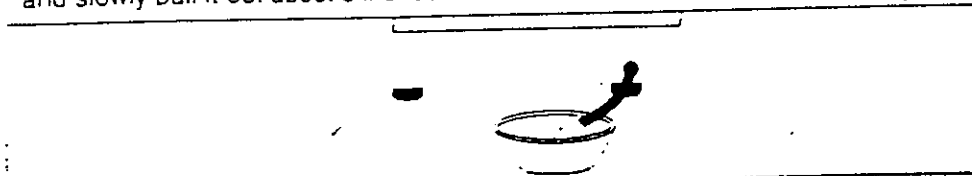
CARE AND MAINTENANCE

> Draining The Washing Machine In An Emergency

- Unplug the washing machine from the power supply.
- Remove the base cover by using a screwdriver to pry it off and unscrew the discharge hose by turning it counterclockwise.



- Grip the cap on the end of the discharge hose and slowly pull it out about 8 inches and allow all the water to flow into a bowl.



- Reinsert the discharge hose cap and turn it clockwise.
- Replace the base cover.

> Repairing A Frozen Washing Machine

If the temperature drops below freezing and the water in your washing machine is frozen.

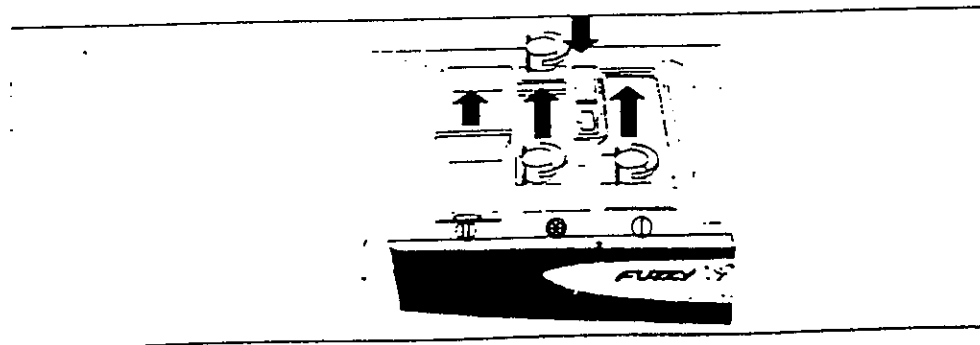
- Unplug the washing machine.
- Pour warm water on the source faucet to loosen the water supply hose.
- Remove the water supply hose and soak it in warm water.
- Pour warm water into the washing machine drum and let it sit for 10 minutes.
- Reconnect the water supply hose to the water faucet and check if the water supply and drain operations are normal.

> Cleaning the Exterior

- Wipe the washing machine surfaces, including the control panel, with a soft cloth and non-abrasive household detergents.
- Use a soft cloth to dry the surfaces.
- Do not pour water on the washing machine.

> Cleaning The Detergent Drawer

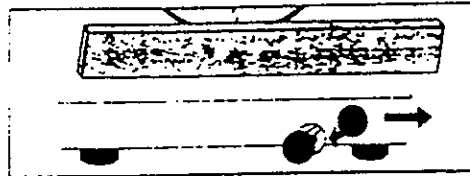
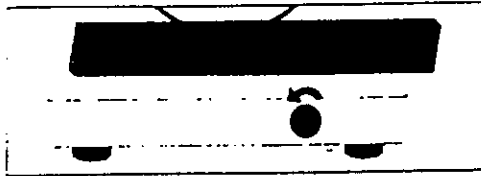
- Press the release lever on the inside of the detergent drawer and pull it out.
- Remove the caps from compartment ② and ①.
- Wash all of the parts under running water.
- Clean the drawer film with an old toothbrush.
- Reinsert the caps (pushing them firmly into place) and replace the liquid detergent divider into the drawer.
- Push the drawer back into place.
- Run a rinse program without any laundry in the drum.



> Cleaning The Debris Filter

Clean the debris filter 2 or 3 times a year.

- Remove the base cover from the front of the washing machine.
- There may be water remaining in the tub overflow. Unplug the discharge hose to eliminate any excess water. Be sure to place a pan under the hose to prevent water from spilling on your floor.
- After the water has been drained plug the discharge hose and put it back into its place.
- Unscrew the filter cap and take it out.
- Wash any dirt or other material from the filter. Make sure the drain pump propeller behind the filter is not blocked. Replace the filter cap.
- Replace the base cover.



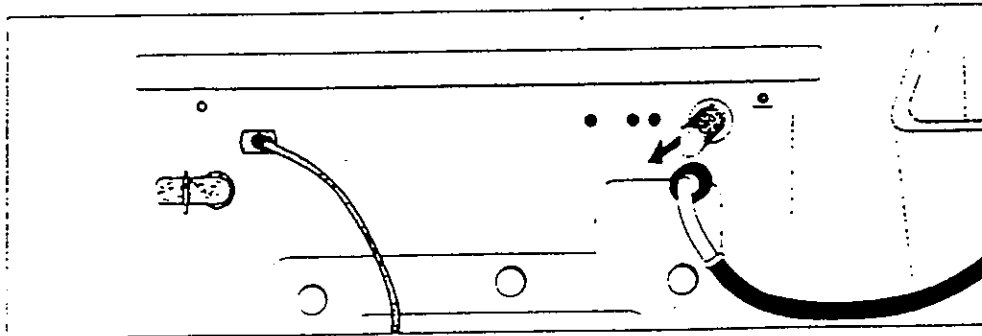
> Cleaning The Water Hose Mesh Filter

You should clean the water hose mesh filter once per year, or when you see the following error message on the display:

E1

To do this:

- Turn off the water source to the washing machine.
- Unscrew the hose from the back of the washing machine.
- With a pair of pliers, gently pull out the mesh filter from the end of the hose and rinse it under water until clean. Also clean the inside and outside of the threaded connector.
- Push the filter back into place.
- Screw the hose back onto the washing machine.
- Turn on the faucet and make sure the connections are watertight.



PROBLEMS WITH YOUR WASHER?

You can solve many common appliance problems easily, saving you the cost of a possible service call. Try the suggestions below to see if you can solve the problem before calling the servicer.

TROUBLESHOOTING GUIDE

PROBLEM	POSSIBLE CAUSE
Washer does not operate.	Not plugged in. The circuit breaker tripped or blown fuse. Door is not closed. Make sure the water source is turned on.
No water or insufficient water supply.	The water source faucet is not turned on. The water source hose is frozen. The water intake hose is bent. The filter on the water intake hose is clogged.
Detergent remains in the detergent drawer after the wash program is complete.	The washing machine is running without sufficient water pressure.
The washing machine does not drain and/or spin.	The drain hose is squashed or bent. The water hose mesh filter is clogged. Washing machine vibrates or is too noisy. Check to assure that the washer is level. The shipping bolts were not removed. The washing machine is touching another object. The laundry load is not balanced.

Understanding error messages

Error displayed

E_d

Solution

Close the door.

E₁

- Make sure the source water faucet is turned on.
- Check the water pressure.

E₂

- Clean the debris filter.
- Make sure the drainage hose is installed correctly.

E₄

Laundry load is unbalanced; loosen any tangled laundry.

Only if one bathrobe or jean needs washing at one time, final spin result might not be good and "E4" error message will be show in the display window.

YOUR Avanti Products WARRANTY

Staple your sales receipt here. Proof of original purchase date is needed to obtain service under warranty.

WHAT IS COVERED

LIMITED ONE-YEAR WARRANTY

For one year from the date of purchase by the original owner, Avanti Products will, at its option, repair or replace any part of the appliance that proves to be defective in material or workmanship under normal use. During this period Avanti Products will provide all parts and labor necessary to correct such defects free of charge, so long as the appliance has been installed and operated in accordance with the written instructions in this manual. In rental or commercial use, the warranty period is 90 days.

LIMITED 5 YEAR WARRANTY ON PLASTIC TUB

After one year and until five years from date of purchase, Avanti will furnish a replacement plastic tub, which is defective in material or workmanship. You will be charged for labor.

LIMITED 7 YEAR WARRANTY ON STAINLESS STEEL TUB

After one year and until seven years from date of purchase, Avanti will furnish a replacement stainless steel tub, which is defective in material or workmanship. You will be charged for labor.

WHAT IS NOT COVERED

Incidental or consequential damages.

- Service calls to:
 - Correct the installation of your washer.
 - Instruction on how to use your washer.
 - Replace house fuses or incorrect house wiring or plumbing.
- Repairs performed by unauthorized servicers.
- Repairs when your washer is used in other than normal, single-family household use.

- Service calls that are related to external problems, such as abuse, misuse, inadequate electrical power, accidents, fire, floods, or acts of God.
- Failure of the product if it is used for other than its intended purpose.
- Pickup and delivery. Your washer is designed to be repaired in the home.
- Repairs caused by unauthorized modifications made to the appliance.
- This warranty does not apply outside the Continental U.S.A..

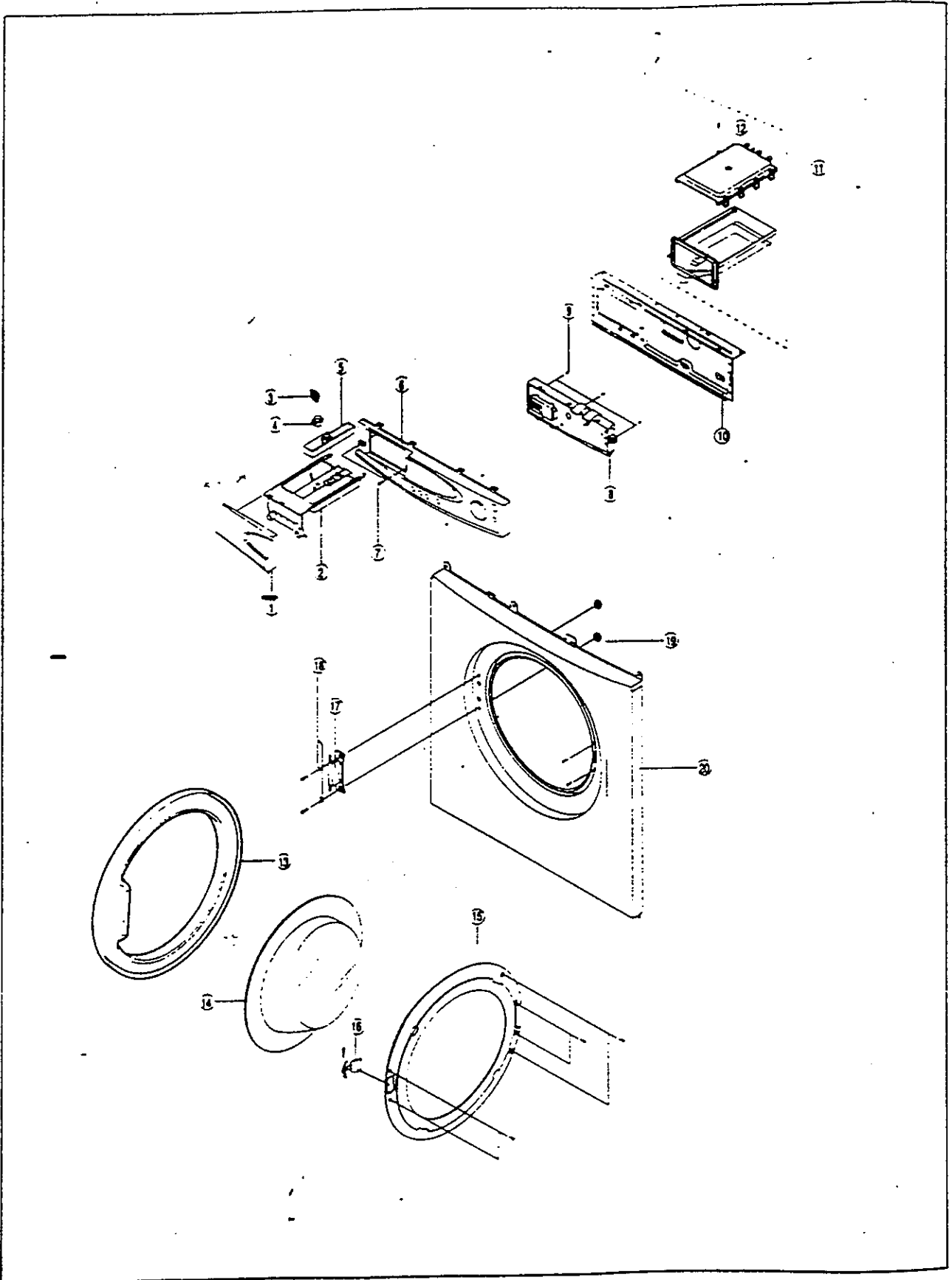
SERVICE FOR YOUR WASHER

We are proud of our customer service organization and the network of professional service technicians that provide service on your Avanti appliances. With the purchase of your Avanti washer, you can have the confidence that if you ever need additional information or assistance, the Avanti Products Customer Service team will be here for you. Just call us toll-free.

AVANTI PRODUCTS CUSTOMER SERVICES

Product Information 800-323-5029	Whatever your questions are about our products, help is available.
Part Orders 800-220-5570	You may order parts and accessories that will be delivered directly to your home. You may order these items by personal check, money order, Master Card, or Visa.
In-Home Repair Service 800-220-5570	An Avanti Products authorized service center will provide expert repair service, scheduled at a time that is convenient for you. Our trained servicers know your washer inside and out.

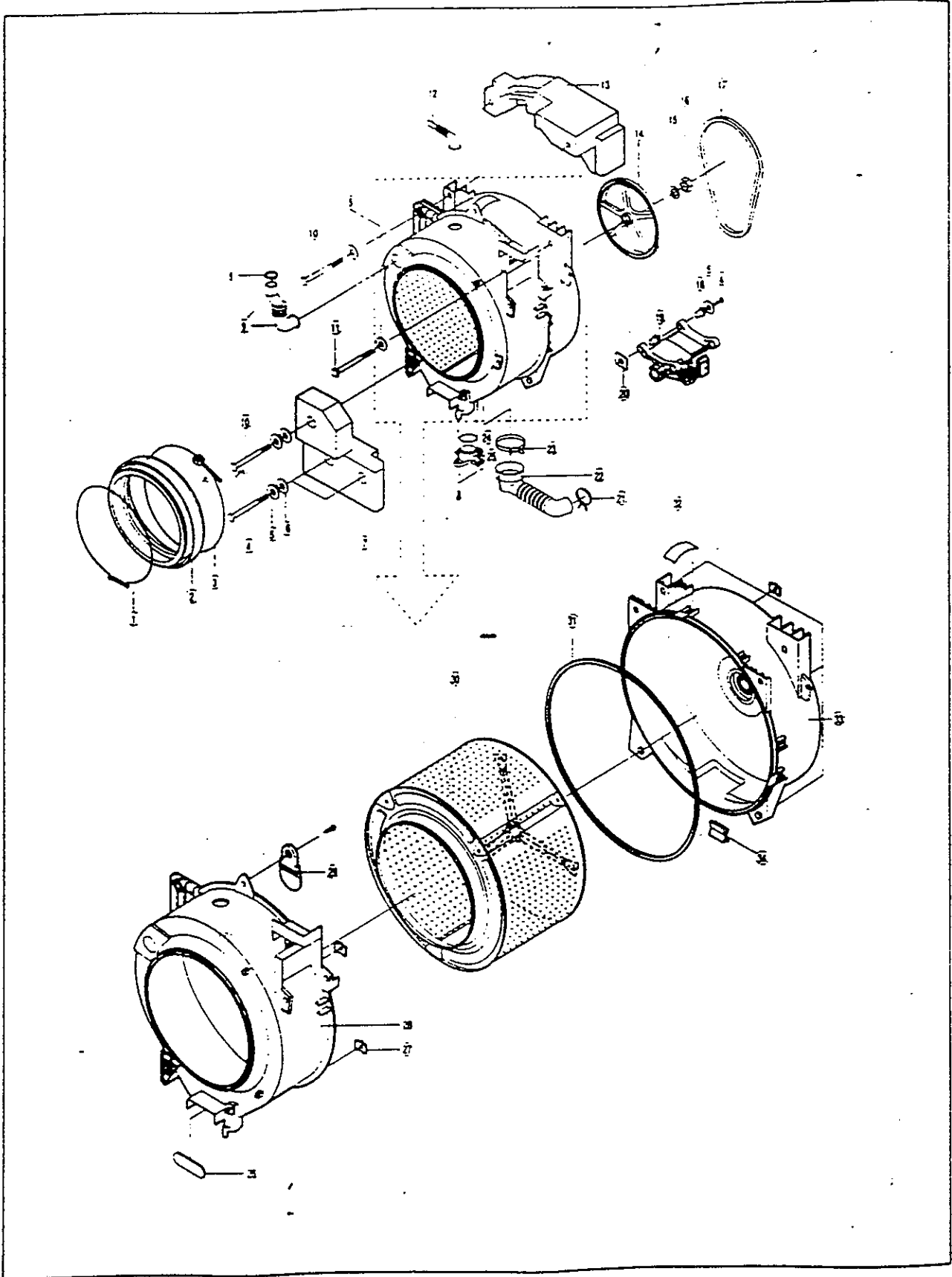
Parts Breakdown



Parts List

NO	Part Code	Code No	Qty	Description	Specification	Remark
1	WCD01	DC97-00891K	1	ASSY-PANEL FRONT	PANEL-DRAWER+ INLAY	LIGHT/GRY
2	WCD02	DC61-30348A	1	BODY-DRAWER	PP,WHT	
3	WCD03	DC61-60498A	1	GUIDE-LIQUID	ABS	
4	WCD05	DC61-10687A	1	CAP-RINSE	PP,WHT	
5	WCD06	DC97-01160A	1	ASSY-COVER DRAWER	P1092,PP/BLEACH-CASE	
6	WCD01	DC97-01091G	1	ASSY-PANEL CONTROL	ENG,W1092F/AVANTI	
7	WZ001	6002-000445	2	SCREW TAPPING	TH.+2S,M4,L18,NTR,STS304	
8	WB001	MF-P1092H+01	1	ASSY PCB PARTS	W1092F	
9	WZ001	DC60-20049A	3	SCREW TAPPING	PH.+2,D4,L12	
10	WCD04	DC97-00417A	1	ASSY-FRAME PLATE(U)	FRAME-PLATE(U)	
11	WCD05	DC91-12085A	1	ASSY-HOUSING DRAWER		
12	WZ001	DC60-20049A	1	SCREW TAPPING	PH.+2,D4,L12	
13	WCD07	DC61-00055A	1	COVER-DOOR	ABS,WHT,DANBY	
14	WCD08	DC61-00013A	1	DOOR-GLASS	GLASS,NTR	
15	WCD09	DC61-00057A	1	HOLDER-GLASS	ABS(HG-0760),WHT,DANBY	
16	WCD10	DC66-00016A	1	LEVER-DOOR	POM,NTR,DANBY	
17	WCD11	DC97-00100A	1	ASSY-HINGE	NI+CR	
18	WZ008	DC60-60025C	2	WASHER-PLAIN	PVC,ID5.5,OD10,T1	
19	WZ016	DD60-50018A	2	NUT-FLANGE	M5XP0.8,FZY,MSWR10	
20	WCD12	DC97-00702A	1	ASSY-FRAME FRONT	ROUND-TYPE	

Parts Breakdown

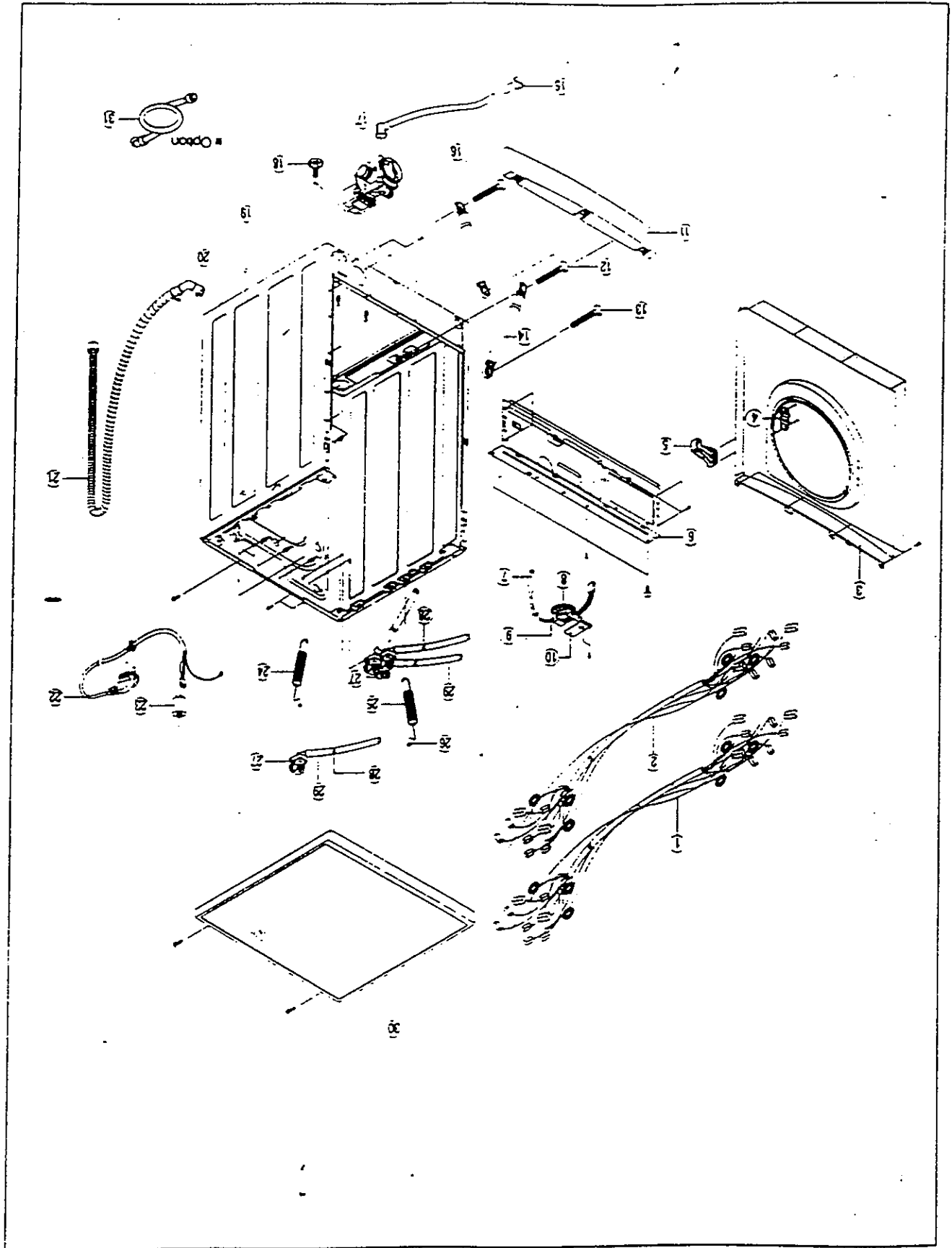


Parts List

NO	Part Code	Code No	Q'ty	Description	Specification	Remark
1	WDD01	DC91-12078A	1	ASSY-WIRE DIAPHRAGM	FRAME-FRONT	
2	WDD02	DC61-20219A	1	DOOR-DIAPHRAGM	EPDM.GRY	
3	WDD03	DC97-00850A	1	ASSY-CLAMP DIAPHGRAM	TUB	
4	WDD04	DC60-40138A	3	BOLT-W.MOTOR	SM10C.HEX,M8,L62	
5	WZ008	DC60-60044B	6	WASHER-PLAIN	SBC.ID8 4.O030.T3	
6	WZ009	DC60-60040A	3	WASHER-NYLON	ID10.5.O032.T2.-.PBSP-1/2H	
7	WDD05	DC66-60154A	1	WEIGHT-BALANCER(L)	CONCRETE.LOWER	
8	WZ010	DC65-60125A	1	BAND RING	HSWR.YELW38.5.T2.4	
9	WDD06	DC62-10305A	1	HOSE-DRAWER TUB	EPDM.ID35.BLK.L158	
10	WZ011	DC60-40140A	2	BOLT-HEX	WEIGHT-UL/SM10C.HEX,M8,L147	
11	WZ012	DC60-40132B	1	BOLT-FLANGE	M8,L210.ZPC2(YEL),SS41C	
12	WD007	DC62-10303A	1	HOSE-AIR	EPDM.ID24.BLK.L130	
13	WDD07	DC66-60153A	1	WEIGHT-BALANCER(U)	CONCRETE.UPPER	
14	WD006	DC66-10176B	1	PULLEY	ALDC.-.D297.ID12.5	
15	WZ014	DC60-60049A	1	WASHER-SPRING	ID10.5.O018.T2.5.-.SIR	
16	WZ013	DC60-50148B	1	NUT-HEX	SM20C(NYLON),M12.-.ZPC3(YEL)	
17	WD008	DC66-10139B	1	BELT-TRANSMISSION	RUBBER.POLY-V J5,	
18	WDD08	DC61-00041A	1	CUSHION-MOTOR	BUTYL.ID16/O020	
19	WDD09	DC31-00002D	1	MOTOR-DRUM	100-120V,50/60HZ,61MM	
20	WZ013	DC60-50156A	1	NUT-HEX	SM10C.-.M8.-ZPC2(YEL)28X18.5,	
21	WZ010	DC65-50118F	1	BAND RING	PW1.YEL.-.PV33	
22	WDD10	DC62-10304A	1	HOSE-FILTER TUB	EPDM.ID65.BLK.L151	
23	WZ015	DC61-60497A	1	CLAMP-HOSE	HSWR.ID70/O075.8.(TUB)	
24	WDD11	DC62-40184A	1	PACKING-TRAP	EPDM,BLK	
25	WD009	DC61-10676A	1	CAP-TRAP	PP(TB53)	
26	WDD22	DC61-00140A	1	CAP-TUB	EPDM,BLK.SQ1291	
27	WDD13	DC61-30346B	1	TUB-FRONT	FRPP(GR30%),IVORY	
28	WDD14	DC61-40348B	5	BRACKET-NUT	SBHG-R.T3.	
29	WDD17	DC62-20311A	1	VANE-CHECK	EPDM,BLK	
30	WDD18	DC91-12281A	1	ASSY-DRUM	1000 °=110GRPM:STS	
31	WDD19	DC62-40183A	1	PACKING-TUB	EPDM,BLK	
32	WDD20	DC61-60499B	8	CLIP-TUB	HSWR	
33	WDD21	DC97-00214G	1	ASSY-TUB BACK	BACKLOW-RPM	
34	WDD20	DC61-60520A	1	CLIP-TUB	PLATE-TYPE	

Parts List

No.	Part Code	Code No	Qty	Description	Specification	Remark
1	WA006	DC96-00173A	1	ASSY-M.WIRE HARNESS	HOT-COLD	
2	WA007	DC96-00174A	1	ASSY-WIRE HARNESS	SUB	
3	WCD12	DC97-00702A	1	ASSY-FRAME FRONT	ROUND-TYPE	
4	WED05	DC61-60142A	1	GUIDE-LEVER	POM,WHT	
5	WAD01	DC61-20205B	1	DOOR-LOCK S/W		
6	WCD04	DC97-00417A	1	ASSY-FRAME PLATE(U)	FRAME-PLATE(U)	
7	WED04	DC62-10311A	1	HOSE-PRESSURE	EPDM,ID13.5,BLK	
8	WA002	DC32-30006P	1	SENSOR PRESSURE	DN-S14,TERMINAL-TYPE(DCSV)	
9	WZ015	DC61-60359D	1	CLAMP-HOSE	HSWR	
10	WED05	DC61-40345A	1	BRACKET-PRESSURE	GI or GA,T1	
11	WED06	DC61-10672A	1	COVER-FRONT(L)	PP(BJ-730),WHT	
12	WZ011	DC60-40144A	2	BOLT-HEX	M10,L41,ZPC2(YEL),DAMPER	
13	WZ011	DC60-40144A	2	BOLT-HEX	M10C/DAMPER,HEX,M8,L66	
14	WED07	DC66-60149A	2	DAMPER-SHOCK	80N	
15	WED08	DC61-10673A	1	CAP-DRAIN	PP(TB53),WHT	
16	WD108	DC62-10302A	1	HOSE-DRAIN	EPDM,ID5.5,BLK,L220,OD9.5	
17	WA003	DC96-00149D	1	ASSY-PUMP DRAIN	120V/60HZ	
18	WE005	DC91-12292A	4	ASSY-LEG		
19	WED09	DC99-00061A	1	ASSY-PAINT FRAME	H+C/P+HOLE-LOWER	
20	WZ010	DC65-60125B	1	BAND RING	HSWR,YEL,PI25,T2.4	
21	WZ005	DC97-00139B	1	ASSY-HOSE DRAIN(O)	PP(BB110)2200	
22	WA001	DC90-00038E	1	ASSY-POWER CORD	125V/13A/EP3	
23	WAD02	DC29-90001A	1	FILTER-EMI	FA-215T2-D,250V15A,50/60HZ	
24	WED10	DC61-70217C	2	SPRING-HANGER	HSWR,CD3.2,-,L175	
25	WED10	DC61-70216C	1	SPRING-HANGER	SWR,CD3.5,-,L175	
26	WED11	DC61-60180A	3	SLEEVE-PLUG	NYLON#6,NTR	
27	WA009	DC62-30309J	1	VALVE-WATER	#187,EATON(COLD)	
27	WA009	DC62-30310R	1	VALVE-WATER	#187,(HOT)	
28	WZ015	DC61-60063B	6	CLAMP-HOSE	SK5,-,YEL	
29	WED12	DC62-10068A	3	HOSE-DRAWER	SOFT-PVC,ID10,NTR,L350	
29	WED12	DC62-10287A	1	HOSE-DRAWER	PVC,ID10,NTR	
30	WCD13	DC97-00851A	1	ASSY-COVER TOP	WOOD/WHT-GRAY-DOT	
31	WZ007	DC97-01298A	1	ASSY-HOSE WATER	W751SC,1.5MT/METER/COLD	OPTION
31	WZ007	DC97-01298B	1	ASSY-HOSE WATER	W751SC,1.5MT/METER/HOT	OPTION



Parts Breakdown

Wiring Diagram

