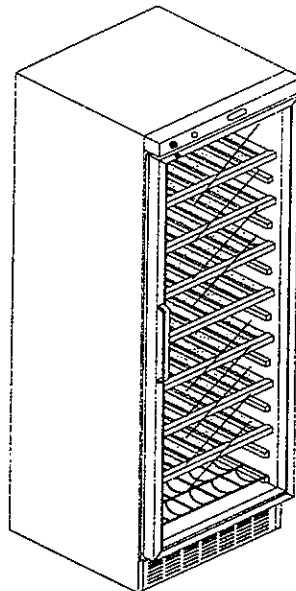




**WINE COOLER
INSTRUCTION MANUAL
MANUAL DE INSTRUCCIONES**

**Model Number/Número de Modelo :
WC1001**



CAUTION:

BEFORE USE, PLEASE READ AND FOLLOW ALL SAFETY RULES AND OPERATING INSTRUCTIONS.

La sección en español empieza en la página 13.

Avanti has a policy of continuous improvement on its products and reserves the right to change materials and specifications without notice.

**Avanti Products, A Division of The Mackle Co., Inc.
P.O. Box 520604 - Miami, Florida 33152
www.avantiproducs.com**

Registration Information

➤ **Protect your product:**

We will keep the model number and date of purchase of your new Avanti product on file to help you refer to this information in the event of an insurance claim such as fire or theft.

➤ **Promote better products:**

We value your input. Your responses will help us develop products designed to best meet your future needs.

(Detach Here)

Avanti Registration Card

Name _____

Model # _____ Serial # _____

Address _____

Date Purchased _____ Store/Dealer Name _____

City _____ State _____ Zip _____

Occupation _____

Area Code _____ Phone Number _____

As Your Primary Residence, Do You:

Own Rent

Did You Purchase An Additional Warranty:

Extended Food Loss None

Reason For Choosing This Avanti Product:

Please indicate the most important factors that influenced your decision to purchase this product.

- Price
- Product Features
- Avanti Reputation
- Product Quality
- Salesperson Recommendation
- Friend/Relative Recommendation
- Warranty
- Other _____

Your Age:

under 18 18-25 26-30
 31-35 36-50 over 50

Marital Status:

Married Single

Is This Product Used In The:

Home Business

How Did You Learn About This Product:

Advertising Product Features
 In Store Demo Personal Demo
 Other _____

Comments _____

HELP US HELP YOU...

Read this guide carefully.

It is intended to help you operate and maintain your new wine cooler properly.

Keep it handy to answer your questions. If you don't understand something or you need more help, please call:

Avanti Customer Service
800-220-5570

Keep proof of original purchase date (such as your sales slip) with this guide to establish the warranty period.

CAUTION:

THIS WINE COOLER IS NOT DESIGNED FOR THE STORAGE OF MEDICINE OR OTHER MEDICAL PRODUCTS.

Write down the model and serial numbers.

You'll find them on a label located on the left back side of the unit.

Please write these numbers here:

Date of Purchase

Model Number

Serial Number

Use these numbers in any correspondence or service calls concerning your wine cooler.

If you received a damaged wine cooler, immediately contact the dealer (or builder) that sold you the wine cooler.

Save time and money. Before you call for service, check the Problem Solver Guide. It lists causes of minor operating problems that you can correct yourself.

IF YOU NEED SERVICE

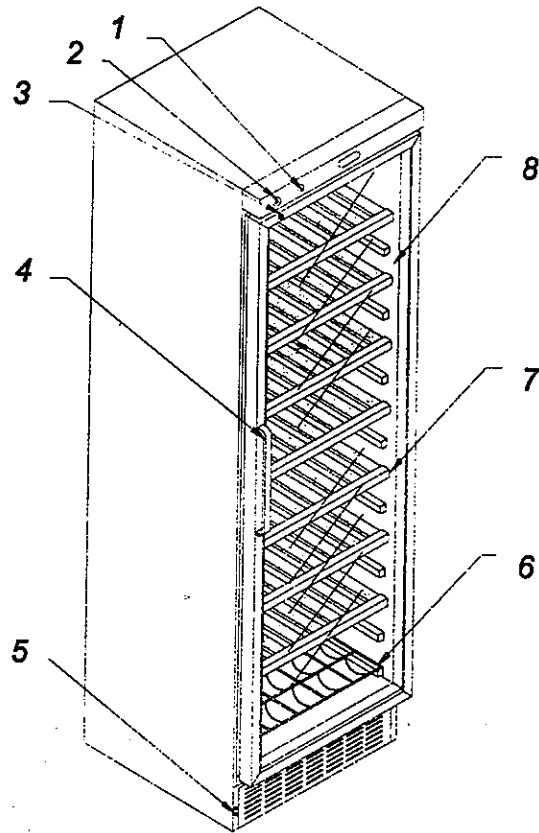
We're proud of our service and want you to be pleased. If for some reason you are not happy with the service you receive, here are some steps to follow for further help.

FIRST, contact the people who serviced your appliance. Explain why you are not pleased. In most cases, this will solve the problem.

NEXT, if you are still not pleased, write all the details, including your telephone number, and send to:

Customer Service
Avanti Products
10880 NW 30 Street
Miami, FL 33172

PARTS & FEATURES



1. POWER INDICATOR LIGHT
2. THERMOSTAT CONTROL
3. LOCK/KEY COMBINATION
4. DOOR HANDLE
5. LEVELING LEGS
6. METAL RACK
7. WOODEN SHELVES
8. GLASS DOOR

Table of Contents

Registration Information	2
Help Us Help You	3
Parts and Features	4
Table of Contents	5
Important Safety Instructions	6
Installation Instructions	6
Before Using Your Wine Cooler	6
Installation of Your Wine Cooler	6
Electrical Connection	7
Temperature Control	7
Operating Your Wine Cooler	8
Care and Maintenance	8
Cleaning Your Wine Cooler	8
Maintenance of Your Wine Cooler	8
Vacation Time	8
Moving Your Wine Cooler	8
Troubleshooting Guide	9
Service For Your Wine Cooler	10
Avanti Products Customer Services	10
Your Avanti Products Warranty	11
Wiring Diagram	12
Spanish Section	13, 14

Important Safety Instructions

⚡ WARNING ⚡	To reduce the risk of fire, electrical shock, or injury when using your appliance, follow these basic precautions:
<ul style="list-style-type: none">• Read all instructions before using the appliance.• DANGER or WARNING: Risk of child entrapment.• Child entrapment and suffocation are not problems of the past. Junked or abandoned appliances are still dangerous. . . even if they will “just sit in the garage a few days.”• Before you throw away your old refrigerator or freezer: Take off the doors. Leave the shelves in place so that children may not easily climb inside.• Never allow children to operate, play with, or crawl inside the appliance.• Never clean appliance parts with flammable fluids. The fumes can create a fire hazard or explosion.• Do not store or use gasoline or any other flammable vapors and liquids in the vicinity of this or any other appliance. The fumes can create a fire hazard or explosion. <p style="text-align: center;">-Save these instructions-</p>	

INSTALLATION INSTRUCTIONS

> Before Using Your Wine Cooler

- Remove wooden support at the bottom by removing the 4 screws holding it to the metal frame. Use a wrench.
- Insert both leveling legs provided thru the uncovered holes at the front to desired height.
- Remove the exterior and interior packing.
- Check to be sure the following parts are included:
 - Seven Slide Out Wooden shelves
 - 2 leveling legs
 - 2 Keys
 - 1 Bottom Metal Rack
 - Instruction Manual
- Before connecting the appliance to the power source, let it stand upright for approximately 2 hours. This will reduce the possibility of a malfunction in the cooling system from handling during transportation.
- Clean the interior surface with lukewarm water using a soft cloth.

> Installation of Your Wine Cooler

- Place your appliance on a floor that is strong enough to support the appliance when it is fully loaded. To level your appliance, adjust the legs at the front of the appliance.
- Locate the appliance away from direct sunlight and sources of heat (stove, heater, radiator, etc.). Direct sunlight may affect the acrylic coating and heat sources may increase electrical consumption. Extreme cold ambient temperatures may also cause the appliance not to perform properly.
- Be sure provide minimum 10 cm (4") distance from back-wall and minimum 25cm (10") distance from top for installation position.
- Avoid locating the appliance in moist areas. Too much moisture in the air will cause frost to form quickly on the evaporator.

➤ **Electrical Connection**

⚡ Warning ⚡

Improper use of the grounded plug can result in the risk of electrical shock. If the power cord is damaged, have it replaced by an authorized Avanti Products service center.

This appliance should be properly grounded for your safety. The power cord of this appliance is equipped with a three-prong plug which mates with standard three prong wall outlets to minimize the possibility of electrical shock.

Plug the appliance into an exclusive properly installed-grounded wall outlet. Do not under any circumstances cut or remove the third (ground) prong from the power cord. Any questions concerning power and or grounding should be directed toward a certified electrician or an authorized Avanti Products service center.

This appliance requires a standard 115/120-volt, 60Hz electrical outlet with three-prong ground. The cord should be secured behind the appliance and not left exposed or dangling to prevent accidental injury.

Do not use an adapter plug with this appliance.

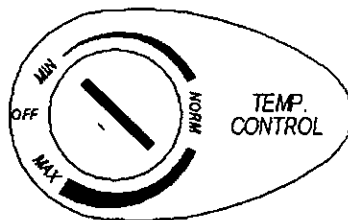
Do not use an extension cord with this appliance. If the power cord is too short, have a qualified electrician or service technician an outlet near the appliance.

IMPORTANT SAFEGUARDS

Do not store food in wine cooler, as interior temperature may not get cool enough to prevent spoilage. As a natural result of condensation, in summer months or areas of high humidity, the glass door may build up moisture on the outside. Just wipe it away.

➤ **TEMPERATURE CONTROL**

- The first time you turn the unit on, set the temperature control to "MAX" position.
- The settings of the temperature control are "OFF", "MIN", "NORMAL" and "MAX". After 20 minutes, adjust the temperature control setting to "NORMAL". The setting of "NORMAL" should be correct for home or office wine cooler use.
- To turn the wine cooler off, turn the temperature control to "OFF".



Please use flat screwdriver or coin to set your temperature control.

NOTE:

- Turning the temperature control to "OFF" position stops the cooling cycle, but does not shut off the power to the wine cooler.
- If the unit is unplugged, power lost, or turned off, you must wait 3 to 5 minutes before restarting the unit. If you attempt to restart before this time delay, the wine cooler will not start.
- The green light indicates the wine cooler is properly connected to the electrical power.
- The range between "MIN" and "MAX" is from 65° F to 45° F, which is ideal for the storage of wines.

➤ OPERATING YOUR WINE COOLER

It is recommended you install the wine cooler in a place where the ambient temperature is between 72-78 degrees Fahrenheit. If the ambient temperature is above or below recommended temperatures, the performance of the unit may be affected. For example, placing your unit in extreme cold or hot conditions may cause interior temperatures to fluctuate. The range of 45-65 degrees Fahrenheit may not be reached.

Recommended Temperatures for Chilling Wine

Red Wines:	60-65° F
Dry/White Wines	50-59° F
Sparkling Wines	49-51° F
Rose Wines	45-49° F

Also, there is an 8 to 10° F variance between the top and bottom shelves of the wine chiller. Therefore, if you want to place a mix of white and red wines, you may want to place the white wine bottles on the bottom shelves and the red wines on the top shelves.

➤ SHELVES:

To accommodate different size bottles, they can be moved up or down by sliding them out the tracks first. Shelves are designed to accommodate maximum amount of bottles.

To remove shelves place arms under the shelf and gently push up on the rear of the shelf. Then slide the shelf outward (forward).

➤ DOOR LOCK:

For safety and security, your unit is equipped with a door lock and key. Door will not lock until the key is removed. This eliminates the risk of accidental child entrapment. Two keys are included with your lock.

CARE AND MAINTENANCE

➤ Cleaning Your Wine Cooler

- Turn the temperature control to "OFF", unplug the appliance, and remove the contents.
- Unplug the wine cooler and remove the bottles.
- Wash the inside with a warm water and baking soda solution. The solution should be about 2 tablespoons of baking soda to a quart of water.
- The outside of the wine cooler should be cleaned with mild detergent and warm water.
- It may also be necessary to periodically wipe the bottom part of the storage area, as the wine cooler is designed to retain humidity, and condensation may collect there.

➤ Maintenance of Your Wine Cooler

- Power Failure

Most power failures are corrected within a few hours and should not affect the temperature of your wine cooler if you minimize the number of times the door is opened. If the power is going to be off for a longer period of time, you need to take the proper steps to protect your contents.

➤ Vacation Time

- **Short vacations:** Leave the appliance operating during vacations of less than three weeks.
Long vacations: If the appliance will not be used for several months, remove all items and unplug the power cord. Clean and dry the interior thoroughly. To prevent odor and mold growth, leave the door open slightly: blocking it open if necessary

➤ Moving Your Wine Cooler

- Remove all the bottles.
- Securely tape down all loose items inside your wine cooler.
- Turn the leveling screws up to the base to avoid damage.
- Tape the doors shut.
- Be sure the wine cooler stays in the upright position during transportation.

PROBLEMS WITH YOUR WINE COOLER?

You can solve many common wine cooler problems easily, saving you the cost of a possible service call. Try the suggestions below to see if you can solve the problem before calling the servicer.

TROUBLESHOOTING GUIDE

PROBLEM	POSSIBLE CAUSE
Wine cooler does not operate.	Not plugged in. The circuit breaker tripped or blown fuse.
Wine cooler is not cold enough.	Check the temperature control setting. External environment may require a higher setting. The door is opened too often. The door is not closed completely. The door gasket does not seal properly. The wine cooler does not have the correct clearances.
Compressor turns on and off frequently.	The room temperature is hotter than normal. A large amount of contents has been added to the wine cooler. The door is opened too often. The door is not closed completely. The temperature control is not set correctly. The door gasket does not seal properly. The wine cooler does not have the correct clearances.
Vibrations.	Check to assure that the wine cooler is level.
The wine cooler seems to make too much noise.	The rattling noise may come from the flow of the refrigerant, which is normal. As each cycle ends, you may hear gurgling sounds caused by the flow of refrigerant in your wine cooler. Contraction and expansion of the inside walls may cause popping and crackling noises. The wine cooler is not level.
The door will not close properly.	The wine cooler is not level. The gasket is dirty. The shelves are out of position.

SERVICE FOR YOUR WINE COOLER

We are proud of our customer service organization and the network of professional service technicians that provide service on your Avanti appliances. With the purchase of your Avanti appliance, you can have the confidence that if you ever need additional information or assistance, the Avanti Products Customer Service team will be here for you. Just call us toll-free.

AVANTI PRODUCTS CUSTOMER SERVICES

Product Information 800-323-5029	Whatever your questions are about our products, help is available.
Part Orders 800-220-5570	You may order parts and accessories that will be delivered directly to your home or business. You may order these items by personal check, money order, Master Card, or Visa.
In-Home Repair Service 800-220-5570	An Avanti Products authorized service center will provide expert repair service, scheduled at a time that is convenient for you. Our trained servicers know your appliance inside and out.

YOUR Avanti Products WARRANTY

Staple your sales receipt here. Proof of original purchase date is needed to obtain service under warranty.

WHAT IS COVERED

LIMITED ONE-YEAR WARRANTY

For one year from the date of purchase by the original owner, Avanti Products will, at its option, repair or replace any part of the wine cooler which proves to be defective in material or workmanship under normal use. During this period Avanti Products will provide all parts and labor necessary to correct such defects free of charge, so long as the appliance has been installed and operated in accordance with the written instructions in this manual. In rental or commercial use, the warranty period is 90 days.

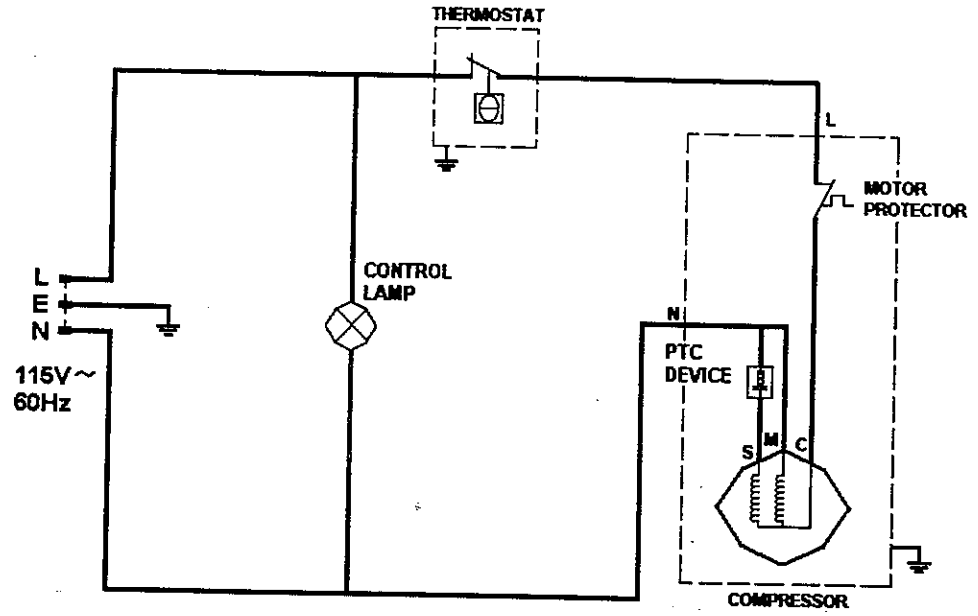
LIMITED SECOND THROUGH FIFTH YEAR WARRANTY

For the second through the fifth year from date of original purchase, Avanti Products will provide a replacement compressor free of charge due to a failure. You are responsible for the service labor and freight charges. In rental or commercial use, the limited compressor warranty is one year and nine months. Cost to move the appliance to the servicers' shop and back to the user's home, as may be required, are the user's responsibility.

WHAT IS NOT COVERED

- Content losses of food or other, due to spoilage.
- Incidental or consequential damages.
- Parts and labor costs for the following will not be considered as warranty:
 - Evaporator doors, door springs, and/or frames.
 - Inner door panels, door shelves, door rails, and/or door supports.
 - Chest freezer lid liners.
 - Vegetable crispers.
 - Light bulbs and/or plastic housing.
 - Plastic cabinet liners.
 - Punctured evaporator that voids the warranty on the complete sealed system.
- Repairs performed by unauthorized servicers.
- Service calls that do not involve defects in material or workmanship such as customer education, door reversal, or proper installation.
- Service calls that are related to external problems, such as abuse, misuse, inadequate electrical power, accidents, fire, floods, or acts of God.
- Replacement of house fuses or resetting circuit breakers.
- Failure of the product if it is used for other than its intended purpose.
- This warranty does not apply outside the continental U.S.A.

WIRING DIAGRAM



➤ **UBICACION**

1. Seleccione un lugar con piso firme y nivelado.
2. Su vinera requiere ventilación. Deje un espacio mínimo de 5" hacia arriba y espacio suficiente en la parte posterior para permitir la circulación de aire.
3. Evite luz directa del sol o calor. La luz directa del sol puede afectar la capa de pintura. Las fuentes de calor en su proximidad causarán consumo mayor de electricidad.
4. Para un mejor desempeño, nivele la vinera utilizando las patas ajustables o tornillos niveladores. Para verificar, abra la puerta hasta la mitad, debe regresar sola.
5. No instale la unidad donde la temperatura sea menor a 65° F (16°C)

➤ **INSTALACION**

Retire los accesorios de empaque (plásticos protectores, cartón y tiras engomadas). Limpie el exterior con un trapo suave y seco y el interior con un trapo húmedo y tibio.

➤ **PRECAUCIONES**

No guarde alimentos en la vinera.

La parte externa de la puerta de vidrio puede mostrar signos de humedad durante los meses de verano o en áreas de alta humedad, esto es el resultado natural de la condensación.

➤ **INSTRUCCIONES PARA LA CONEXION A TIERRA**

Este aparato electrodoméstico debe estar conectado a tierra. En caso de un cortocircuito eléctrico, la conexión a tierra reduce el riesgo de choque eléctrico proporcionando un cable de escape para la corriente eléctrica. Este aparato viene equipado con un cordón que posee un cable a tierra con un enchufe de conexión a tierra. Este enchufe debe estar conectado a un tomacorriente instalado correctamente y conectado a tierra.

➤ **NO USE UN CORDON DE EXTENSION ELECTRICA**

Use un tomacorriente exclusivamente de pared. No conecte su vinera a cordones de prolongación eléctrica o junto a cualquier otro electrodoméstico en el mismo tomacorriente de pared.

➤ **OPERACION**

Enchufe el cable al tomacorriente, que debe ser 115-120v, 10 AMP o más. Para evitar vibraciones, la caja debe estar bien nivelada. Para encender el refrigerador, gire el control de temperatura a la posición que corresponda al enfriamiento deseado. Bajo condiciones normales mueva el control a la posición "NORMAL".

➤ **USANDO SU VINERA**

Le recomendamos que instale su vinera en un lugar donde la temperatura esté entre los 72° a 78° Fahrenheit. Si la temperatura ambiental es mayor o menor que la temperatura recomendada, el funcionamiento de la unidad podría ser afectado. Por ejemplo, si mantiene la unidad en condiciones de calor o frío extremo, puede ocasionar que la temperatura interna fluctúe y que no se alcance el rango de 45° a 65° Fahrenheit.

CONTROL DE TEMPERATURA

- La primera vez que encienda la unidad, ponga el control de temperatura en la posición "MAX"(máximo).
- Las posiciones del control de temperatura son "OFF" (apagado), "MIN"(mínimo), "NORMAL"(normal) y "MAX"(máximo). Luego de 20 minutos, ajuste la temperatura a "NORMAL". La posición "NORMAL" es la indicada cuando usted use el refrigerador de vinos en la casa o la oficina.
- Para apagar la unidad, ajuste la temperatura a "OFF" (apagado).

NOTA:

- Al posicionar la temperatura en "OFF" , se detiene el ciclo de enfriamiento pero no interrumpe el flujo de electricidad a la unidad.
- Si desconecta o apaga la unidad o se interrumpe la energía, espere de 3 a 5 minutos antes de encenderla, de lo contrario la unidad no arrancará.
- El rango de temperatura entre "MAX" y "MIN" es de 45° F y 65° F, lo cual es ideal para el almacenaje de vinos.

➤ **TEMPERATURA RECOMENDADA PARA ENFRIAR EL VINO**

Vino tinto	59-65°F
Vino blanco / seco	49-56°F
Vino rose / Zinfandel	49-51°F
Vino blanco / espumante	45-49°F

Estas temperaturas pueden fluctuar dependiendo si las botellas son colocadas en la sección superior, media o inferior.

➤ **ESTANTES:**

Para acomodar varios tamaños de botellas, los estantes se deslizan hacia afuera y pueden moverse hacia arriba o hacia abajo en cualquiera de los rieles moldeados a los lados.

Para remover los estantes, coloque los brazos por debajo y empuje suavemente hacia arriba. Deslice el estante hacia afuera.

➤ **CERRADURA:**

Por razones de seguridad, su vinera está equipada con una cerradura y llave.

Para eliminar el riesgo que un niño quede atrapado accidentalmente, la puerta no se cierra con seguro hasta que la llave sea removida.

Dos llaves están incluidas con la cerradura.

➤ **ECONOMIA DE ENERGIA**

- Evite dejar por mucho tiempo la puerta abierta.
- Evite aperturas frecuentes de la puerta.
- Coloque el botón de control de temperaturas en la posición adecuada.

➤ **CUIDADOS DURANTE PERIODOS DE AUSENCIA**

- Para cortos períodos de ausencia (menos de 21 días) el refrigerador podrá quedarse funcionando. Coloque el botón de control de temperatura en la posición mínima.
- En períodos de ausencia más largos, se aconseja dejar el refrigerador limpio y desconectado.
- Retire todo lo que tenga adentro del refrigerador y haga la limpieza general.
- Deje la puerta entreabierta para que penetre el aire y así evitar la formación de olores.

➤ **ADVERTENCIA IMPORTANTE**

Una vinera vacía es una atracción muy peligrosa para los niños. Quite los sellos magnéticos, puertas o cerraduras de todo electrodoméstico que no esté en uso.