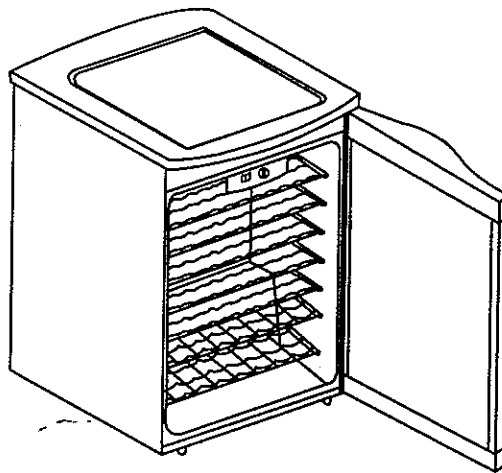




**WINE COOLER
INSTRUCTION MANUAL**

**Model Number:
WC500CL**



CAUTION:

BEFORE USE, PLEASE READ AND FOLLOW ALL SAFETY RULES AND OPERATING INSTRUCTIONS.

Avanti has a policy of continuous improvement on its products and reserves the right to change materials and specifications without notice.

**Avanti Products, A Division of The Mackle Co., Inc.
P.O. Box 520604 - Miami, Florida 33152
www.avantiproducts.com**

Warranty Information

Thank you for purchasing this fine Avanti product. Please fill out this card and return it within 100 days of purchase and receive these important benefits:

- **Confirm your warranty:**
Your prompt product registration confirms your right to the protection available under the terms and conditions of your Avanti warranty.
- **Protect your product:**
We will keep the model number and date of purchase of your new Avanti product on file to help you refer to this information in the event of an insurance claim such as fire or theft.
- **Promote better products:**
We value your input. Your response will help us develop products designed to best meet your future needs.

------(detach here)-----

Avanti Registration Card

Name _____			Model # _____	Serial # _____
Address _____			Date Purchased _____	Store/Dealer Name _____
City _____	State _____	Zip _____	Occupation _____	
Area Code _____	Phone Number _____	As Your Primary Residence, Do You:		
Did You Purchase An Additional Warranty:		<input type="checkbox"/> Own <input type="checkbox"/> Rent		
<input type="checkbox"/> Extended <input type="checkbox"/> Food Loss <input type="checkbox"/> None		Your Age:		
Reason For Choosing This Avanti Product:		<input type="checkbox"/> under 18 <input type="checkbox"/> 18-25 <input type="checkbox"/> 26-30		
Please indicate the most important factors that influenced your decision to purchase this product.		<input type="checkbox"/> 31-35 <input type="checkbox"/> 36-50 <input type="checkbox"/> over 50		
<input type="checkbox"/> Price		Marital Status:		
<input type="checkbox"/> Product Features		<input type="checkbox"/> Married <input type="checkbox"/> Single		
<input type="checkbox"/> Avanti Reputation		Is This Product Used In The:		
<input type="checkbox"/> Product Quality		<input type="checkbox"/> Home <input type="checkbox"/> Business		
<input type="checkbox"/> Salesperson Recommendation		How Did You Learn About This Product:		
<input type="checkbox"/> Friend/Relative Recommendation		<input type="checkbox"/> Advertising <input type="checkbox"/> Product Features		
<input type="checkbox"/> Warranty		<input type="checkbox"/> In Store Demo <input type="checkbox"/> Personal Demo		
<input type="checkbox"/> Other _____		<input type="checkbox"/> Other _____		
Comments _____		Comments _____		

HELP US HELP YOU...

Read this guide carefully.

It is intended to help you operate and maintain your new wine cooler properly.

Keep it handy to answer your questions. If you don't understand something or you need more help, please call:

Avanti Customer Service
800-220-5570

Keep proof of original purchase date (such as your sales slip) with this guide to establish the warranty period.

CAUTION:

THIS WINE COOLER IS NOT
DESIGNED FOR THE STORAGE OF
MEDICINE OR OTHER MEDICAL
PRODUCTS.

Write down the model and serial numbers.

You'll find them on a label located on the left back side of the unit.

Please write these numbers here:

Date of Purchase

Model Number

Serial Number

Use these numbers in any correspondence or service calls concerning your wine cooler.

If you received a damaged wine cooler, immediately contact the dealer (or builder) that sold you the wine cooler.

Save time and money. Before you call for service, check the Problem Solver Guide. It lists causes of minor operating problems that you can correct yourself.

IF YOU NEED SERVICE

We're proud of our service and want you to be pleased. If for some reason you are not happy with the service you receive, here are some steps to follow for further help.

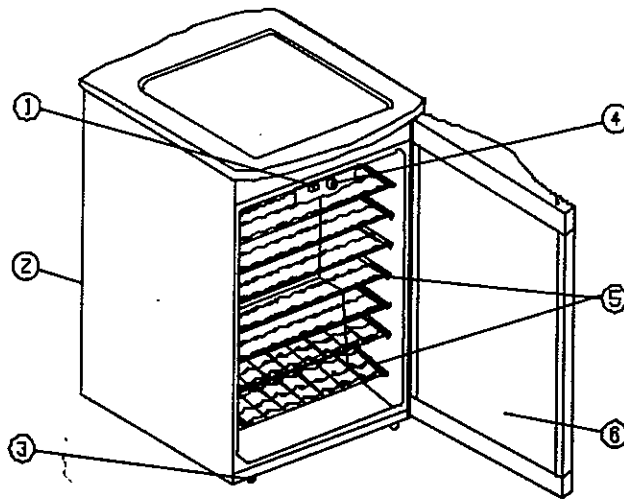
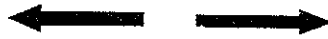
FIRST, contact the people who serviced your appliance. Explain why you are not pleased. In most cases, this will solve the problem.

NEXT, if you are still not pleased, write all the details, including your telephone number, and send to:

Customer Service
Avanti Products
10880 NW 30 Street
Miami, FL 33172

PARTS AND FEATURES

REVERSIBLE DOOR



- ① INTERIOR LAMP WITH ON/OFF SWITCH
- ② FLUSH BACK DESIGN
- ③ ADJUSTABLE LEVELING LEG
- ④ ADJUSTABLE THERMOSTAT KNOB
- ⑤ SLIDE OUT SHELVES
- ⑥ TEMPERED-GLASS DOOR

Table of Contents

Registration Information _____	2
Help Us Help You _____	3
Parts and Features _____	4
Important Safety Instructions _____	6
Installation Instructions _____	6
Before Using Your Wine Cooler _____	6
Installation of Your Wine Cooler _____	6
Reversing the Door Swing of Your Wine Cooler _____	7
Operating Your Wine Cooler _____	8
Temperature Control _____	8
Care and Maintenance _____	8-9
Changing Your Light Bulb _____	8-9
Cleaning Your Wine Cooler _____	9
Maintenance of Your Wine Cooler _____	9
Vacation Time _____	9
Moving Your Wine Cooler _____	9
Troubleshooting Guide _____	10
Service For Your Wine Cooler _____	11
Your Avanti Products Warranty _____	12
WC500CL Wiring Diagram _____	13
Spanish Section _____	14-16

Important Safety Instructions

⚡ WARNING ⚡

To reduce the risk of fire, electrical shock, or injury when using your appliance, follow these basic precautions:

- Read all instructions before using the appliance.
- **DANGER or WARNING:** Risk of child entrapment.
- Child entrapment and suffocation are not problems of the past. Junked or abandoned appliances are still dangerous. . . even if they will "just sit in the garage a few days."
- **Before you throw away your old refrigerator or freezer:** Take off the doors. Leave the shelves in place so that children may not easily climb inside.
- Never allow children to operate, play with, or crawl inside the appliance.
- Never clean appliance parts with flammable fluids. The fumes can create a fire hazard or explosion.
- Do not store or use gasoline or any other flammable vapors and liquids in the vicinity of this or any other appliance. The fumes can create a fire hazard or explosion.

-Save these instructions-

INSTALLATION INSTRUCTIONS

➤ Before Using Your Wine Cooler

- Remove the exterior and interior packing.
- Check to be sure the following parts are included:
 - 7 slide out shelves
 - 2 Keys
 - Instruction manual
- Before connecting the appliance to the power source, let it stand upright for approximately 2 hours. This will reduce the possibility of a malfunction in the cooling system from handling during transportation.
- Clean the interior surface with lukewarm water using a soft cloth.

➤ Installation of Your Wine Cooler

- Place your appliance on a floor that is strong enough to support the appliance when it is fully loaded. To level your appliance, adjust the legs at the front of the appliance.
- For recessed installation allow ½ inch of space between the sides of the appliance as well as the back and top. This will allow proper air circulation.
- Locate the appliance away from direct sunlight and sources of heat (stove, heater, radiator, etc.). Direct sunlight may affect the acrylic coating and heat sources may increase electrical consumption. Extreme cold ambient temperatures may also cause the appliance not to perform properly.
- Avoid locating the appliance in moist areas. Too much moisture in the air will cause frost to form quickly on the evaporator.
- Plug the appliance into an exclusive properly installed-grounded wall outlet. Do not under any circumstances cut or remove the third (ground) prong from the power cord. Any questions concerning power and or grounding should be directed toward a certified electrician or an authorized Avanti Products service center.

Warning

Improper use of the grounded plug can result in the risk of electrical shock. If the power cord is damaged, have it replaced by an authorized Avanti Products service center.

Reversing the Door Swing of Your Wine Cooler

This wine cooler has the capability of either opening the door from the left or right side. The unit is delivered to you with the door opening from the left side. Should you desire to reverse the opening direction, please follow these instructions.

NOTE:

All parts removed must be saved to do the reinstallation of the door.

- Remove the two back plugs (11) and two front plugs (12) located in the top cover.
- Remove the four screws (10) holding the top cover(9). Place the top cover(9) on a padded surface to prevent scratching it.
- Remove the upper right hinge (7), holding the door in place.
- Lift the door and place it on a padded surface to prevent scratching it.
- Lay the unit on its back against a solid surface at an angle of no less than 45 degrees.
- Remove the upper hinge pin (8) from the hinge (7).
- Replace the right upper hinge (7) to its original location.
- Remove the two bolts (2) that hold the lower right hinge (5).
- Remove the front leg (3) and the lower hinge pin (4) from the lower hinge (5).
- Save the lower hinge assembly for later use.
- Remove the lower hinge (1) and transfer it to the opposite side, reversing the direction 180 degrees, where the lower right hinge (5) was previously located.
- Transfer the lower hinge previously removed to opposite side, where the left lower hinge (1) was located, reversing the direction 180 degrees. Then insert the front leg (3), the two bolts and the pin(4).
- While holding the door in the closed position, secure the lower hinge on the left side of the frame, by screwing the bolts (2) in. Do not tighten until door is level.
- Remove the upper left hinge (6) and insert the upper hinge pin (8).
- Replace the upper left hinge (6) with pin (8) to secure the door.
- Place the top cover by inserting all four screws previously removed in step 2.
- Insert all the plugs previously removed in step 1.

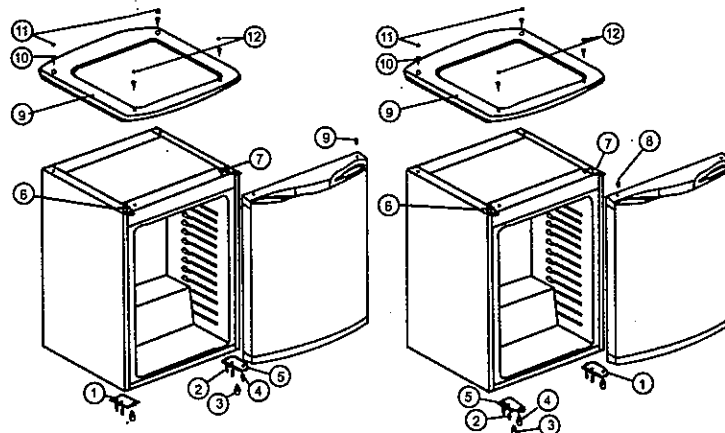


FIGURE I

Position prior to door reversal

- ① lower Left hinge
- ② Bolt
- ③ Front leg
- ④ Lower hinge pin
- ⑤ Lower right hinge
- ⑥ Upper left hinge

FIGURE II

Position after to door reversal

- ⑦ Upper right hinge
- ⑧ Upper hinge pin
- ⑨ Top cover
- ⑩ Screw
- ⑪ Back plugs
- ⑫ Front plugs

OPERATING YOUR WINE COOLER

> Temperature Control

- The first time you turn the unit on, set the temperature control to "MAX" position.
- The settings of the temperature control are "OFF", "MIN", "NORMAL" and "MAX". After 20 minutes, adjust the temperature control setting to "NORMAL". The setting of "NORMAL" should be correct for home or office wine cooler use.
- To turn the wine cooler off, turn the temperature control to "OFF".

NOTE:

- Turning the temperature control to "OFF" position stops the cooling cycle, but does not shut off the power to the wine cooler.
- If the unit is unplugged, power lost, or turned off, you must wait 3 to 5 minutes before restarting the unit. If you attempt to restart before this time delay, the wine cooler will not start.
- The range between "MAX" and "MIN" is from 45° F to 65° F, which is ideal for the storage of wines.

It is recommended you install the wine cooler in a place where the ambient temperature is between 72-78 degrees Fahrenheit. If the ambient temperature is above or below recommended temperatures, the performance of the unit may be affected. For example, placing you unit in extreme cold or hot conditions may cause interior temperatures to fluctuate. The range of 45-65 degrees Fahrenheit may not be reached.

If the interior light is left on, the temperature inside the wine cooler will be higher.

Recommended Temperatures For Chilling Wine

	<u>Degrees</u>	<u>Control Position</u>
Red Wines:	59-65° F	Min
Dry/White Wines	49-56° F	Normal
Sparkling Wines	45-49° F	Max
Rose Wines	49-51° F	Normal

Temperature Range Guide

MIN	59-65°F
MED	50-56°F
MAX	45-50°F

The above temperatures may fluctuate depending on whether or not the interior bulb is on or off or whether the bottles are located on the upper/middle or lower section.

CARE AND MAINTENANCE

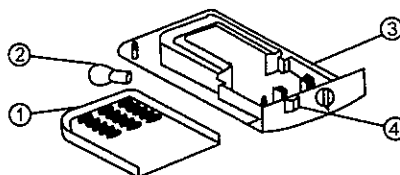
> CHANGING THE LIGHT BULB

NOTE:

All parts removed must be saved to do the replacement of the light bulb.
Before removing the light bulb, either unplug the refrigerator or disconnect the electricity leading into the refrigerator at the main power supply. Failure to do so could result in electrical shock or personal injury.

- Move the light switch (4) to the "OFF" position.
- Remove the light bulb cover (1) by pulling the bottom end of the light bulb cover gently.
- Unscrew the bulb (2).

- Replace with a 10 watt-refrigerator bulb that is the same shape and size.
- Replace the light bulb cover and tighten screw (1).



① Bulb Cover ② Bulb
 ③ Housing ④ Light Switch

Note: Light bulb should not exceed 15 watts.

➤ **Cleaning Your Wine Cooler**

- Turn the temperature control to "OFF", unplug the wine cooler, and remove the bottles.
- Wash the inside with a warm water and baking soda solution. The solution should be about 2 tablespoons of baking soda to a quart of water.
- Wash the shelves and trays with a mild detergent solution.
- The outside of the wine cooler should be cleaned with mild detergent and warm water.
- It may also be necessary to periodically wipe the bottom part of the storage area, as the wine cooler is designed to retain humidity, and condensation may collect there.

➤ **Maintenance of Your Wine Cooler**

• **Power Failure**

Most power failures are corrected within a few hours and should not affect the temperature of your wine cooler if you minimize the number of times the door is opened. If the power is going to be off for a longer period of time, you need to take the proper steps to protect your contents.

➤ **Vacation Time**

During long absences, remove all the bottles; unplug your wine cooler, clean your wine cooler, and leave the door open slightly to avoid possible formation of condensation, mold, or odors.

➤ **Moving Your Wine Cooler**

- Remove all the bottles.
- Securely tape down all loose items inside your wine cooler.
- Turn the leveling screws up to the base to avoid damage.
- Tape the doors shut.
- Be sure the wine cooler stays in the upright position during transportation.

➤ **Lock On Door**

Your unit is provided with a lock and key combination.

The key is located inside the plastic bag that contains User's Guide. Insert the key into the lock and turn it counterclockwise to unlock the door. To lock the door do the reverse operation making sure metal pin is engaged completely. Remove the key and place it in a secure place for safekeeping.

PROBLEMS WITH YOUR WINE COOLER?

You can solve many common wine cooler problems easily, saving you the cost of a possible service call. Try the suggestions below to see if you can solve the problem before calling the

servicer.

TROUBLESHOOTING GUIDE

PROBLEM	POSSIBLE CAUSE
Wine cooler does not operate.	Not plugged in. The circuit breaker tripped or blown fuse. The wine cooler temperature control is set at "OFF".
Wine cooler is not cold enough.	Check to be sure the temperature control setting is at "MAX". External environment may require a higher setting. The door is opened too often. The door is not closed completely. The door gasket does not seal properly. The wine cooler does not have the correct clearances.
Compressor turns on and off frequently.	The room temperature is hotter than normal. A large amount of contents has been added to the wine cooler. The door is opened too often. The door is not closed completely. The temperature control is not set correctly. The door gasket does not seal properly. The wine cooler does not have the correct clearances.
The light does not work.	The home circuit breaker or fuse has tripped. The wine cooler is unplugged. The bulb has burned out (see maintenance section for the replacement procedure). The switch is in the "OFF" position.
Vibrations.	Check to assure that the wine cooler is level.
The wine cooler seems to make too much noise.	The rattling noise may come from the flow of the refrigerant, which is normal. As each cycle ends, you may hear gurgling sounds caused by the flow of refrigerant in your wine cooler. Contraction and expansion of the inside walls may cause popping and crackling noises. The wine cooler is not level.
The door will not close properly.	The wine cooler is not level. The doors were reversed and not properly installed. The gasket is dirty. The shelves are out of position.

SERVICE FOR YOUR WINE COOLER

We are proud of our customer service organization and the network of professional service technicians that provide service on your Avanti appliances. With the purchase of your Avanti appliance, you can have the confidence that if you ever need additional information or assistance, the Avanti Products Customer Service team will be here for you. Just call us toll-free.

AVANTI PRODUCTS CUSTOMER SERVICES

Product Information 800-323-5029	Whatever your questions are about our products, help is available.
Part Orders 800-220-5570	You may order parts and accessories that will be delivered directly to your home. You may order these items by personal check, money order, Master Card, or Visa.
In-Home Repair Service 800-220-5570	An Avanti Products authorized service center will provide expert repair service, scheduled at a time that is convenient for you. Our trained servicers know your appliance inside and out.

YOUR Avanti Products WARRANTY

Staple your sales receipt here. Proof of original purchase date is needed to obtain service under warranty.

WHAT IS COVERED

LIMITED ONE-YEAR WARRANTY

For one year from the date of purchase by the original owner, Avanti Products will, at its option, repair or replace any part of the wine cooler which proves to be defective in material or workmanship under normal use. During this period Avanti Products will provide all parts and labor necessary to correct such defects free of charge, so long as the appliance has been installed and operated in accordance with the written instructions in this manual. In rental or commercial use, the warranty period is 90 days.

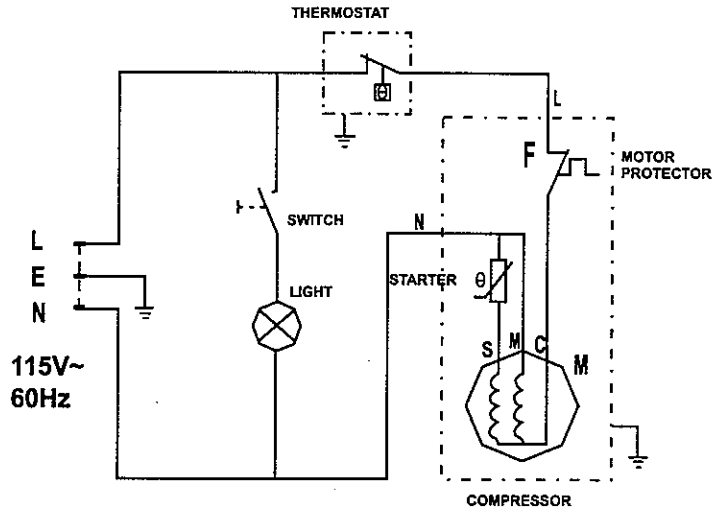
LIMITED SECOND THROUGH FIFTH YEAR WARRANTY

For the second through the fifth year from date of original purchase, Avanti Products will provide a replacement compressor free of charge due to a failure. You are responsible for the service labor and freight charges. In rental or commercial use, the limited compressor warranty is one year and nine months. Cost to move the appliance to the servicers' shop and back to the user's home, as may be required, are the user's responsibility.

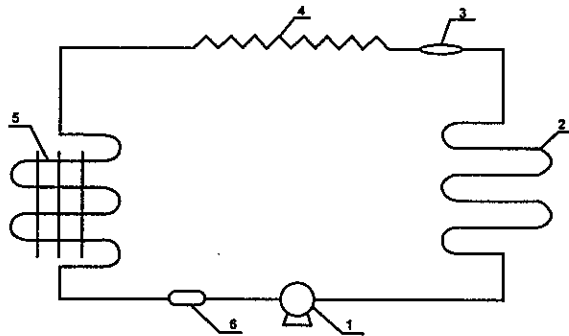
WHAT IS NOT COVERED

- Content losses of food or other, due to spoilage.
- Incidental or consequential damages.
- Parts and labor costs for the following will not be considered as warranty:
 - Evaporator doors, door springs, and/or frames.
 - Inner door panels, door shelves, door rails, and/or door supports.
 - Chest freezer lid liners.
 - Vegetable crispers.
 - Light bulbs and/or plastic housing.
 - Plastic cabinet liners.
 - Punctured evaporator that voids the warranty on the complete sealed system.
- Repairs performed by unauthorized servicers.
- Service calls that do not involve defects in material or workmanship such as customer education, door reversal, or proper installation.
- Service calls that are related to external problems, such as abuse, misuse, inadequate electrical power, accidents, fire, floods, or acts of God.
- Replacement of house fuses or resetting circuit breakers.
- Failure of the product if it is used for other than its intended purpose.
- This warranty does not apply in any foreign country.

WC500CL WIRING DIAGRAM



COOLING SYSTEM



- 1.Compressor 2.Condenser 3.Filter and Drier 4.Capillary
 5.Evaporator 6.Accumulator

INSTRUCCIONES DE SEGURIDAD

ATENCION

INSTRUCCIONES PARA LA CONEXION A TIERRA

Este aparato electrodoméstico debe estar conectado a tierra. En caso de un cortocircuito eléctrico, la conexión a tierra reduce el riesgo de choque eléctrico proporcionando un cable a tierra con una enchufe de conexión a tierra. Este enchufe debe estar conectado en un tomacorriente instalado correctamente y conectado a tierra.

ADVERTENCIA – El uso inadecuado del enchufe de conexión a tierra puede resultar en un riesgo de choque eléctrico. Consulte con un electricista o persona de reparaciones competente si no comprenden bien las instrucciones de conexión a tierra o si existe alguna duda sobre si el aparato esta conectado a tierra correctamente.

NO USE UN CORDON DE PROLONGACION ELECTRICA

Use un tomacorriente de pared exclusivo. No conecte su vinera a cordones de prolongación eléctrica o junto a cualquier otro electrodoméstico en el mismo tomacorriente de pared.

ADVERTENCIA IMPORTANTE:

Una vinera vacía es una atracción muy peligrosa para los niños. Saque todas las juntas, pestillos, tapas o puerta de todo electrodoméstico que no esté en uso, o tome alguna medida para asegurar que no presente peligro.

> **INSTRUCCIONES DE INSTALACION**

Saque los embalajes exteriores, limpie bien el exterior con un paño suave seco, y el interior con un paño húmedo y tibio. Evite colocar la vinera cerca de una fuente de calor, luz de sol directa, o lugar húmedo.

> **Ubicación**

1. Seleccione un lugar con su piso fuerte y nivelado.
2. Deje una pulgada de espacio entre la parte posterior de la vinera y toda pared contigua.
3. Evite la luz directa del sol o calor. La luz directa del sol puede afectar la capa de acrílico. Las fuentes de calor en su proximidad provocarán un consumo mayor de electricidad.

> **OPERACION**

Para evitar vibraciones, el compartimiento interior debe estar bien nivelado. Para encender la vinera, gire el control de temperatura a la posición que corresponda a la temperatura deseada. La temperatura variará dependiendo de la cantidad de botellas almacenadas y la frecuencia con que se abre la puerta.

Gire el control a la posición "OFF" (apagado) para desconectar el ciclo de enfriamiento. Cuando la vinera no se use por un período largo, desconecte el enchufe y deje la puerta entreabierta.

Nota: Espere entre 3 a 5 minutos antes de volver a encender si el funcionamiento ha sido interrumpido.

DISCO DEL TERMOSTATO: (Instalado en la parte superior) Para controlar la temperatura dentro del refrigerador para vinos.

- La primera vez que encienda la unidad, gire el control a la posición "MAX".
- Después de 20 minutos, mueva el control a la posición "NORMAL".
- Para apagarlo, gire el control a la posición "OFF".

Se recomienda que Ud coloque su vinera en un lugar donde la temperatura ambiental se mantenga entre 23-25 grados centígrados.

Si la temperatura ambiental oscila afuera de esos límites, pueda afectar la temperatura de la caja.

Por ejemplo, si su unidad está situada en lugares donde hay temperaturas muy frías o calientes también puede afectar la temperatura de la caja.

Si la bombilla interior está siempre encendida, la temperatura de la caja estará más elevada.

Temperaturas recomendadas para enfriar vinos:

	<u>GRADOS</u>	<u>POSICION CONTROL</u>
Vinos secos:	10 - 14° C	NORMAL
Vinos rosados:	9.5 - 10.5° C	NORMAL
Vinos tintos:	14.5 - 18° C	MIN
Vinos espumosos:	7 - 9° C	MAX

Luz interior

La luz interior se controla manualmente y no funciona al abrir ni cerrar la puerta. Para prender la luz, presione el interruptor manual de la luz, ubicado en la parte superior del espacio interior de la vinera.

Descongelación

Su refrigerador para vinos ha sido diseñado con un sistema de descongelación de "ciclo automático".

Las superficies refrigeradas del compartimiento para vinos se descongela automáticamente, durante el ciclo "apagado" del control de enfriamiento (termostato). El agua descongelada del compartimiento es eliminada automáticamente, encauzándola hacia una bandeja de goteo ubicado en el compresor. La transferencia de calor del compresor evapora el agua.



Limpieza

Para limpiar el interior, use un paño suave con una solución de una cucharada de bicarbonato de sosa por cada cuarto de agua, o una solución de espuma de jabón suave, o un detergente suave. Para lavar las rejillas, sáquelas deslizándolas con cuidado, y use una solución de detergente suave; luego séquelas con un paño suave. Limpie el exterior con un paño húmedo suave y un poco de detergente suave o productos de limpieza para electrodomésticos.

Período de vacaciones

Para períodos cortos de vacaciones, deje los controles en la posición normal. Durante ausencias más largas;

- (a) saque todas las botellas,
- (b) desconecte la vinera del tomacorriente,
- (c) limpie bien el refrigerador para vinos,
- (d) deje la puerta abierta para evitar la formación de condensación, moho u olores.

Corte de corriente

La mayoría de los cortes de corriente se corrigen en una o dos horas y no afectarán las temperaturas de su vinera para vinos. Sin embargo, Ud. deberá reducir la cantidad de veces que abra la puerta cuando la corriente esté apagada. Durante los cortes de corriente de larga duración, tome medidas para proteger sus alimentos.

Si Ud. se muda

Saque o asegure todos los artículos dentro de su vinera. Para evitar que los tornillos nivelantes se averíen, gírelos completamente hacia la base.

➤ Cambio de la bombilla

Para cambiar la bombilla del compartimiento interior; Saque el tornillo que sujeta el protector de la bombilla; saque el protector. Reemplace la bombilla.

NOTA: *La bombilla no debe exceder de 15 vatios.*

Vuelva a colocar el protector de la bombilla.

Coloque nuevamente el tornillo que sujeta la cubierta.

Algunas reglas importantes para el uso correcto de la vinera.

- Las bebidas se deben guardar en botellas cerradas.
- No sobrecargue el compartimiento interior.
- No abra la puerta a menos que sea necesario.
- Si la vinera se guardara sin uso por períodos largos, se sugiere que, luego de una limpieza cuidadosa, se deje la puerta entreabierta para permitir que el aire circule dentro de la caja y evitar una posible formación de condensación, moho u olores.
- Nunca cubra los estantes del compartimiento para vinos con papel de aluminio o cualquier otro material para cubrir estantes que puedan obstruir la circulación del aire.

PRINTED IN CHINA