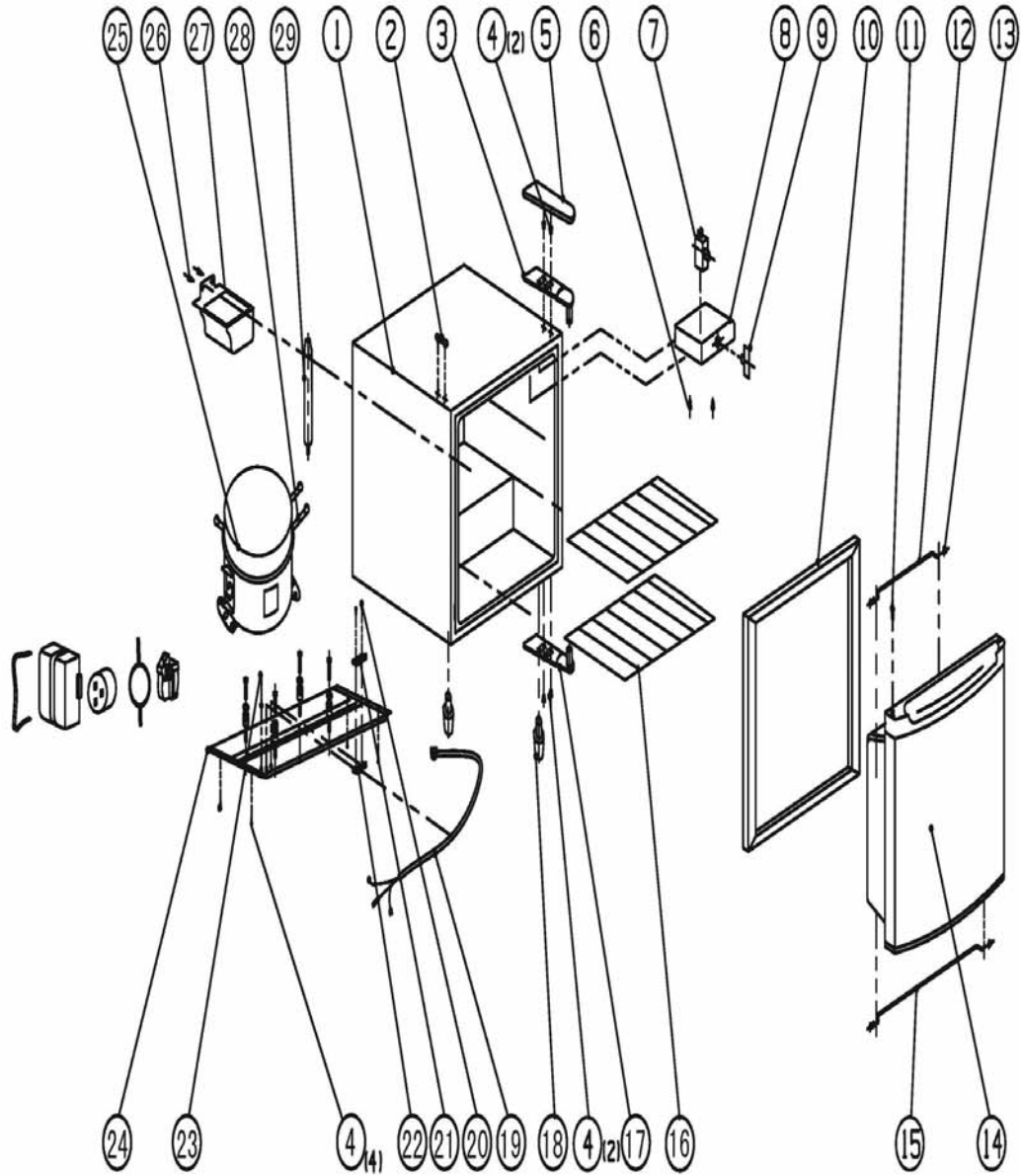


BC-49 Exploded View



BCA1801B-1 Spare Parts List

No.	Item Code(物料代码)	Material Name(物料名称)	Quantity (用量)
1	2.00.TQ010000-0	Foamed Cabinet(箱体)	1
2	1.06.TQ6211-001	Hinge Hole Cover(门铰孔盖)	1
3	1.11.01001TQ-01	Upper hinge(上铰链)	1
4	1.13.G50130-104	Flange Screw(法兰面螺栓)	8
5	1.06.TQ3211-001	Upper Hinge Cover(上铰链盖)	1
6	1.12.B39160-AB7	Self Tapping Screw (自攻螺钉)	2
7	1.32.2521X0-1TQ	Thermostat(温控器)	1
8	1.06.TQ4670-003	Thermostat enclosure(温控盒)	1
9	1.06.TQ0311-018	Temp.control knob(温控旋钮)	1
10	1.39.2TQ101-001	Door Gasket(门封条)	1
11	1.06.TQ4311-001	Door hinge plug(饰条塞)	1
12	1.42.81TQ02-001	Door Rack A(钢丝挡条A)	1
13	1.06.TQ6170-001	Door Rack Cover(挡条塞)	4
14	2.01.R2TQ01-001	Foamed Door(门体)	1
15	1.42.82TQ02-001	Door Rack B(钢丝挡条B)	1
16	1.42.41TQ02-003	Steel Wire Shelf(钢丝层架)	2
17	1.11.03001TQ-01	Lower hinge(下铰链)	1
18	1.06.TQ2170-001	Adjustable leg(可调底脚)	2
19	1.28.AA2006-001	Power Supply Cord(电源电缆)	1
20	1.13.Y40160-104	Y type Screw (Y型螺钉)	2
21	1.06.TQ2780-041	Clip of Power Supply	1
22		Cord(马鞍夹)	1
23	1.13.G60280-104	Flange Screw (法兰面螺钉)	4
24	1.11.04001TQ-02	Compressor Base(压缩机托板)	1
25	1.10.11068A-5XX	Compressor (压缩机)	1
26	1.13.A40160-104	Screw (螺钉)	2
27	1.06.TQ4421-003	Water disposal pan(接水盒)	
28	1.46.0500TQ-002	Process Tube (注液管)	1
29	1.46.0400TQ-001	Drier Filter (干燥过滤器)	1

YELLOW: part on BCA1801B-1 is different from same part on BCA1802SS-1

BCA1802SS-1 Spare Parts List

No.	Item Code(物料代码)	Material Name(物料名称)	Quantity (用量)
1	2.00.TQ010000-0	Foamed Cabinet(箱体)	1
2	1.06.TQ6211-001	Hinge Hole Cover(门铰孔盖)	1
3	1.11.01001TQ-01	Upper hinge(上铰链)	1
4	1.13.G50130-104	Flange Screw(法兰面螺栓)	8
5	1.06.TQ3211-001	Upper Hinge Cover(上铰链盖)	1
6	1.12.B39160-AB7	Self Tapping Screw (自攻螺钉)	2
7	1.32.2521X0-1TQ	Thermostat(温控器)	1
8	1.06.TQ4670-003	Thermostat enclosure(温控盒)	1
9	1.06.TQ0311-018	Temp.control knob(温控旋钮)	1
10	1.39.2TQ101-001	Door Gasket(门封条)	1
11	1.06.TQ4311-001	Door hinge plug(饰条塞)	1
12	1.42.81TQ02-001	Door Rack A(钢丝挡条A)	1
13	1.06.TQ6170-001	Door Rack Cover(挡条塞)	4
14	2.01.R1TQ41-001	Foamed Door(门体)	1
15	1.42.82TQ02-001	Door Rack B(钢丝挡条B)	1
16	1.42.41TQ02-003	Steel Wire Shelf(钢丝层架)	2
17	1.11.03001TQ-01	Lower hinge(下铰链)	1
18	1.06.TQ2170-001	Adjustable leg(可调底脚)	2
19	1.28.AA2006-001	Power Supply Cord(电源电缆)	1
20	1.13.Y40160-104	Y type Screw (Y型螺钉)	2
21	1.06.TQ2780-041	Clip of Power Supply Cord(马鞍夹)	1
22	1.13.G60280-104	Flange Screw (法兰面螺钉)	4
23	1.11.04001TQ-02	Compressor Base(压缩机托板)	1
24	1.10.11068A-5XX	Compressor (压缩机)	1
25	1.13.A40160-104	Screw (螺钉)	2
26	1.06.TQ4421-003	Water disposal pan(接水盒)	
27	1.46.0500TQ-002	Process Tube (注液管)	1
28	1.46.0400TQ-001	Drier Filter (干燥过滤器)	1

YELLOW: part on BCA1801B-1 is different from same part on BCA1802SS-1