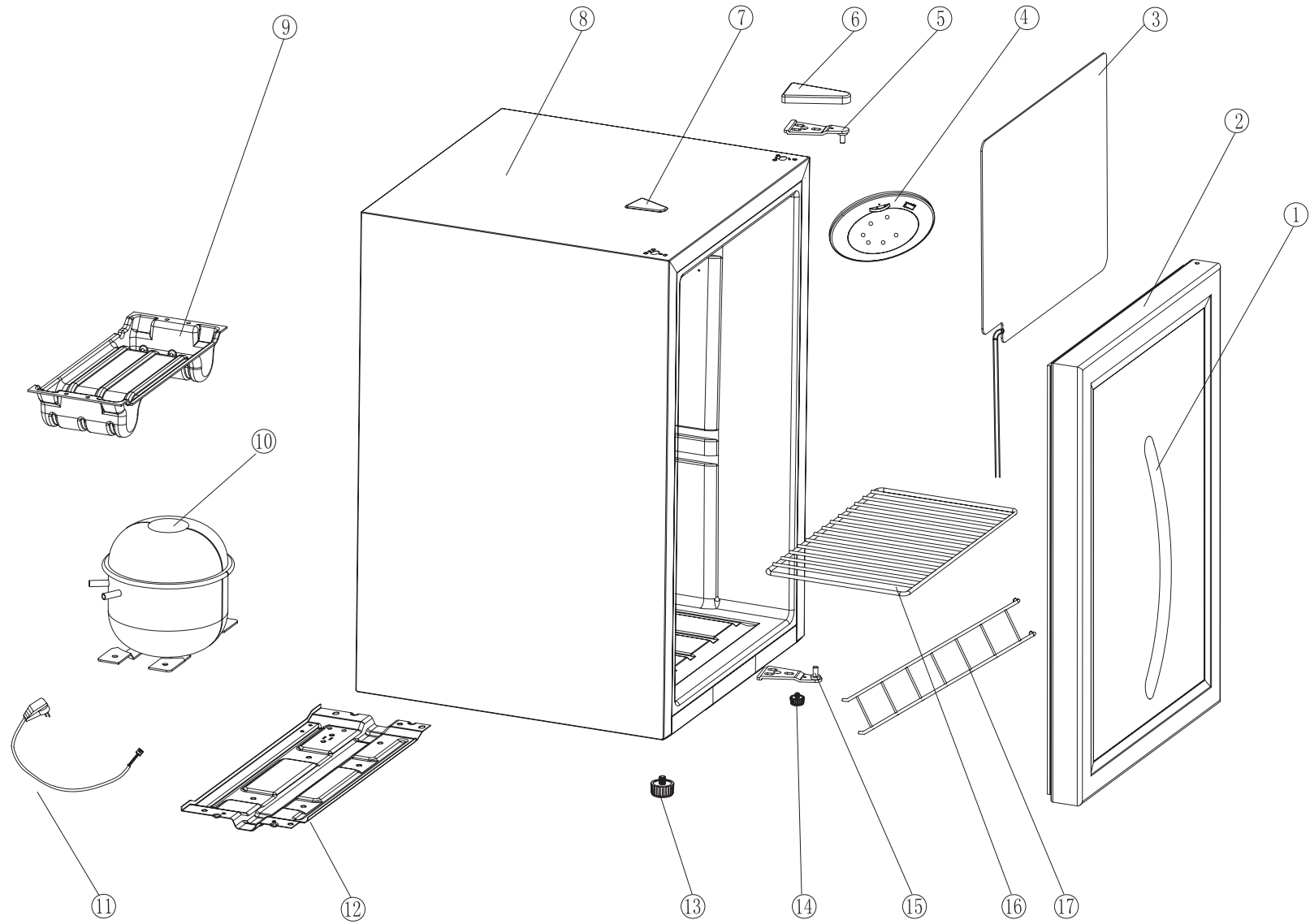


BCA31SS Explosion View



BCA31SS - Parts List

No.	Name	Material
1	S/S HANDLE	STAINLESS
2	DOOR	STAINLESS AND GLASS
3	EVAPORATOR	
4	LIGHT PARTS	
5	UPPER HINGE	
6	UPPER HINGE COVER	ABS
7	UPPER HINGE CUSHION	
8	CASE	
9	WATER TRAY	
10	COMPRSSOR ASSY.	
11	WIRE	
12	COMPRESSOR LOWER BOARD	
13	LARGE FOOT	
14	FOOT	ABS
15	LOWER HINGE	CHROME
16	SHELF	ABS
17	BOTTLE RACK	CHROME