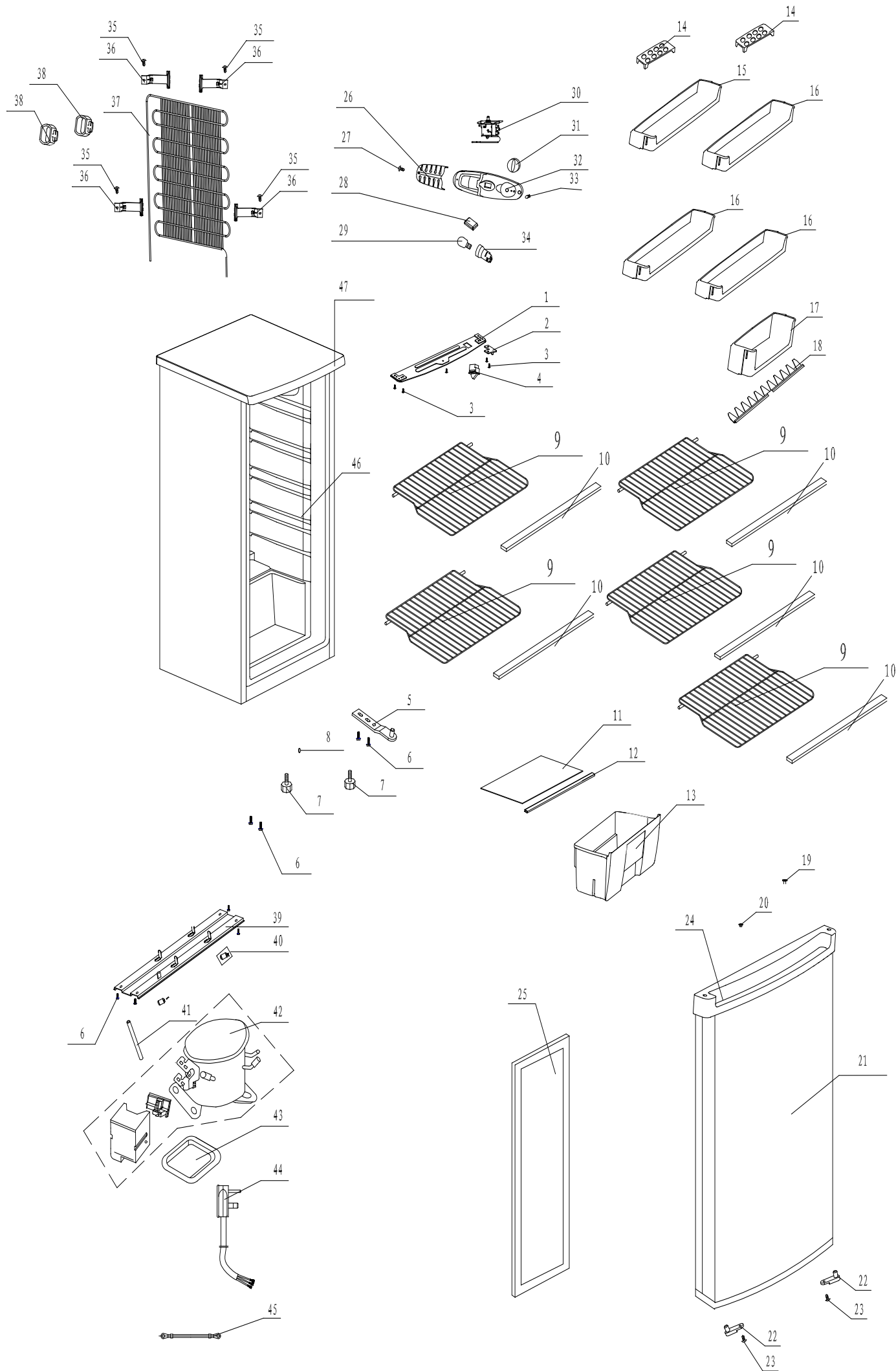


# Technical Service Manual

Model: MRF-268

Page 1



BCA886 PARTS LIST		
NO.	PARTS NUMBER	PARTS NAME
1	C0462.1-1	TOP PLATE
2	B0333.1-2	UPPER HINGER
3	BCD-248W.1-12	SCREW
4	B9911.4.1.1	LAMP SWITCH
5	C0435.1.2	LOWER HINGER
6	B0343.1-6	BOLT
7	BCD-185E.1.6	ADJUSTABLE FOOT
8	B0213.1-8	SCREW COVER
9	B0333.5-8	WIRE SHELF
10	B0105.5-8	WIRE SHELF PROFILE
11	C0435.5.1-1	CRISPER COVER
12	B0333.5-6	CRISPER COVER PROFILE
13	B0333.5-4	CRISPER
14	B0234.5-1	EGG TRAY
15	C0437.5-2	UPPER STORAGE SHELF
16	C0437.5-2	MIDDLE STORAGE SHELF
17	C0437.5-3	BOTTLE STORAGE SHELF
18	B0234.5-6	BOTTLE RETAINER
19	BCD-181C.2.1-4B	HINGE BUSH
20	B0213.2-1	HOLE COVER
21	C0462.2	FOAMED DOOR
22	BCD-185E.2.3-2B	STOPER
23	GB845-85	SCREW ST4.2*13-C-H
24	B0333.2.1-1	Handle
25	C0439.2.2	DOOR GASKET
26	B0172.4-2	LAMP COVER
27	GB845-85	SCREW ST2.9*16-C-H
28	B0239.1-9	THERMOSTAT HOLE COVER
29	BCD-185E.4-4	LAMP
30	C0435.4.4	THERMOSTAT
31	B0172.4-3	THERMOSTAT KNOB
32	B0172.4-1	THERMOSTAT BOX
33	B0172.4-5	HOLE COVER
34	BCD-256.4-6	LAMP SOCKET
35	B0232.3-1	SCREW
36	B0103.3-3	CONDENSOR HOLDER
37	C0439.3-1	CONDENSOR
38	B0335.5-8	SPACER
39	C0435.1-1	COMPRESSOR TRAVERSE
40	BCD-185E.1-38	ROLLER ASS.
41	Q/HBT-040	CHARGE PIPE
42		COMPRESSOR
43	B0109.3-4	WATER TRAY
44	B0175.4.4/F(3)	PLUG
45	B0351.4.3	EARTH CABLE
46	C0462.1.1	CABINET
47	C0462.1.1-1	TOP