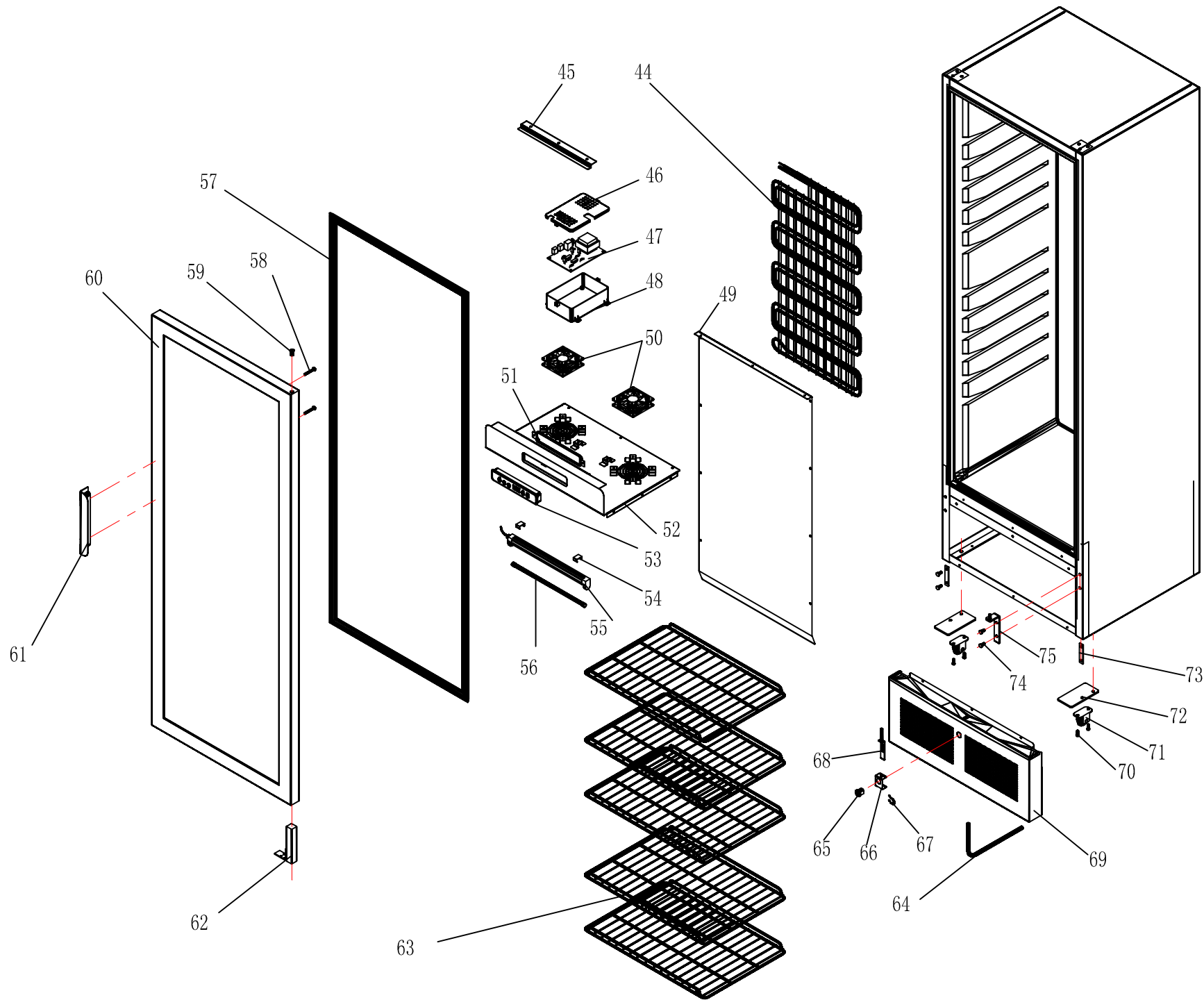


RXB338
BCAD338



RXB338
BCAD338

BCAD338 PART LIST

No	Part name	Qty
1	M6 Stud bolt	3
2	Upper hinge	1
3	Cabinet	1
4	Condenser	1
5	Mounting plate	1
6	Mounting plate of condenser	1
7	Condenser fixation	1
8	Dry filter	1
9	Pipe	3
10	Connect line box of Motor fan	1
11	Connect line box cover of Motor fan	1
12	Compressor leg	4
13	M6 Stud bolt	4
14	M6 Stud bolt	4
15	Back wheel	2
16	Mounting plate of back wheel	2
17	Compressor base	1
18	Earth wire	1
19	Main junction box	1
20	Cover of main junction box	1
21	Wire fixation	1
22	Connect line cover supporter	1
23	Connect line cover	1
24	PTC starter	1
25	Electric wire of compressor	1
26	Overload protector	1
27	Compressor	1
28	Pipe	1
29	Compressor leg supporter	4
30	Washer	4
31	M6 nut	4
32	Suction pipe	1
33	Electric wire of motor fan	1
34	Connect water dish	1
35	Power supply plug wire	1
36	Backboard	1
37	Motor fan fixation	1
38	Motor fan	1
39	Fan	1
40	Motor fan cover	1
41	Cover of condenser	1
42	Return pipe	1
43	Capillary	1
44	Evaporation	1
45	Inner top plate supporter	1
46	Cover of PCB board box	1
47	PCB board	1
48	Box of PCB board	1
49	Inner plate	1
50	DC fan	2
51	Control panel cover	1

52	Inner top plate	1
53	Control panel	1
54	Fluorescent lamp base fixation	2
55	Fluorescent lamp base	1
56	Fluorescent lamp	1
57	Door gasket	1
58	M4 Stud bolt	2
59	Door shaft cover	1
60	Door	1
61	Handle	1
62	Door closer	1
63	Shelf	5
64	Suction pipe	1
65	Lock	1
66	Lock fixation	1
67	Snap ring	1
68	Lock pole	1
69	Bottom grille	1
70	M6 Stud bolt	4
71	Front wheel	2
72	Mounting plate of front wheel	2
73	Lower hinge supporter	2
74	M6 Stud bolt	4
75	Lower hinge	1