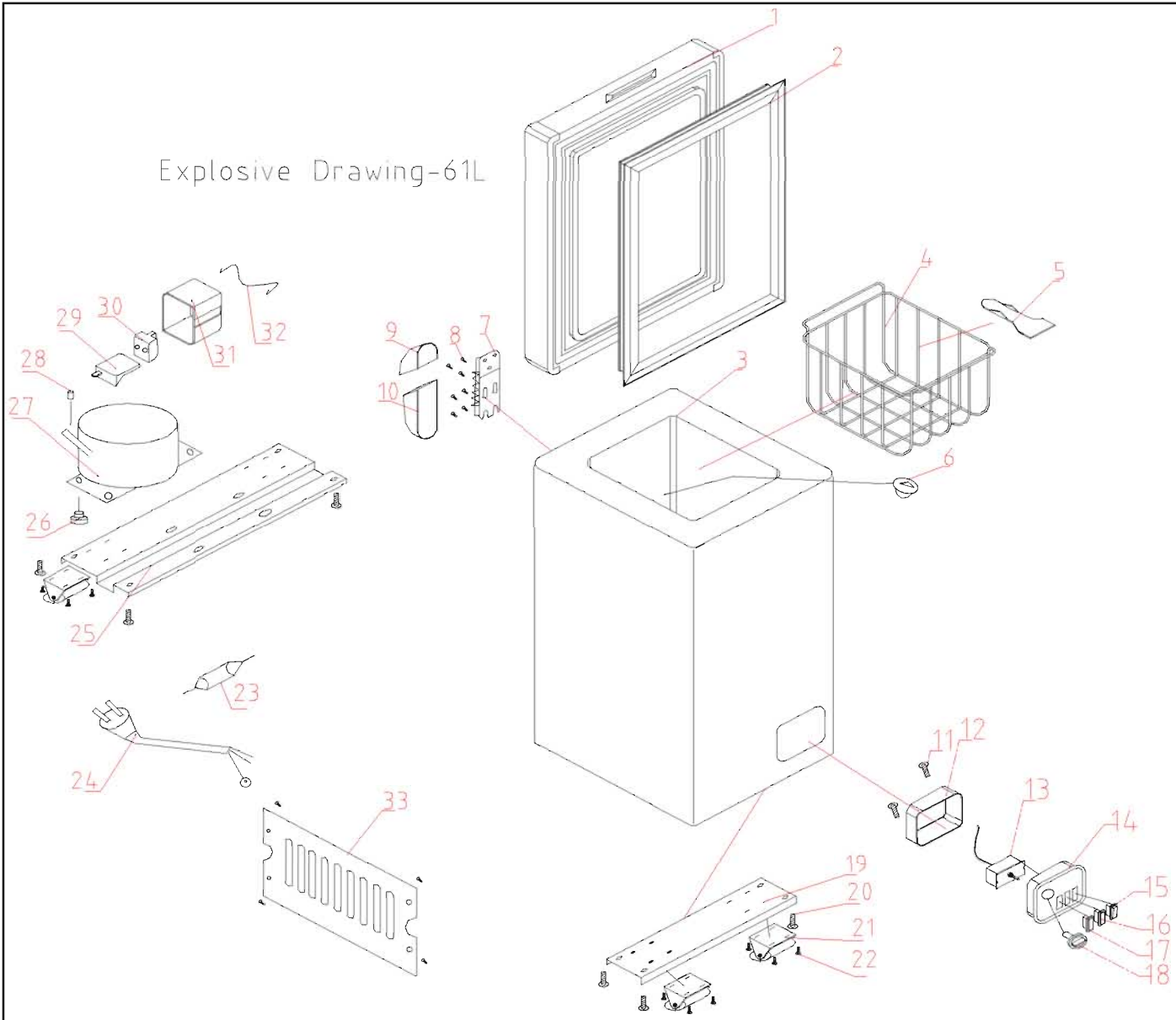


# Explosive Drawing-61L



## CF63

No	Drawing No.	Part No.	Part Name	Qty
1	NCE0-300	503700150268	Door	1
2	NCA5-305	501106150008	Gasket	1
3	NCE0-200	503705050597	Cabinet	1
4	NCA5-101	502903050012	Rack	1
5	B116. 5-1	501105040009	Ice Shovel	1
6	B205. 7. 4-2B	501115050063	Inner Cover	1
7	B205. 4	502905050005	Hinge	2
8			Screw	14
9	B205. 4-1	501115050159	Upper Hinge Cover	2
10	B205. 4-9	501115050160	Down Hinge Cover	2
11			Screw	2
12	B205. 1-6	501115050010	Thermostat Cover	1
13	WK-	502407000320	Thermostat	1
14	B205. 1-1	501115050038	Control Board	1
15	B205. 1-4	502408000021	Fast Freezer Switch	1
16	B205. 1-3	502410000018	Opertion Light	1
17	B205. 1-3	502410000014	Power Light	1
18	B101. 0-1	501105040016	Thermostat Knob	1
19	NCE0-102	500706150003	Front Cabinet Base	1
20			Self Topping Screw	8
21			Leg	4
22			Self Topping Screw	16
23	GLQ-0002	501602000031	Drier	1
24	B205. 0-1B	502401000008	Power Supply Cord	1
25	B204. 4	500714550004	Compressor Base	1
26	(SK30BZ)	501440200031	Grommet	4
27			Compressor	1
28			Screw	4
29			Overload Protecor	1
30			PTC Starter	1
31			Relay Cover	1
32			Relay Band	1
33	NCE0-103	501206150003	Shutter	1