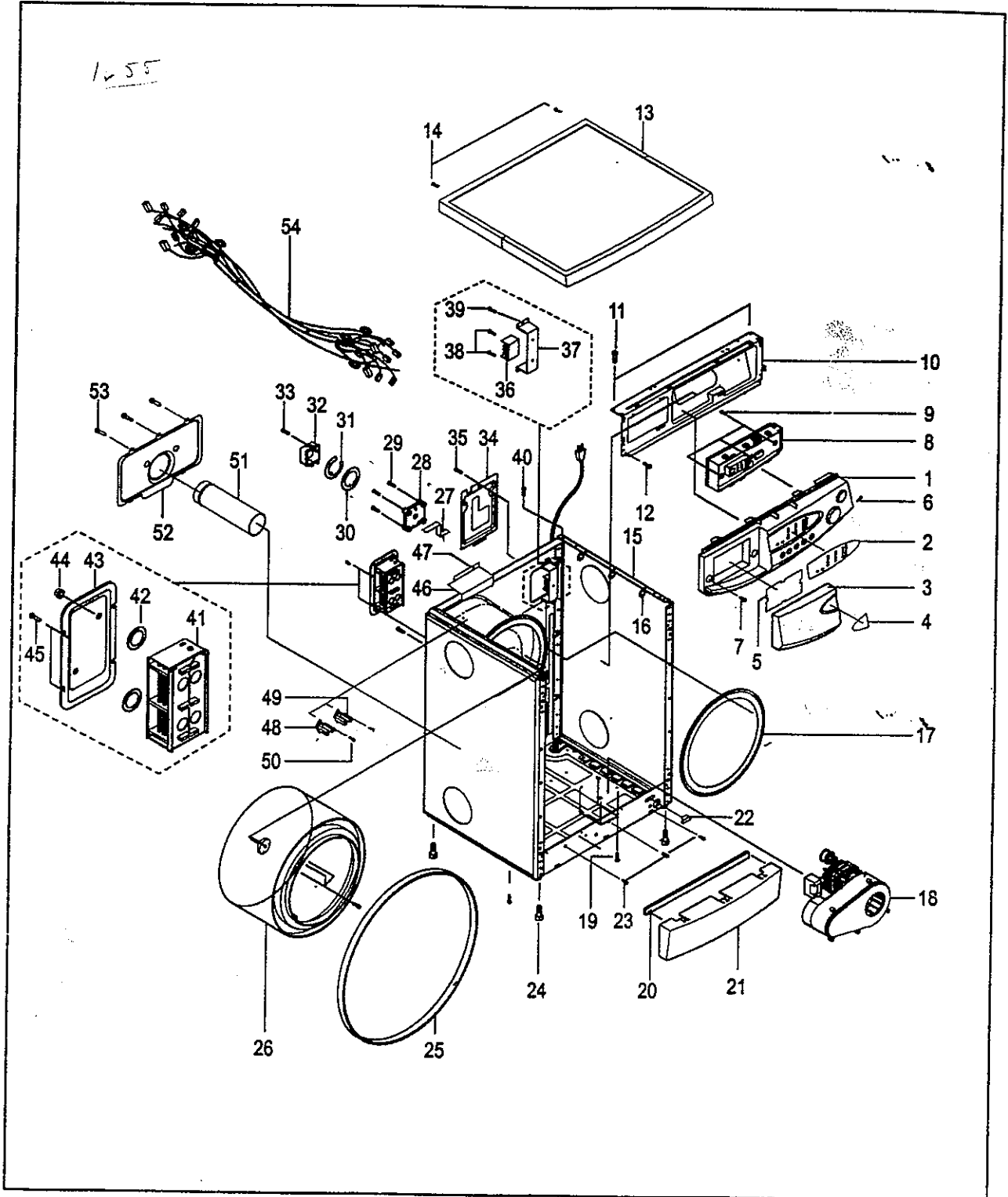


D-24 - Dryer

PARTS BREAKDOWN

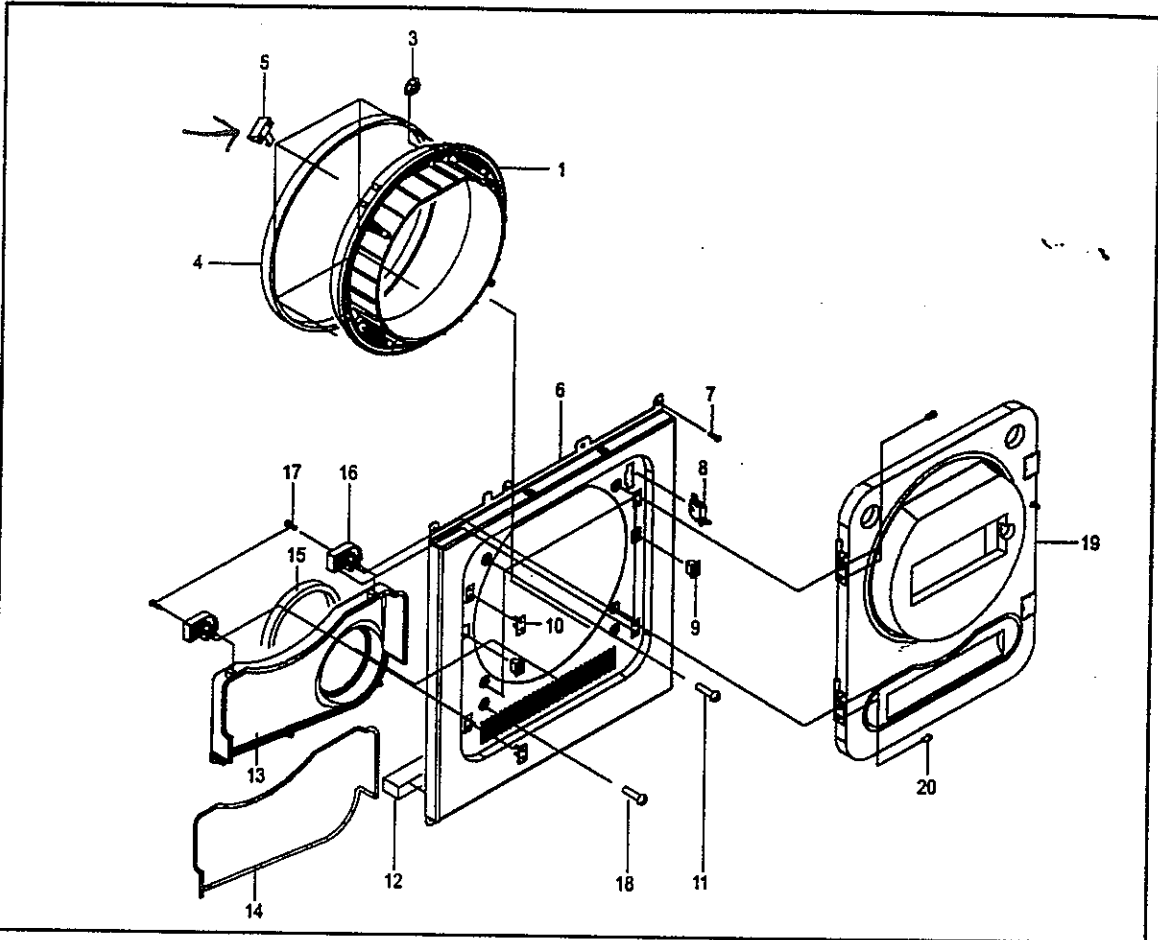
1-55



PARTS LIST

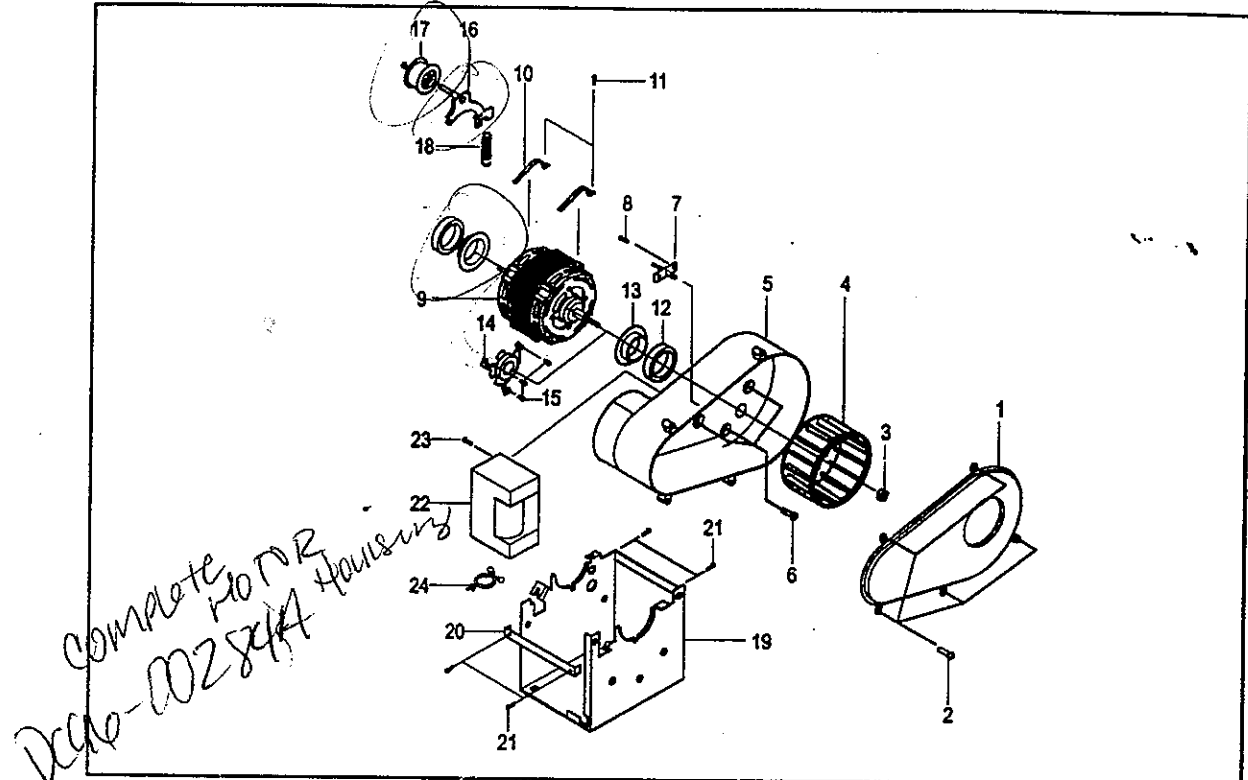
No.	Code No.	Description	Specification	Qty	Remarks
1	DC97-01091R	ASSY-PANEL CONTROL	D-24,AVANT/DRYEROEM	1	
2	DC64-00013Y	INLAY-PANEL	D-24,PC,-,L,GRY,-,AVANT/DRYER	1	PANEL
3	DC63-00055A	PANEL-DRAWER	D-24,ABS(HG-0760),PEARL_WHT(W9737),DRYER/AVAN	1	
4	DC64-00036F	INLAY-DETERGENT	D-24,PC,-,L,GRY,-,AVANT/DRYER/	1	PANEL-DRAWER
5	DC63-00118A	COVER-DRAWER	D-24/DRYER,EGI,T0.5,-,UL	1	PANEL-DRAWER
6	DC60-20030A	SCREW TAPPING	FH,-,1,D4,L12,NTR,-	1	PANEL+FRAME
7	DC60-20054C	SCREW TAPPING	TH,+1,D4,L12,FE FZY,-	1	PANEL+DRAWER
8	MF-D24JW-00	ASSY-PCB PARTS <1>	D-24	1	
9	DC60-20049A	SCREW TAPPING	SCM430,2,PH,+D4,L12,-,---	3	C-PANEL+PCB
10	DC61-30344A	FRAME-PLATE(U)	EGI,NTR,SWF-P12	1	
11	6009-001240	SCREW-SPECIAL	SM10C,-,TH,+M5,L12,ZPC(YEL),1	2	PLATE(U)
12	DC60-20060A	SCREW TAPPING	TH,+2,D4,L8,FE,FZY	4	FRAME-PLATE(U)
13	DC97-00851D	ASSY-COVER TOP	DV5008J/DRYER,WOOD/WHT(W9737)/TAPE	1	
14	DC60-30015B	SCREW-SPECIAL	FLANGE,PH,+D4,L12,ZnFe(YEL),-	2	COVER-TOP+FRAME
15	DC99-00095A	ASSY-PAINT FRAME	DV5008J,DRYER/WHT	1	
16	DC61-40081A	HOLDER-WIRE	NYLON66,-,DAWH-2NC,NTR(PI18.5)	16	FRAME
17	DC97-01428A	ASSY-GASKET PAD<2>	DV5008J,GASKET-FELT/REAR	1	
18		ASSY-MOTOR DUCT	D-24,240V/60Hz	1	
19	DC60-10019B	SCREW MACHINE	RH,+M5,L12,STS430,SEAL-LOCK	4	MOTOR+FRAME
20	DC63-00108A	SPONGE-PLATE	DV5008J,PU-FOAM,T13,W15,L44,GRY/DRYER/PLATE(1	PLATE-LOWER
21	DC61-10672A	COVER-FRONT(L)	SWF-P12,PP(BJ-730),-,WHT(W9737),-	1	
22	DC63-00136A	CAP-LOWER PLATE	DV5008J,EPDM,-,BLACK,DRYER/HARDNESS_60,-	1	LOWER-PLATE
23	DD60-20010D	SCREW TAPPING	TH,+2,D4,L12,ZPC2(NTR),-	3	DUCT-FRONT+FRAME
24	DC61-00214A	LEG	DV5008J,ABS(VE0856),SV,WHITE(W9737),-,DRYER	4	
25	DC66-00121A	BELT-TRANSMISSION	DV5008J,RUBBER,L1975,REINFORCED,DRYER(DAYCO)	1	
26	DC97-01424B	ASSY-DRUM <20>	DV5008J,DRYER/STS	1	
27	DC61-00215A	PLATE-SPRING <2>	SK5,T0.3,SDF-50V1,DRYER	1	
28	DC66-00062A	BUSH-SHAFT <2>	POM(TS-22),ID13.2,OD18.6,DRYER/WHT	1	
29	DC60-20054C	SCREW TAPPING	TH,+1,D4,L12,FE FZY,-	4	BUSH+FRAME
30	DC60-60003A	WASHER-PULSATOR <2>	-,ID13.2,OD24,T1.5,SBHG,STS304	1	F/SHAFT
31	6044-001042	RING-E <2>	ID10,OD20,T1,BLK,SK5	1	F-SHAFT
32	DC63-00045A	COVER-BUSHING <2>	DV5008J/DRYER,PP(TB54),-,WHT(W9711),-	1	
33	DC60-20054C	SCREW TAPPING	TH,+1,D4,L12,FE FZY,-	1	COVER-BUSH
34	DC63-00049A	COVER-POWER CORD	DV5008J,SECCP,T0.6,-,DRYER,-	1	
35	DC60-20060A	SCREW TAPPING	TH,+2,D4,L8,FE,FZY	1	C/POWER+FRAME
36	3716-001155	TERMINAL-BLOCK <2>	NON SOLDER,6P,-,600V,30A	1	
37	DC61-00222A	BRACKET-TERMINAL BLOCK	EGI,T0.5,SDF-50V1,-,DRYER,-,---	1	
38	DD60-20010D	SCREW TAPPING	TH,+2,D4,L12,ZPC2(NTR),-	2	TERMINAL-BLOCK
39	DC60-20060A	SCREW TAPPING	TH,+2,D4,L8,FE,FZY	1	BK-THER+FRAME
40	DC60-10023A	SCREW MACHINE	TH,+D4,L10,ZPC2,TAP-TITE	1	EARTH-WIRE
41	DC47-00005D	HEATER <5>	IRCA,DV5008J,MCA,2000W,8A,230V,-,L170,W80,-,FOR	1	
42	6031-001258	WASHER-PLAIN <2>	STS304,-,ID6.5,OD17.8,T2.0,PASS	2	HEATER
43	DC63-00059A	COVER-HEATER <2>	DV5008J,SECCP,T0.6,-,DRYER,-	1	
44	DC60-50019A	NUT-FLANGE	-,M4,-,MSWR10,-	2	HEATER+COVER-HEATER
45	DC60-20060A	SCREW TAPPING	TH,+2,D4,L8,FE,FZY	4	C/HEATER+FRAME
46	DC61-00300A	BRACKET-HEATER	DV5008J,EGI,-,T0.6,-,DRYER	1	
47	DC60-20060A	SCREW TAPPING	TH,+2,D4,L8,FE,FZY	1	BK-HEATER
48	DC47-00002C	THERMOSTAT <5>	SDF-V501,-,250V,16A,145,-,---,ZENTAN	1	DUCT-INLET
50	6002-000588	SCREW-TAPPING	TH,+2,M4,L6,ZPC(YEL),MSWR10	2	THERMOSTAT-
51	DC62-00060A	DUCT-OUTLET	DV5008J,GI,T0.5,OD100,L350,ID97,DRYER	1	
52	DC63-00050A	COVER-BACK	DV5008J,SECCP,T0.5,-,DRYER,-	1	
53	DC60-20060A	SCREW TAPPING <1>	TH,+2,D4,L8,FE,FZY	3	C/BACK+FRAME
54	DC96-00224A	ASSY-WIRE HARNESS	SDF-50V1,MJU	1	

PARTS BREAKDOWN



No.	Code No.	Description	Specification	Q'ty	Remarks
1	DC61-00210A	SUPPORT-DRUM	DV5008J,PP(TH54M),WHT(W9711),,,-,DRYER	1	
3	DC63-00138A	CAP-LAMP	D-24,SILICON,-,NTR,DRYER/HARDNESS_65,-	1	
4	DC68-00154A	PAD-GASKET	PE-FELT,-,SDF-50V1,DRYER(FRONT)	1	
5	DC66-00070A	BUSH-SUPPORT DRUM	POM(FL20-03)+TEFRON,-,DV5008J/WHT	4	
6	DC99-00086A	ASSY-PAINT FRONT	DV5008J/DRYER,FRAME-FRONT/WHT	1	
7	DC60-20060A	SCREW TAPPING	TH,+2,D4,L8,FE,FZY	8	FRAME-FRONT
8	DC64-00129A	DOOR-SW	-,-,-,-,SDF-50V1,-,WHT,DC24V(PUSH-SW)	1	
9	DC97-01429A	ASSY-GUIDE LEVER	DV5008J,DRYER/PP+SK5	4	
10	DC63-00097A	CAP-FRONT FRAME	DV5008J,PP(TB54),,-,WHT(W9711),DRYER,-	2	
11	6002-000445	SCREW-TAPPING	TH,+2S,M4,L18,NTR,STS304	4	SUPPORT-D+FRAME-F
12	DC63-00108B	SPONGE-PLATE	DV5008J,PU-FOAM,T13,W35,L440,GRY,DRYER/FRONT	1	FRAME-FRONT
13	DC62-00069A	DUCT-FRONT	DV5008J,PP(TH54M),,-,-,WHT/DRYER	1	
14	DC63-00062A	SPONGE-DUCT	DC5008J,PE-FOAM,T6,W6,L660,GRY,DRYER/FRONT	2	DUCT-FRONT
15	DC63-00063A	SPONGE-DUCT	DV5008J/DRYER,PU-FOAM,T13,W10,L435,BLACK,REAR	1	DUCT-FRONT
16	DC61-00305A	FIXER-HINGE	-,DV5008J,PP(TB54)WHT(W9711),,-,DRYER	2	DUCT-FRONT
17	DD60-20010D	SCREW TAPPING	TH,+2,D4,L12,ZPC2(NTR),-	2	DUCT-F+FIXER-HINGE
18	6002-000445	SCREW-TAPPING	TH,+2S,M4,L18,NTR,STS304	2	DUCT-F+FRAME-F
18	-	ASSY-DOOR	DV5008J,DRYER/WHT	1	
20	DC60-20140B	SCREW TAPPING	FH,+1,D4,L20,STS304,-,-	4	HINGE+FRONT-FRAME

PARTS BREAKDOWN



No.	Code No.	Description	Specification	Q'ty	Remarks
1	DC63-00056A	COVER-DUCT FAN	SDF-50V1,PP(TH54M),-,WHT,DRYER,-	1	-
2	DD60-20010D	SCREW TAPPING	TH,+,2,D4,L12,ZPC2(NTR),-	5	COVER-DUCT+DUCT
3	DC60-50148A	NUT-HEX	SM20C(NYLON),M8,-,ZPC3(YEL),-,HEX,SQ-PROJECT	1	FAN
4	DC66-00063A	FAN	PP(A353),DRYER,NTR	1	-
5	DC62-00056A	DUCT-FAN	DV5008J,PP(TH54M)WHT,-,DRYER	1	-
6	DC60-20060A	SCREW TAPPING	TH,+,2,D4,L8,FE,FZY	3	DUCT+MOTOR
7	DC60-10128H	ASSY-THERMISTOR	KS-PJT,RUBBER ADD	1	DUCT-FAN
8	DD60-20010D	SCREW TAPPING	TH,+,2,D4,L12,ZPC2(NTR),-	1	THERMIS+DUCT
9	DC31-00024A	MOTOR-DRYER (i)	IC-14240SSWA,DRYER,-,60Hz,-,3000,-,240V,B,-,2POLE	1	-
10	DC61-00218A	FIXER-MOTOR	EGI, T1,SDF-50V1,DRYER,-,	2	-
11	DC60-20060A	SCREW TAPPING	TH,+,2,D4,L8,FE,FZY	2	FIXER+BUSH-MOTOR
12	DC61-00304A	CUSHION-MOTOR	-,DV5008J,CR,-,DRYER	2	-
13	DC66-00111A	BUSH-MOTOR	POM(FL20-03),ID40,OD62,DV5008J(DRYER)	2	-
14	DC61-00244A	SUPPORT-MOTOR	EGI,T1.0,SDF-50V1,-,DRYER,-,,-	2	-
15	DC60-10003A	SCREW MACHINE	-,M4,L6,FZY,-	6	SUPPORT-MOTOR
16	DC61-00302A	BRACKET-IDLER -	DV5008J,GI(HOT GI),-,T2.0,-,DRYER	1	-
17	DC66-00077A	ROLLER-BELT	DV5008J,POM(FL20-03),-,WHT,-,DRYER	1	-
18	DC61-00306A	SPRING-TENSIONER	DV5008J,HDSW-C,*2.0,-,L68,18,OD16.7,-,NTR,-,	1	-
19	DC61-00217A	BRACKET-MOTOR	EGI,T1.6,SDF-50V1,-,DRYER,-,,-	1	-
20	DC61-00301A	SUPPORT-BRACKET MOTOR	DV5008J,EGI,-,T0.6,L112,W10,DRYER	2	-
21	DC60-20060A	SCREW TAPPING	TH,+,2,D4,L8,FE,FZY	4	B/K-SUPPORT-MOTOR
22	DC62-00070D	CONDENSER-M.F	ABS,L74,W35,-,DRYER(450VAC/6MFD)	1	-
23	DD60-20010D	SCREW TAPPING	TH,+,2,D4,L12,ZPC2(NTR),-	1	CONDENSOR
24	DC61-40081A	HOLDER-WIRE	NYLON66,-,DAWH-2NC,NTR(P118.5)	1	B/K-MOTOR