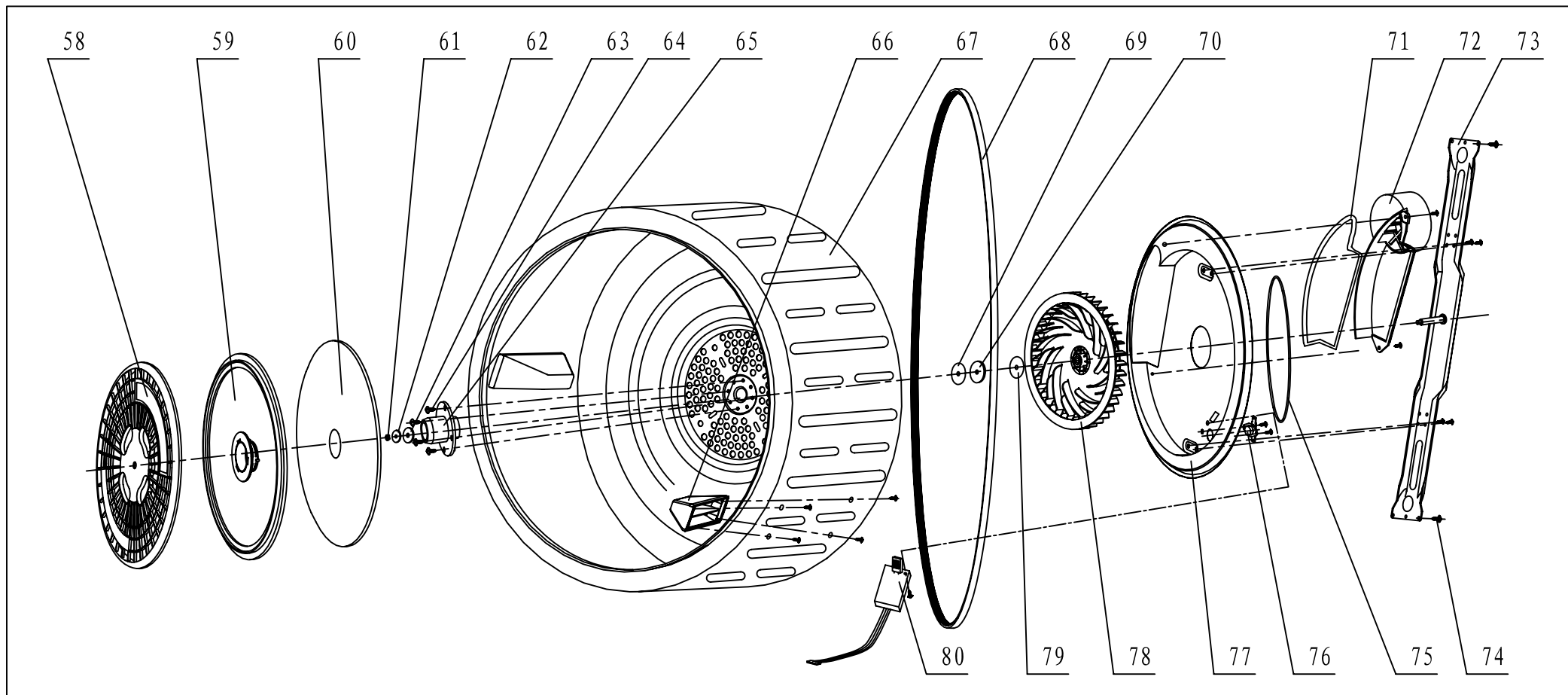


Model:D110-1 (PAGE1)



Model: D110-1

Parts List - D110-1

NO.	Code	Name
1	GYJ42.1 -3	transparent cover
2		screw ST4 X 13
5	GYJ42-6	big seal
4		screw ST4X 13
5	GYJ42.1 4	door pin
6		screw ST4 X 13
7	GYJ42.2	cabinet
8		screw ST4 X 13
9	GYJ42.2 2	door hook base
10	6YJ42 5	notice label
11		PTC heating element
12	GYJ4-2,5-1	PTC installation rack
13	GYJ42.5 2	PTC installation box
14	GYJ4-2 1	label
15	GYJ42.3-3	PTC thermal breaker
16	GYJ4-2.5-4	PTC separating net
17	GYJ42.2-3	connecting pole
18	GYJ4-2.4-- 2	rubber pad
19	GYJ42.4 1	front seal disc
20	0YJ42.4-5	rear seal disc
21	GYJ4-2 7	back cover
22		screw ST4x8
25		axis check ring
24	GYJ42.5-4	copper D 3.2 X D 8
25	GYJ4-2. 5 3	belt tension wheel
26	GYJ42.5 4	motor pulley for fan
27	GYJ42.5 5	belt tenison wheel spring
28	GYJ42.5 2	motor pulley
29	GYJ42.5-6	motor connecting line
30	GYJ42.5 7	motor fixing board
31		M5X 10 screw
32	YXB 65	dryer motor
33	GYJ42.5 1	motor vibration proof pad
34	GYJ42.5 8	motor supporting board
35		screw M4 X 12
36		nut M4
37		capacitor
38		power cord
39	GYJ4-2 2	waming label
40	GYJ42.2 5	supporting foot
41		safety switch
42		fuse tube
43	GYJ42-3	door hinge
44		timer
45		screw ST4 X 8
46		screw ST3 X 8
47	GYJ42.6 1	control panel
48	GYJ42.6-2	Knob
49		Knob switch
50	GYJ42.2-4	air inlet filter
51	GYJ42.2-5	air inlet cover
52	GYJ42.1	handle pin
53	GYJ42.1- 2	handle
54	CYJ42.1- 6	door hook
55	GYJ42.1- 7	decorative frame
56	GY J42.1 -1	door
57	GYJ42.1- 8	door spring
58	GYJ42.5-4	filter case
59	GYJ42.5-5	filter
60	GYJ42.5-6	filter of inner tub
61		nut M6
62		φ6 flat pad
65		φ 8 x 16 flat pad
64		screw ST4X 13
65	GYJ42.5-2	inner tub bearings
66	GYJ42.5-7	rotating check block
67	GYJ42.5.1-1	inner tub assembly
68		poli-v belt
69	GYJ42.5-8	φ 8 X 22 copper fiat pad
70		φ 8 X 22 flat pad
71	GYJ42.6-3	air exhaust sealing sponge
72	GYJ42.6-2	air exhaust
73	GYJ42.8	supporting beam assembly
74		screw ST4X 13
75		fan belt
76	GYJ42.6-4	air exhaust thermal breaker
77	GYJ42.6 1	wind case
78	GYJ42.7	fan assembly
79	GYJ42.5 8	φ 8 X 22 copper pad
80	GYJ468G-20	humidity sensor
81	GYJ468G-18	wire harness
82	GYJ468G-19	electronic control board