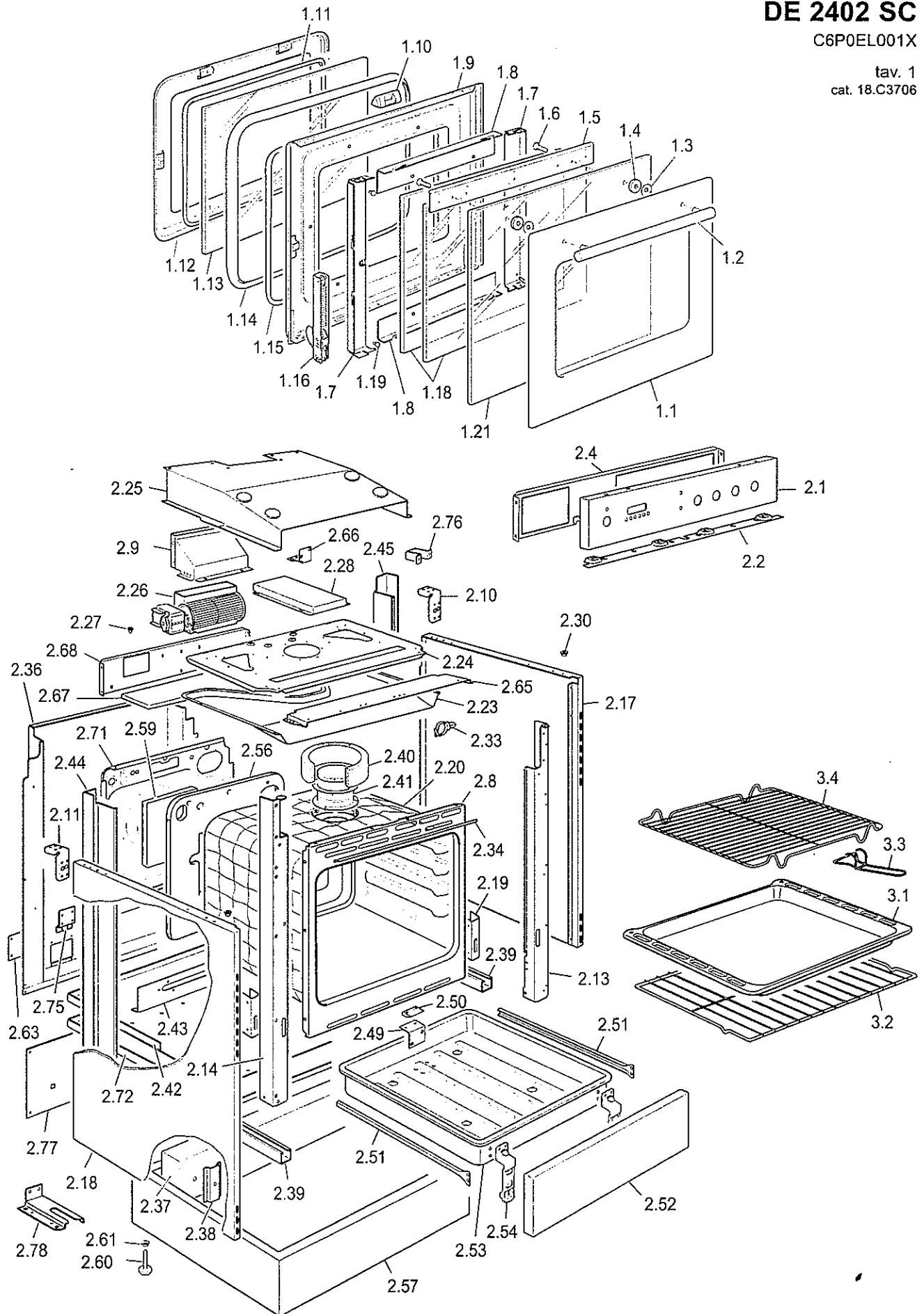


DE 2402 SC

C6P0EL001X

tav. 1
cat. 18.C3706

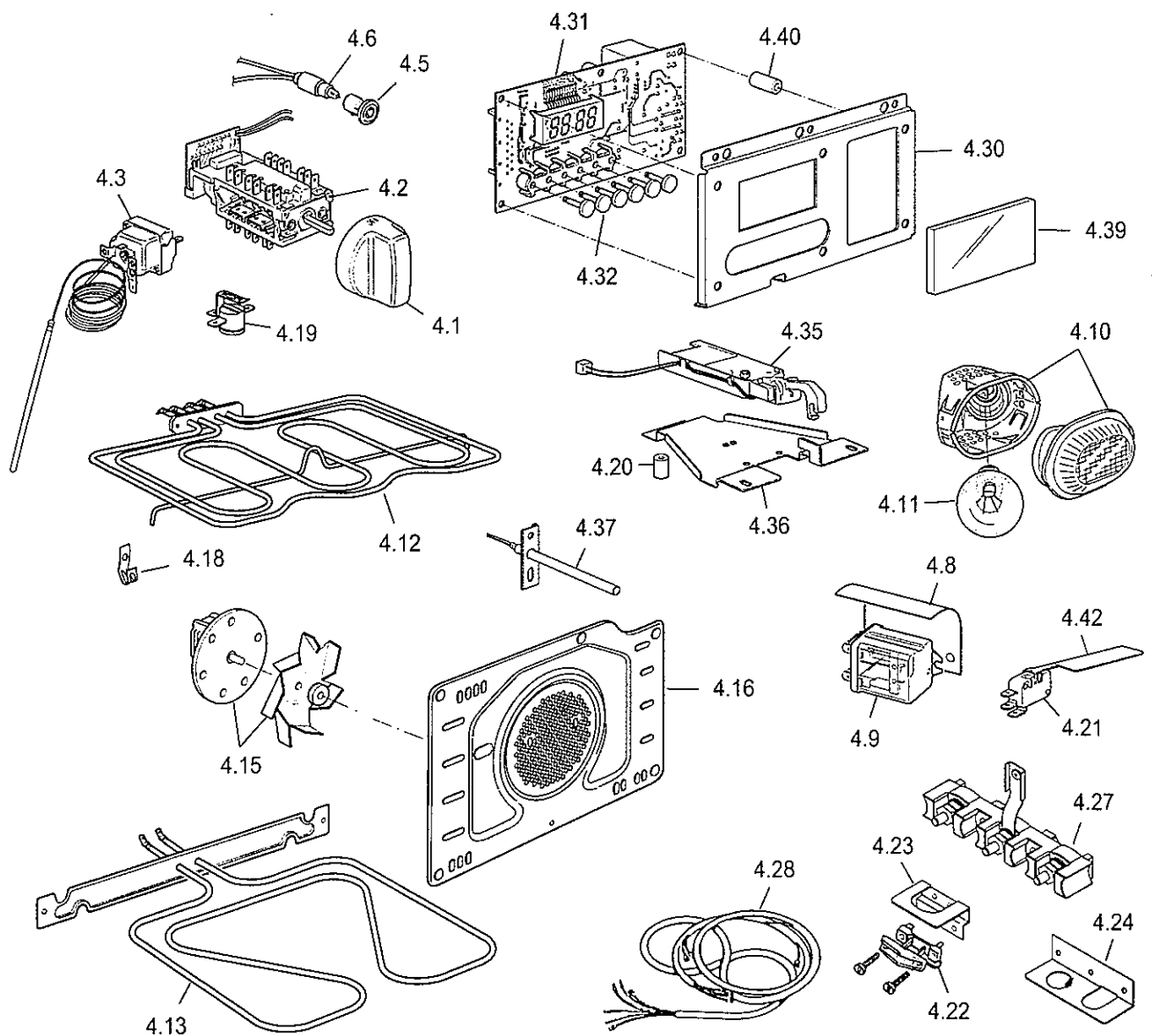
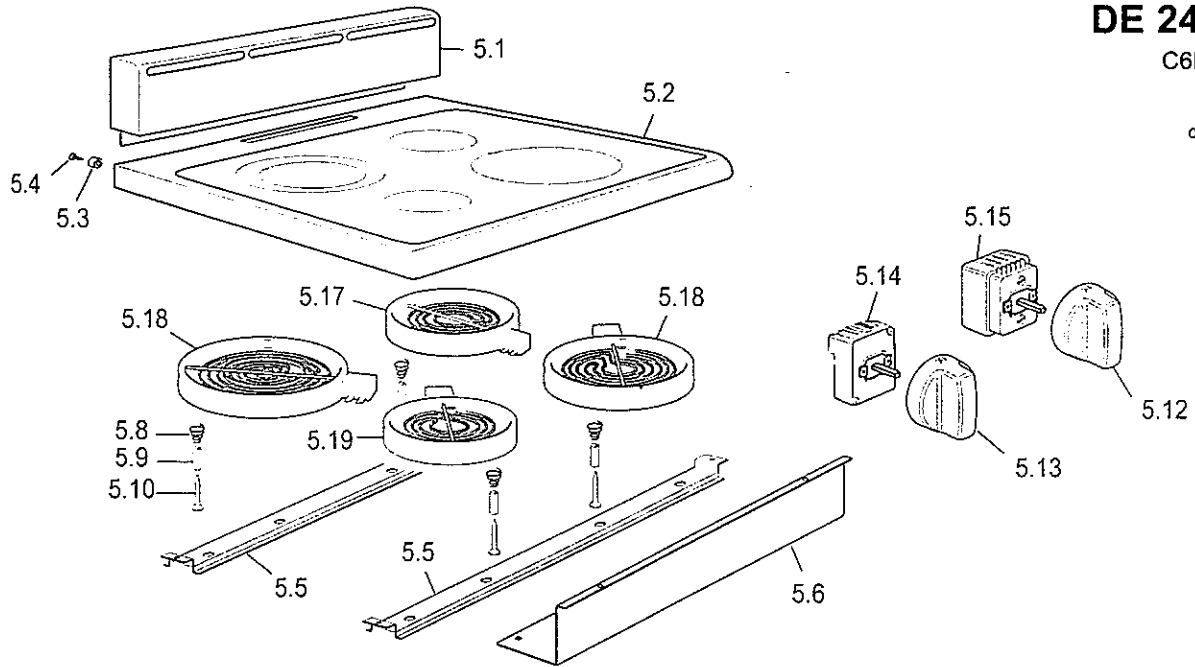


REF.	CODE	DESCRIPTION	REF.	CODE	DESCRIPTION
1.1	0326P2241A	Door glass	2.51	094075	Drawer rail
1.2	037231062A	Door handle	2.52	39E6605YS	Drawer front panel
1.3	003033	Washer	2.53	39K9101Y	Drawer
1.4	085091	Spacer	2.54	094371	Drawer fixing bracket
1.5	51BF604	Handle bar	2.56	030137	Rear insulation
1.6	001032	Door handle screw	2.57	68066002H	Plinth
1.7	51BF610	Glass side support	2.59	030138	Rear central insulation
1.8	51BF611	Support	2.60	103854	Shim
1.9	372FF602P	Door panel frame	2.61	214056	Shim nut
1.10	103620	Door lock block	2.63	51B6612	Terminal block access plate
1.11	053090	Inner glass gasket	2.65	4216607Z	Controls protection
1.12	372FF603P	Door panel frame	2.66	094490	Microswitch support
1.13	0312116	Middle inner glass	2.67	4216608Z	Cooling fan sheet support
1.14	053089	Door panel gasket	2.68	51B6610Z	Cooling fan bar support
1.15	053099	Seal	2.71	421F603Z	Oven rear panel
1.16	063113	Hinge (male)	2.72	4216605Z	Bottom panel
1.18	0312117	Inner glass	2.75	094515	Transformer bracket
1.19	040056	Rubber	2.76	094486	Manifold extension support
1.21	0312374	Inner glass	2.77	4216604Z	Bottom rear panel
			2.78	094495	Shim bracket
2.1	35C6607SNT	Control panel	3.1	48BF601P	Grill-pan tray
2.2	51B7601S	Deflector	3.2	217603	Oven shelf
2.4	4116603	Control panel support	3.3	037144	Grill-pan grid handle
2.8	450FP1EM32	Oven cube	3.4	217546	Grill-pan grid
2.9	46A6601Z	Funnel			
2.10	094506DX	Rear right coupler			
2.11	094506SX	Rear left coupler			
2.13	51B6607H	Right front trim			
2.14	51B6608H	Left front trim			
2.17	36C66D2S	Side panel right			
2.18	36C66S2S	Side panel left			
2.19	063113	Door hinge female			
2.20	030123	Oven insulation			
2.23	411F607	Lower air conveyor			
2.24	421F606Z	Air conveyor support			
2.25	4216606Z	Air conveyor			
2.26	079036	Tangential fan			
2.27	040056	Rubber			
2.28	094489	Fumes catalyst conveyor			
2.30	085060	Sleeve			
2.33	103672	Cable support			
2.34	053074	Upper seal			
2.36	4116602Z	Rear panel			
2.37	103326	Balance weight			
2.38	213016	Balance weight bracket			
2.39	51B6601	Lateral crosspiece support			
2.40	030132	Fumes catalyst insulation			
2.41	103723	Fumes catalyst			
2.42	4216602Z	Bottom panel			
2.43	51BF603	Bottom element support			
2.44	51B6609SX	Left rear trim			
2.45	51B6609DX	Right rear trim			
2.49	094512	Drawer stopper bracket			
2.50	081073	Drawer stopper			

DE 2402 SC

C6P0EL001X

tav. 2
cat. 18.C3706



REF.	CODE	DESCRIPTION
4.1	2183A17374	Control knob
4.2	050061	Switch
4.3	066151	Thermostat
4.5	07306202	Control lamp cover (Red)
4.6	073069	Control lamp L 1150
=	073070	Control lamp L 600
=	073071	Control lamp L 750
=	073067	Control lamp L 230
4.8	039058	Insulation
4.9	103855	Relay
4.10	072013	Lamp holder
4.11	073013006	Lamp
4.12	062111001	Top + grill element - 240 V
4.13	062112001	Bottom element - 240 V
4.15	079035	Fan motor - 240 V
4.16	47AF601P	Fan diffuser
4.18	213031	Clip
4.19	066068	Cut-off thermostat 130°
4.20	085090	Spacer
4.21	077079	Air flow microswitch
4.22	052008	Wire fastener
4.23	094510	Wire fastener bracket
4.24	094493	Conduit bracket
4.27	051064	Terminal block
4.28	1131509	Wiring (hob)
=	1131510	Wiring
4.30	094441	Programmer electronic card support
4.31	074072	Programmer electronic card
4.32	103271009	Button
4.35	103853	Door lock
4.36	094398	Door lock support
4.37	107054	Probe
4.39	0312254	Glass programmer
4.40	071060	Programmer electronic card peg
4.42	094491	Microswitch blade
5.1	103839061	Rear trim
5.2	355VC6S01	Glass with frame
5.3	040031002	Plug
5.4	001130	Screw
5.5	51B6S01	Hotplates support
5.6	094507	Hotplates protection
5.8	035075	Spring
5.9	085043	Spacer
5.10	001111	Screw
5.12	2183A67374	Energy regulator 2C knob
5.13	2183A37374	Energy regulator 1C knob
5.14	050064240	Energy regulator
5.15	050065240	Energy regulator 2C
5.17	04779240	Two circuits hotplate - Ø 210 - 2100W
5.18	04777240	1 circuit hotplate - Ø 145 - 1200W
5.19	04778240	1 circuit hotplate - Ø 180 - 1700W
-	1102477	Users operating instruction
-	1102501	Installation instruction