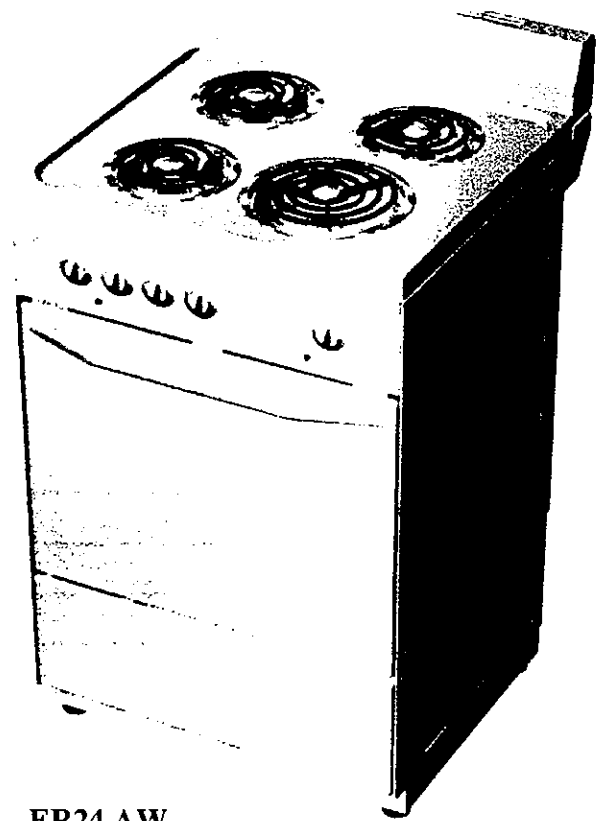
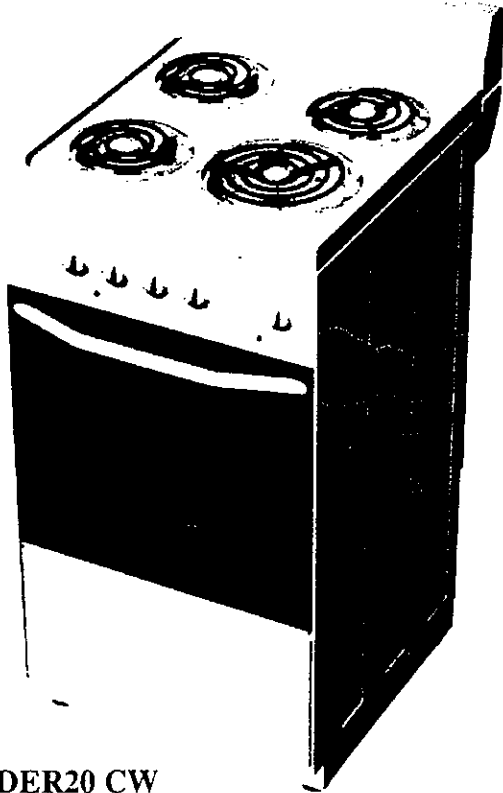


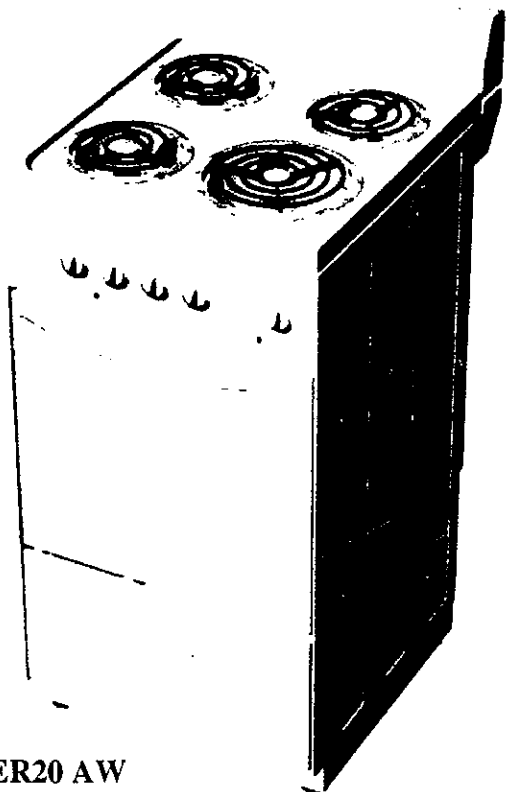
DER24 CW



ER24 AW

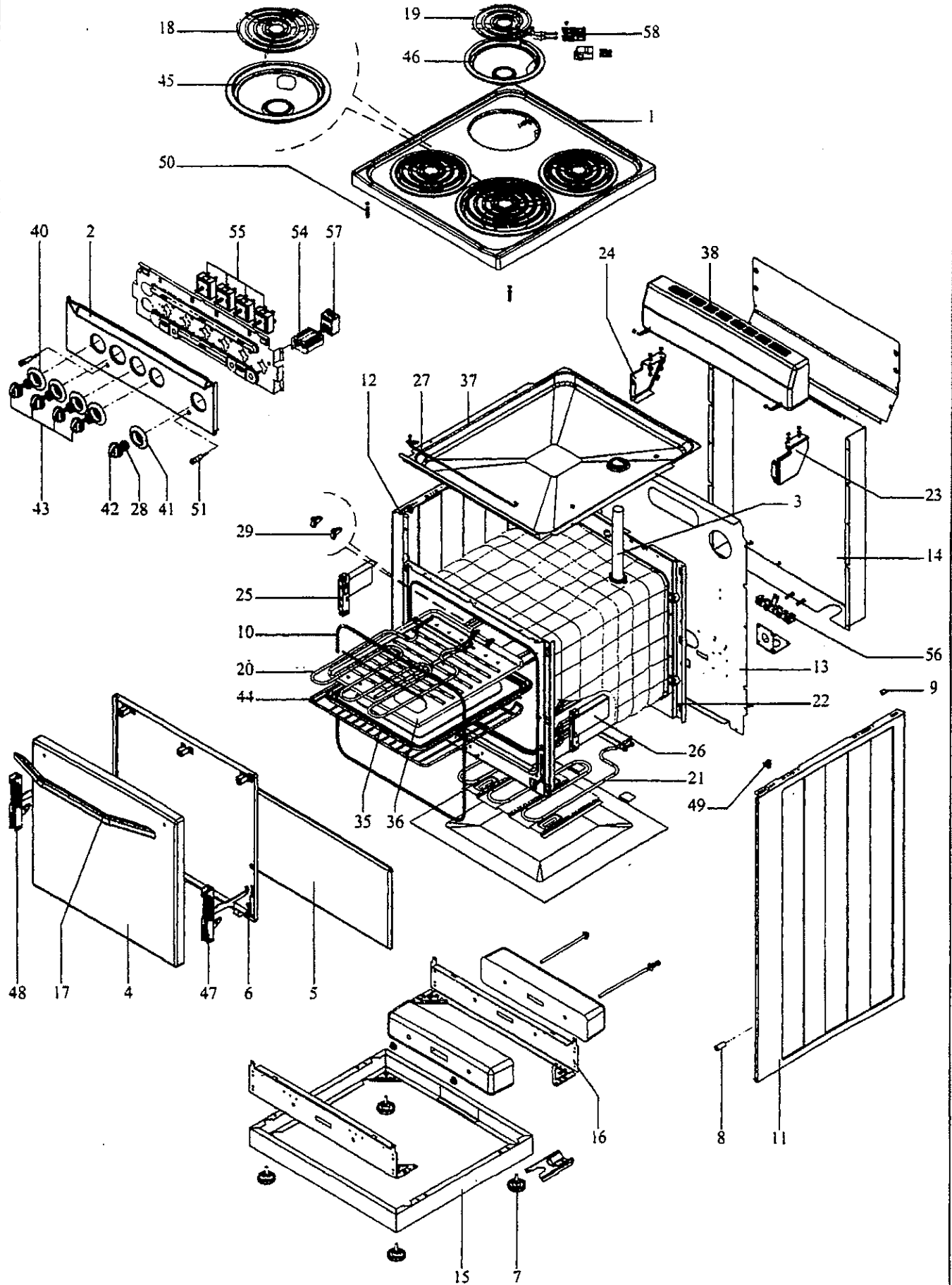


DER20 CW



ER20 AW

3.2. ER20 AW

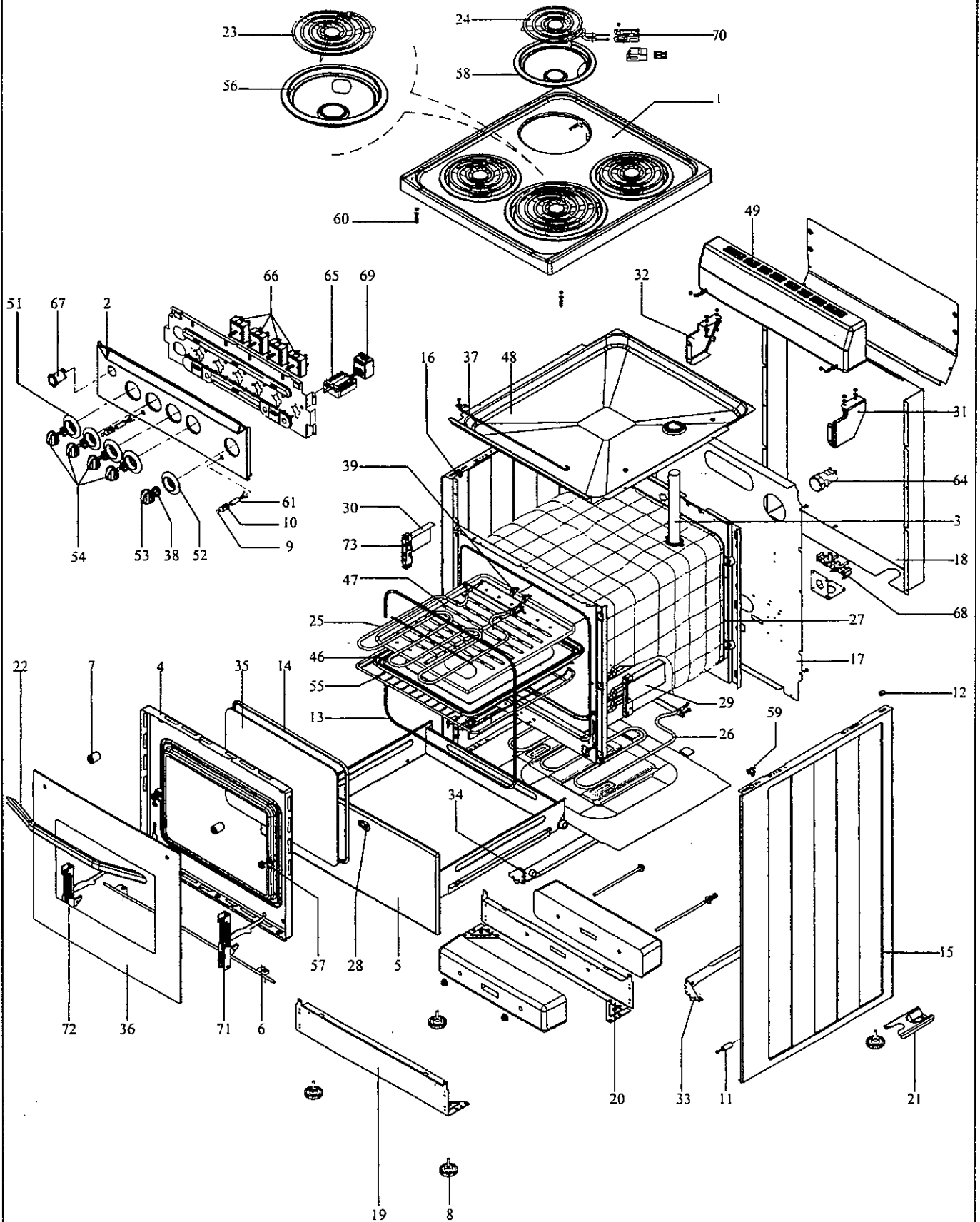


Spare Part List

Customer : AVANTI
 Customer Product Code : ER20 AW
 Product Code : TFG18USA01
 Description
 Exploded Drawing No : TFG18USA01
 Revision

No	Code	Description	Unit	Quantity
1	01544E01	TFG PLATE WITH 4 BURNERS	PCS	1
2	02561S01	TFG18USA01 AVANTI CONTROL PANEL WITH LOWER PART	PCS	1
3	03021105	TFG18 EXHAUST	PCS	1
4	03089T01	TFG/U OVEN DOOR	PCS	1
5	03093T01	TFG WIDE TYPE DRAWER COVER	PCS	1
6	03793E11	TFG/U OVEN DOOR	PCS	1
7	05040102	TFG\TFB\TFT LEVELING FOOT (BLACK)	PCS	4
8	05072507	BUMPER FOR DRAWER (BLACK)	PCS	4
9	05072521	TFG/B18 BUMPER FOR PLATE	PCS	2
10	05096115	TFG OVEN DOOR SEAL	PCS	1
11	07048T01	TFU CABINET RIGHT SIDE PANEL WITHOUT COOKTOP COVER	PCS	1
12	07049T01	TFU CABINET LEFT SIDE PANEL WITHOUT COOKTOP COVER	PCS	1
13	08119P	TFG18 INNER BACK COVER	PCS	1
14	08120P	TFG18 OUTER CABINET BACK COVER	PCS	1
15	09766T01	TFG SUPPLEMENT BOTTOM BASE	PCS	1
16	09804T01	TFG/R BASEMENT REAR ELEMENT, T	PCS	2
17	10025T01	TFG/R ALUMINUM HANDLE	PCS	1
18	10110530	DIA.180 BURNER 208/240V, 1580/2100W	PCS	1
19	10110531	DIA.145 BURNER 208/240V, 940/1250W	PCS	3
20	10110532	USA TYPE GRILLE TUBE HEATER, 240V 2300W	PCS	1
21	10110533	USA TYPE LOWER TUBE HEATER, 240V 2000W	PCS	1
22	11549E11	TFG18 INNER OVEN	PCS	1
23	12350T01	TFG/B18 RIGHT CONSOLE	PCS	1
24	12351T01	TFG/B18 LEFT CONSOLE	PCS	1
25	12750H01	TFU HINGE BUSHING-PROTECTION COMPONENT, LEFT	PCS	1
26	12750H02	TFU HINGE BUSHING-PROTECTION COMPONENT, RIGHT	PCS	1
27	14030202	TFG/B18 PLATE SUPPORTING BAR	PCS	1
28	14520105	TFG/B/A KNOB SPRING	PCS	5
29	14560103	THERMOSTAT CLIP	PCS	2
30	15050350	TFB/B G SPLASH PANEL FRONT STYROFOAM	PCS	1
31	15050354	TFB/B G LEFT FRONT STYROFOAM	PCS	1
32	15050359	TFG PLATE STYROFOAM	PCS	1
33	15050368	TFB/TFG18 RIGHT BACK STYROFOAM	PCS	1
34	15050369	TFB/TFG18 LEFT BACK STYROFOAM	PCS	1
35	15051E11	TFG/B OUTER TRAY	PCS	1
36	15062E11	TFG/B/A INNER TRAY	PCS	1
37	15092E11	TFG18 SPLASH TRAY	PCS	1
38	15760S01	TFG18 AVANTI SPLASH PANEL	PCS	1
39	16011125	TFG18 AVANTI INSTRUCTION MANUAL	PCS	1
40	16041S75	TFG/B LOWER PART OF BURNER KNOB, WHITE	PCS	4
41	16041S76	TFB/B G LOWER PART OF FUNCTION KNOB	PCS	1
42	16099H21	TFB/B/G OVEN SWITCH KNOB WITH SEGMENT (PROFILE Z TYPE, WHITE)	PCS	1
43	16099H22	TFB/B/G BURNER/TIMER SWITCH KNOB WITH SEGMENT	PCS	4
44	17010142	TFG INNER GRID	PCS	1
45	18009P	8" REFLECTOR BOWL	PCS	1
46	18010P	6" REFLECTOR BOWL	PCS	3
47	18020106	TFG/R/U OVEN DOOR HINGE, RIGHT	PCS	1
48	18020206	TFG/R/U OVEN DOOR HINGE, LEFT	PCS	1
49	18020211	TFG/B18 PLATE HINGE	PCS	2
50	18020212	TFG/B18 PLATE LOCK PIN	PCS	1
51	20042H	T-120 SIGNAL LAMP	PCS	2
52	23389S01	TFG18DEN01 AVANTI BOX	PCS	1
53	27002H50	TFG18 USA CABLE GROUP	PCS	1
54	60060332	OVEN SWITCH 250V T150	PCS	1
55	60064414	SWITCH 240V\13A\	PCS	4
56	60093605	USA TYPE TERMINAL BOX	PCS	1
57	60120913	THERMOSTAT	PCS	1
58	60140407	USA TYPE BURNER CONNECTOR CLIPS	PCS	4

3.3. DER24 CW



Spare Part List

Customer : AVANTI
 Customer Product Code : DER24 CW
 Product Code : TFB18USA02
 Description
 Exploded Drawing No : TFB18USA02

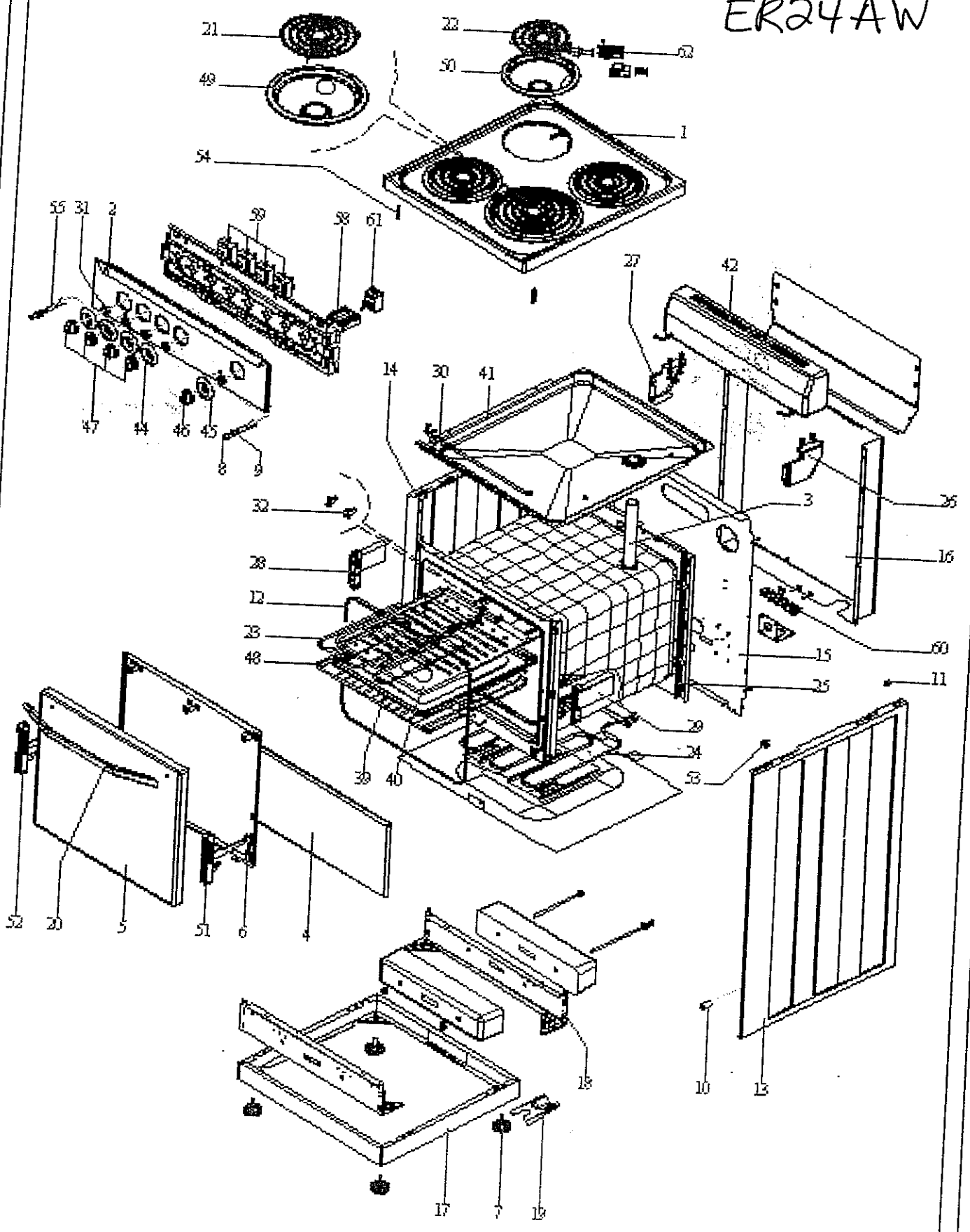
No	Code	Description	Unit	Quantity
1	01540E01	TFB18 PLATE	PCS	1
2	02564S01	TFB18USA02 AVANTI CONTROL PANEL	PCS	1
3	03021107	TFB18 FUNNEL	PCS	1
4	03100E11	TFB OVEN DOOR	PCS	1
5	03786H31	TFB WIDE TYPE DRAWER,WHITE	PCS	1
6	04024T01	TFB/TFA LOWER STRIP FOR GLASS	PCS	1
7	05010104	TFG/TFB/TFA BUMPER FOR HANDLE	PCS	2
8	05040102	TFG\TFB\TFT LEVELING FOOT (BLACK)	PCS	4
9	05053002	TFG/B/R/A SIGNAL LAMP CONTACT	PCS	2
10	05053003	SIGNAL LAMP CONTACT	PCS	2
11	05072507	BUMPER FOR DRAWER (BLACK)	PCS	2
12	05072521	TFG/B18 BUMPER FOR PLATE	PCS	2
13	05096108	TFB OVEN DOOR SEALING	PCS	1
14	05096118	INNER GLASS SEAL	PCS	1
15	07048T01	TFU CABINET RIGHT SIDE PANEL W.O.COOKTOP COV.	PCS	1
16	07049T01	TFU CABINET LEFT SIDE PANEL W.O. COOKTOP COV.	PCS	1
17	08122P	TFB18 BACK INNER COVER	PCS	1
18	08123P	TFB18 OUTER CABINET BACK COVER	PCS	1
19	09767T01	TFB SUPPLEMENT BOTTOM BASE	PCS	1
20	09821T01	TFB BASEMENT FRONT/ REAR ELEMENT	PCS	2
21	10016H01	ANTI TIP BRACKET	PCS	1
22	10026T01	TFA/B ALUMINUM HANDLE	PCS	1
23	10110530	DIA.180 BURNER 208/240V, 1580/2100W	PCS	1
24	10110531	DIA.145 BURNER 208/240V, 940/1250W	PCS	3
25	10110532	USA TYPE GRILLE TUBE HEATER,240V 2300W	PCS	1
26	10110533	USA TYPE LOWER TUBE HEATER,240V 2000W	PCS	1
27	11536E11	TFB18 INNER OVEN	PCS	1
28	12070C	TFA-TFB INNER GLASS ASSEMBLY ELEMENT	PCS	2
29	12278P	TFA/B/G/U HINGE SUPPORT ELEMENT,RIGHT	PCS	1
30	12279P	TFA/B/G/U HINGE SUPPORT ELEMENT,LEFT	PCS	1
31	12350T01	TFG/B18 RIGHT CONSOLE	PCS	1
32	12351T01	TFG/B18 LEFT CONSOLE	PCS	1
33	12756H07	TFB DRAWER GUIDE WITH CONSOLE,RIGHT	PCS	1
34	12756H08	TFB DRAWER GUIDE WITH CONSOLE,LEFT	PCS	1
35	13010251	TFB/G/A INNER GLASS LOW-E	PCS	1
36	13010835	TFB INOX GLASS	PCS	1
37	14030202	TFG/B18 PLATE SUPPORTING BAR	PCS	1
38	14520105	TFG/B/A KNOB SPRING	PCS	5
39	14560103	THERMOSTAT CLIP	PCS	2
40	15050283	TFB BOTTOM STYROFOAM	PCS	1
41	15050350	TFB/G SPLASH PANEL FRONT STYROFOAM	PCS	1
42	15050354	TFB/G LEFT FRONT STYROFOAM	PCS	1
43	15050360	TFB PLATE STYRFOR	PCS	1
44	15050368	TFB/TFG18 RIGHT BACK STYROFOAM	PCS	1
45	15050369	TFB/TFG18 LEFT BACK STYROFOAM	PCS	1
46	15051E11	TFG/B OUTER TRAY	PCS	1
47	15062E11	TFG/B/A INNER TRAY	PCS	1
48	15093E11	TFB18 SPLASH TRAY	PCS	1
49	15761S01	TFB18 AVANTI SPLASH PANEL	PCS	1
50	16011126	TFB18 AVANTI INSTRUCTION MANUAL	PCS	1
51	16041S75	TFG/B LOWER PART OF BURNER KNOB,WHITE	PCS	4
52	16041S76	TFB/G LOWER PART OF FUNCTION KNOB	PCS	1
53	16099H21	TFA/B/G OVEN SWITCH KNOB WITH SEGMENT (PROFILE Z TYPE,WHITE)	PCS	1
54	16099H22	TFA/B/G BUNER/TIMER SWITCH KNOB WITH SEGMENT	PCS	4
55	17010147	TFB INNER GRID	PCS	1
56	18009P	8" REFLECTOR BOWL	PCS	1
57	18010101	TFB-TFG WIRE RACK SYSTEM FIXING NUT	PCS	2
58	18010P	6" REFLECTOR BOWL	PCS	3
59	18020211	TFG/B18 PLATE HINGE	PCS	2
60	18020212	TFG/B18 PLATE LOCK PIN	PCS	2
61	20001H	SIGNAL LAMP WIRING	PCS	2
62	23392S02	TFB18USA02 AVANTI BOX	PCS	1
63	27002H34	TFB18 USA CABLE GROUP	PCS	1
64	60050601	OVEN LAMP	PCS	1

Spare Part List

Customer : AVANTI
Customer Product Code : DER24 CW
Product Code : TFB18USA02
Description
Exploded Drawing No : TFB18USA02

No	Code	Description	Unit	Quantity
65	60060332	OVEN SWITCH 250V T150	PCS	1
66	60064414	SWITCH 240V\13A\	PCS	4
67	60071401	TFG21 INNER ILLUMINATION BUTTON, PUSH ON-PUSH OFF	PCS	1
68	60093605	USA TYPE TERMINAL BOX	PCS	1
69	60120913	THERMOSTAT	PCS	1
70	60140407	USA TYPE BURNER CONNECTOR CLIPS	PCS	4
71	68020107	RIGHT HINGE	PCS	1
72	68020200	LEFT HINGE	PCS	1
73	68020300	HINGE BUSHING	PCS	2

ER24AW



Spare Part List

Customer : AVANTI
 Customer Product Code : ER24 AW
 Product Code : TFB18USA01
 Description
 Exploded Drawing No : TFB18USA01
 Revision

ER24AW

No	Code	Description	Unit	Quantity
1	01540E01	TFB18 PLATE	PCS	1
2	02563S01	TFB18USA01 AVANTI CONTROL PANEL	PCS	1
3	03021107	TFB18 FUNNEL	PCS	1
4	03095T01	TFB WIDE TYPE DRAWER COVER	PCS	1
5	03101T01	TFB/A OVEN OUTER DOOR	PCS	1
6	03805E11	TFB/A OVEN INNER DOOR	PCS	1
7	05040102	TFG\TFB\TFT LEVELING FOOT (BLACK)	PCS	4
8	05053002	TFG/B/R/A SIGNAL LAMP CONTACT	PCS	2
9	05053003	SIGNAL LAMP CONTACT	PCS	2
10	05072507	BUMPER FOR DRAWER (BLACK)	PCS	4
11	05072521	TFG/B18 BUMPER FOR PLATE	PCS	2
12	05096108	TFB OVEN DOOR SEALING	PCS	1
13	07048T01	TFU CABINET RIGHT SIDE PANEL WITHOUT COOKTOP COVER	PCS	1
14	07049T01	TFU CABINET LEFT SIDE PANEL WITHOUT COOKTOP COVER	PCS	1
15	08122P	TFB18 BACK INNER COVER	PCS	1
16	08123P	TFB18 OUTER CABINET BACK COVER	PCS	1
17	09767T01	TFB SUPPLEMENT BOTTOM BASE	PCS	1
18	09821T01	TFB BASEMENT FRONT/ REAR ELEMENT	PCS	2
19	10016H01	ANTI TIP BRACKET	PCS	1
20	10026T01	TFA/B ALUMINUM HANDLE	PCS	1
21	10110530	DIA.180 BURNER 208/240V, 1580/2100W	PCS	1
22	10110531	DIA.145 BURNER 208/240V, 940/1250W	PCS	3
23	10110532	USA TYPE GRILL TUBE HEATER, 240V 2300W	PCS	1
24	10110533	USA TYPE LOWER TUBE HEATER, 240V 2000W	PCS	1
25	11537E11	TFB18 INNER OVEN	PCS	1
26	12350T01	TFG/B18 RIGHT CONSOLE	PCS	1
27	12351T01	TFG/B18 LEFT CONSOLE	PCS	1
28	12750H01	TFU HINGE BUSHING-PROTECTION COMPONENT, LEFT	PCS	1
29	12750H02	TFU HINGE BUSHING-PROTECTION COMPONENT, RIGHT	PCS	1
30	14030202	TFG/B18 PLATE SUPPORTING BAR	PCS	1
31	14520105	TFG/B/A KNOB SPRING	PCS	5
32	14560103	THERMOSTAT CLIP	PCS	2
33	15050283	TFB BOTTOM STYROFOAM	PCS	1
34	15050350	TFB/G SPLASH PANEL FRONT STYROFOAM	PCS	1
35	15050354	TFB/G LEFT FRONT STYROFOAM	PCS	1
36	15050360	TFB PLATE STYRFOR	PCS	1
37	15050368	TFB/TFG18 RIGHT BACK STYROFOAM	PCS	1
38	15050369	TFB/TFG18 LEFT BACK STYROFOAM	PCS	1
39	15051E11	TFG/B OUTER TRAY	PCS	1
40	15062E11	TFG/B/A INNER TRAY	PCS	1
41	15093E11	TFB18 SPLASH TRAY	PCS	1
42	15761S01	TFB18 AVANTI SPLASH PANEL	PCS	1
43	16011126	TFB18 AVANTI INSTRUCTION MANUAL	PCS	1
44	16041S75	TFG/B LOWER PART OF BURNER KNOB, WHITE	PCS	4
45	16041S76	TFB/G LOWER PART OF FUNCTION KNOB	PCS	1
46	16099H21	TFA/B/G OVEN SWITCH KNOB WITH SEGMENT (PROFILE Z TYPE, WHITE)	PCS	1
47	16099H22	TFA/B/G BURNER/TIMER SWITCH KNOB WITH SEGMENT	PCS	4
48	17010147	TFB INNER GRID	PCS	1
49	18009P	8" REFLECTOR BOWL	PCS	1
50	18010P	6" REFLECTOR BOWL	PCS	3
51	18020106	TFG/R/U OVEN DOOR HINGE, RIGHT	PCS	1
52	18020206	TFG/R/U OVEN DOOR HINGE, LEFT	PCS	1
53	18020211	TFG/B18 PLATE HINGE	PCS	2
54	18020212	TFG/B18 PLATE LOCK PIN	PCS	2
55	20001H	SIGNAL LAMP WIRING	PCS	2
56	23392S01	TFB18USA01 AVANTI BOX	PCS	1
57	27002H58	TFB18 CABLE GROUP	PCS	1
58	60060332	OVEN SWITCH 250V T150	PCS	1
59	60064414	SWITCH 240V\13A\	PCS	4
60	60093605	USA TYPE TERMINAL BOX	PCS	1
61	60120913	THERMOSTAT	PCS	1
62	60140407	USA TYPE BURNER CONNECTOR CLIPS	PCS	4