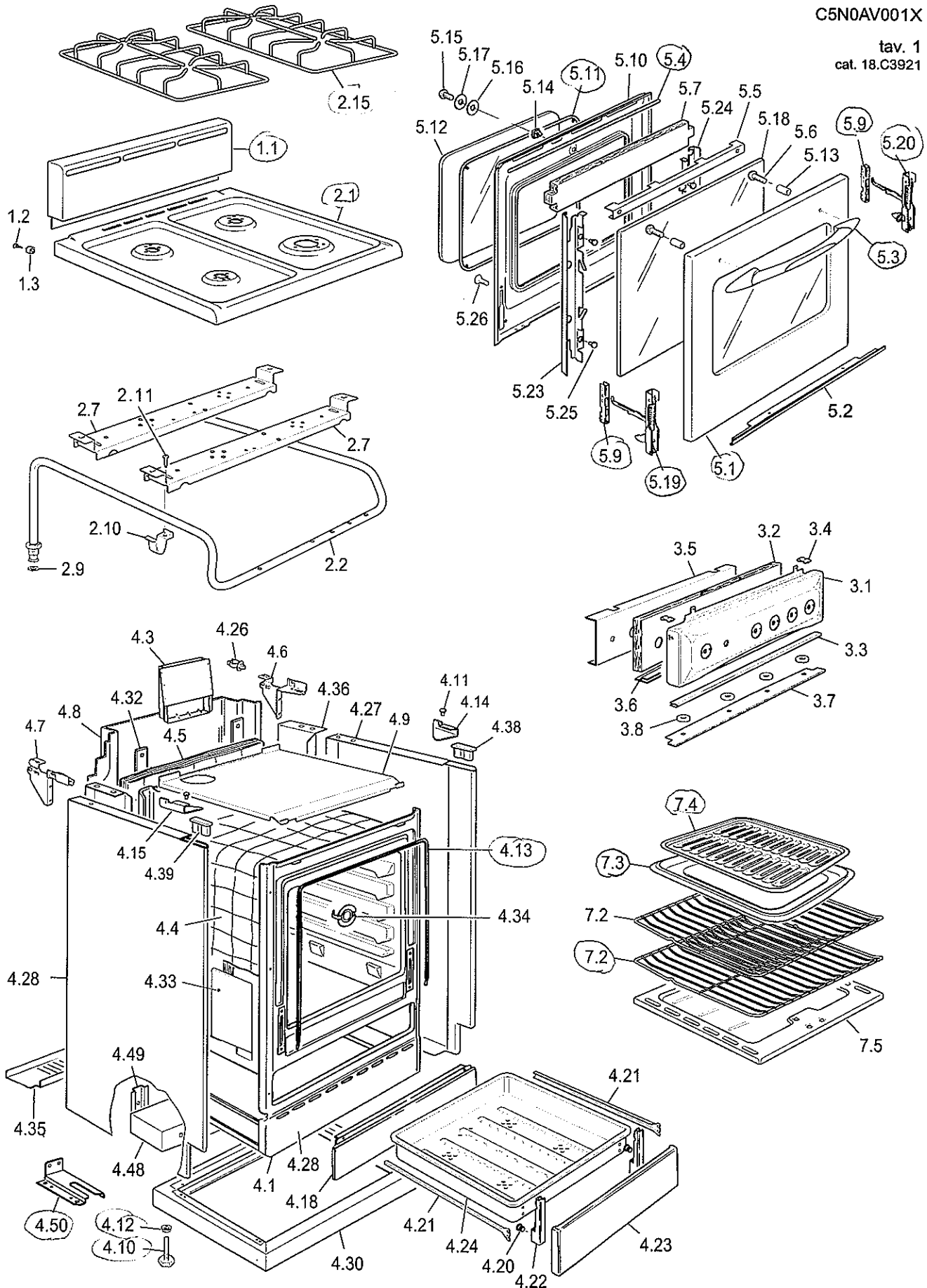


DG 201 BS

C5N0AV001X

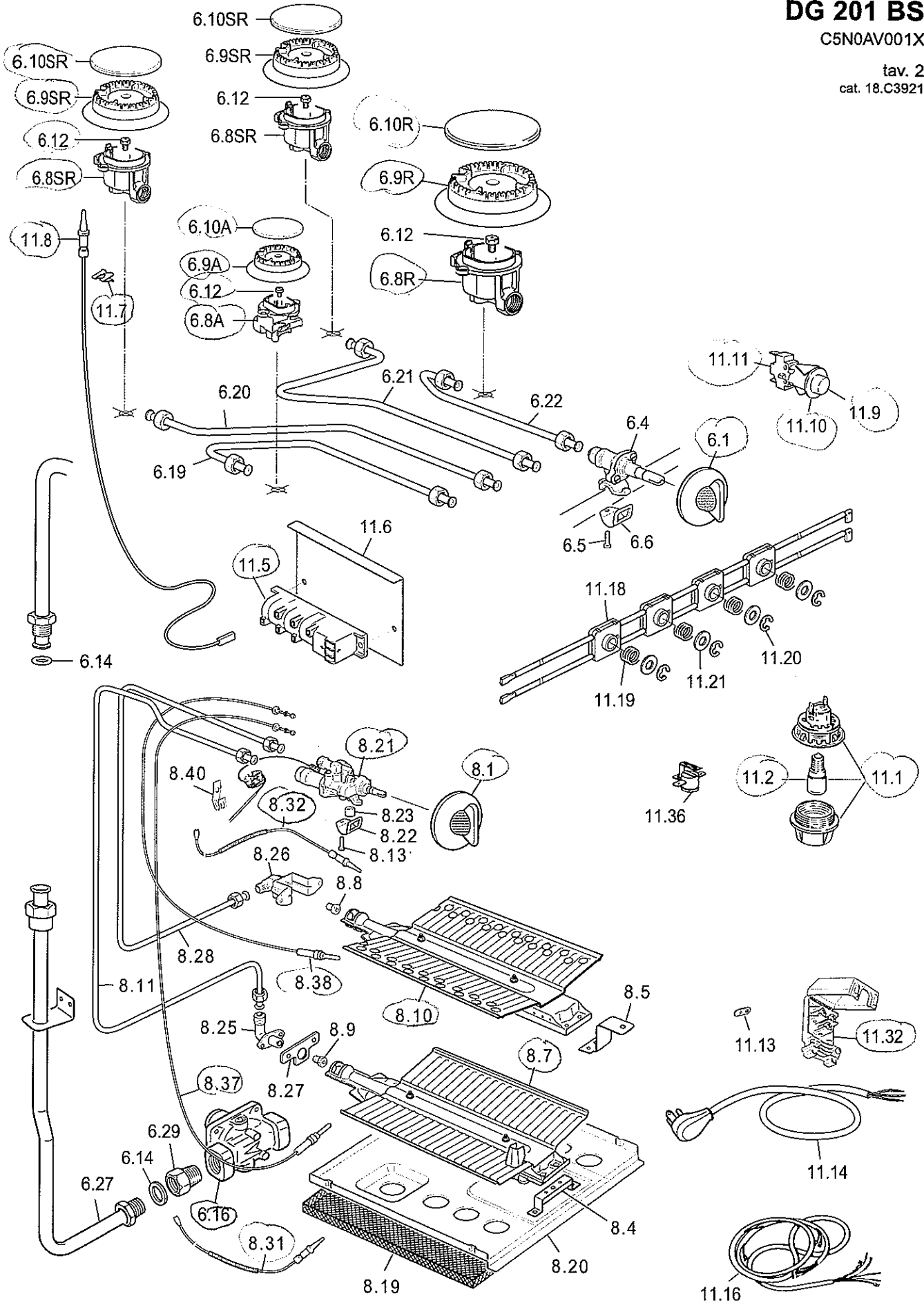
tav. 1
cat. 18.C3921



DG 201 BS

C5N0AV001X

tav. 2
cat. 18.C3921



REF.	CODE	DESCRIPTION
<u>1.1 2</u>	103910061	Rear trim
1.2	001130	Screw
1.3	040031001	Plug
=	040041001	Plug
<u>2.1 2</u>	3315N402S	Cooktop
2.2	3425N40003	Manifold
2.7	51B5N01	Burners support
2.9	053024.1	Gasket
2.10	094254	Fixing plate
2.11	001227	Screw
<u>2.15 6</u>	217621	Pan-support
3.1	35C5N07SAV	Control panel
3.2	030166.1	Control panel insulation
3.3	053114	Seal
3.4	213007	Clip
3.5	4115N02	Insulation support
3.6	053117	Control panel seal
3.7	51B5N02H	Deflector
3.8	003035	Spacer
4.1	4505N1GG12	Oven frame
4.3	46A5N03Z	Funnel
4.4	030162	Oven insulation
4.5	030168	Rear insulation
4.6	094354DX	Rear right coupler
4.7	094354SX	Rear left coupler
4.8	4115N03	Rear panel
4.9	4215102Z	Upper shelter
<u>4.10 10</u>	103854	Shim
4.11	040011	Buffer
<u>4.12 10</u>	214056	Nut shim
<u>4.13 5</u>	053047	Seal
4.14	094333DX	Front right coupler
4.15	094333SX	Front left coupler
4.18	103204081	Base panel
4.20	040012	Buffer
4.21	094171	Drawer rail
4.22	094138	Drawer fixing bracket
4.23	39E5101S	Drawer front panel
4.24	39K5104Y	Drawer
4.26	531533	Tube retainer
4.27	36C6ND1HH	Right side panel
4.28	36C6NS1HH	Left side panel
4.30	68056004	Plinth
4.32	4215101Z	Rear insulation support
4.33	58BN601	Hinge protection
4.34	035097	Rotisserie hole plug
4.35	4215N01Z	Bottom panel
4.36	51B5606	Rear side panel bar
4.38	081068/NS	Right stopper
4.39	081067/NS	Left stopper
4.48	103326	Balance weight
4.49	213016	Balance weight bracket
<u>4.50 0</u>	094495	Anti-tip stability device

REF.	CODE	DESCRIPTION
<u>5.1 3</u>	0312433	Door glass
5.2	083211081	Lower door trim
<u>5.3 3</u>	037211080	Door handle
<u>5.4 5</u>	053115	Door seal
5.5	51B5N05	Handle bar
5.6	001071	Screw M5x16
5.7	030169.1	Door insulation
<u>5.9 5</u>	063057	Door hinge female
5.10	373F5106K	Door panel
<u>5.11 5</u>	053085	Gasket
5.12	031999.1TH	Inner glass
5.13	085095	Door handle sleeve
5.14	214021	Nut
5.15	001214	Screw
5.16	003035	Washer
5.17	103205	Washer
5.18	0312444	Third glass
<u>5.19 5</u>	063095	Left door hinge (male)
<u>5.20 5</u>	063094	Right door hinge (male)
5.23	51B5N04	Right inner glass support
5.24	51B5N03	Left inner glass support
5.25	040056	Third glass rubber
<u>7.2 10</u>	217622	Oven shelf
<u>7.3 5</u>	48B6105K	Broiling pan tray
<u>7.4 5</u>	48E6104K	Pastry plate
7.5	47E5103K	Oven floor

REF.	CODE	DESCRIPTION
<u>6.1 15</u>	2183442323	Burner knob
6.4	106240	Tap - Ø 0.27 A
=	106241	Tap - Ø 0.32 SR
=	106242 3	Tap - Ø 0.42 R
6.5	001233	Tap fixing screw
6.6	094382	Tap bracket
<u>6.8A 5</u>	215465	A burner-cup
<u>6.8SR 5</u>	215466	SR burner-cup
<u>6.8UR 5</u>	215467	UR burner-cup
<u>6.9 10</u>	068111001	UR burner head <i>Lg.</i>
= <u>10</u>	068110001	SR burner head <i>Mid.</i>
= <u>10</u>	068109001	A burner head <i>SM</i>
<u>6.10A 10</u>	216129080	A burner-cap (Black) <i>SM</i>
<u>6.10SR 10</u>	216130080	SR burner-cap (Black) <i>Mid.</i>
<u>6.10UR 10</u>	216131080	UR burner-cap (Black) <i>Lg.</i>
<u>6.12 6</u>	101290	Injector - Ø 0.90 - AUX
=	101292	Injector - Ø 0.55 - AUX
=	101225	Injector - Ø 1.18 - SR
=	101293	Injector - Ø 0.72 - SR
=	101226	Injector - Ø 1.55 - R
=	101275	Injector - Ø 0,94 - R
6.14	053024.1	Elbow gasket
<u>6.16 15</u>	103841	Gas pressure regulator 1/2" NG
6.19	029608	A inlet pipe
6.20	029610	SR inlet pipe left
6.21	029601	SR inlet pipe right
6.22	029603	R inlet pipe
6.27	3425N001	Extension pipe
6.29	067033	Connection
<u>8.1 15</u>	2183442323	Oven knob
8.4	094543	Oven burner bracket
8.5	094542	Broil burner bracket
<u>8.7 6</u>	215479	Oven burner
8.8	101070	Broil burner injector - Ø 1.46
=	101128	Broil burner injector - Ø 0.88
8.9	101210	Oven burner injector - Ø 1.75
=	101209	Oven burner injector - Ø 1.05
<u>8.10 4</u>	215480	Broil burner
8.11	029830	Oven inlet pipe
8.13	001248	Screw
8.19	4215N03Z	Oven burner protection
8.20	4215N02Z	Oven burner support
<u>8.21 15</u>	066150	Thermostat
8.22	094503	Bracket
8.23	053045	Gasket
8.25	067036	Oven elbow
8.26	067035	Broil elbow
8.27	094541	Elbow support
8.28	029831	Broil inlet pipe
<u>8.31 25</u>	084040	Oven igniter with wire
<u>8.32 15</u>	084041	Broil igniter with wire
<u>8.37 15</u>	107055	Oven thermocouple - L=1200
<u>8.38 15</u>	107056	Broil thermocouple - L=1000
8.40	213015	Clip

REF.	CODE	DESCRIPTION
<u>11.1 6</u>	072005	Lamp holder
<u>11.2 6</u>	073013005	Lamp - 15 W
<u>11.5 15</u>	082072	6 Burners ignition coil
11.6	094413	Burners ignition coil bracket
<u>11.7 10</u>	035094	Igniter spring
<u>11.8 25</u>	084028	Igniter - L = 250 mm
=	084029	Igniter - L = 630 mm
11.9 6	103526080	Push-button switch
<u>11.10 6</u>	103576080	Boss switch Rold
<u>11.11 6</u>	077029	Switch
11.13	041210	Earth plate
11.14	054104	Cord
11.16	1131560	Wiring
11.18	103851	Ignition switches
11.19	035080	Spring
11.20	003039	Retaining ring
11.21	003038	Washer
<u>11.32 3</u>	051067	Terminal block
-	1102675	Users operating instructions
-	1102676	Installation instructions

*A = Auxiliary burner (Aux)
(Small) 3500 BTU/hr.*

*SR = Left Semi-Rapid burner (SR)
Right 6000 BTU/hr.
(Mid)*

*R = Rapid burner (R)
(Lg) 10000 BTU/hr*