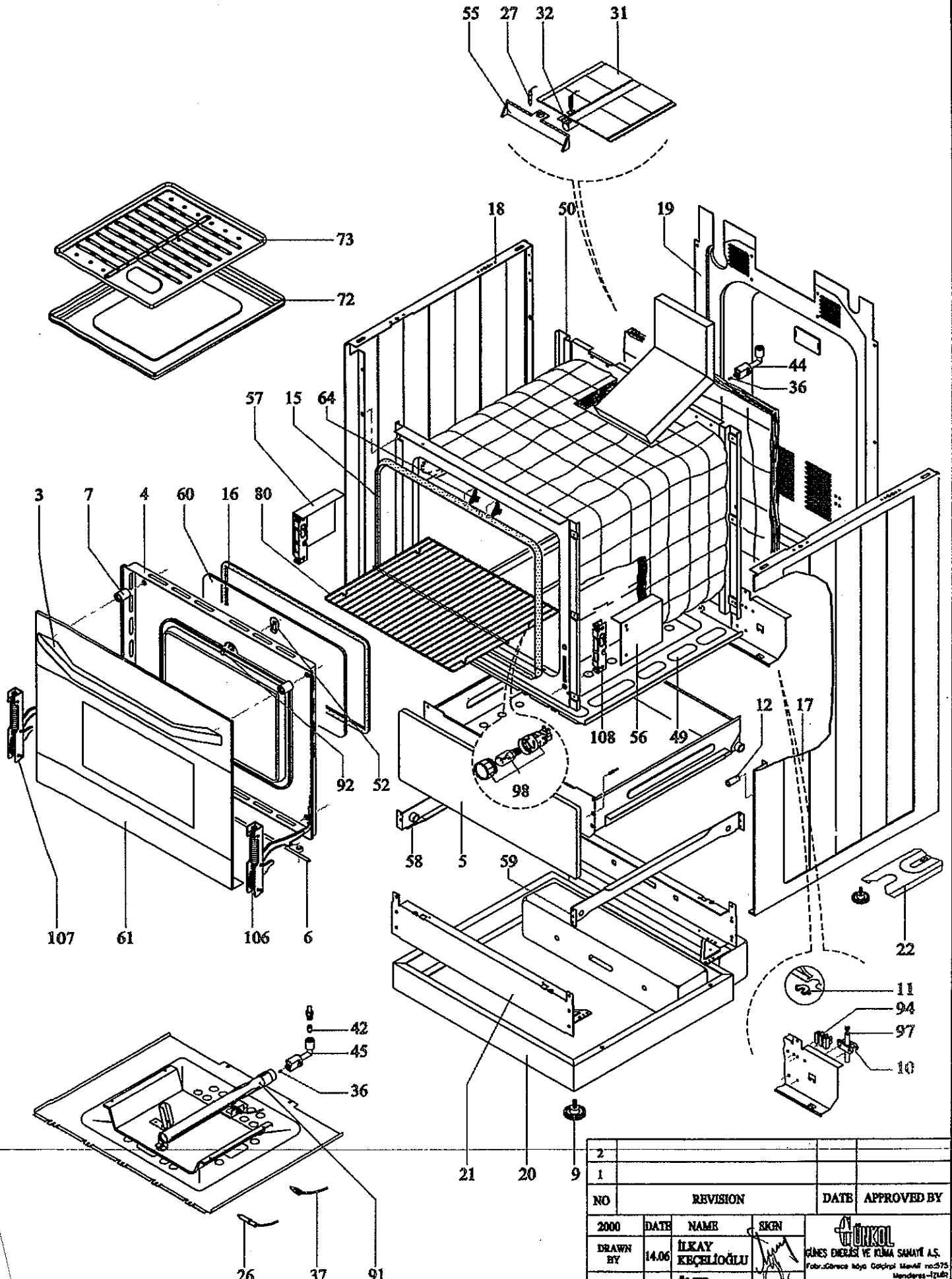


dg 20 c 55



2				
1				
NO	REVISION	DATE	APPROVED BY	
2000				 GUNES EMERIS VE KUMA SANAYI A.S. Fab. Gurece Hoyu Gocirpi Manifi no:55 Menderes-TURKIYE
DRAWN BY	14.06	ILKAY KECELIOGLU		

Spare Part List

Customer :AVANTI
 Customer Product Code :DG20CSS
 Product Code :TFG21USA06
 Description
 Exploded Drawing No :TFG21USA06
 Revision
 Valid Thru :14 JUN 2000

No	Code	Description	Unit	Quan
1	01693K	TFG4 PLATE, INOX USA	PCS	
2	02520S01	TFG21USA06 AVANTI INOX CONTROL PANEL	PCS	
3	03031335	TFG TRAPEZE TYPE DOOR HANDLE, INOX	PCS	
4	03094E11	TFG OVEN DOOR	PCS	
5	03786H22	TFG DRAWER BODY WITH WIDE FLAP TYPE COVER, INOX	PCS	
6	04023T11	TFG LOWER STRIP FOR GLASS	PCS	
7	05010104	TFG/TFB/TFA BUMPER FOR HANDLE	PCS	
8	050220-77	OVEN TAP KNOB, BLACK	PCS	
9	5040102	TFG\TFB\TFT LEVELING FOOT (BLACK)	PCS	
10	05052506	STRAIN RELIEF	PCS	
11	05052510	CABLE PROTECTOR	PCS	
12	05072507	BUMPER FOR DRAWER (BLACK)	PCS	
13	05072513	COOKING GRID PLUG	PCS	
14	05081005	TFB/TFG/TFR MICROSWITCH STOPPER	PCS	
15	05096115	TFG OVEN DOOR SEAL	PCS	
16	05096118	INNER GLASS SEAL	PCS	
17	07011T11	TFB-TFG OUTER CABINET RIGHT SIDE PANEL	PCS	
18	07012T11	TFB-TFG OUTER CABINET LEFT SIDE PANEL	PCS	
19	08114P	TFG21 OUTER CABINET BACK COVER	PCS	
20	09766T11	TFG SUPPLEMENT BOTTOM PLINTH	PCS	
21	09804T11	TFG/R BASEMENT REAR ELEMENT	PCS	
22	10016H01	ANTI TIP BRACKET	PCS	
23	10160404	IGNITER	PCS	
24	10170157	SPARKING PLUG WITH CABLE, 440MM	PCS	
25	10170158	SPARKING PLUG WITH CABLE, 200MM	PCS	
26	10170206	SPARKING PLUG CABLE, 1250MM	PCS	
27	10170207	SPARKING PLUG CABLE, 400MM	PCS	
28	11010156	LARGE BURNER UPPER PART (AESTHETIC/WITH IGNITER)	PCS	
29	11010157	MEDIUM BURNER UPPER PART (AESTHETIC/WITH IGNITER)	PCS	
30	11010158	SMALL BURNER UPPER PART (AESTHETIC/WITH IGNITER)	PCS	
31	11010313	TFG/TFB/TFR21 GRILL BURNER REFLECTOR	PCS	
32	11010314	TFG/B21 GRILL BURNER GROUP (USA)	PCS	
33	11010401	M6*0.75-0.50 INJECTOR	PCS	
34	11010402	M6*0.75-0.65 INJECTOR	PCS	
35	11010410	M6*0.75-0.92 INJECTOR	PCS	
36	11010423	M6*0.75-0.90 INJECTOR	PCS	
37	11020728	OVEN&GRILL BURNER THERMOSTAT	PCS	
38	11021314	TAP WITH THERMOSTAT (NG, GREEN PAINTED)	PCS	
39	11030413	TFG/B OVEN BURNER GAS DELIVERY PIPE	PCS	
40	11040503	MALE NUT	PCS	
41	11040504	CLAMPING RING	PCS	
42	11040507	CLAMPING RING	PCS	

43	11040508	MALE NUT	PCS
44	11055132	TFG GRILL BURNER ADAPTOR(NG)	PCS
45	11057132	OVEN BURNER ADAPTOR	PCS
46	11060140	LARGE BURNER LOWER PART,AESTHETIC	PCS
47	11061097	MEDIUM BURNER LOWER PART,AESTHETIC	PCS
48	11062075	NEW AESTHETIC SMALL BURNER LOWER PART	PCS
49	11273E11	TFG/B/R21 INNER OVEN BOTTOM COVER	PCS
50	11566E11	TFG21 INNER OVEN	PCS
51	12020P	TFG-TFB IGNITION SUPPORT ELEMENT	PCS
52	12070C	TFA-TFB INNER GLASS ASSEMBLY ELEMENT	PCS
53	12143T11	TFG/B/U PLATE SUPPORT ELEMENT,RIGHT	PCS
54	12144T11	TFG/B/U PLATE SUPPORT ELEMENT,LEFT	PCS
55	12259P	TFG/B/R21 GRILL BURNER HEAT PROTECTOR	PCS
56	12278P	TFA/B/G/U HINGE SUPPORT ELEMENT,RIGHT	PCS
57	12279P	TFA/B/G/U HINGE SUPPORT ELEMENT,LEFT	PCS
58	12756H05	TFG/TFB DRAWER GUIDE, LEFT (BLACK)	PCS
59	12756H06	TFG/TFB DRAWER GUIDE, RIGHT (BLACK)	PCS
60	13010251	TFB/G/A INNER GLASS LOW-E	PCS
61	13010756	TFG INOX GLASS	PCS
62	14520105	TFG/B/A KNOB SPRING	PCS
63	14560101	CLIP	PCS
64	14560103	THERMOSTAT CLIP	PCS
65	14560106	MICRO SWITCH SPRING	PCS
66	14560107	SEGMENT OF SPARKING PLUG	PCS
67	15050349	TFB/G SPLASH GUARD REAR STYRAPHOR	PCS
68	15050350	TFB/G SPLASH GUARD FRONT STYRAPHOR	PCS
69	15050353	TFB/G RIGHT BACK STYRAPHOR	PCS
70	15050354	TFE/G LEFT FRONT STYRAPHOR	PCS
71	15050359	TFG PLATE STYRAPHOR	PCS
72	15051E11	TFG/B OUTER TRAY	PCS
73	15062E11	TFG/B/A INNER TRAY	PCS
74	15758S02	TFG21 AVANTI SPLASH PLINT	PCS
75	16011072	TFG21USA04/05 AVANTI INSTRUCTION MANUAL	PCS
76	16011075	TFG21 INSTRUCTION MANUAL	PCS
77	16044S29	TFB/G LOWER PART OF HOB KNOB, BLACK	PCS
78	16044S30	TFB/G LOWER PART OF OVEN KNOB, BLACK	PCS
79	16099H50	TFB/G/A SOURDILLON HOB TAP KNOB (PROFILE TYPE, BLACK)	PCS
80	17010133	TFG INNER GRID	PCS
81	17020221	TFG TWIN COOKING GRID	PCS
82	17098E11	MEDIUM BURNER COVER (AESTHETIC)	PCS
83	17099E11	SMALL BURNER COVER (AESTHETIC)	PCS
84	17107E11	BIG BURNER COVER	PCS
85	17404N	TFG21 GAS DELIVERY PIPE	PCS
86	17670N	TFG LEFT FRONT GAS DELIVERY PIPE	PCS
87	17671N	TFG LEFT BACK GAS DELIVERY PIPE	PCS
88	17672N	TFG RIGHT FRONT GAS DELIVERY PIPE	PCS
89	17673N	TFG RIGHT BACK GAS DELIVERY PIPE	PCS
90	17674N	TFG-B21 GRILL BURNER GAS DELIVERY PIPE	PCS
91	17992H01	TFB/G/R OVEN BURNER GROUP	PCS
92	18010101	TFB-TFG WIRE RACK SYSTEM FIXING NUT	PCS
93	18010207	TFG21 SPLASH GUARD BACK COVER	PCS
94	18755H06	PLASTIC TERMINAL	PCS
95	23367S29	TFG21USA06 AVANTI BOX	PCS
96	25004H74	TFG21 WIRING TREE	PCS
97	60015408	POWER SUPPLY CORD	PCS
98	60050201	OVEN LAMP, T300, 15W, 120..130V	PCS
99	60064303	TOA41 MICRO SWITCH	PCS
100	60071403	TFG/TFB INNER CLARIFICATION BUTTON, BLACK	PCS
101	61020336	TFB/TFG/TFR 0.30 INJ. HOB TAP	PCS
102	61020337	TFB/TFG/TFR 0.39 INJ. HOB TAP	PCS
103	61020338	TFB/TFG/TFR 0.45 INJ. HOB TAP	PCS
104	61021104	TFG21 GAS REGULATOR	PCS

105	61040603	LOWER SEAL FOR TAP (TFG/B/S)	PCS
106	68020107	RIGHT HINGE	PCS
107	68020200	LEFT HINGE	PCS
108	68020300	HINGE BUSHING	PCS