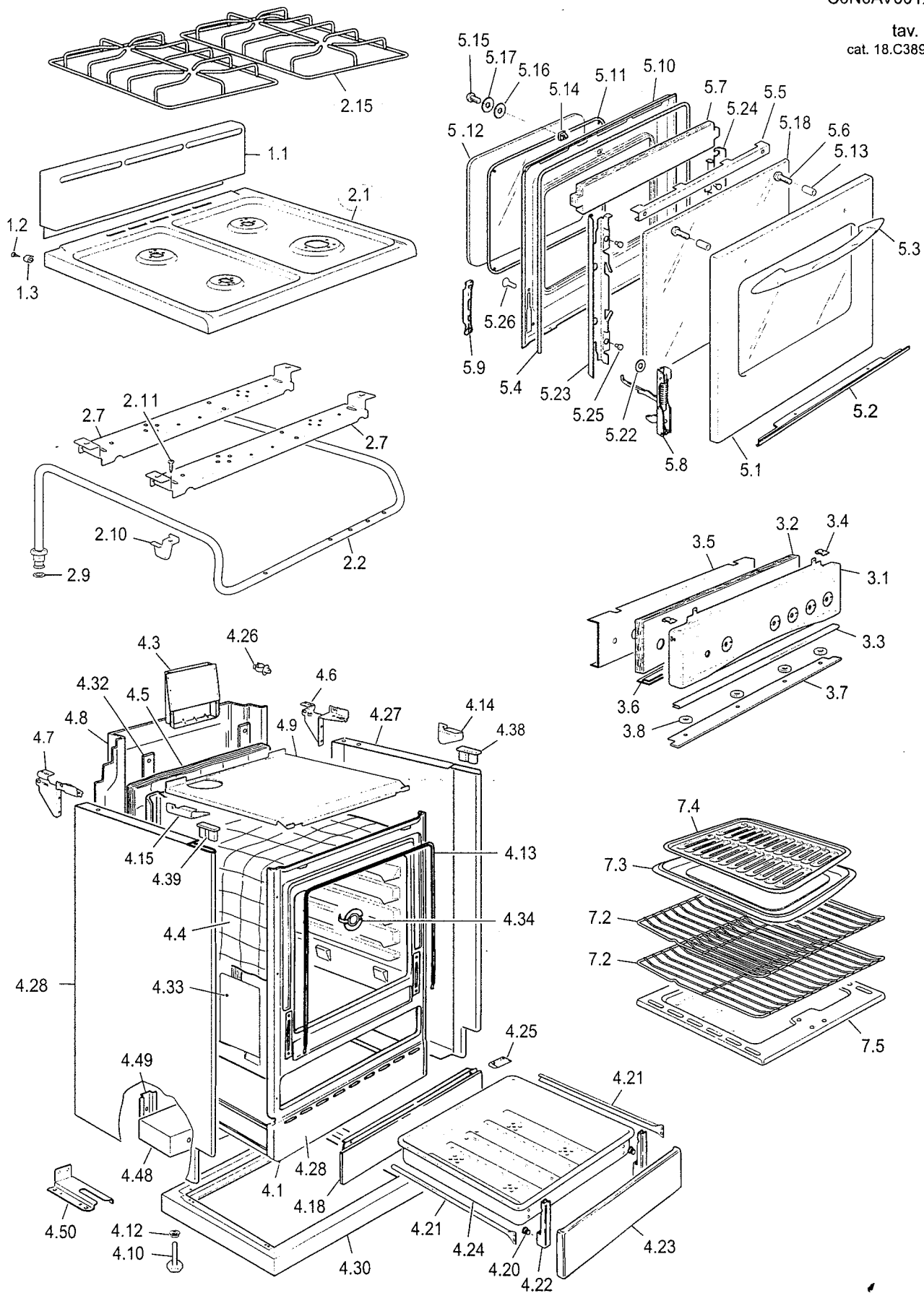


# DG 241 BS

C6N0AV001X

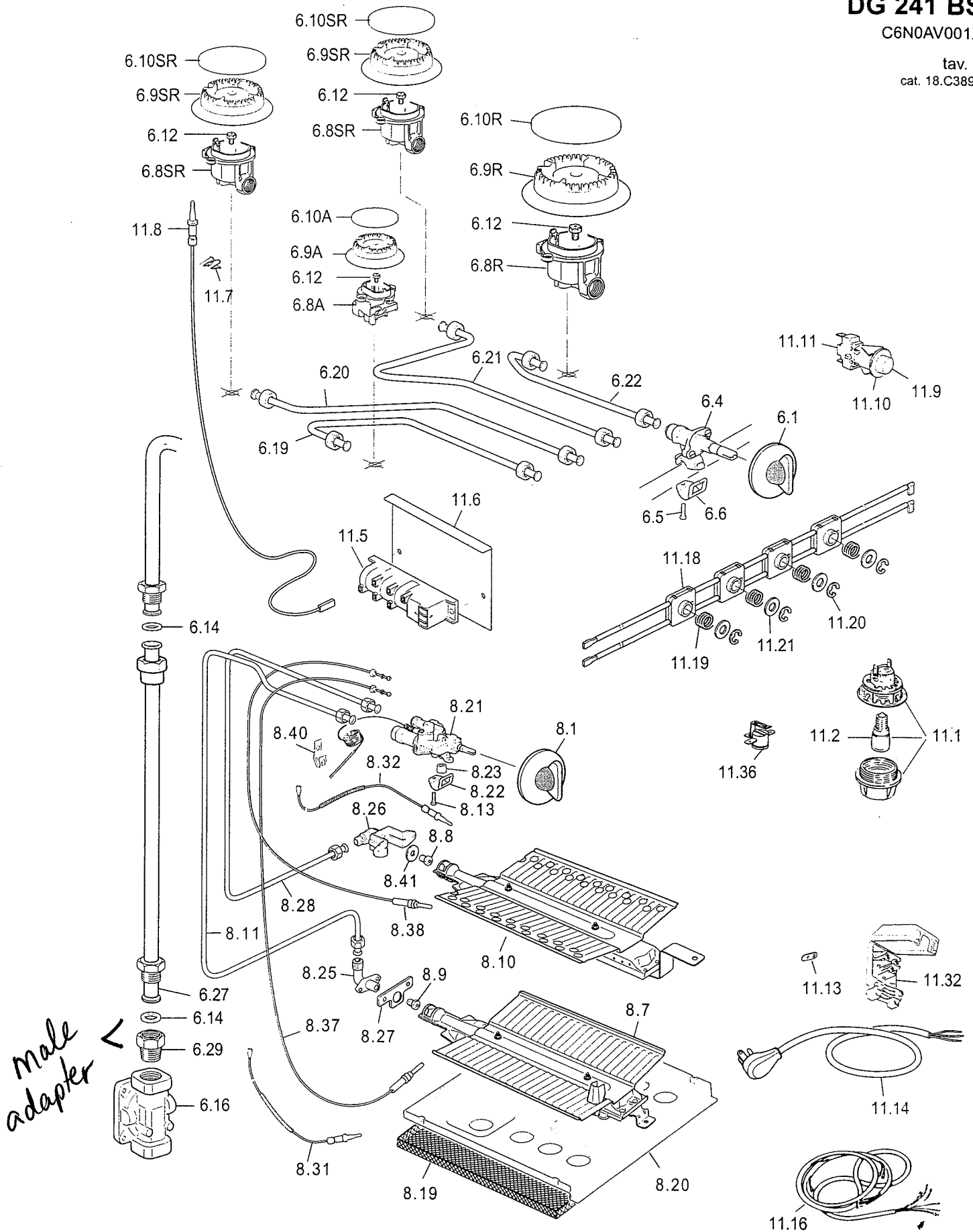
tav. 1  
cat. 18.C3891



# DG 241 BS

C6N0AV001X

tav. 2  
cat. 18.C3891



REF.	CODE	DESCRIPTION
<u>1.1</u> <i>2</i>	103908061	Rear trim
1.2	001130	Screw
1.3	040031002	Plug
<u>2.1</u> <i>2</i>	3316N406S	Cooktop
2.2	3426N40005	Manifold
2.7	51B6N01	Burners support
2.9	053024.1	Gasket
2.10	094254	Fixing plate
2.11	001227	Screw
<u>2.15</u> <i>G</i>	217620	Pan-support
3.1	35C6N31SAV	Control panel
3.2	030164.1	Control panel insulation
3.3	053111	Seal
3.4	213007	Clip
3.5	4116N06	Insulation support
3.6	053109	Control panel seal
3.7	51B6N02	Deflector
3.8	003066	Spacer
4.1	4506N1GG14	Oven frame
4.3	46A6N05Z	Funnel
4.4	030159	Oven insulation
4.5	030160	Rear insulation
4.6	094354DX	Rear right coupler
4.7	094354SX	Rear left coupler
4.8	4116N05	Rear panel
4.9	4216101Z	Upper shelter
4.10 <i>same</i>	103854	Shim
4.12 <i>same</i>	214056	Nut shim
<u>4.13</u> <i>S</i>	053039	Seal
4.14	094333DX	Front right coupler
4.15	094333SX	Front left coupler
4.18	103160081	Base panel
4.20	040012	Buffer
4.21	094075	Drawer rail
4.22	094138	Drawer fixing bracket
4.23	39E6601S	Drawer front panel
4.24	39K6101Y	Drawer
4.25	081073	Drawer stopper
4.26	531533	Tube retainer
4.27	36C6ND1HH	Right side panel
4.28	36C6NS1HH	Left side panel
4.30	68061010	Plinth
4.32	4219604Z	Rear insulation support
4.33	58BN601	Hinge protection
4.34	035097	Rotisserie hole plug
4.38	081068/NS	Right stopper
4.39	081067/NS	Left stopper
4.48	103326	Balance weight
4.49	213016	Balance weight bracket
4.50 <i>same</i>	094495	Anti-tip stability device

REF.	CODE	DESCRIPTION
<u>5.1</u> <i>3</i>	0312432	Door glass
5.2	083262081	Lower door trim
5.3 <i>same</i>	037211080	Door handle
<u>5.4</u> <i>S</i>	053112	Door seal
5.5	51B6119	Handle bar
5.6	001071	Screw M5x16
5.7	030163.1	Door insulation
<u>5.8</u> <i>S</i>	053096	Door hinge male
<u>5.9</u> <i>S</i>	063066	Door hinge female
5.10	373FF704K	Door panel
<u>5.11</u> <i>S</i>	053084	Gasket
5.12	0311000.1T	Inner glass
5.13	085095	Door handle sleeve
5.14	214021	Nut
5.15	001214	Screw
5.16	003035	Washer
5.17	103205	Washer
5.18	0312439	Third glass
5.23	51BFG03	Right inner glass support
5.24	51BFG02	Left inner glass support
5.25	040056	Third glass rubber
<u>7.2</u> <i>3</i>	217623	Oven shelf
7.3 <i>same</i>	48B6105K	Broiling pan tray
7.4 <i>same</i>	48E6104K	Pastry plate
7.5	47EN604K	Oven floor

REF.	CODE	DESCRIPTION	REF.	CODE	DESCRIPTION
6.1	<i>Some</i> 2183442323	Burner knob	11.1	<i>Some</i> 072005	Lamp holder
6.4	106240	Tap - Ø 0.27 A	11.2	<i>Some</i> 073013005	Lamp - 15 W
=	106241	Tap - Ø 0.32 SR	11.5	082072	6 Burners ignition coil
=	106242	Tap - Ø 0.42 R	11.6	094413	Burners ignition coil bracket
6.5	001233	Tap fixing screw	11.7	<i>Some</i> 035094	Igniter spring
6.6	094382	Tap bracket	11.8	<i>Some</i> 084028	Igniter - L = 250 mm
6.8A	<i>Some</i> 215465	A burner-cup	=	084029	Igniter - L = 630 mm
6.8SR	215466	SR burner-cup	11.9	<i>Some</i> 103526080	Push-button switch
6.8UR	215467	UR burner-cup	11.10	<i>Some</i> 103576080	Boss switch Rold
6.9	068111001	UR burner head	11.11	<i>Some</i> 077029	Switch
=	068110001	SR burner head	11.13	041210	Earth plate
=	068109001	A burner head	11.14	054104	Cord
6.10A	216129080	A burner-cap (Black)	11.16	1131554	Wiring
6.10SR	216130080	SR burner-cap (Black)	11.18	103851	Ignition switches
6.10UR	216131080	UR burner-cap (Black)	11.19	035080	Spring
6.12	101290	Injector - Ø 0.90 - AUX	11.20	003039	Retaining ring
=	101292	Injector - Ø 0.55 - AUX	11.21	003038	Washer
=	101225	Injector - Ø 1.18 - SR	11.32	<i>Some</i> 051067	Terminal block
=	101293	Injector - Ø 0.72 - SR			
=	101226	Injector - Ø 1.55 - R	-	1102664	Users operating instructions
=	101275	Injector - Ø 1.09- R	-	1102665	Installation instructions
6.14	053024.1	Elbow gasket			
6.16	<i>Some</i> 103841	Gas pressure regulator 1/2" NG			
6.19	029600	A inlet pipe			
6.20	029602	SR inlet pipe left			
6.21	029601	SR inlet pipe right			
6.22	029603	R inlet pipe			
6.27	3426N001	Extension pipe			
6.29	067033	Connection			
8.1	<i>Some</i> 2183442323	Oven knob			
8.7	<i>G</i> 215474	Oven burner			
8.8	101070	Broil burner injector - Ø 1.46			
=	101128	Broil burner injector - Ø 0.88			
8.9	101207	Oven burner injector - Ø 1.80			
=	101143	Oven burner injector - Ø 1.09			
8.10	<i>H</i> 215475	Broil burner			
8.11	029802	Oven inlet pipe			
8.13	001248	Screw			
8.19	4216N02Z.1	Oven burner protection			
8.20	4216N01Z	Oven burner support			
8.21	<i>Some</i> 066150	Thermostat			
8.22	094503	Bracket			
8.23	053045	Gasket			
8.25	067036	Oven elbow			
8.26	067035	Broil elbow			
8.27	094513	Elbow support			
8.28	029803	Broil inlet pipe			
8.31	<i>Some</i> 084040	Oven igniter with wire			
8.32	<i>Some</i> 084041	Broil igniter with wire			
8.37	<i>Some</i> 107055	Oven thermocouple - L=1200			
8.38	<i>Some</i> 107056	Broil thermocouple - L=1000			
8.40	213015	Clip			
8.41	003067	Washer			