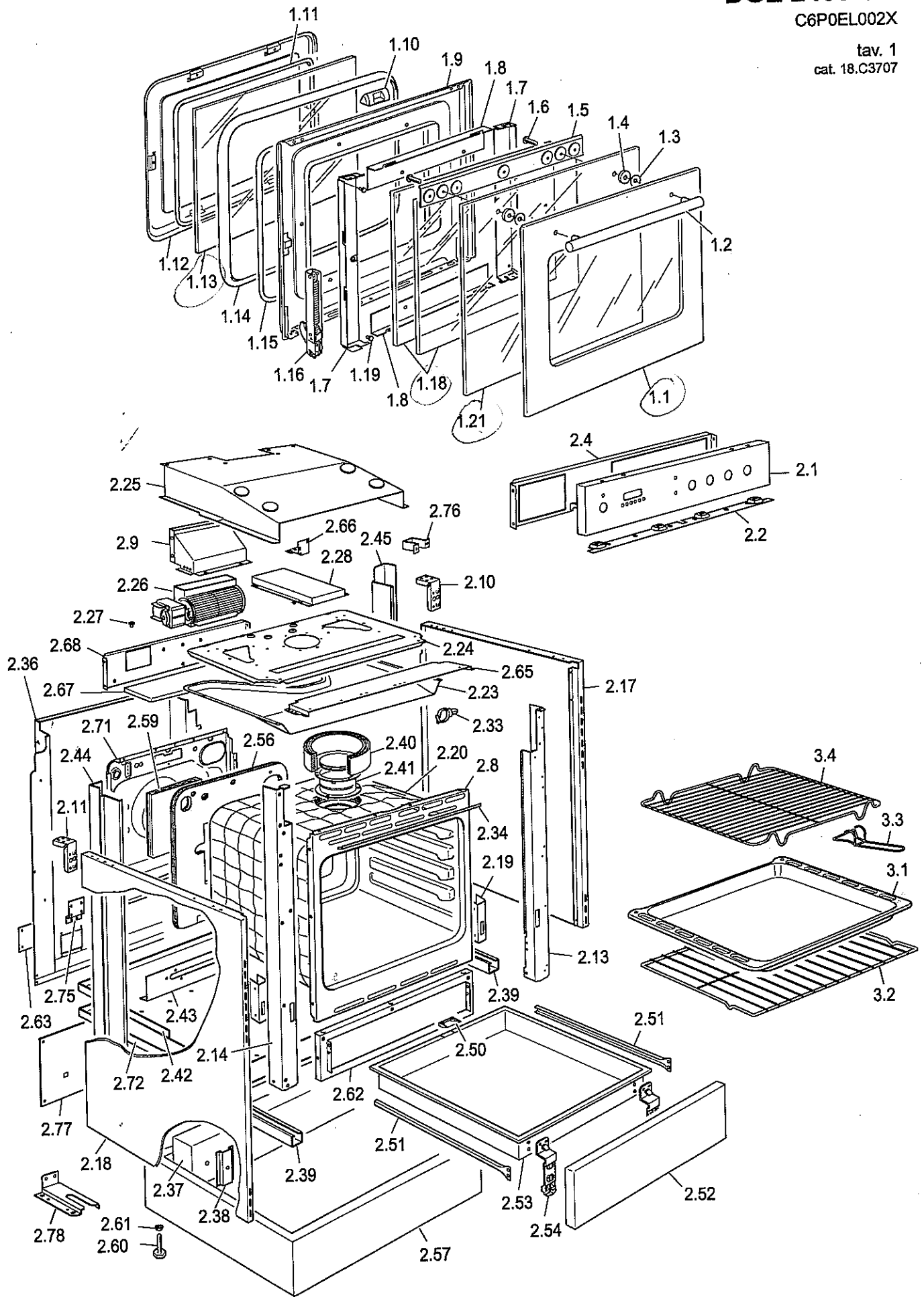


# DGE 2403 SC

C6P0EL002X

tav. 1  
cat. 18.C3707

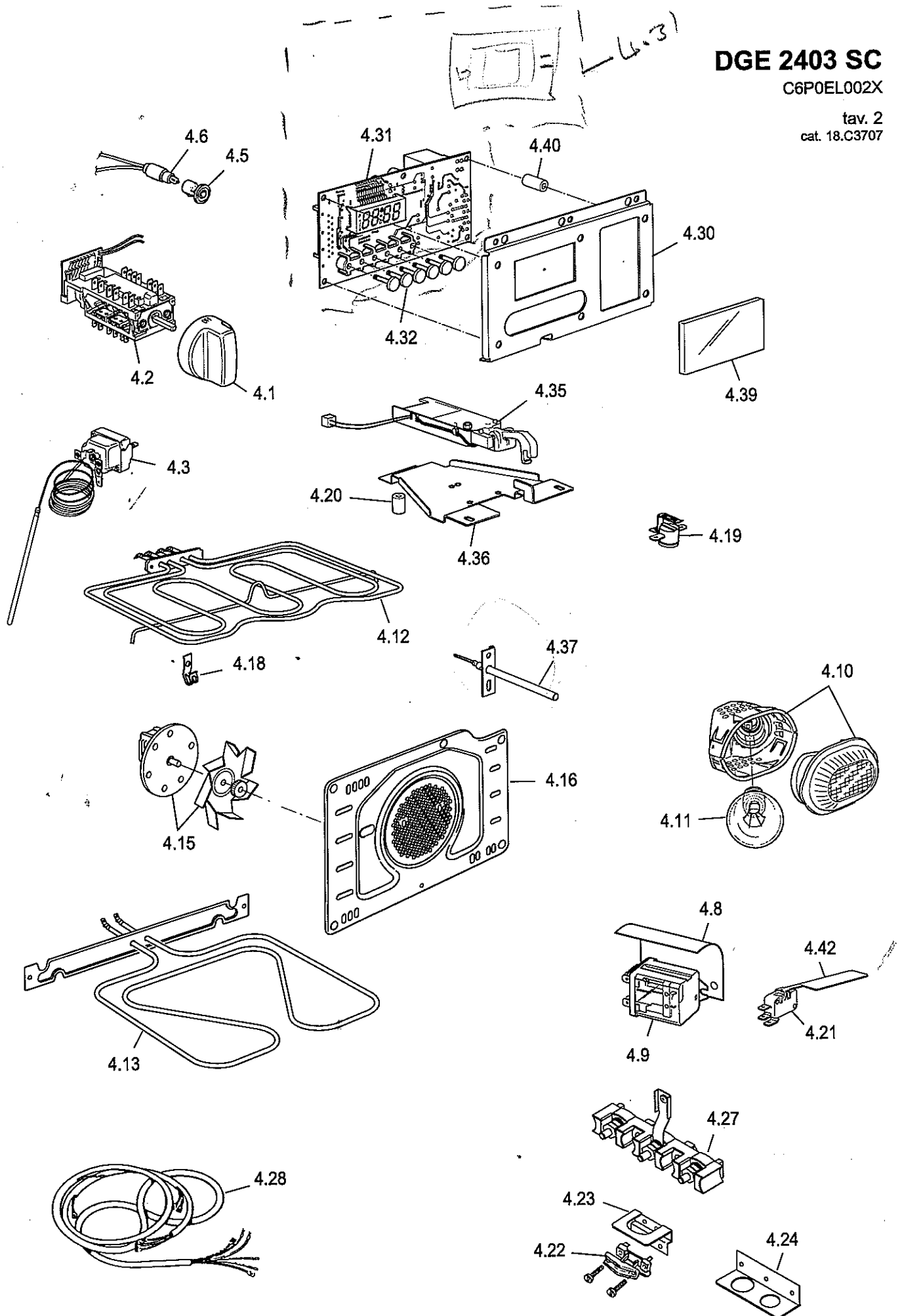


REF.	CODE	DESCRIPTION	REF.	CODE	DESCRIPTION
1.1	0326P2241A	Door glass	2.56	030137	Rear insulation
1.2	037231062A	Door handle	2.57	68066002H	Plinth
1.3	003033	Washer	2.59	030138	Rear central insulation
1.4	085091	Spacer	2.60	103854	Shim
1.5	51BF604	Handle bar	2.61	214056	Shim nut
1.6	001032	Door handle screw	2.62	51B6611Z	Drawer opening frame
1.7	51BF610	Glass side support	2.63	51B6612	Terminal block access plate
1.8	51BF611	Support	2.65	4216607Z	Controls protection
1.9	372FF602P	Door panel frame	2.66	094490	Microswitch support
1.10	103620	Door lock block	2.67	4216608Z	Cooling fan sheet support
1.11	053090	Inner glass gasket	2.68	51B6610Z	Cooling fan bar support
1.12	372FF603P	Door panel frame	2.71	421F603Z	Oven rear panel
1.13	0312116	Middle inner glass	2.72	4216609Z	Bottom panel
1.14	053089	Door panel gasket	2.75	094515	Transformer bracket
1.15	053099	Seal	2.76	094486	Manifold esxtension support
1.16	063113	Hinge (male)	2.77	4216604Z	Bottom rear panel
1.18	0312117	Inner glass	2.78	094495	Shim bracket
1.19	040056	Rubber	3.1	48BF601P	Grill-pan tray
1.21	0312374	Inner glass	3.2	217603	Oven shelf
2.1	35C6606SNT	Control panel	3.3	037144	Grill-pan grid handle
2.2	51B7601S	Deflector	3.4	217546	Grill-pan grid
2.4	4116604	Control panel support			
2.8	450FP1EM32	Oven cube			
2.9	46A6601Z	Funnel			
2.10	094417DX	Rear right coupler			
2.11	094417SX	Rear left coupler			
2.13	51B6607H	Right front trim			
2.14	51B6608H	Left front trim			
2.17	36C66D2S	Side panel right			
2.18	36C66S2S	Side panel left			
2.19	094487	Door hinge female			
2.20	030123	Oven insulation			
2.23	411F607	Lower air conveyer			
2.24	421F606Z	Air conveyer support			
2.25	4216606Z	Air conveyer			
2.26	079036	Tangential fan			
2.27	040056	Rubber			
2.28	094489	Fumes catalyst conveyer			
2.33	103672	Cable support			
2.34	053074	Upper seal			
2.36	4116602Z	Rear panel			
2.37	103326	Balance weight			
2.38	213016	Balance weight bracket			
2.39	51B6601	Lateral crosspiece support			
2.40	030132	Fumes catalyst insulation			
2.41	103723	Fumes catalyst			
2.42	4216602Z	Bottom panel			
2.43	51BF603	Bottom element support			
2.44	51B6609SX	Left rear trim			
2.45	51B6609DX	Right rear trim			
2.50	081073	Drawer stopper			
2.51	094075	Drawer rail			
2.52	39E6605YS	Drawer front panel			
2.53	39K6603Y	Drawer			
2.54	094371	Drawer fixing bracket			

# DGE 2403 SC

C6P0EL002X

tav. 2  
cat. 18.C3707



REF.	CODE	DESCRIPTION
4.1	2183A17374	Control knob
4.2	050061	Switch
4.3	066151	Thermostat
4.5	07306202	Control lamp cover (Red)
4.6	073069	Control lamp L 1150
=	073070	Control lamp L 600
=	073067	Control lamp L 230
4.8	039059	Insulation
4.9	103855	Relay
4.10	072013	Lamp holder
4.11	073013006	Lamp
4.12	062111001	Top + grill element - 240 V
4.13	062112001	Bottom element - 240 V
4.15	079035	Fan motor - 240 V
4.16	47AF601P	Fan diffuser
4.18	213031	Clip
4.19	066068	Cut-off thermostat 130°
4.20	085090	Spacer
4.21	077079	Air flow microswitch
4.22	052008	Wire fastener
4.23	094511	Wire fastener bracket
4.24	094488	Conduit bracket
4.27	051064	Terminal block
4.28	1131512	Wiring
=	1131511	Wiring
4.30	094441	Programmer electronic card support
4.31	074072	Programmer electronic card + <i>transfer external transformer.</i>
4.32	103271009	Button
4.35	103853	Door lock
4.36	094398	Door lock support
4.37	107054	Probe
4.39	0312254	Glass programmer
4.40	071060	Programmer electronic card peg
4.42	094491	Microswitch blade



REF.	CODE	DESCRIPTION
5.1	103839061	Rear trim
5.2	3316S406S	Cooktop
5.3	040031002	Plug
5.4	001130	Screw
5.5	217602	Pan-support
5.6	217498	Wok grid
5.7	3426P40002	Manifold
5.8	3426P40003	Anchorage pipe
5.9	094254	Fixing plate
5.10	51B6N01	Burners support
5.11	001089	Screw
5.12	035100	Spring
5.13	103615	Pin
5.14	214062	Nut
5.15	053024.1	Gasket
5.16	3426601	Extension pipe
5.17	067033	Connection
5.18	103841	Gas pressure regulator 1/2" NG
5.19	094509	Manifold support
6.1	2183A07346	Burner knob
6.4	106240	Tap - Ø 0.27 A
=	106241	Tap - Ø 0.32 SR
=	106243	Tap - Ø 0.65 TR
6.5	001233	Tap fixing screw
6.6	094382	Tap bracket
6.8A	215465	A burner-cup
6.8SR	215466	SR burner-cup
6.9SR	068110001S	SR burner head
6.9A	068109001S	A burner head
6.10A	216129005A	A burner-cap
6.10SR	216130005A	SR burner-cap
6.12	101290	Injector - Ø 0.90 - AUX
=	101292	Injector - Ø 0.55 - AUX
=	101225	Injector - Ø 1.18 - SR
=	101293	Injector - Ø 0.72 - SR
6.14	053024.1	Elbow gasket
6.15	215469	Burner cup TR
6.17	101291	TR injector - Ø 1.70
=	101294	TR injector - Ø 1.02
6.19	029672	A inlet pipe
6.20	029677	SR inlet pipe left
6.21	029678	SR inlet pipe right
6.22	029675	TR inlet pipe
6.35	068115001S	TC burner head
6.36	216132005A	TC Burner-cap inside
6.37	216133005A	TC burner-cap outside
6.38	053078	Burner cup gasket
6.39	040064	Stopper
7.1	082070	4 Burners ignition coil
7.7	035094	Igniter spring
7.8	084028	Igniter - L = 250 mm
=	084029	Igniter - L = 630 mm
=	084033	TR - Igniter - L = 500 mm
7.18	103840	Ignition switches
7.19	035080	Spring
7.20	003039	Retaining ring
7.21	003038	Washer
-	1102478	Users operating instructions
-	1102502	Installation instructions