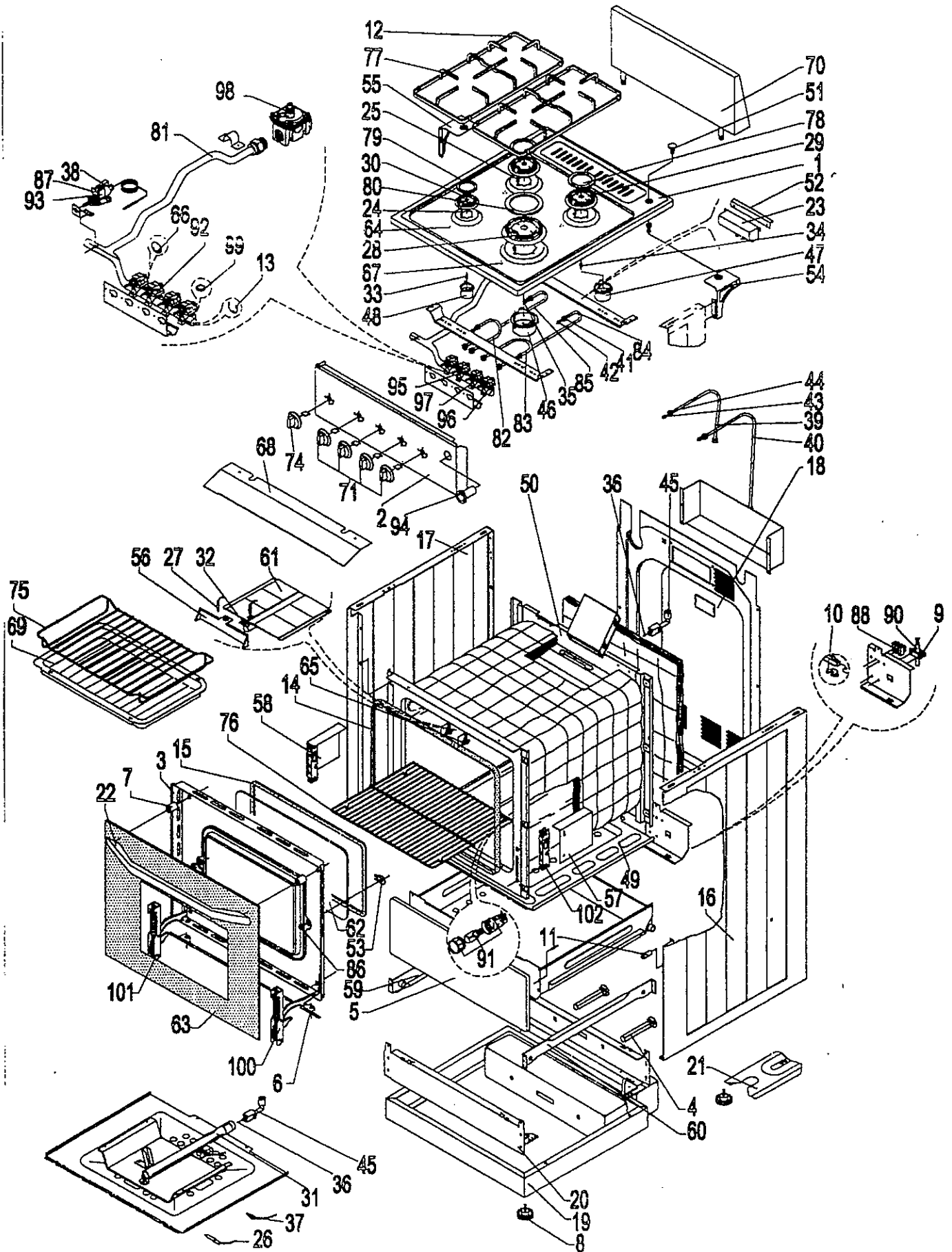


3. EXPLODED VIEWS and PARTS LIST

3.1. DGR210



DRW NO	SPARE PART CODE	DESCRIPTION	QUANTITY	
			USED IN PRODUCT	UNIT
1	01928E01	TFG 4G PLATE	1	pcs
2	02443S01	TFG21 AVANTI CONTROL PANEL	1	pcs
3	03049E11	TFG OVEN DOOR	1	pcs
4	03071001	WALL SUPPORT PART	2	pcs
5	03786H08	TFG WIDE TYPE DRAWER BODY,WHITE	1	pcs
6	04023T01	TFG LOWER STRIP FOR GLASS	1	pcs
7	05010104	TFG/TFB/TFA BUMPER FOR HANDLE	2	pcs
8	05040102	TFG/TFB/TFT LEVELING FOOT (BLACK)	4	pcs
9	05052506	STRAIN RELIEF	1	pcs
10	05052510	CABLE PROTECTOR	1	pcs
11	05072507	BUMPER FOR DRAWER (BLACK)	2	pcs
12	05072513	COOKING GRID PLUG	4	pcs
13	05081002	TOA4 HIGH FLAME SWITCH ELEMENT	4	pcs
14	05096115	TFG OVEN DOOR SEAL	1	pcs
15	05096118	INNER GLASS SEAL	1	pcs
16	07011T01	TFB-TFG OUTER CABINET RIGHT SIDE PANEL	1	pcs
17	07012T01	TFB-TFG OUTER CABINET LEFT SIDE PANEL	1	pcs
18	08099P	OUTER CABINET TOP REAR COVER	1	pcs
19	09766T01	TFG SUPPLEMENT BOTTOM PLINTH	1	pcs
20	09804T01	TFG/R BASEMENT REAR ELEMENT,T	2	pcs
21	10016P	ANTI-TIP BRACKET	1	pcs
22	10025T01	TFG/R ALUMINIUM HANDLE	1	pcs
23	10160404	IGNITER	1	pcs
24	10170157	SPARKING PLUG WITH CABLE,440MM	2	pcs
25	10170158	SPARKING PLUG WITH CABLE,200MM	2	pcs
26	10170206	SPARKING PLUG CABLE,1250MM	1	pcs
27	10170207	SPARKING PLUG CABLE,400MM — <i>Brill igniter</i>	1	pcs
28	11010156	RAPID BURNER UPPER PART (AESTHETIC/WITH IGNITER)	1	pcs
29	11010157	SEMI-RAPID BURNER UPPER PART (AESTHETIC/WITH IGNITER)	2	pcs
30	11010158	SIMMER BURNER UPPER PART (AESTHETIC/WITH IGNITER)	1	pcs
31	11010307	TFG/B/R21 OVEN BURNER(NEW)	1	pcs
32	11010310	TFG/B/R21 GRILL BURNER GROUP	1	pcs
33	11010401	M6*0.75-0.50 ORIFICE	1	pcs
34	11010402	M6*0.75-0.65 ORIFICE	2	pcs
35	11010410	M6*0.75-0.92 ORIFICE	1	pcs
36	11010423	M6*0.75-0.90 ORIFICE	2	pcs
37	11020728	TFR/B/G HEAT SENSOR (FOR GRILL AND OVEN BURNER)	1	pcs
38	11021306	SABAF MICROSWITCH OVEN GAS VALVE	1	pcs
39	11030405	TFG GRILL BURNER GAS DELIVERY TUBE	1	pcs
40	11030406	TFG OVEN BURNER GAS DELIVERY TUBE	1	pcs
41	11040503	MALE NUT	4	pcs
42	11040504	CLAMPING RING	4	pcs
43	11040507	CLAMPING RING (SABAF)	4	pcs
44	11040508	MALE NUT (SABAF)	2	pcs
45	11057132	OVEN BURNER ADAPTOR	2	pcs
46	11060140	RAPID BURNER LOWER PART,AESTHETIC	1	pcs
47	11061097	SEMI-RAPID BURNER LOWER PART,AESTHETIC	2	pcs

48	11062075	NEW AESTHETIC SIMMER BURNER LOWER PART	1	pcs
49	11273E11	TFG/B/R21 INNER OVEN BOTTOM COVER	1	pcs
50	11605E11	TFG21 INNER OVEN(WITH GRILL BURNER AND LAMB.)	1	pcs
51	12010N	PLASTIC STOPPER	4	pcs
52	12020P	TFG-TFB IGNITION SUPPORT ELEMENT	1	pcs
53	12070C	TFA-TFB INNER GLASS ASSEMBLY ELEMENT	2	pcs
54	12133T01	TFG-TFB RIGHT SUPPORTER PART FOR PLATE	1	pcs
55	12134T01	TFG-TFB LEFT SUPPORTER PART FOR PLATE	1	pcs
56	12259P	TFG/B/R21 GRILL BURNER HEAT PROTECTOR	1	pcs
57	12750H01	TFU HINGE BUSHING-PROTECTION COMPENENT,LEFT	1	pcs
58	12750H02	TFU HINGE BUSHING-PROTECTION COMPENENT,RIGHT	1	pcs
59	12756H05	TFG/TFB DRAWER GUIDE, LEFT (BLACK)	1	pcs
60	12756H06	TFG/TFB DRAWER GUIDE, RIGHT (BLACK)	1	pcs
61	12769K	NEW GRILL BRULOR ELEMENT	1	pcs
62	13010250	TFB/TFG/TFA INNER GLASS	1	pcs
63	13010733	TFG GLASS	1	pcs
64	14560101	CLIP	1	pcs
65	14560103	THERMOSTAT CLIP	2	pcs
66	14560106	MICRO SWITCH SPRING	4	pcs
67	14560107	SEGMENT OF SPARKING PLUG	3	pcs
68	15013T11	TFG HEAT PROTECTOR FOR GRILL	1	pcs
69	15032E11	TFL TRAY (NARROW)	1	pcs
70	15053S02	TFG21/TFG21-81 AVANTI SPLASH PROOF SHEET	1	pcs
71	16009S99	TFG KNOB,WHITE	4	pcs
72	16010974	TFG21USA AVANTI INSTRUCTION MANUAL	1	pcs
73	16011008	TFG/B AVANTI INSTRUCTION MANUAL	1	pcs
74	16018S16	TFG OVEN GAS VALVE KNOB,WHITE	1	pcs
75	17010104	TFL GRID	1	pcs
76	17010130	TFG INNER GRID	1	pcs
77	17020221	TFG COOKING GRID,DOUBLE	2	pcs
78	17098E11	SEMI-RAPID BURNER COVER (AESTHETIC)	2	pcs
79	17099E11	SIMMER BURNER COVER (AESTHETIC)	1	pcs
80	17107E11	RAPID BURNER COVER	1	pcs
81	17386N	TFG21 GAS DELIVERY TUBE	1	pcs
82	17635N	TFG LEFT FRONT BURNER GAS DELIVERY TUBE	1	pcs
83	17636N	TFG RIGHT FRONT BURNER GAS DELIVERY TUBE	1	pcs
84	17637N	TFG RIGHT REAR BURNER GAS DELIVERY TUBE	1	pcs
85	17638N	TFG LEFT REAR BURNER GAS DELIVERY TUBE	1	pcs
86	18010101	TFB-TFG WIRE RACK SYSTEM FIXING NUT	2	pcs
87	18010310	MICROSWITCH FITTING PART	1	pcs
88	18755H06	PLASTIC TERMINAL	1	pcs
89	25003H49	TFG21 USA TYPE WIRING TREE	1	pcs
90	60015408	POWER SUPPLY CORD	1	pcs
91	60050201	OVEN LAMP,T300,15W,120..130V	1	pcs
92	60064303	TOA41 MICROSWITCH	4	pcs
93	60064306	MICROSWITCH (SABAF)	1	pcs
94	60071401	TFG21 INNER ILLUMINATION BUTTON,PUSH ON-PUSH OFF	1	pcs
95	61020330	GAS VALVE FOR SIMMER BURNER	1	pcs
96	61020331	GAS VALVE FOR SEMI-RAPID BURNER	2	pcs
97	61020332	GAS VALVE FOR RAPID BURNER	1	pcs
98	61021104	TFG21 GAS REGULATOR	1	pcs

99	61040603	LOWER SEAL FOR GAS VALVE (TFG/B/S)	4	pcs
100	68020107	RIGHT HINGE	1	pcs
101	68020200	LEFT HINGE	1	pcs
102	68020300	HINGE BUSHING	2	pcs