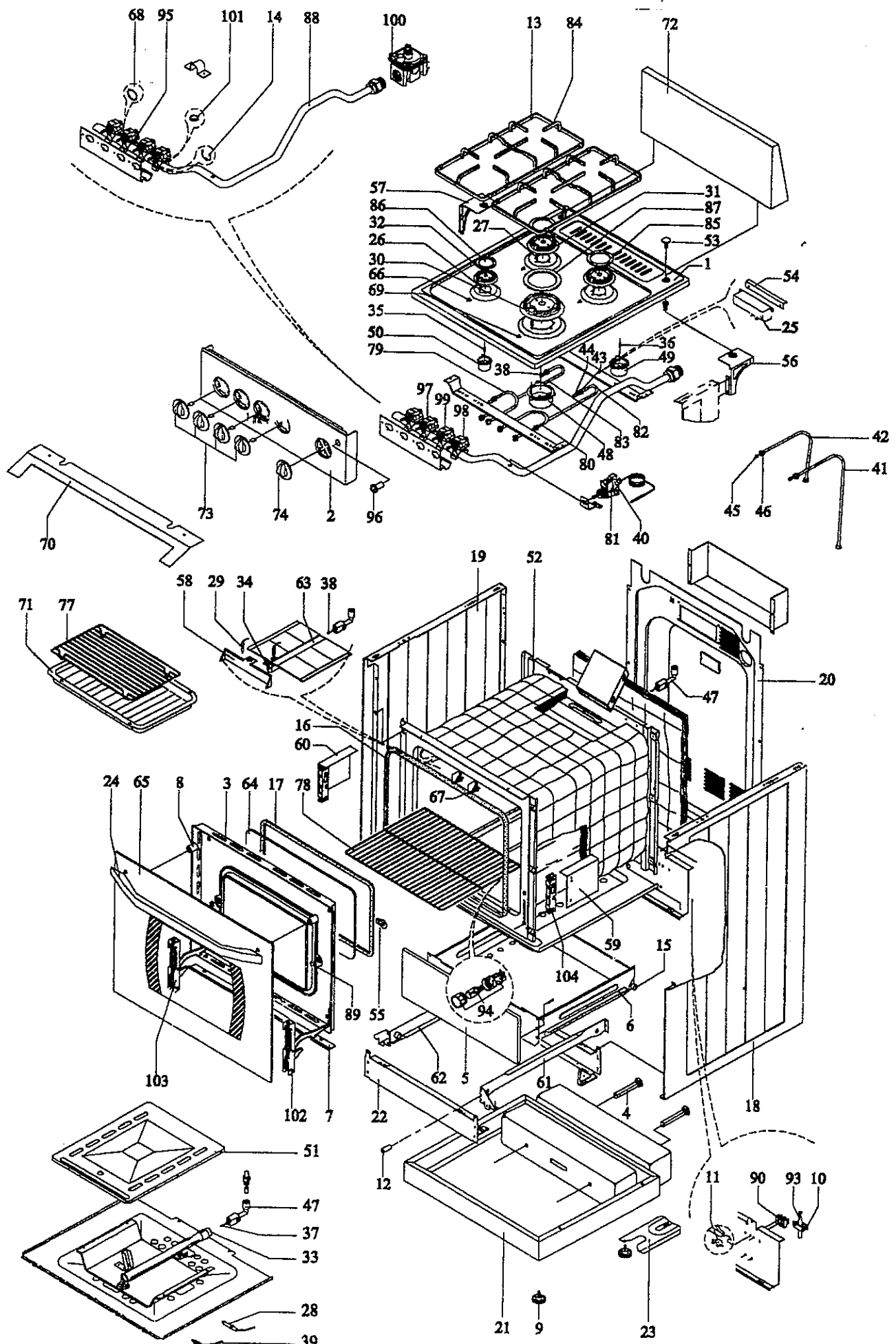


### 3.4. DGR240



|    |          |  |   |     |
|----|----------|--|---|-----|
| 48 | 11060140 | RAPID BURNER LOWER PART,AESTHETIC                | 1 | pcs |
| 49 | 11061097 | SEMI-RAPID BURNER LOWER PART,AESTHETIC           | 2 | pcs |
| 50 | 11062075 | NEW AESTHETIC SIMMER BURNER LOWER PART           | 1 | pcs |
| 51 | 11273E11 | TFG/B/R21 INNER OVEN BOTTOM COVER                | 1 | pcs |
| 52 | 11691E11 | TFB INNER OVEN                                   | 1 | pcs |
| 53 | 12010N   | PLASTIC STOPPER                                  | 4 | pcs |
| 54 | 12020P   | TFG-TFB IGNITION SUPPORT ELEMENT                 | 1 | pcs |
| 55 | 12070C   | TFA-TFB INNER GLASS ASSEMBLY ELEMENT             | 2 | pcs |
| 56 | 12133T01 | TFG-TFB RIGHT SUPPORTER PART FOR PLATE           | 1 | pcs |
| 57 | 12134T01 | TFG-TFB LEFT SUPPORTER PART FOR PLATE            | 1 | pcs |
| 58 | 12259P   | TFG/B/R21 GRILL BURNER HEAT PROTECTOR            | 1 | pcs |
| 59 | 12278P   | TFA/B/G/U HINGE SUPPORT ELEMENT,RIGHT            | 1 | pcs |
| 60 | 12279P   | TFA/B/G/U HINGE SUPPORT ELEMENT,LEFT             | 1 | pcs |
| 61 | 12756H07 | TFB DRAWER GUIDE WITH CONSOLE                    | 1 | pcs |
| 62 | 12756H08 | TFB DRAWER GUIDE,LEFT WITH CONSOLE               | 1 | pcs |
| 63 | 12769K   | NEW GRILL BRULOR ELEMENT                         | 1 | pcs |
| 64 | 13010250 | TFB/TFG/TFA INNER GLASS                          | 1 | pcs |
| 65 | 13010824 | TFB GLASS  | 1 | pcs |
| 66 | 14560101 | CLIP   | 1 | pcs |
| 67 | 14560103 | THERMOSTAT CLIP                                  | 2 | pcs |
| 68 | 14560106 | MICRO SWITCH SPRING                              | 4 | pcs |
| 69 | 14560107 | SEGMENT OF SPARKING PLUG                         | 3 | pcs |
| 70 | 15014T11 | TFB HEAT PROTECTOR FOR GRILL                     | 1 | pcs |
| 71 | 15032E11 | TFL TRAY (NARROW)                                | 1 | pcs |
| 72 | 15081S01 | TFB21USA01/02 AVANTI SPLASH PROOF SHEET          | 1 | pcs |
| 73 | 16008S24 | TFB GAS VALVE KNOB,WHITE                         | 4 | pcs |
| 74 | 16008S26 | TFB OVEN KNOB,WHITE                              | 1 | pcs |
| 75 | 16010904 | TFB21USA AVANTI INSTRUCTION MANUAL               | 1 | pcs |
| 76 | 16011008 | TFG/B AVANTI INSTRUCTION MANUAL                  | 1 | pcs |
| 77 | 17010104 | TFL GRID   | 1 | pcs |
| 78 | 17010131 | TFB INNER GRID                                   | 1 | pcs |
| 79 | 17014N   | TFB LEFT FRONT BURNER GAS TUBE                   | 1 | pcs |
| 80 | 17015N   | TFB RIGHT FRONT BURNER GAS TUBE                  | 1 | pcs |
| 81 | 17798H04 | MICROSWITCH SUPPORT PART                         | 1 | pcs |
| 82 | 17016N   | TFB RIGHT REAR BURNER GAS TUBE                   | 1 | pcs |
| 83 | 17017N   | TFB LEFT REAR BURNER GAS TUBE                    | 1 | pcs |
| 84 | 17020220 | TFB GRID   | 2 | pcs |
| 85 | 17098E11 | SEMI-RAPID BURNER COVER (AESTHETIC)              | 2 | pcs |
| 86 | 17099E11 | SIMMER BURNER COVER (AESTHETIC)                  | 1 | pcs |
| 87 | 17107E11 | RAPID BURNER COVER                               | 1 | pcs |
| 88 | 17327N   | TFB21 16/1 MANIFOLD PIPE                         | 1 | pcs |
| 89 | 18010101 | TFB-TFG WIRE RACK SYSTEM FIXING NUT              | 2 | pcs |
| 90 | 18755H02 | TERMINAL BLOCK (1000 DS13)                       | 1 | pcs |
| 91 | 23424S10 | TFB21USA02 AVANTI BOX                            | 1 | pcs |
| 92 | 25002H80 | TFB21 USA TYPE WIRING TREE                       | 1 | pcs |
| 93 | 60015408 | POWER SUPPLY CORD                                | 1 | pcs |
| 94 | 60050201 | OVEN LAMP,T300,15W,120..130V                     | 1 | pcs |
| 95 | 60064303 | TOA41 MICROSWITCH                                | 4 | pcs |
| 96 | 60071401 | TFG21 INNER ILLUMINATION BUTTON,PUSH ON-PUSH OFF | 1 | pcs |
| 97 | 61020330 | GAS VALVE FOR SIMMER BURNER                      | 1 | pcs |
| 98 | 61020331 | GAS VALVE FOR SEMI-RAPID BURNER                  | 2 | pcs |

|     |          |                                    |   |     |
|-----|----------|------------------------------------|---|-----|
| 99  | 61020332 | GAS VALVE FOR RAPID BURNER         | 1 | pcs |
| 100 | 61021104 | TFG21 GAS REGULATOR                | 1 | pcs |
| 101 | 61040603 | LOWER SEAL FOR GAS VALVE (TFG/B/S) | 4 | pcs |
| 102 | 68020107 | RIGHT HINGE                        | 1 | pcs |
| 103 | 68020200 | LEFT HINGE                         | 1 | pcs |
| 104 | 68020300 | HINGE BUSHING                      | 2 | pcs |