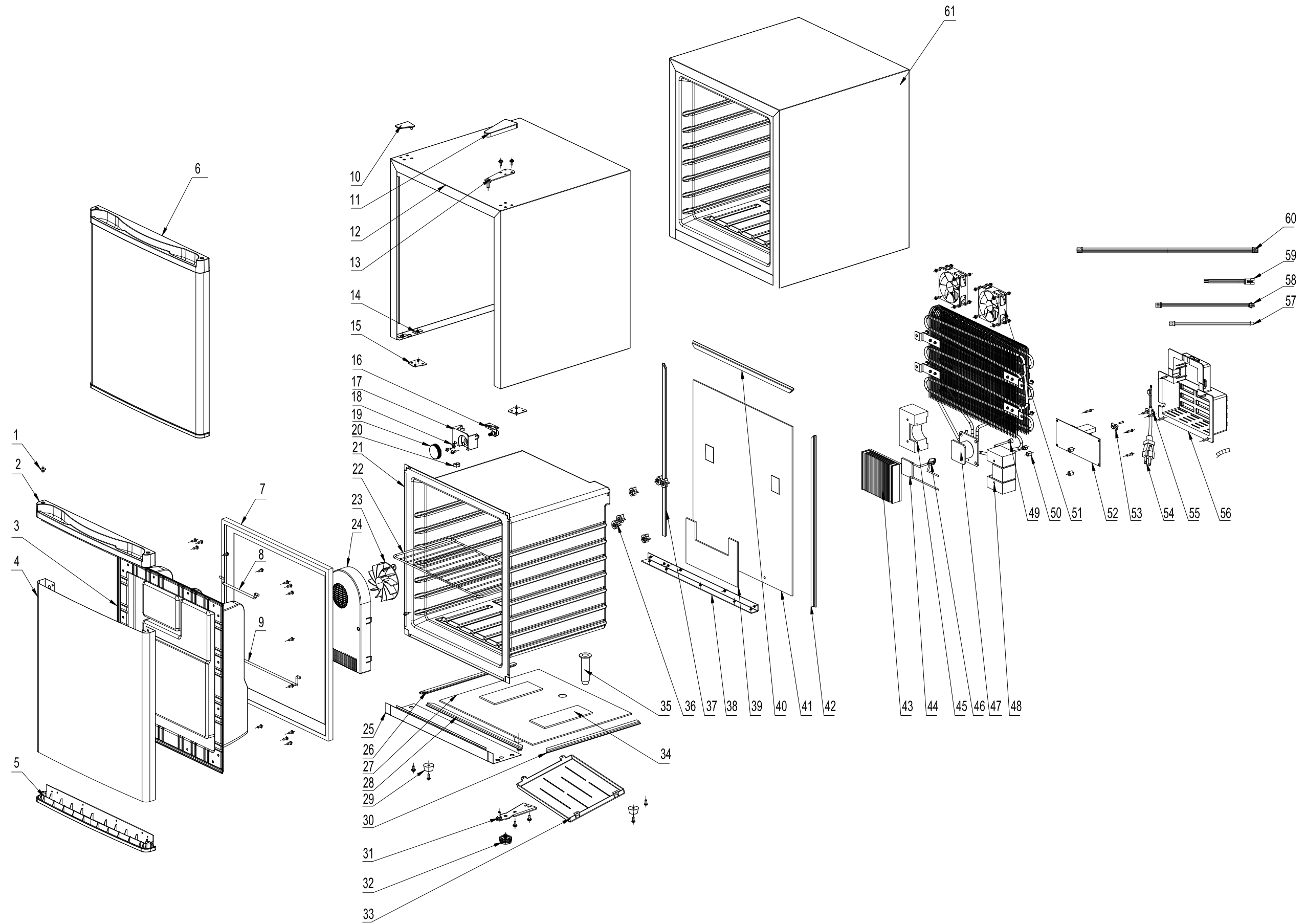


EC149W Exploded View



EC149W Parts List

No.	Part No.	Description	Q'ty
1	KC40A-10-03	Cap	1
2	KC40A-10-01	Top Trim	1
3	KC40A-10-04	Door Liner	1
4	KC40A-20-06	Door Plate	1
5	KC40A-10-21	Bottom Trim	1
6		Door foam	1
7	KC40A-80-08	Door Gasket	1
8	KC40A-80-04	Upper rack	1
9	KC40A-80-05	Bottom rack	1
10	KC40A-10-10	Hole cover	1
11	KC40A-10-11	Upper hinge cover	1
12	KC40A-20-01	Enclosure	1
13	KC40A-80-01	Upper hinge	1
14	TR21-20-02	M5 nut plate	8
15	KC40A-20-04	Strengthen iron	2
16	KC40A-60-03	Potentiometer	1
17	KC40A-10-07	Control box	1
18		Nut	1
19	KC40A-10-08	Control knob	1
20	KC40A-10-09	Light cover	1
21	KC40A-10-05	Cabinet Liner	1
22	KC40A-80-03	Shelf	1
23	KC40A-60-07	Centrifugal Fan	1
24	KC40A-10-06	Fan Cover	1
25	KC40A-20-07	Bottom strip	1
26	KC40A-10-18	Bottom strip left	1
27	KC40A-80-07	Bottom plate	1
28	KC40A-10-20	Bottom strip	1
29	KC40A-40-01	Feet	3
30	KC40A-10-19	Bottom strip right	1
31	KC40A-80-02	Bottom hinge	1
32	KC40A-80-16	Low feet	1
33	KC40A-10-13	Water Drip Tray	1
34	KC40A-10-21	Water drip tray support	2
35	KW35A-10-05	Pipe	1
36	TR21-10-16	Nut	6
37	KC40A-10-14	Left strip	1
38	KC40A-20-05	Connection bar	1
39	KC40A-10-16	ABS board	1
40	KC40A-10-17	Upper strip	1
41	KC40A-80-06	Back plate	1
42	KC40A-10-15	Right strip	1
43	KC40A-30-02	Cooling Aluminum	1
44	KC40A-60-06	Thermoelectric chip	1
45	KC40A-80-13	Foam A	1
46	TR21-60-08	Temperature Sensor	1
47	KC40A-30-01	Heat pipe	1
48	KC40A-80-14	Foam B	1
49	TR21-10-19	Heat insulation cover	4
50	TR21-10-17	Fix cover	6
51	KC40A-60-08	Propeller	2
52	KC40A-60-02	PCB	1
53	TR21-60-09	Fixing seat	1
54	KC40A-60-12	Power cord	1
55	KC40A-80-15	Clip	1
56	KC40A-10-12	Electric box	1
57	KC40A-60-04	Wiring	2
58	KC40A-60-09	Wiring 1	1
59	KC40A-60-10	Wiring 2	1
60	KC40A-60-05	Wiring	1
61		Cabinet Liner	