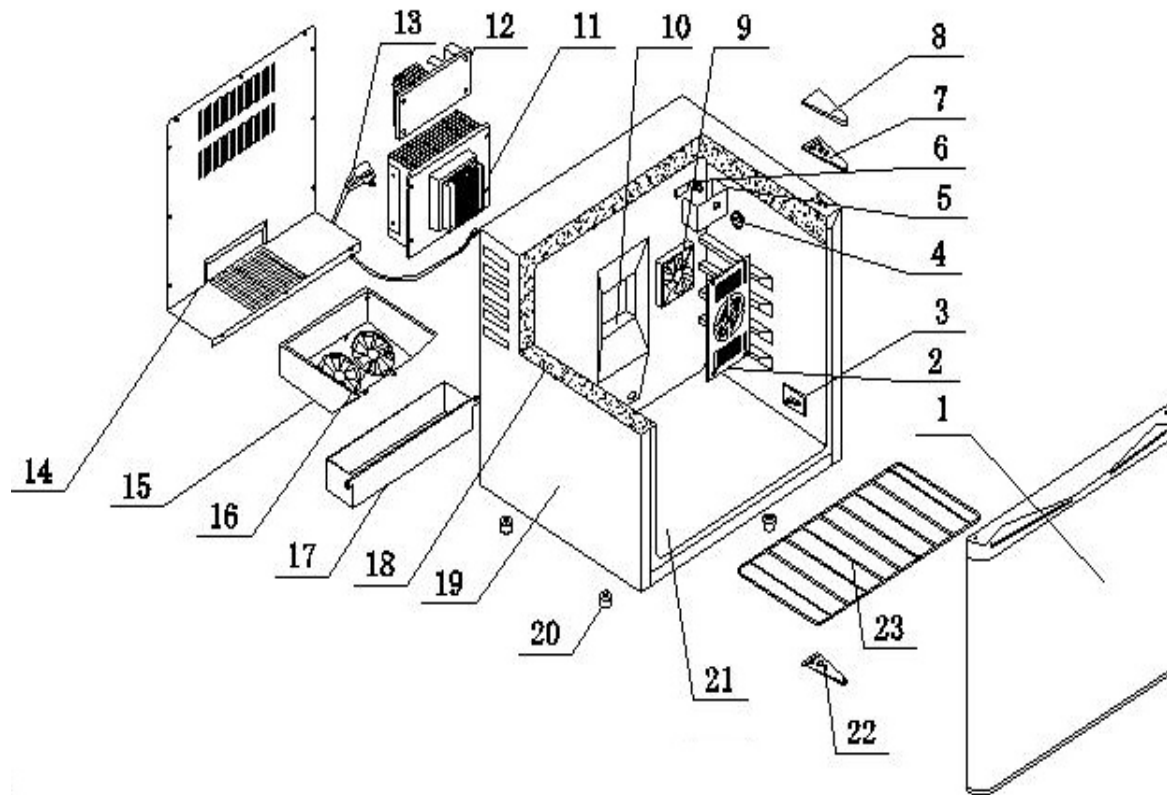


EC15W-2 Exploded View



EC15W-2 Parts List

No.	Parts No.	Description	Q'ty
1	EC15W-2-1	Door	1
2	EC15W-2-2	Inside Fan Cover	1
3	EC15W-2-3	Door Switch	1
4	EC15W-2-4	Temp. Control Knob	1
5	EC15W-2-5	Temp. Control Box/Light	1
6	EC15W-2-6	Temp. Controller/PCB	1
7	EC15W-2-7	Door Upper Hinge	1
8	EC15W-2-8	Hinge Cover	1
9	EC15W-2-9	Inside Fan Motor	1
10	EC15W-2-10	Middle Case	1
11	EC15W-2-11	Cooling System	1
12	EC15W-2-12	Main PCB	1
13	EC15W-2-13	Power Supply Cord	1
14	EC15W-2-14	Back Cover	1
15	EC15W-2-15	Outside Fan Cover	1
16	EC15W-2-16	Outside Fan Motor	2
17	EC15W-2-17	Water Drip Tray	1
18	EC15W-2-18	Insulation	1
19	EC15W-2-19	Cabinet	1
20	EC15W-2-20	Foot	4
21	EC15W-2-21	Inner Cabinet	1
22	EC15W-2-22	Door Lower Hinge	1
23	EC15W-2-23	Shelf	1
24	EC15W-2-24	Small Door Bar Shelf	1
25	EC15W-2-25	Large Door Bar Shelf	1