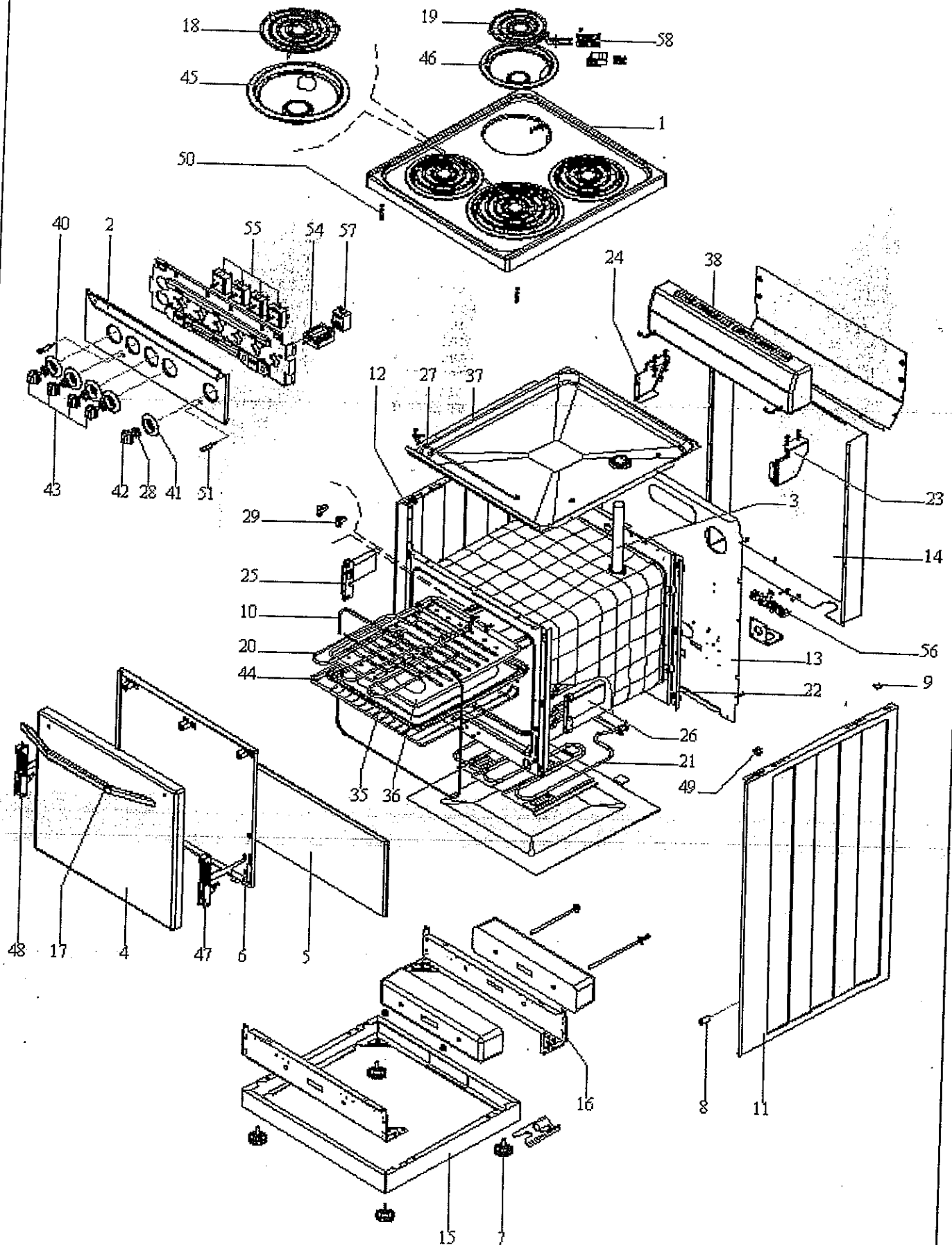


3.2. ER20 AW



## Spare Part List

Customer :AVANTI  
 Customer Product Code :ER20 AW  
 Product Code :TFG18USA01  
 Description  
 Exploded Drawing No :TFG18USA01  
 Revision

No	Code	Description	Unit	Quantity
1	01544E01	TFG PLATE WITH 4 BURNERS	PCS	1
2	02561S01	TFG18USA01 AVANTI CONTROL PANEL WITH LOWER PART	PCS	1
3	03021105	TFG18 EXHAUST	PCS	1
4	03089T01	TFG/U OVEN DOOR	PCS	1
5	03093T01	TFG WIDE TYPE DRAWER COVER	PCS	1
6	03793E11	TFG/U OVEN DOOR	PCS	1
7	05040102	TFG/TFB\TFT LEVELING FOOT (BLACK)	PCS	4
8	05072507	BUMPER FOR DRAWER (BLACK)	PCS	4
9	05072521	TFG/B18 BUMPER FOR PLATE	PCS	2
10	05096115	TFG OVEN DOOR SEAL	PCS	1
11	07048T01	TFU CABINET RIGHT SIDE PANEL WITHOUT COOKTOP COVER	PCS	1
12	07049T01	TFU CABINET LEFT SIDE PANEL WITHOUT COOKTOP COVER	PCS	1
13	08119P	TFG18 INNER BACK COVER	PCS	1
14	08120P	TFG18 OUTER CABINET BACK COVER	PCS	1
15	09766T01	TFG SUPPLEMENT BOTTOM BASE	PCS	1
16	09804T01	TFG/R BASEMENT REAR ELEMENT, T	PCS	2
17	10025T01	TFG/R ALUMINUM HANDLE	PCS	1
18	10110530	DIA.180 BURNER 208/240V, 1580/2100W	PCS	1
19	10110531	DIA.145 BURNER 208/240V, 940/1250W	PCS	3
20	10110532	USA TYPE GRILLE TUBE HEATER, 240V 2300W	PCS	1
21	10110533	USA TYPE LOWER TUBE HEATER, 240V 2000W	PCS	1
22	11549E11	TFG18 INNER OVEN	PCS	1
23	12350T01	TFG/B18 RIGHT CONSOLE	PCS	1
24	12351T01	TFG/B18 LEFT CONSOLE	PCS	1
25	12750H01	TFU HINGE BUSHING-PROTECTION COMPONENT, LEFT	PCS	1
26	12750H02	TFU HINGE BUSHING-PROTECTION COMPONENT, RIGHT	PCS	1
27	14030202	TFG/B18 PLATE SUPPORTING BAR	PCS	1
28	14520105	TFG/B/A KNOB SPRING	PCS	5
29	14560103	THERMOSTAT CLIP	PCS	2
30	15050350	TFB/G SPLASH PANEL FRONT STYROFOAM	PCS	1
31	15050354	TFB/G LEFT FRONT STYROFOAM	PCS	1
32	15050359	TFG PLATE STYROFOAM	PCS	1
33	15050368	TFB/TFG18 RIGHT BACK STYROFOAM	PCS	1
34	15050369	TFB/TFG18 LEFT BACK STYROFOAM	PCS	1
35	15051E11	TFG/B OUTER TRAY	PCS	1
36	15062E11	TFG/B/A INNER TRAY	PCS	1
37	15092E11	TFG18 SPLASH TRAY	PCS	1
38	15760S01	TFG18 AVANTI SPLASH PANEL	PCS	1
39	16011125	TFG18 AVANTI INSTRUCTION MANUAL	PCS	1
40	16041S75	TFG/B LOWER PART OF BURNER KNOB, WHITE	PCS	4
41	16041S76	TFB/G LOWER PART OF FUNCTION KNOB	PCS	1
42	16099H21	TFA/B/G OVEN SWITCH KNOB WITH SEGMENT (PROFILE Z TYPE, WHITE)	PCS	1
43	16099H22	TFA/B/G BURNER/TIMER SWITCH KNOB WITH SEGMENT	PCS	4
44	17010142	TFG INNER GRID	PCS	1
45	18009P	8" REFLECTOR BOWL	PCS	1
46	18010P	6" REFLECTOR BOWL	PCS	3
47	18020106	TFG/R/U OVEN DOOR HINGE, RIGHT	PCS	1
48	18020206	TFG/R/U OVEN DOOR HINGE, LEFT	PCS	1
49	18020211	TFG/B18 PLATE HINGE	PCS	2
50	18020212	TFG/B18 PLATE LOCK PIN	PCS	1
51	20042H	T-120 SIGNAL LAMP	PCS	2
52	23389S01	TFG18DEN01 AVANTI BOX	PCS	1
53	27002H50	TFG18 USA CABLE GROUP	PCS	1
54	60060332	OVEN SWITCH 250V T150	PCS	1
55	60064414	SWITCH 240V\13A\	PCS	4
56	60093605	USA TYPE TERMINAL BOX	PCS	1
57	60120913	THERMOSTAT	PCS	1
58	60140407	USA TYPE BURNER CONNECTOR CLIPS	PCS	4