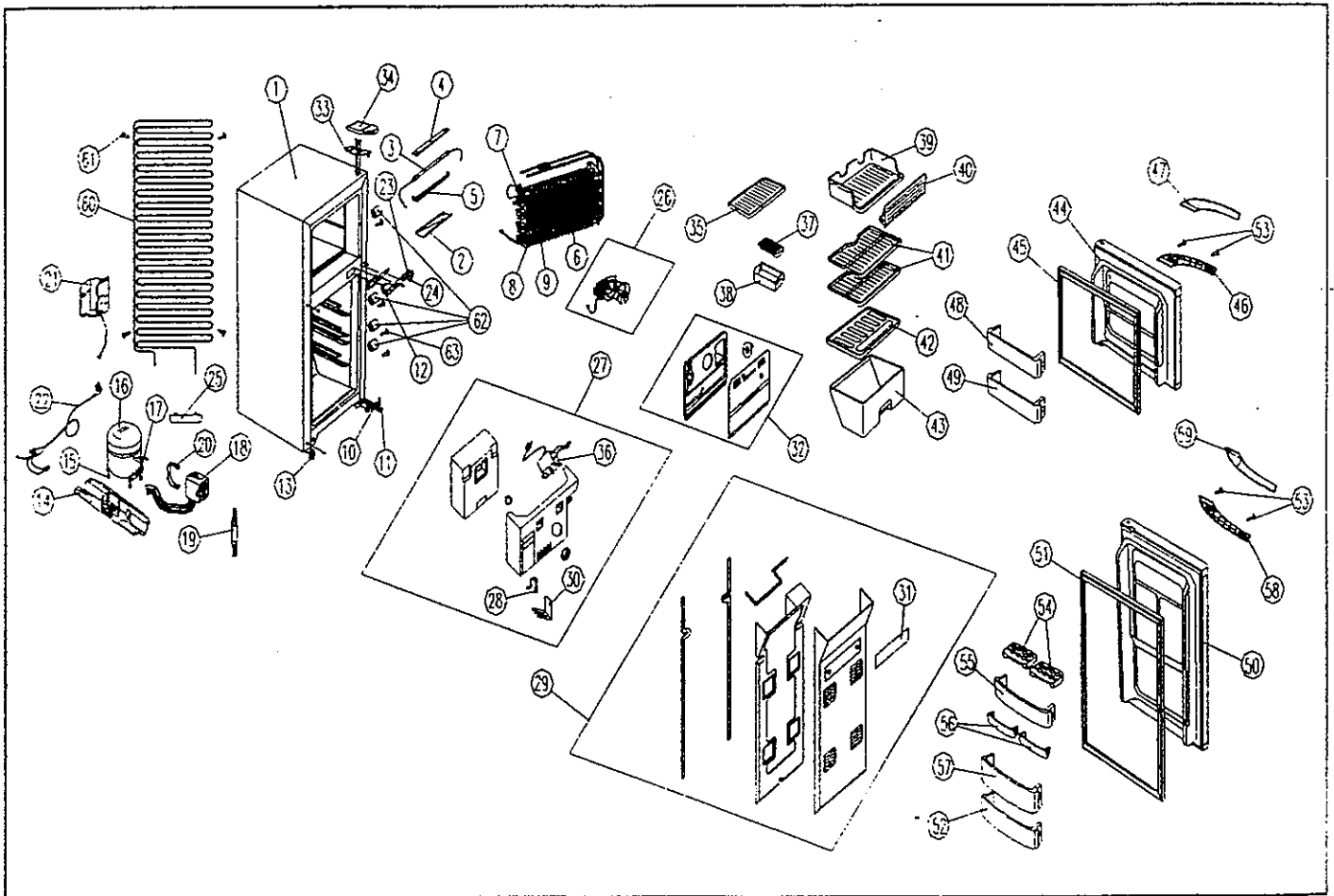


# FF100

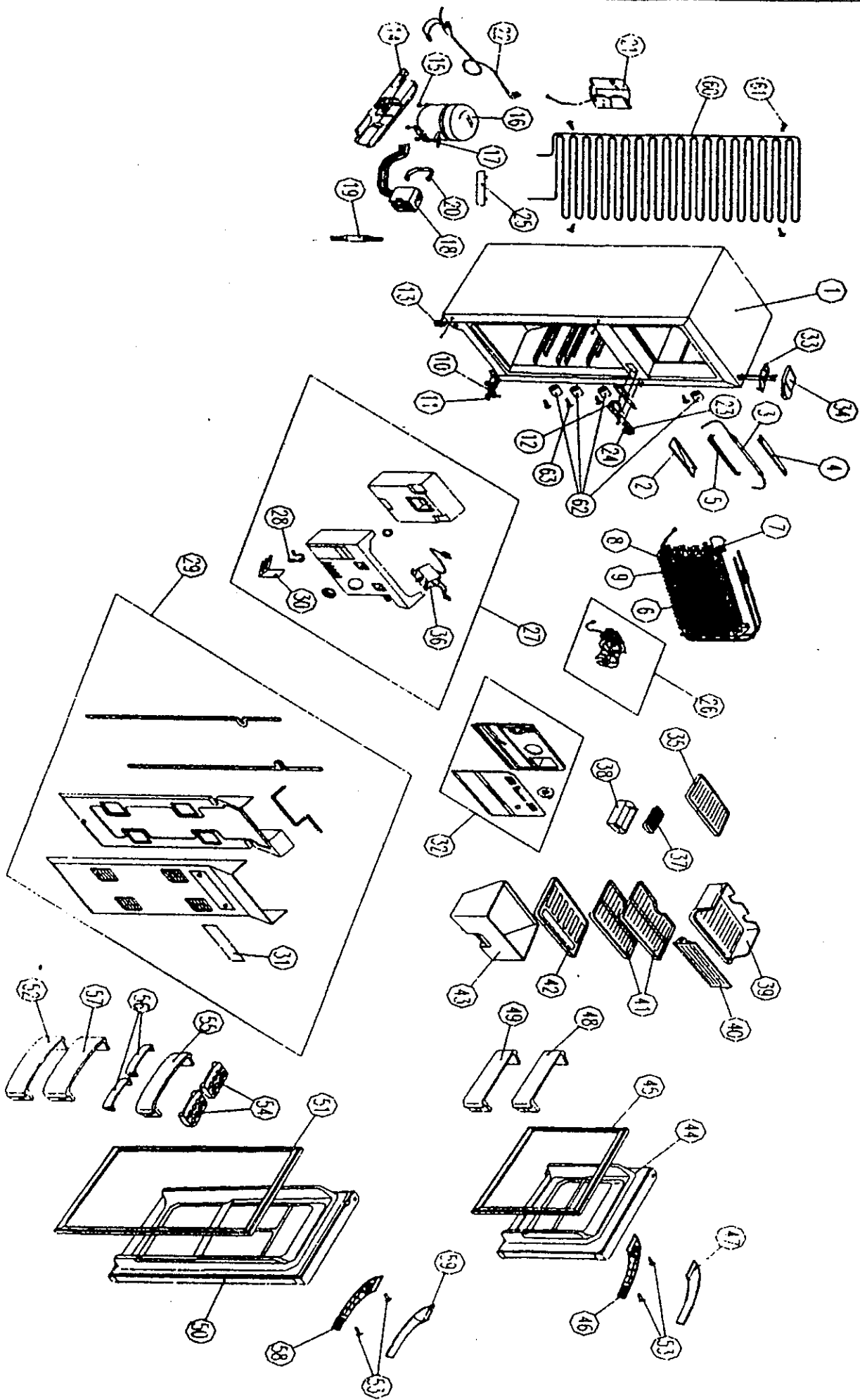
## 6. EXPLODE VIEW AND PARTS LIST

### 1. Expoloded views

U.S.A (AVANTI , FF100)



1. Exploded views



U.S.A (AVANTI, FF100)

## 2) PARTS LIST

### U.S.A (AVANTI , FF100)

NO	PART CODE	PART NAME	DESCRIPTION	Q'TY	REMARK
1	-	ASSY CAB URT	HCFC-141B	1	
2	4019R54111	GUIDE DRN	AL	1	
3	400EL22321	HEATER GLAS AS	110V , 150W	1	
4	4019R73571	COVER DEFR HTR *T	GALVANIED	1	
5	4019R73581	COVER DEFR HTR *U	GALVANIED	1	
6	4019R03208	EVAPPORATOR AS		1	NO ACCUM
7	3018100603	SWITCH BIMTL AS	110V,220V,UL	1	
8	4019H23015	FUSE TEMP AS		1	
9	4017Z90590	FIXTURE FUSE TEMP	PP	1	
10	3012906701	HINGE *U AS	P/O T3.2 ZN-COATING	1	
11	3016000600	SPECIAL BOLT	M6 X 20	3	
12	3011721300	SWITCH DR AS	1 BUTTON	1	
13	3012101300	ADJ FOOT AS		2	
14	3010302311	BASE COMP AS		1	
15	3010100201	ABSORBER COMP	NR H=40	4	
16	3953152D10	COMPRESSOR	MK152C-L1U	1	
17	4019H09030	SPECIAL WASHER	SWRH	4	
18	3018123800	SWITCH P RELAY AS	412PHBYY-53,UL	1	
19	3016801112	DRYER AS	HCFC 15G	1	
20	3816100700	RELAY BAND	PTC TYPE	1	
21	3010519051	BOX POWER AS	R/C 250VAC/8MF	1	
22	3011301713	POWER CORD AS	KP-30,UL	1	
23	3012906300	HINGE *M AS		1	
24	3016004000	SPECIAL BOLT	M6XL10 SWCH22A	2	
25	3011161210	CASE VAPORI	PP V451(UL)	1	
26	3011833500	FAN MOTOR ASS	23211DW18AB	1	
27	3010530450	ASSY R CONTL BOX	UL,LAMP STICKER	1	
28	3013600050	LAMP AS	120V/15W	1	
29	3010008502	DUCT M/F AS		1	
30	4017Z87570	SHADE R	HC-2	1	
31	4010C75252	LABEL DUCT	PC	1	
32	3018913600	LOUVER F AS		1	
33	3012914500	HINGE *T AS		1	
34	3014558300	COVER *T HI	PP	1	
35	3017800305	SHELF F	GPPS	1	
36	3018301320	THERMOSTAT	PFN-175D-01U	1	
37	4010G56012	CASE ICING	PP(J-360)	1	
38	4017Z99112	CASE ICE	HC-2	1	
39	4019R30133	CASE CHILD	GPPS	1	
40	4019R30143	DOOR CHILD	GPPS	1	

15

2

10

15

15

10

30

10

20

20

10

5

20

20

20

(3)

20

5

3

15

15

30

15

15

15

15

400E 322321

NO	PART CODE	PART NAME	DESCRIPTION	Q'TY	REMARK
41	4010R55212	SHELF R	GPPS	2	
42	4019R30824	COVER V/CASE	GPPS	1	
43	4019R30812	CASE VEGTB	GPPS	1	
44	-	ASSY F DOOR URT	HCFC-141B	1	
45	3012309910	GASKET F DR AS	PVC-S	1	
46	3012624000	HANDLE F A	ABS	1	A TYPE
47	3011610810	DECO F HNDL AS		1	A TYPE
48	3019015700	POCKET F *T	GPPS	1	
49	3019015800	POCKET F *U	GPPS	1	
50	-	ASSY R DOOR URT	HCFC-141B	1	
51	3012310010	GASKET R DR AS	PVC-S	1	
52	3019016200	POCKET SM	GPPS	1	
53	7002501611	SCREW MACHINE	TRS 5X16 MFZN	4	
54	3011165700	CASE EGG	GPPS	2	
55	3019015900	POCKET EGG	GPPS	1	
56	3019016000	POCKET MULT	GPPS	2	
57	3019016100	POCKET BOTL	GPPS	1	
58	3012624200	HANDLE R A	ABS	1	A TYPE
59	3011611110	DECO F HNDL AS		1	A TYPE
60	3014443500	PIPE WI-CON AS	FR-330	1	
61	7112401211	SCREW TAPPING	T1 TRS 4X12 MFZN	4	
62	3015200000	STOPPER SHELF	PP(J360)	4	
63	7112401411	SCREW TAPPING	T1 TRS 4X14 MFZN	4	

15  
15  
15  
5  
5  
20  
20  
15  
15  
5  
5  
15  
20  
10  
10  
10  
20  
20