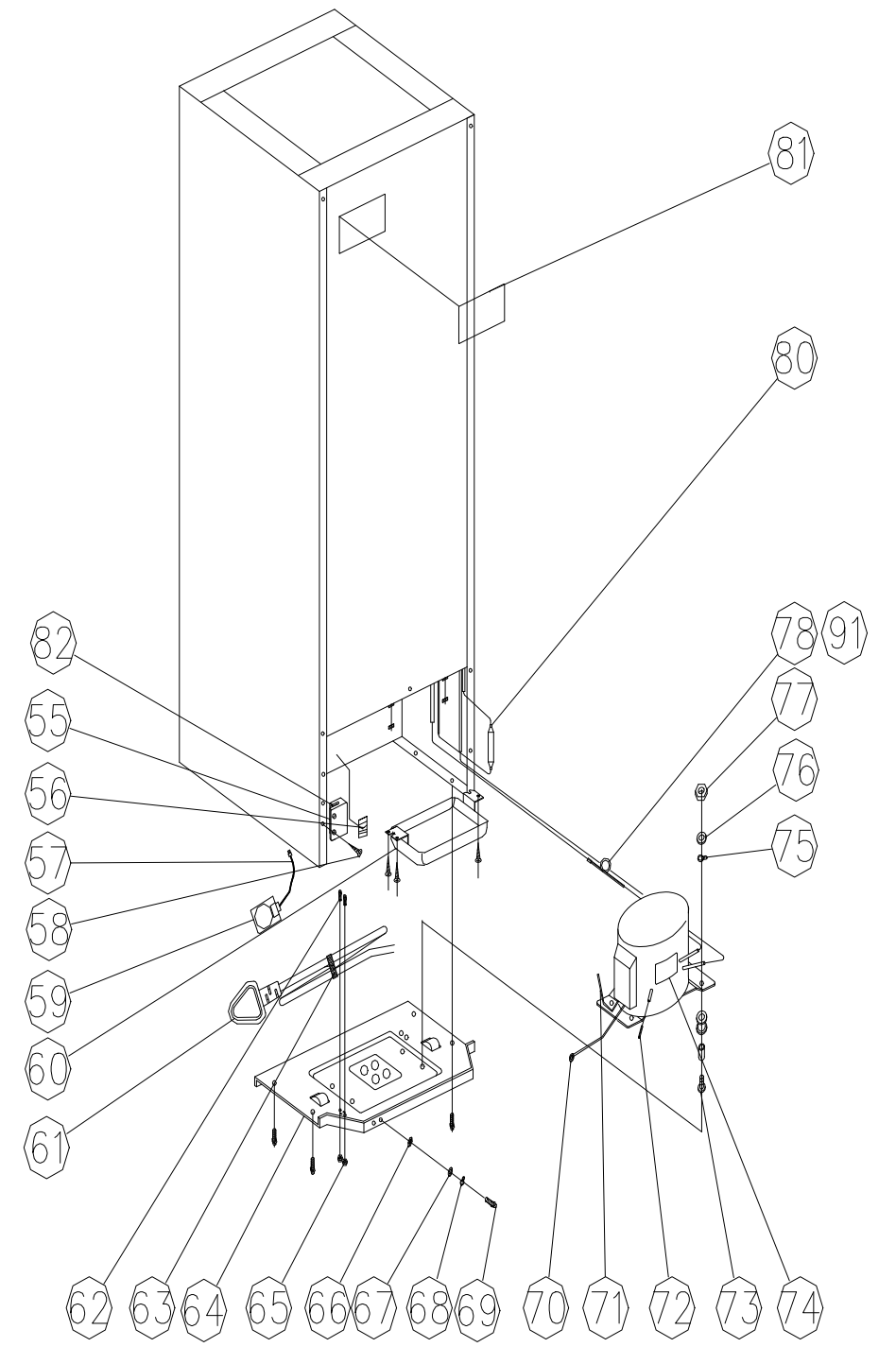
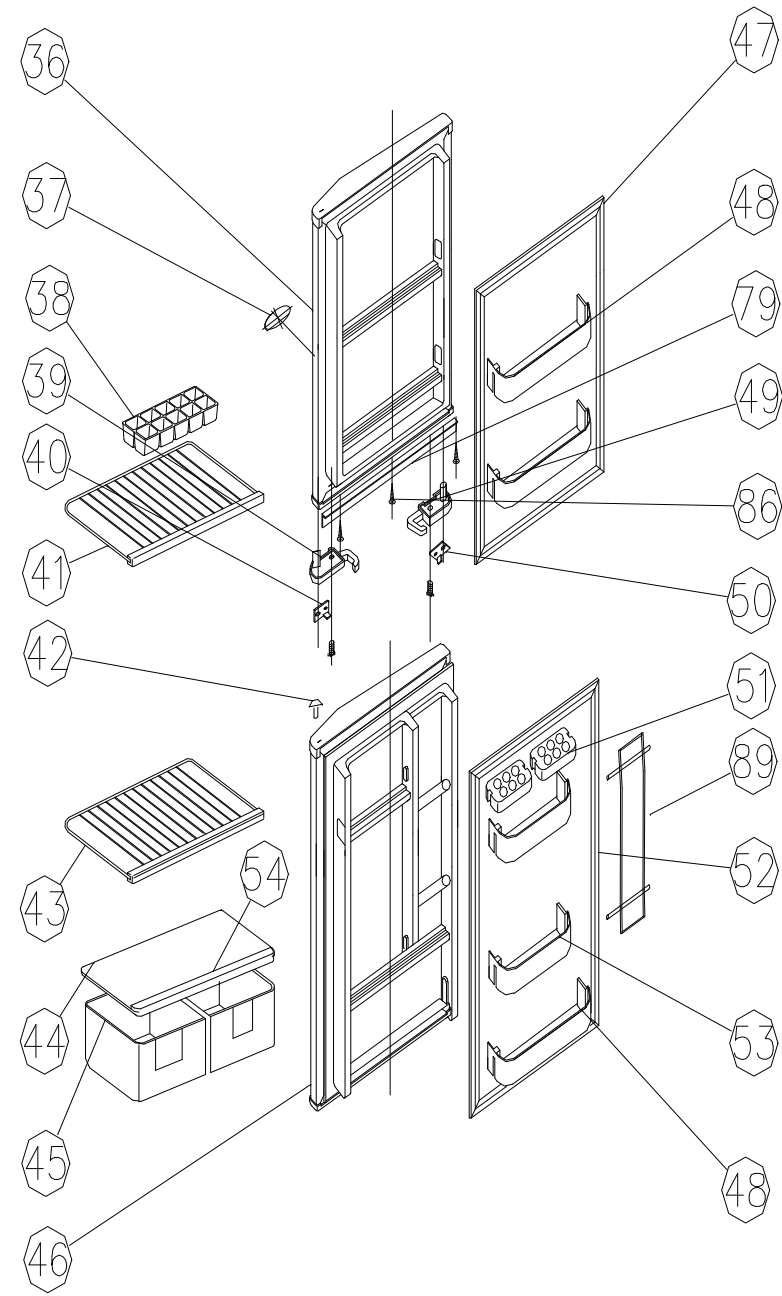
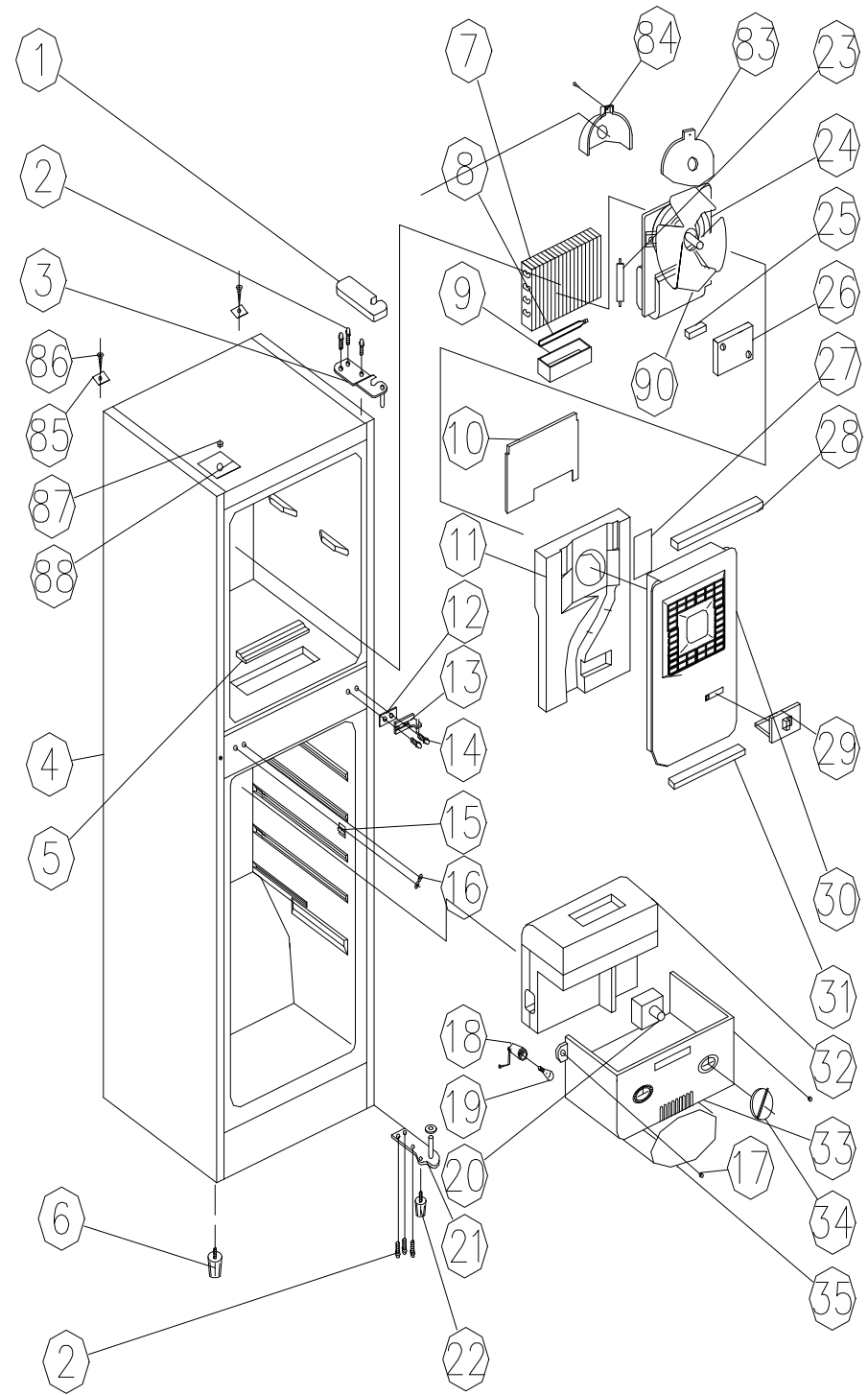


# FF1008 FF1009 exploded view



## FF1008 FF1009 parts list

No	Part No	Part name	Quantity
1	9210200294	Upper hinge cover	1
2	1701184	Flange screw M5x20	6
3	9120400231	Upper hinge parts	1
4	9100100296	Cabinet	1
5	9210200302	Air return cover of freezer chamber	1
6	11041	High front leg	1
7	9130100212	Evaporator	1
8	140499	Anti-explosion heating tube for defrosting	1
9	9110600117	water trough	1
10	9260100167	Reflecting aluminum foil	1
11	9101200198	Wind channel foam of freezer chamber	1
12	1107448	Mid-Hinge bottom plate	1
13	9120400233	Mid-hinge	1
14	1701164	Flange screw M5x30	2
15	1410108	Lamp switch	1
16	2109230	Mid-hinge hole cover	4
17	1701134	Screw cap	2
18	141248	Anti-explosion lamp holder assembly	1
19	141256	Bulb	1
20	1401230	Temperature control	1
21	9120400234	Lower hinge assembly	1
22	11042	Short front leg	1
23	1411328	Temperature fuse unit assembly	1
24	1402136	Fan motor parts	1
25	1411329	Defrosting thermostat	1
26	9210200298	Connecting wire box cover	1
27	2502139	Reversible glue	3
28	1603440	Sponge glue stripe D	1
29	9121000111	Temperature regulating guiding block	1
30	9101200197	Wind patch cover in freezer chamber	1
31	1603438	Sponge glue stripe B	1
32	9101200199	Wind channel of refrigerator	1
33	9140800169	Control panel in refrigerator chamber	1
34	9141000133	Temperature control knob	1
35	9210700172	Lamp cover	1
36	9100500477	Upper door	1
37	9190100247	Trade mark	1
38	210330	Ice tray	1
39	120512	Door stopper	1
40	1203140	Keeper	1
41	9210500394	Metal shelves parts in freezer chamber	1
42	120286	Collapsible	1
43	9210500387	Metal shelves parts in refrigerator chamber	2
44	9210500380	Glass board	1

45	9210100117	Vegetable drawer	2
46	9100500476	Lower door	1
47	9160100219	Upper door liner	1
48	9210500369	Shelf for upper door	3
49	120515	Left door stopper	1
50	1109263	Left keeper	1
51	21049	Small eggs tray	2
52	9160100220	Lower door liner	1
53	9210500370	Shelf for lower door	2
54	9110300220	Decoration bar	1
55	9210200364	Timer setting box	1
56	21093	Keeping water cover	1
57	1501678	Connecting wire	1
58	1701131	Screw nail	2
59	1411303	Timer for defrosting	1
60	9110600134	Water disposal box	1
61	1501275	Cable with American plug	1
62	170261	Screw bolt M6 x 16	4
63	9170700082	Plastic auto-lock bandage	1
64	9110800146	Compressor base	1
65	170355	Screw nut M6	4
66	170414	Round-pad 5	3
67	9170400100	Round-pad 5	3
68	17037	Screw nut M5	3
69	170110	Screw M5 x 14	3
70	1501182	Compressor grounding wire	1
71	1501126	Compressor connecting wire	1
72	9130302284	Process tube	2
73	17023	Screw bolt M6 x 30	4
74		Compressor	1
75	17042	Round-pad 6	4
76	17044	Round-pad 6	4
77	170355	Screw nut M6	4
78	9130301444	Connecting tube	1
79	9160200133	Airproof sticking piece	1
80	13067	Drier filter	1
81	9190200371	Electrical diagram	1
82	9101300683	Timer setting box cover	1
83	2107109	Fan motor front cover	1
84	2107108	Fan motor back cover	1
85	9210200405	Back corner cover	2
86	170113	Screw nail	5
87	9210200411	Mid-hinge hole cover	1
88	9210200404	Screw cap	1
89	9210500382	Beverage bottle bracket	1
90	14023	blade	1
91	130395	Connecting tube	1