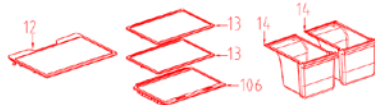
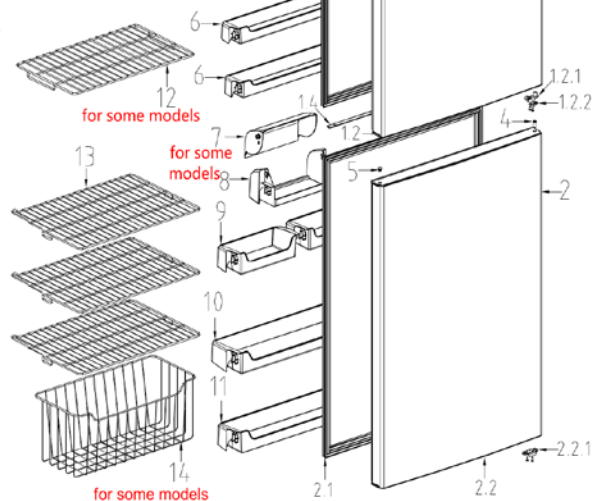
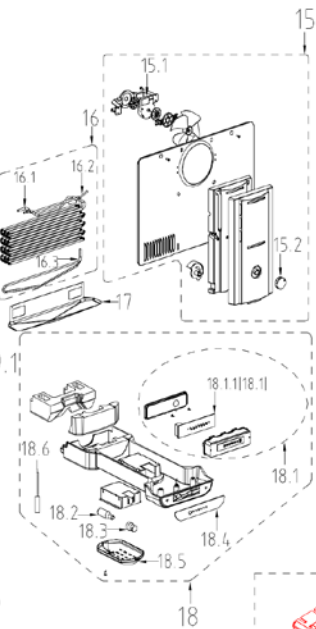
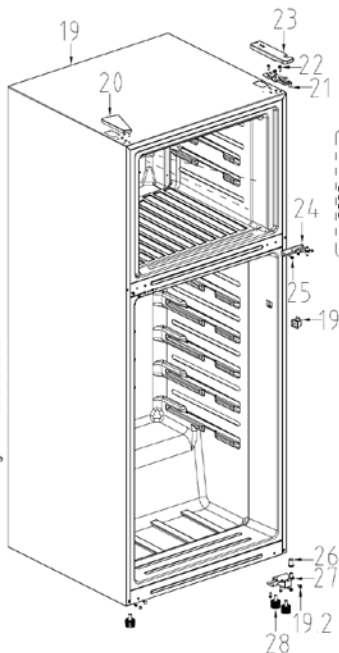
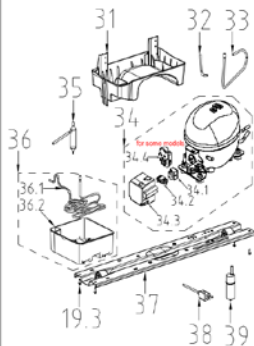
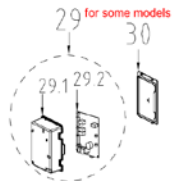


optional part



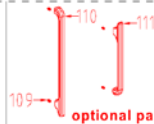
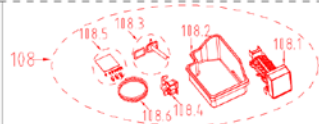
FF18D0W-2



for some models

for some models

for some models



optional part

| # | Parts Code | Part Name | Qty. |
|--------|----------------|--|------|
| 1 | 12831000A04507 | Freezer door assembly | 1 |
| 1.1 | 12131000016124 | Door gasket assembly of freezer | 1 |
| 1.2 | 12131000013512 | End cap assembly of freezer | 1 |
| 1.2.1 | 12131000003413 | Door self-locking | 1 |
| 1.2.2 | 12231000006546 | Stopper | 1 |
| 1.3 | 12131000009524 | Inner door gasket | 1 |
| 1.4 | 12131000010188 | Inner door gasket | 1 |
| 2 | 12831000A04510 | Refrigerator door assembly | 1 |
| 2.1 | 12131000016674 | Door gasket assembly of refrigerator | 1 |
| 2.2 | 12131000012865 | end cap assembly of refrigerator | 1 |
| 2.2.1 | 12231000006572 | Stopper | 1 |
| 3 | 12131000006238 | Shaft sleeve | 1 |
| 4 | 12131000006214 | Shaft sleeve | 1 |
| 5 | 12131000000637 | Hole cap | 1 |
| 6 | 12131000005985 | F large tray | 2 |
| 9 | 12131000005323 | R small tray | 2 |
| 10 | 12131000005562 | R large tray | 1 |
| 11 | 12131000005546 | R large tray | 1 |
| 12 | 12931000000165 | Steel wire shelf of freezer | 1 |
| 13 | 12531000001055 | Glass shelf components of refrigerator | 2 |
| 14 | 12131000000065 | Fruits and vegetables box | 2 |
| 15 | 12131000A08421 | Air duct assembly of freezer | 1 |
| 15.1 | 11002015007021 | fan motor | 1 |
| 15.2 | 12131000003582 | Button | 1 |
| 16 | 15831000002845 | Component supplying fin evaporator | 1 |
| 16.1 | 15831000000033 | Oblique fin evaporator | 1 |
| 16.3 | 17431000019183 | Defrost heater | 1 |
| 17 | 12231000006712 | Drain tray | 1 |
| 18 | 12131000073342 | air duct assembly of refrigerator | 1 |
| 18.1 | 12131000073289 | Main control board mounting box assembly | 1 |
| 18.1.1 | 17131000000177 | Main control board | 1 |
| 18.2 | 17431000000025 | Incandescent lamp | 1 |
| 18.3 | 17431000000041 | Lamp holder | 1 |
| 18.4 | 16031000000615 | Display control panel surface | 1 |
| 18.5 | 12131000005482 | Lamp cover | 1 |
| 19 | 12831000A03482 | Cabinet assembly | 1 |
| 19.1 | 17431000000392 | Sector-shaped switch | 1 |
| 19.2 | 11303305000045 | tapping locking screw | 5 |
| 19.3 | 11303305000004 | tapping locking screw | 4 |
| 20 | 12131000014610 | Hinge cover | 1 |
| 21 | 12231000006970 | Upper hinge | 1 |
| 22 | 11303305000004 | tapping locking screw | 3 |
| 23 | 12131000005146 | Hinge cover | 1 |
| 24 | 12231000007086 | Middle hinge assemblies | 1 |
| 25 | 11303305000045 | tapping locking screw | 2 |
| 26 | 12131000006217 | Shaft sleeve | 1 |
| 27 | 12231000007012 | Lower hinge assembly | 1 |
| 28 | 12131000000986 | Levelling feet | 3 |
| 31 | 12131000004386 | Drain tray | 1 |
| 32 | 15531000000065 | Processing tubes | 1 |
| 33 | 15531000000641 | Component supplying pipe connector | 1 |
| 34 | 11101010008725 | Fixed Speed Reciprocating Compressor | 1 |
| 35 | 15531000000127 | Dry filter | 1 |
| 36 | 15531000000010 | Component supplying pipe connector | 1 |
| 36.1 | 15531000001621 | Venting Connection tube | 1 |
| 36.2 | 12131000004276 | Drain tray | 1 |
| 37 | 12231000005886 | Compressor mounting panel assembly | 1 |
| 38 | 17431000000297 | Power cord | 1 |
| 39 | 17431000001253 | Capacitor | 1 |
| 106 | 12531000001025 | Glass shelf assembly of refrigerator | 1 |