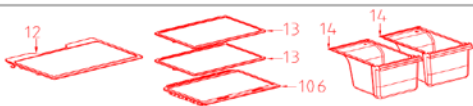
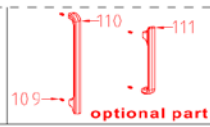
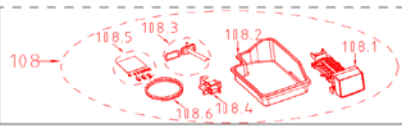
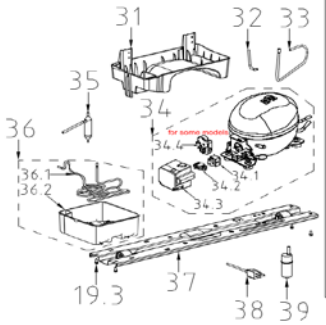
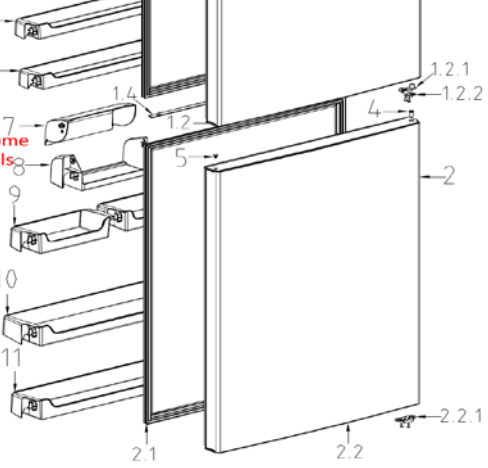
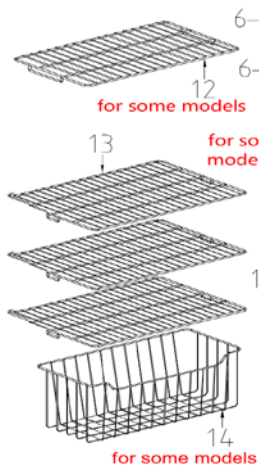
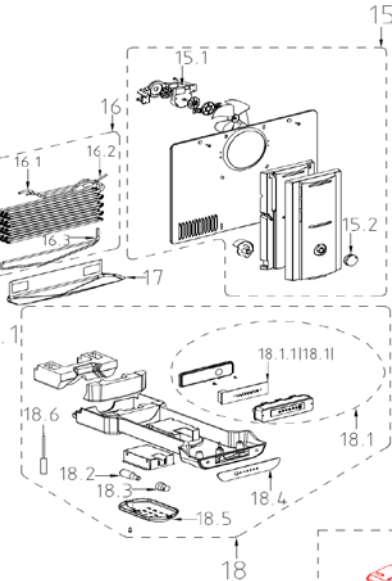
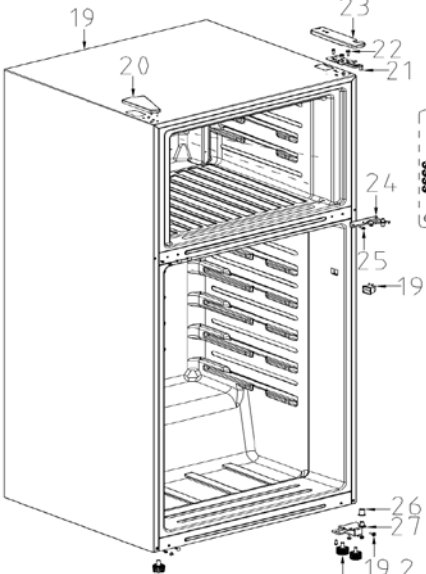
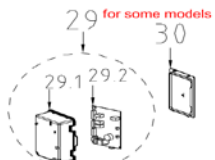


optional part



FF18D3S-2



optional part

#	Parts Code	Part Name	Qty.
1	12831000A04509	Freezer door assembly	1
1.1	12131000016122	Door gasket assembly of freezer	1
1.2	12131000013533	End cap assembly of freezer	1
1.2.1	12131000003413	Door self-locking	1
1.2.2	12231000006546	Stopper	1
1.3	12131000009524	Inner door gasket	1
1.4	12131000010188	Inner door gasket	1
2	12831000A04508	Refrigerator door assembly	1
2.1	12131000016673	Door gasket assembly of refrigerator	1
2.2	12131000013466	End covers components of refrigerator	1
2.2.1	12131000003413	Door self-locking	1
2.2.2	12231000006546	Stopper	1
3	12131000006238	Shaft sleeve	1
4	12131000006214	Shaft sleeve	1
5	12131000000542	Opercle	1
6	12131000005985	F large tray	2
9	12131000005323	R small tray	2
10	12131000005562	R large tray	1
11	12131000005546	R large tray	1
12	12931000000165	Steel wire shelf of freezer	1
13	12531000001055	Glass shelf components of refrigerator	2
14	12131000000065	Fruits and vegetables box	2
15	12131000A08421	Air duct assembly of freezer	1
15.1	11002015007021	fan motor	1
15.2	12131000003582	Button	1
16	15831000002845	Component supplying fin evaporator	1
16.1	15831000000033	Oblique fin evaporator	1
16.3	17431000019183	Defrost heater	1
17	12231000006712	Drain tray	1
18	12131000073342	air duct assembly of refrigerator	1
18.1	12131000073289	Main control board mounting box assembly	1
18.1.1	17131000000177	Main control board	1
18.2	17431000000025	Incandescent lamp	1
18.3	17431000000041	Lamp holder	1
18.4	16031000000615	Display control panel surface	1
18.5	12131000005482	Lamp cover	1
19	12831000034913	Cabinet assembly	1
19.1	17431000000392	Sector-shaped switch	1
19.2	11303305000045	tapping locking screw	5
19.3	11303305000004	tapping locking screw	4
20	12131000014611	Hinge cover	1
21	12231000006970	Upper hinge	1
22	11303305000004	tapping locking screw	3
23	12131000005069	Hinge cover	1
24	12231000007086	Middle hinge assemblies	1
25	11303305000045	tapping locking screw	2
26	12131000006217	Shaft sleeve	1
27	12231000007012	Lower hinge assembly	1
28	12131000000986	Levelling feet	3
31	12131000004386	Drain tray	1
32	15531000000065	Processing tubes	1
33	15531000000641	Component supplying pipe connector	1
34	11101010008725	Fixed Speed Reciprocating Compressor	1
35	15531000000127	Dry filter	1
36	15531000000010	Component supplying pipe connector	1
36.1	15531000001621	Venting Connection tube	1
36.2	12131000004276	Drain tray	1
37	12231000005886	Compressor mounting panel assembly	1
38	17431000000297	Power cord	1
39	17431000001253	Capacitor	1
106	12531000001025	Glass shelf assembly of refrigerator	1