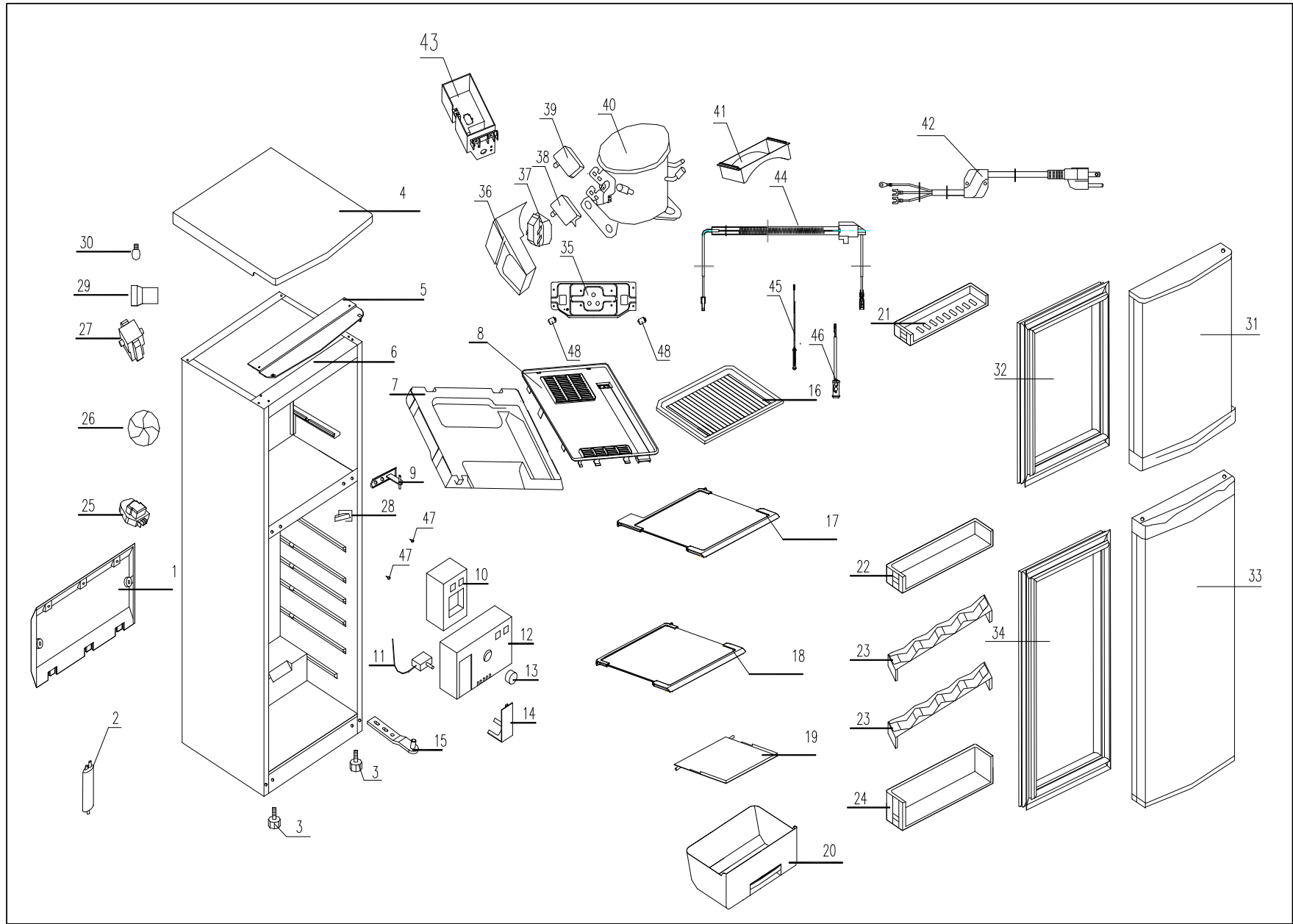


# FF512PS Exploded View



### FF512PS Parts List

No.	Part Number	Description
1	B0172.5-2/P	Compressor House Cover
2	Q/MLKT-049	Dry Filter
3	BCD-200A.1-2	Leveling leg
4	C0472.7-1/P	Top Cover
5	C0472.7.1/P	Top Hinge
6	C0472.1.1/P	Cabinet
7	B0039.3.1	Freezer Wind Path
8	B0039.3-5A	Freezer Thermsatat Panel
9	C0472.1.2	Middle Hinge
10	B0039.3-8	Refrigerator Wind Path
11	C0472.4.9	Thermostat
12	B0039.3-7	Refrigerator Thermsatat Panel
13	Q/MLKT-055	Thermostat Knob
14	B0039.4-1	Lamp Cover
15	C0435.1.2	Bottom Hinge
16	B0039.5-1	Freezer Shelf
17	C0472.5.1/P	Refrigerator Shelf (UP)glass
18	C0472.5.2/P	Refrigerator Shelf (DOWN)glass
19	B9916.5.1	Crisper Cover
20	B9916.5-4	Crisper
21	B0238.5-3	Freezer Bottle Shelf
22	B9916.5-1	Refrigerator Balcony (up)
23	C0472.5-2	Beverage Can Rack
24	B9916.5-3	Refrigerator Balcony (down)
25	B0238.4.4/ADB	Defrost Timer
26	B0039.4.1-1	Fan Blade
27	C0472.4.1-1	Fan Motor
28	C0472.4.11	Lamp Switch
29	B0175.4.2	Lamp Holder
30	B0175.4.3	Lamp
31	C0472.2.2/P	Foamed Freezer Door
32	C0472.2.4/P	Freezer Door Gasket
33	C0472.2.1/P	Foamed Refrigerator Door
34	C0472.2.3/P	Refrigerator Door Gasket
35	C0472.1-1	Compressor Base
36		PTC Relay Cover
37		PTC Relay
38		Overload Protector
39		Capacitor
40	DC51C72RBU6	Compressor
41	B0039.1-6	Drop Tray
42	B0175.4.4/A3	Power Supply Cord
43	BCD-198W.4.5-2	Wiring Box
44	C0472.4.3	Defrost Heaters
45	C0472.4.4	Thermal Cutoff (Fuse)
46	C0472.4.8	Heater Over-Temperature Control
47	B0117.1-3/P	Hole Plug
48	BCD-248W.3-2	Roller