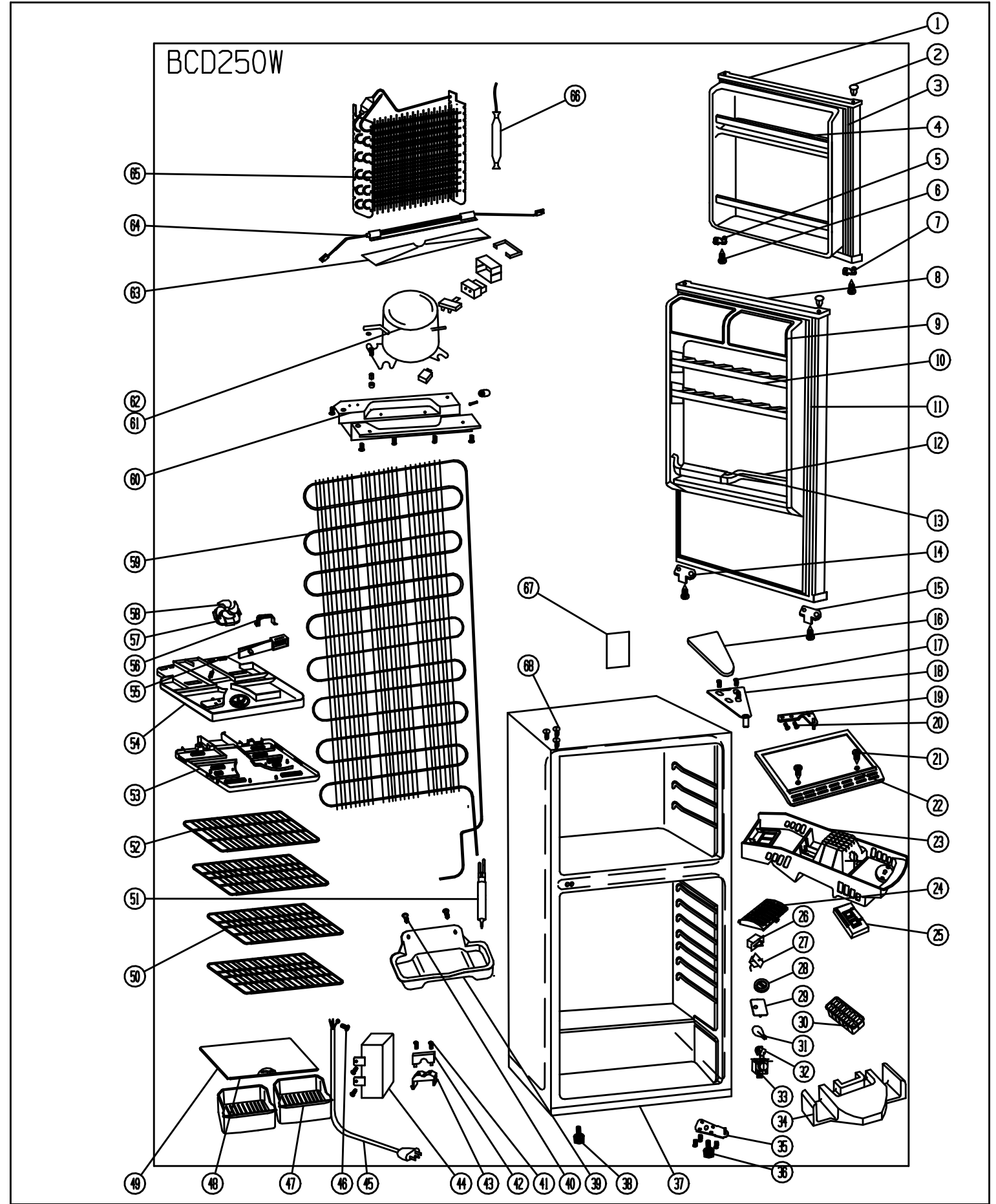


Serial No.	Part No.	Description	Quantity
1	1.51.020000017	Upper Door Assembly (White)	1
1P	1.51.020000019	Upper Door Assembly (Platinum)	1
2	1.02.020000087	Hinge Hole Plug (white)	2
2B	1.02.020000132	Hinge Hole Plug (black)	2
3	1.21.020000011	Upper Door Gasket (white)	1
3B	1.21.020000014	Upper Door Gasket(black)	1
4	1.02.020000084	Upper Door Shelf	2
5	1.02.020000129	Upper Door Stopper(right) white	1
5B	1.02.020000136	Upper Door Stopper(right) black	1
6	1.07.020000005	Self Tapping Screw ST4.2x16	6
7	1.02.020000086	Upper Door Stopper(left) white	1
7B	1.02.020000135	Upper Door Stopper(left) black	1
8	1.51.020000018	Lower Door Assembly (White)	1
8P	1.51.020000020	Lower Door Assembly (Platinum)	1
9	1.02.020000089	Cover of Butter Box	2
10	1.02.020000092	Can Rack	2
11	1.21.020000010	Lower Door Gasket	1
11B	1.21.020000015	Lower Door Gasket(black)	1
12	1.02.020000093	Bottle Rack (plastic)	1
12W	1.22.020000015	Bottle Rack (wire shelf)	1
13	1.02.020000095	Bottle Block	1
14	1.06.020000084	Lower Door Stopper(right)	1
15	1.06.020000061	Lower Door Stopper(left)	1
16	1.02.020000065	Upper Door Hinge Cover (white)	1
16B	1.02.020000133	Upper Door Hinge Cover (black)	1
17	1.07.020000001	Flange Screw M5x16	6
18	1.06.020000071	Upper Hinge Parts	1
19	1.06.020000017	Mid-Hinge	1
20	1.07.020000001	Screw M5x20	2
21	1.07.020000005	Stainless Self Tapping Screw ST4.2x13	10
22	1.02.020000106	Freezer wind return cover	1
23	1.02.020000082	Thermostat Enclosure	1
24	1.02.020000100	Lamp Shade	1
25	1.09.020000015	Fresh Food Foam Block	1
26	1.19.020000017	Lamp Switch	1
27	1.19.020000023	Thermostat	1
28	1.02.020000101	Temperature Control Knob	1
29	1.06.020000069	Baffle-board	1
30	1.02.020000016	Ice Tray	1
31	1.19.020000022	Lamp Bulb	1
32	1.19.020000021	Lamp Holder	1
33	1.19.020000029	Defrost timer	1
34	1.09.020000016	Foam Block of Return Wind	1
35	1.06.020000072	Lower Hinge Parts	1
36	1.02.020000014	Lower Adjustable leg	1
36B	1.02.020000194	Lower Adjustable leg(black)	1
37	1.50.020000008	Foam Cabinet	1
37B	1.50.020000009	Foam Cabinet(black)	1
38	1.02.020000124	Higher Adjustable Leg	1
38B	1.02.020000193	Higher Adjustable Leg(black)	1
39	1.02.020000108	Water Disposal Pan	1
40	1.07.020000010	Self Tapping Screw ST4x16	8
41	1.07.020000003	Screw	2
42	1.02.020000011	Upper Clip Of Power Supply Cord	1
43	1.02.020000012	Lower Clip Of Power Supply Cord	1
44	1.02.020000110	Terminal Block	1
45	1.19.020000030	Power Supply Cord With Plug	1
46	1.07.020000004	Copper Screw with washer M4x8	1
47	1.02.020000107	Crisper Drawer	2
48	1.02.020000123	Plastic bar	1
49	1.22.020000006	Crisper Cover	1
50	1.22.020000005	Wire Shelf	2
50P	1.67.020000040	Glass Shelf assembly	2
51	1.06.020000042	Drier Filter	1
52	1.22.020000006	Freezer Wire Shelf	1
52P	1.67.020000041	Freezer Glass Shelf Assembly	1
53	1.02.020000102	Wind Cover Board A	1
54	1.02.020000103	Wind Cover Board B	1
55	1.02.020000104	Adjustbale Block	1
56	1.06.020000081	Motor Mount Bracket	1
57	1.19.020000027	Fan motor	1
58	1.02.020000105	Fan blade	1
59	1.04.020000001	Condenser	1
60	1.06.020000084	Compressor Base	1
61	1.05.020000010	Compressor DG57C	1
	1.05.020000011	Compressor accessories	1
	1.19.020000049	PTC Relay	1
62	1.05.020000050	Overload protector	1
63	1.06.020000064	Heat Transfer Flake	1
64	1.19.020000028	Defrost Heater	1
65	1.03.020000006	Evaporator	1
66	1.19.020000027	Over-Temperature Control Assembly	1
67	1.17.020000023	Electrical Diagram	1
68	1.02.020000109	Screw hole plug (white)	5
68B	1.02.020000134	Screw hole plug(black)	5
69	1.02.020000195	New Hinge Hole Cover white	1
69B	1.02.020000196	New Hinge Hole Cover black	1



This document was created with Win2PDF available at <http://www.daneprairie.com>.
The unregistered version of Win2PDF is for evaluation or non-commercial use only.