



Model : SR 30NMA/ NMB / RMB
SR 34NMA/ NMB / RMB
SR 37NMA/ NMB / RMB

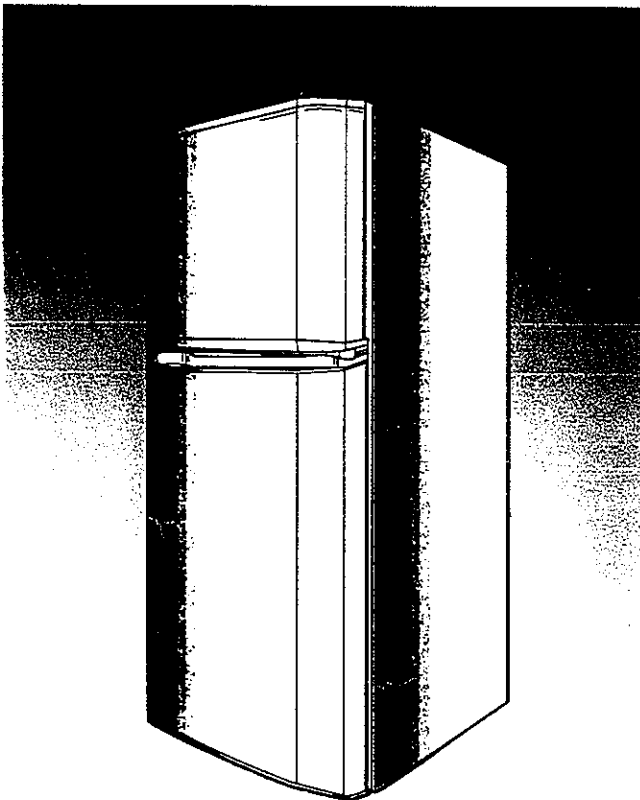
When order parts, Please take its number out of PPL.
to prevent incorrect parts from delivering to you.



FF-97R

SERVICE Manual

REFRIGERATOR

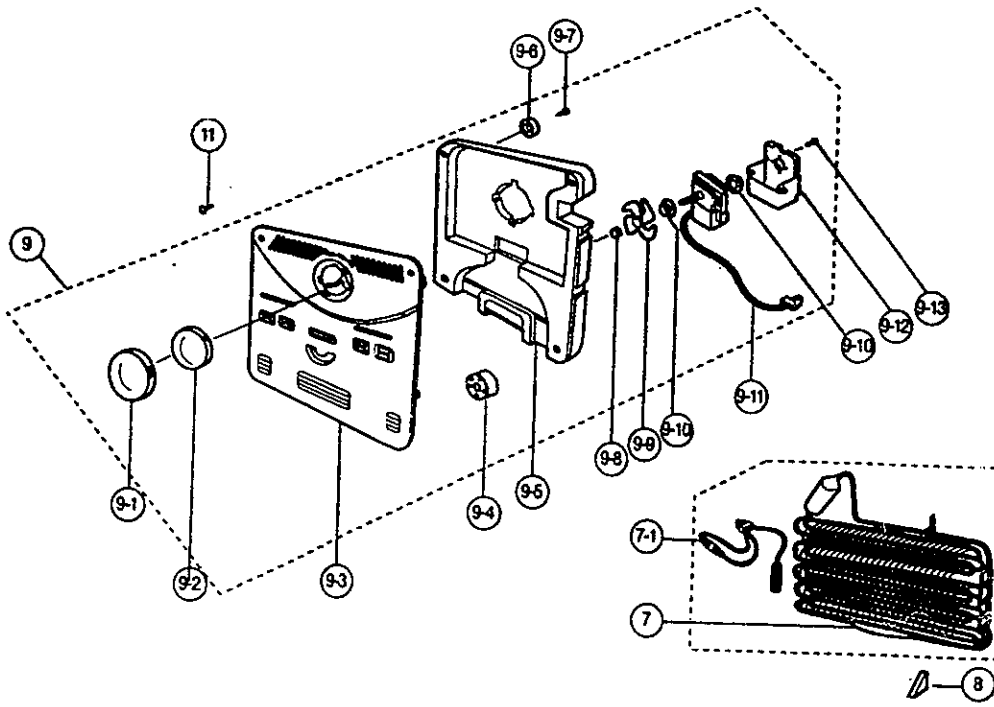
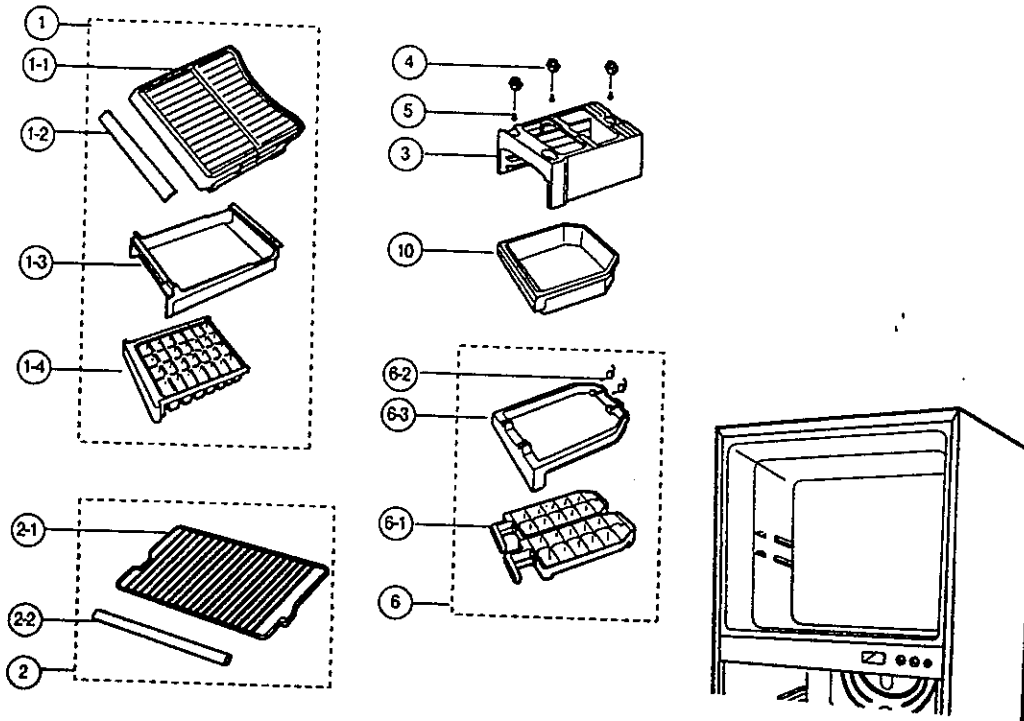


CONTENTS

1. Safety Precautions and Warnings
2. Product Specifications
3. Electrical Part Specifications & Standard
4. Product Dimension
5. Identifying and Disassembling the Parts
6. Schematic Diagram of Coolant Gas Circulation
7. Circuit Diagram
8. Packing dimension
9. Schematic diagram of cold air flow
10. Troubleshooting method
11. Exploded view & part list
12. How to disassemble of freezing compartment
13. How to disassemble of refrigerating compartment
14. How to disassemble of exchanging reversible door

11. Exploded View & Parts List

11-1 Freezing compartment



NO	CODE-NO	DESCRIPTION	SPECIFICATION	QTY	REMARKS
1	DA67-00031A	SHELF-FRE ASS'Y	GPPS, T25, 28	1	SNA
1-1	DA67-00008A	SHELF-FRE	GPPS, T3PJT (T25,28)	1	
1-2	DA64-00003A	TRIM-SHELF	ABS-T3-PJT(T25,28)	1	
1-3	DA61-00001A	SUPT-TRAY ICE	PP(BJ-730)T3-PJT,T2.0	1	
1-4	DA67-40177A	TRAY-ICE	PP.V-PJT,T1.2	1	
2	DA67-00053A	SHELF-WIRE FRE ASS'Y	SC-93437R, T3-PJT(T25,28)	1	SNA
2-1	DA67-00050A	SHELF-WIRE FRE	MSWR10, SC-93437R	1	
2-2	DA64-00018A	TRIM-SHELF	ABS-T3-PJT(T25,28)WIRE	1	
3	DA61-70003A	SUPT-TRAY ICE	HIPS, SR-23/27, T2.0	1	
4	DA71-20252A	FIXER-GROMMET D/FRE	ABS	3	
5	6002-000231	SCREW-TAP,TH	2S,M4,L12 ZPC(YEL)	3	SNA
6	DA67-10126A	CASE-TRAY ICE	HIPS, SR-2705,T2.0	1	
6-1	DA67-40180A	TRAY-ICE(A)	P.P	2	
6-2	DA61-20119A	SPRING-ICE	PI 1.0, L162,6	2	
6-3	DA67-10126B	CASE-TRAY ICE	HIPS	1	
7	DA59-00006A	EVAP-ASS'Y	T3-PJT(T25,28,31), 220V	1	
	DA59-00006B	EVAP-ASS'Y	T3-PJT(T25,28,31) 240V, 15A	1	
	DA59-00006C	EVAP-ASS'Y	T3-PJT(T25,28,31) 110V, 15A	1	
	DA59-00006D	EVAP-ASS'Y	T3-PJT(T25,28,31) 127V, 15A	1	
	DA59-00006E	EVAP-ASS'Y	T3-PJT(T25,28,31) 240V, 15A(AUST.)	1	
7-1	DA47-00002D	THERMO-BIMETAL	250V, 15A	1	
	DA47-00002E	THERMO-BIMETAL	AC 125/250, 15/7.5A(AUST)	1	
8	DA72-00061A	SEAL-EVAP,E	FOAM, PE, T20	2	SNA
9	DA63-00030A	COVER-EVAP FRE ASS'Y	PP+FOAM PS, T3-PJT, 220V/60Hz	1	
	DA63-00030B	COVER-EVAP FRE ASS'Y	PP+FOAM PS, T3-PJT, 110V/115V	1	
	DA63-00030C	COVER-EVAP FRE ASS'Y	PP+FOAM PS, T3-PJT, 120V/127V	1	
	DA63-00030D	COVER-EVAP FRE ASS'Y	PP+FOAM PS, T3-PJT, 230V/240V	1	
	DA63-00030E	COVER-EVAP FRE ASS'Y	PP+FOAM PS, T3-PJT, 220V/50Hz	1	
9-1	DA63-00026A	COVER-MOTOR,A	GPPS, T3-PJT(T25,28,31)	1	
9-2	DA63-0022A	COVER-MOTOR,B	GPPS, T3-PJT(T25,28,31)	1	
9-3	DA63-00021A	COVER-EVAP,FRONT	PP, WHITE, T3-PJT	1	
9-4	DA64-00012A	KNOB-TEMP CONTROL,FRE	ABS, T3-PJT, WHT	1	
9-5	DA63-00024A	COVER-EVAP,REAR	FOAM-PS T-PJT(25, 28, 31)	1	
9-6	DA60-40104G	WASHER	PI 4, 5, T2.0, T3PJT	3	
9-7	6002-000231	SCREW-TAP, TH	2S,M4,L12,ZPC(YEL)	3	SNA
9-8	DA61-20128A	SPRING-FAN	STS 27, +1.0 PI7.8	1	SNA
9-9	DA31-20103A	FAN-SIROCCO	ABS	1	SNA
9-10	DA63-40119A	GROMMET-MOTOR	NBR-BLK	2	

Indicated part is for electrical safety components

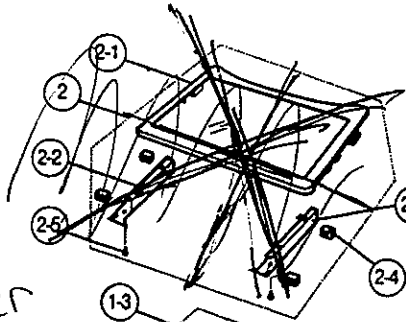
NO	CODE-NO	DESCRIPTION	SPECIFICATION	QTY	REMARKS	
9-11	⚠	DA31-10109B	MOTOR-FAN	IS-3210 TRE1-2, (220V 60HZ)	1	
		DA31-10109D	MOTOR-FAN	IS-3208 TMDA-4 (110V/60HZ)	1	
		DA31-10109W	MOTOR-FAN	IS-3208 TMDA-8 (127V/60HZ)	1	
		DA31-10109F	MOTOR-FAN	IS-3208 TMDA-6 (230~240V/50HZ)	1	
		DA31-10109Z	MOTOR-FAN	RHB-008ATED (220V/50HZ)	1	
9-12		DA63-10364A	COVER-MOTOR	PP	1	
9-13		6002-000471	SCREW-TAPPING	TH, +,M4 L STS304	1	SNA
10		DA67-10210E	CASE-ICE CUBE	GPPS V23/27	1	
11		6002-000215	SCREW-TAPPING	TH, +2S, M4 L16,ZPC(YEL)	2	SNA

SR37NMA/NMB/RMB

NO	CODE-NO	DESCRIPTION	SPECIFICATION	QTY	REMARKS
1	DA67-00031B	SHELF-FRE ASS'Y	GPPS, T31(T3-PJT)	1	SNA
1-1	DA67-00007A	SHELF-FRE	GPPS, T3-PJT, HF-2660	1	
1	DA67-00053C	SHELF-WRE FRE ASS'Y	SC-93437R, T3-PJT(T31) PE COATING	1	SNA
1-1	DA67-00050C	SHELF-WRE FRE	MSWR10, SC-93437R, T3-PJT	1	

Indicated part is for electrical safety components

11-2 Refrigerating compartment



Crisper cover

da67-00030C

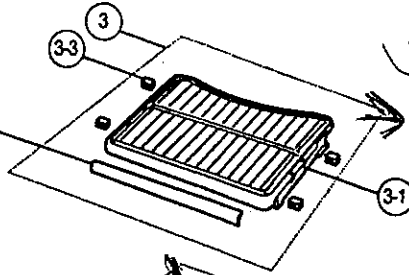
Crisper

da67-00010b

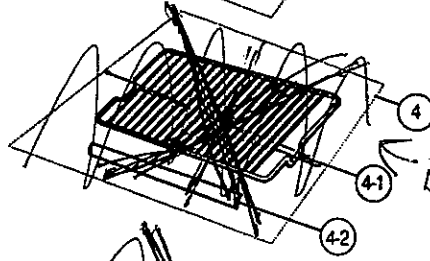
Chiller Comp.

Chiller Door

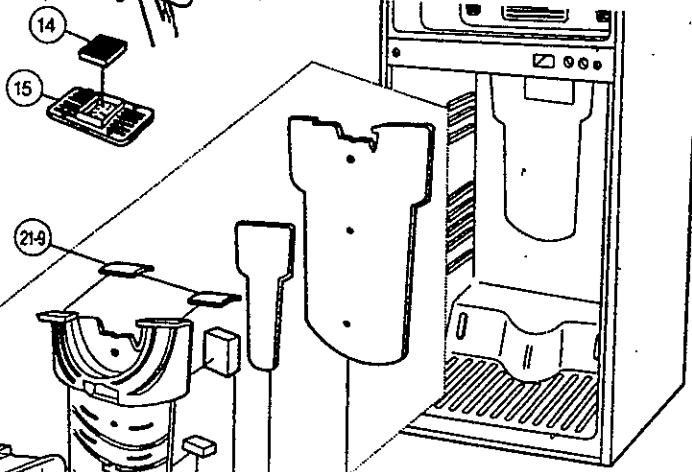
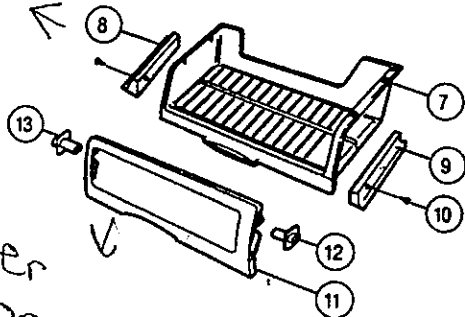
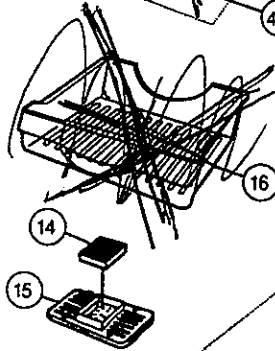
da63-00037d



Use this one
da67-00032E
00013A



Do not use



NO	CODE NO	DESCRIPTION	SPECIFICATION	QTY	REMARKS
1	DA67-00030A	SHELF-REF LOW ASS'Y	GPPS, T3-PJT, KNOB MOIS	1	SNA
1-1	DA67-00012A	SHELF-REF LOW	GPPS, T3-PJT(T25,28)	1	
1-2	DA64-00003B	TRIM-SHELF REF	ABS, T3-PJT(T25,28)T1.0	1	
1-3	DA64-00004A	KNOB-MOIS CONT	PP, T3-PJT	1	
1-4	DA63-40305A	GROMMET-RAIL	NY-6-P,PJT(HED)	4	
2	DA67-00033A	SHELF-REF ASS'Y(GLASS)	ABS + GLASS T25,28	2	SNA
2-1	DA67-00040A	SHELF-REF	ABS, T3-PJT, (T25,28)	2	
2-2	DA61-00010A	RAIL-CHILIED,L	HIPS, T3-PJT, T2.0	2	
2-3	DA61-00011A	RAIL-CHILIED,R	HIPS, T3-PJT, T2.0	2	
2-4	DA63-40305A	GROMMET-RAIL	NY-6 P-PJT(HED)	8	
2-5	DA60-10130F	SCREW-TAPPING	TH,4,2S, M4 X 12, STS304	4	SNA
3	DA67-00032A	SHELF-REF ASS'Y	GPPS, T25.28(T3-PJT)	2	SNA
3-1	DA67-00013A	SHELF-REF	GPPS, T3-PJT(T25.28)	2	
3-2	DA64-0003B	TRIM-SHELF REF	ABS, T3-PJT(T25,28) T1.0	2	
3-3	DA63-40305A	GROMMET RAIL	NY-6, P/PJT CHILLED	8	
4	DA67-00053B	SHELF-WIRE REF ASS'Y	SC-93437R,T3-PJT	2	SNA
4-1	DA67-00050B	SHELF-WIRE REF	MSWR, SC-93437R	2	
4-2	DA64-00018A	TRIM-SHELF	ABS, T3-PJT WIRE	2	
5	DA67-00010B	CASE-VEG	GPPS, T3-PJT, HF-2660	1	
6	DA71-00003A	GUIDE-VEG	PP, T3-PJT (ALL)	1	
7	DA67-00039A	TRAY-CHILLED ROOM	GPPS,(HF-2660)T3-PJT	1	
8	DA61-60179A	RAIL-LOW(L)	HIPS	1	
9	DA61-60180A	RAIL-LOW(R)	HIPS	1	
10	6002-000213	SCREW-TAPPING	TH+1M4 x12 ZPC	2	SNA
11	DA63-00037A	COVER-CHILLED ROOM	GPPS, NTR, T3-PJT	1	
12	DA63-40131A	GROMMET-COVER CHILL,A	ABS	1	
13	DA63-40129A	GROMMET-COVER CHILL,B	ABS	1	
14	DA02-90106H	CATALYST-LTC	AC, T10 W42 xL42	1	
15	DA63-00027A	COVER-PURIFIER	PP, T3-PJT(25,28,31)	1	
16	DA67-00009B	CASE-CHILLED ROOM	GPPS, T3-PJT, HF-2660	1	
17	DA67-00057A	SHELF-WINE	HIPS,T3-PJT, OPTION	1	
18	6002-000213	SCREW-TAPPING	TH, +1M4 x12 ZPC	2	SNA
19	DA63-00023A	COVER-LAMP REF	GPPS, T3-PJT(25, 28, 31)	1	
20	⚠ 4713-000213	LAMP-INCANDESENT	240V, 70MA,15W	1	
	4713-001035	LAMP-INCANDESENT	110~130V/14~16W	1	
21	⚠ DA47-00001A	DAMPER-ASS'Y	T3-PJT (220V)	1	
	DA47-00001B	DAMPER-ASS'Y	T3-PJT (110V)	1	
	DA47-00001C	DAMPER-A'SSY	T3-PJT(127V)	1	
	DA47-00001D	DAMPER-A'SSY	T3-PJT(230~240V)	1	
	DA47-00001E	DAMPER-A'SSY	T3-PJT(220V, WIRE-OPTION)	1	
	DA47-00001F	DAMPER-A'SSY	T3-PJT(110V, WIRE-OPTION)	1	

Indicated part is for electrical safety components

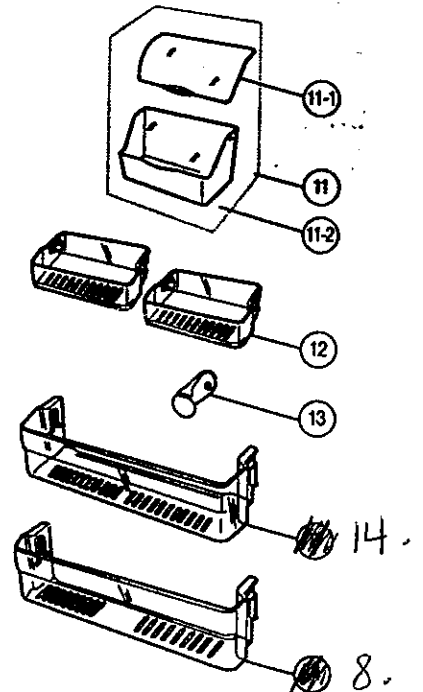
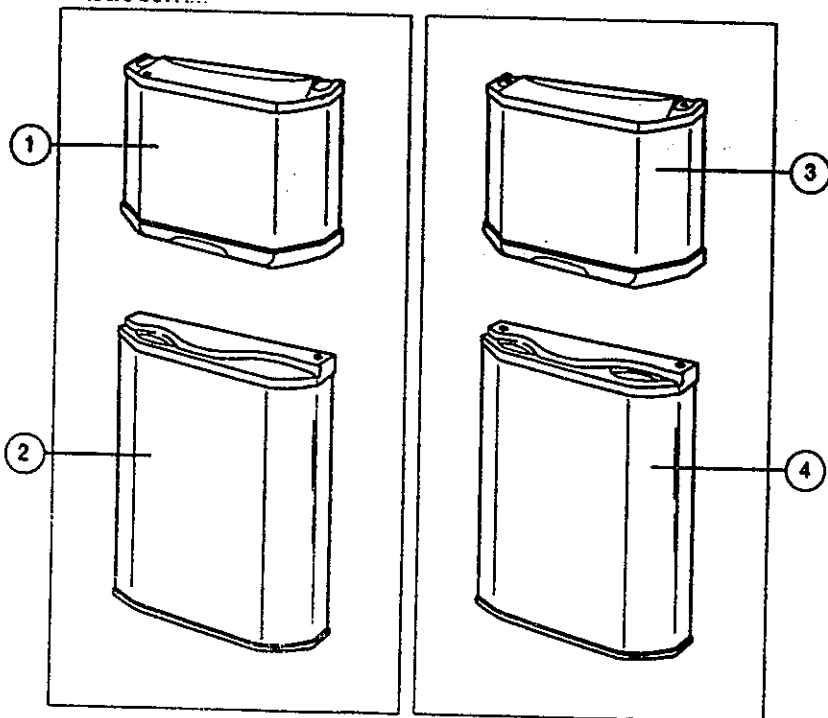
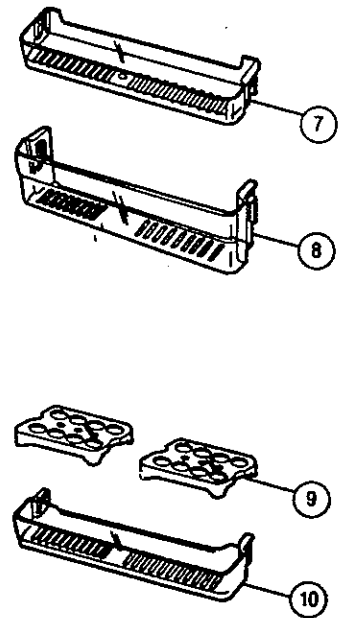
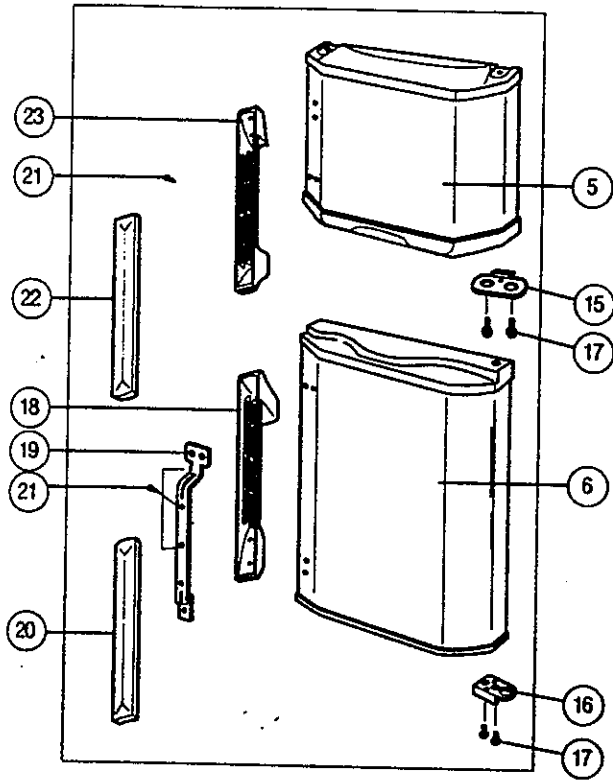
NO		CODE-NO	DESCRIPTION	SPECIFICATION	QTY	REMARKS
21-1	⚠	DA47-00001G	DAMPER-A'SSY	T3-PJT(127V, WIRE-OPTION)	1	SNA
		DA47-00001H	DAMPER-A'SSY	T3-PJT(220~240V, WIRE-OPTION)	1	
21-2	⚠	DA47-10159C	THERMO-R	T3-PJT, PFN-174S-05F	1	
		DA47-10159D	THERMO-R	T3-PJT, PFN-174S-05G	1	
21-3	⚠	6002-000231	SCREW-TAPPING	TH+4 × 12 ZPC(YEL)	2	
21-4		DA47-40120D	LAMP-HOLDER	PBT, HOUSING E14, 75 Ω , (220V)	1	
		DA47-40120H	LAMP-HOLDER	PBT, HOUSING, E14, 20 Ω (110V)	1	
		DA47-40120F	LAMP-HOLDER	PBT, HOUSING, E14, 27 Ω (127V)	1	
		DA47-40120G	LAMP-HOLDER	PBT, HOUSING, E14, 91 Ω (230~240V)	1	
21-5		DA64-00011A	KNOB-TEMP CONTROL, REF	ABS, T3-PJT, WHITE	1	
21-6		DA63-00020A	COVER-DUCT	PP, WHITE, T3-PJT(25, 28, 31)	1	
21-7		DA72-00018A	SPACER-DUCT, A	T3-PJT FOAM-PS	1	SNA
21-8		DA72-00054A	SEAL-D/P, C	T3-PJT FOAM-PE	1	SNA
21-9		DA72-00025A	SEAL-D/P, REAR	HOMO-PP(T3-PJT), T0.35	1	SNA
21-10		DA71-00018A	GUIDE AIR	RD-PVC(SCRAP) T1.5	2	SNA
21-11		DA72-00052A	SEAL-D/P, A	FOAM-PE (T3-PJT) T10	1	SNA
22		DA72-00052B	SEAL-D/P, S	FOAM-PE (T3-PJT) T15	1	SNA
23		DA71-20252A	FIXER-GROMMET D/FRE	ABS	2	SNA
		6002-000226	SCREW-TAPPING	TH+4X16ZPC(YEL)	3	SNA

SR37NMA/NMB/RMB

NO		CODE-NO	DESCRIPTION	SPECIFICATION	QTY	REMARKS
1		DA67-00030B	SHELF-REF LOW ASS'Y	GPPS, T3-PJT(T31)	1	SNA
1-1		DA67-00015A	SHELF-REF LOW	GPPS, T3-PJT(T31)	1	SNA
2		DA67-00033B	SHELF-REF ASS'Y(GLASS)	ABS+GLASS, T31	2	SNA
2-1		DA67-00041A	SHELF-REF	ABS, T3-PJT(T31)	2	SNA
2-4		DA63-40305A	GROMMET-RAIL	NY-6, P-PJT(HED)	8	SNA
3		DA67-00032B	SHELF-REF ASS'Y	GPPS, T31	2	SNA
3-1		DA67-00014A	SHELF-REF	GPPS, T3-PJT(T31)	2	SNA
4		DA67-00053D	SHELF-WIRE REF ASS'Y	SC-93437R, T3-PJT(T31)PE COATING	2	SNA
4-1		DA67-00050D	SHELF-WIRE REF	MSWR10, SC-93439R, T3-PJT	2	SNA
5		DA67-00011B	CASE-VEG	GPPS, T3-PJT(T31), HF-2660	1	SNA

Indicated part is for electrical safety components

11-3 Door parts



NO.	CODE NO.	DESCRIPTION	SPECIFICATION	QTY	REMARKS
1	DA91-00036A	ASS'Y-FOAM DOOR FRE	T3-PJT(T28, 31)	1	SNA
2	DA91-00037A	ASS'Y-FOAM DOOR REF	T3-PJT(T28, 31)	1	SNA
3	DA91-00036B	ASS'Y-FOAM DOOR FRE	T3-PJT(T28, 31)R/S	1	SNA
4	DA91-00037B	ASS'Y-FOAM DOOR REF	T3-PJT(T28, 31)R/S	1	SNA
5	DA91-00036E	ASS'Y-FOAM DOOR FRE	T3-PJT(T28, 31)V/T	1	SNA
6	DA91-00037C	ASS'Y-FOAM DOOR REF	T3-PJT(T28, 31)V/T	1	SNA
7	DA63-00011B	GUARD-FRE UPP	GPPS(HF-2660)T3-PJT	1	
8	DA63-00014B	GUARD-FRE LOW	GPPS(HF-2660)T3-PJT	2	
9	DA67-40178C	TRAY-EGG	GPPS, VH-PJT,NTR T2,5	2	
10	DA63-00012B	GUARD - EGG	GPPS (HF-2660)T3-PJT	1	
11	DA67-00047A	CASE-DAIRY ASS'Y	T3-PJT, GS, ASS'Y	1	
11-1	DA63-00043A	COVER-DAIRY	GPPS, NTR, T3-PJT SS, T2.0	1	
11-2	DA67-00046A	CASE-DAIRY	HIPS, T3-PJT SS, WHITE	1	
12	DA63-00010B	GUARD-VARIETY	GPPS, (HF-2660) T3-PJT	2	
13	DA71-00017A	GUIDE-BOTTLE	PP, T3-PJT(ALL)	1	
14	DA63-00013B	GUARD-BOTTLE	GPPS(HF-2660) T3-PJT	1	
15	DA71-00007A	STOPPER-DOOR	SCP1, T2.6 T3-PJT SNC2	1	
16	DA71-00007B	STOPPER-DOOR	SCP1, T2.6 T3-PJT (ZPC3)	1	
17	6001-00061	SCREW-MACHINE	TH M4 x 12 ST304	4	SNA
18	DA64-00025A	HANDLE-REF	ABS, HG-0760H, V/T	1	
19	DA71-00023A	REINF-HANDLE REF	SECC1, SR-T25, 28, 31	1	
20	DA64-00027A	HANDLE-TRIM REF	ABS, V/T SC-97527R	1	
21	6002-000468	SCREW-TAPPING	PH,2S, M5 x L18 ZPC(YEL)	8	SNA
22	DA64-00026A	HANDLE-TRIM FRE	ABS, V/T SC-97527R	1	
23	DA64-00024A	HANDLE-FRE	ABS, HG-0760H, V/T	1	

SR30NMA/NMB/RMB

NO.	CODE NO.	DESCRIPTION	SPECIFICATION	QTY	REMARKS
1	DA91-00036C	ASS'Y-FOAM DOOR FRE	T3-PJTC T25		SNA
2	DA91-00037A	ASS'Y-FOAM DOOR REF	T3-PJT T25		SNA
3	DA91-00036D	ASS'Y-FOAM DOOR FRE	T3-PJTC T25 (R/S)		SNA
4	DA91-00037B	ASS'Y-FOAM DOOR REF	T3-PJT T25 (R/S)		SNA
5	DA91-00036F	ASS'Y-FOAM DOOR FRE	T3-PJTC T25 (V/T)		SNA
6	DA91-00037C	ASS'Y-FOAM DOOR REF	T3-PJT T25(V/T)		SNA

Indicated part is for electrical safety components

11-4 Cabinet Parts & Unit

