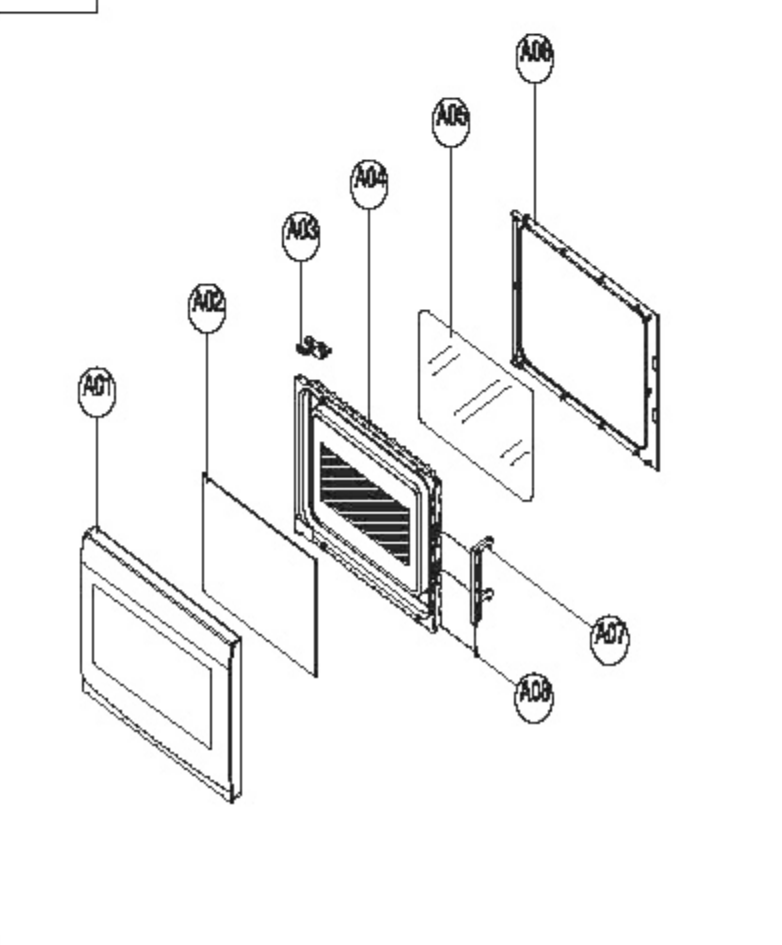
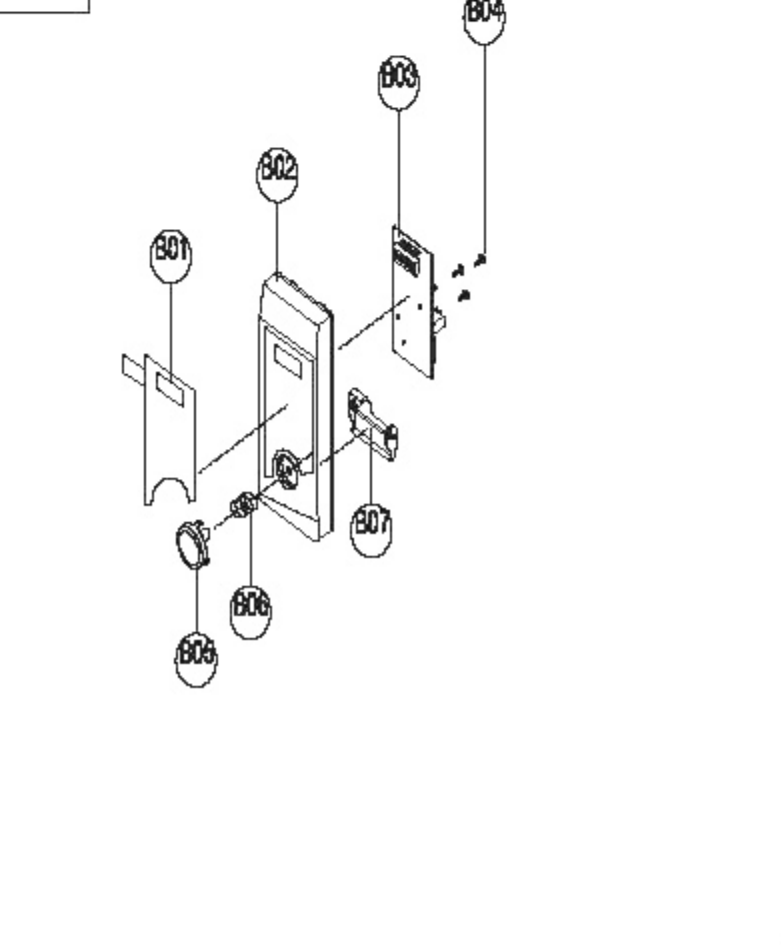


A00



B00



## MO7220MW & MO7221MB

NO	PART CODE	PART NAME	DESCRIPTION	Q'TY
A00	3511729900	DOOR AS	KQG-6L353S	1
B00	PKCPSWFMF0	CONTROL-PANEL AS	KOR-6L3B4A49	1
F01	3510808410	CABINET AS	KOR-6L0B1A	1
F02	3516117410	CAVITY AS	KOR-6L0B1A	1
F03	3516004100	SPECIAL SCREW	T1 TRS LR4 POLE 4*10 MFZN	4
F04	7122401211	SCREW TAPPING	T2S TRS 4X12 MFZN	2
F05	7S312X40A1	SCREW SPECIAL	T1 TRS 4*10 SE MFZN	2
F06	35113NEW55	CORD POWER AS	3X18AWG 70X70 100-RTML	1
F07	3516004100	SPECIAL SCREW	T1 TRS LR4 POLE 4*10 MFZN	1
F08	7121300611	SCREW TAPPING	T2S PAN 3X6 MFZN	2
F09	3518903400	THERMOSTAT	OFF:150 ON:60 V 187	1
F10	3518608310	NOISE-FILTER	DWLF-M12 C	1
F11	7121402511	SCREW TAPPING	T2S PAN 4X25 MFZN	2
F12	3963822760	MOTOR SHADED POLE	120V 60HZ OEM-10DWX1-B07	1
F13	3512527600	GUIDE WIND	PP	1
F14	3511800300	FAN	PP+30%GLASS	1
F15	3518004300	MAGNETRON	RM228HFD 4CF	1
F16	7272400811	SCREW TAPTITE	TT3 TRS 4X8 MFZN	3
F17	7S432X4081	SPECIAL SCREW	TT3 TRS 4X8 SE MFZN	1
F18	3513003200	HOLDER HV CAPACITOR	SECC T0.5	1
F19	3518301801	CAPACITOR HV	2100VAC 0.82UF #187 65MM	1
F20	3518400400	DIODE HV AS	HVR-1X-3AB 12KV #187	1
F21	3518123660	TRANS HV	DWAS70A0-6LA A	1
F22	3516003700	SPECIAL SCREW	TT3 HEX 4X8 FLG MFZN	4
F23	3510317500	BASE	SBHG T0.5	1
F24	7S312X40A1	SCREW SPECIAL	T1 TRS 4*10 SE MFZN	5
F25	3512100900	FOOT	PP DASF-130	2
F26	7S432X4081	SPECIAL SCREW	TT3 TRS 4X8 SE MFZN	1
F27	3515201101	STOPPER HINGE *U	SCP-1 T2.5	1
F28	7S312X40A1	SCREW SPECIAL	T1 TRS 4*10 SE MFZN	1
F29	3512527800	GUIDE AIR	SECC T0.5	1
F30	3512784340	HARNESS MAIN	KOR-6L3B3A49	1
F31	4415A17352	SW MICRO	VP-533A-OF SPNO #187 200G	1
F32	4415A66600	SW MICRO	VP-532A-OF SPNC #187 200G	1
F33	3518571000	SW PUSH	V0303A2 / MP101C	1
F34	4415A66600	SW MICRO	VP-532A-OF SPNC #187 200G	1
F35	3513702600	LEVER LOCK	POM	1
F36	3513818900	LOCK	PP FH44D GP-3152F	1
F37	3513601500	LAMP	BL 125V 25W T25 C5A H187	1
F38	7S312X40A1	SCREW SPECIAL	T1 TRS 4*10 SE MFZN	1
F39	3517211850	MOTOR SYNCRO	SM-16U AS6BSL (SHORT)	1
F40	7S432X4081	SPECIAL SCREW	TT3 TRS 4X8 SE MFZN	2
F41	3517400600	COUPLER	XAREC	1
F42	3511406220	COVER WAVE GUIDE	PP J640A WHITE	1
F43	3512517300	GUIDE ROLLER	PP 5113MF6 A353B	1
F44	3514700710	ROLLER	TEFLON	3
F45	3517203600	TRAY	GLASS	1

NO	PART CODE	PART NAME	DESCRIPTION	Q'TY
A00	3511729900	DOOR AS	KQG-6L353S	1
A01	3512211100	FRAME DOOR	ABS SG-0760D, SG-175	1
A02	3517011010	BARRIER SCREEN *O	TEMP GLASS T3.2	1
A03	3515204120	STOPPER HINGE *T AS	KOR-6L0B1A	1
A04	3511706130	DOOR PAINTING AS	KOR-6L0B1A	1
A05	3517003700	BARRIER SCREEN *I	PE T0.1	1
A06	3512302700	GASKET DOOR	PP	1
A07	3513100700	HOOK	POM	1
A08	3515101300	SPRING HOOK	PW1	1

NO	PART CODE	PART NAME	DESCRIPTION	Q'TY
B00	PKCPSWFMF0	CONTROL-PANEL AS	KOR-6L3B3A49	1
B01	3518572860	SWITCH MEMBRANE	KOR-6L3B1A	1
B02	3516740370	CONTROL-PANEL	ABS VT-0826 AF-348	1
B03	PKMPMSFLL0	PCB MAIN MANUAL AS	KOR-6L3B3A49 (AVANTI)	1
B04	7122401211	SCREW TAPPING	T2S TRS 4X12 MFZN	3
B05	3516917700	BUTTON DOOR OPEN	ABS SG-0760D SG-175	1
B06	441G430171	SPRING BUTTON	SWP DIA. 0.7	1
B07	3513702700	LEVER DOOR OPEN	PP	1