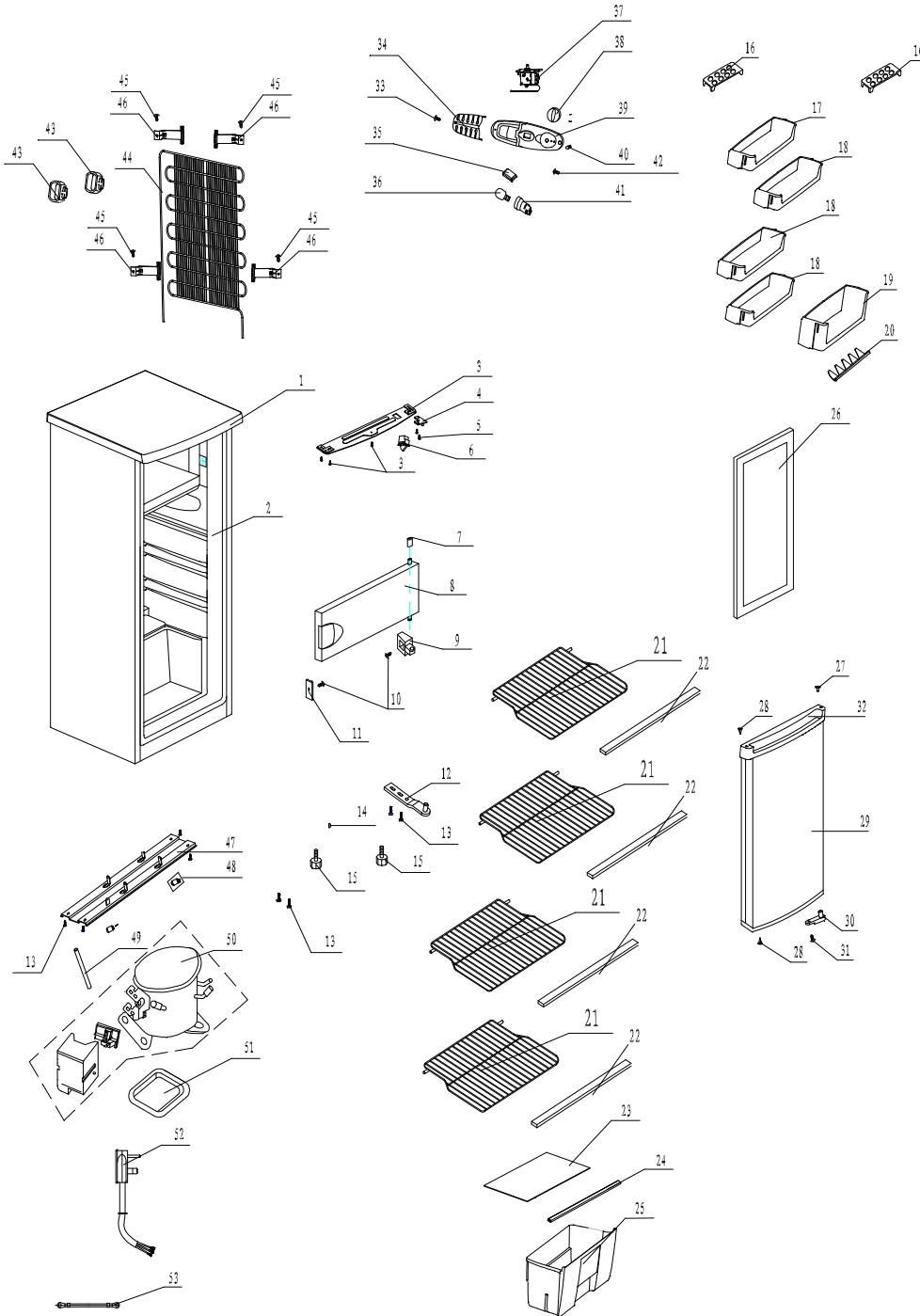


Technical Service Manual



RM806W PARTS LIST		
NO.	PARTS NUMBER	PARTS NAME
1	C0462.1.1-1	TOP
2	C0464.1.1	Cabinet
3	C0462.1-1	TOP PLATE
4	B0333.1-2	UPPER HINGER ASS.
5	BCD-248W.1-12	SCREW
6	B9911.4.1.1	LAMP SWITCH
7	C0415.1-3	UPPER HINGE BUSH
8	C0447.1.2	FREEZER DOOR ASS
9	C0415.1-4	LOWER HINGE BUSH
10	Q/MLK035-1995	SCREW
11	C0415.1.2-4	FREEZER DOOR LOCK
12	C0435.1.2	LOWER HINGER ASS.
13	B0343.1-6	BOLT
14	B0213.1-8	SCREW COVER
15	BCD-185E.1.6	ADJUSTABLE FOOT
16	B0234.5-1	EGG TRAY
17	C0437.5-2	UPPER STORAGE SHELF
18	C0437.5-2	MIDDLE STORAGE SHELF
19	C0437.5-3	BOTTLE STORAGE SHELF
20	B0234.5-6	BOTTLE RETAINER
21	B0333.5-8	WIRE SHELF
22	B0105.5-8	WIRE SHELF PROFILE
23	C0435.5.1-1	CRISPER COVER
24	B0333.5-6	CRISPER COVER PROFILE
25	B0333.5-4	CRISPER
26	C0439.2.2	DOOR GASKET
27	BCD-181C.2.1-4B	HINGE BUSH
28	B0213.2-1	HOLE COVER
29	C0462.2	FOAMED DOOR
30	BCD-185E.2.3-2B	STOPER
31	GB845-85	SCREW ST4.2*13-C-H
32	B0333.2.1-1	Handle
33	GB818-85	SCREW
34	B0172.4-2	LAMP COVER
35	B0239.1-9	THERMOSTAT HOLE COVER
36	BCD-185E.4-4	LAMP
37	C0415.4.1	THERMOSTAT
38	B0172.4-3	THERMOSTAT KNOB
39	B0172.4-1	THERMOSTAT BOX
40	B0172.4-5	HOLE COVER
41	BCD-256.4-6	LAMP SOCKET
42	GB845-85	SCREW ST2.9*16-C-H
43	B0335.5-8	SPACER
44	C0439.3-1	CONDENSOR
45	B0232.3-1	SCREW
46	B0103.3-3	CONDENSOR HOLDER
47	C0435.1-1	COMPRESSOR TRAVERSE
48	BCD-185E.1-38	ROLLER ASS.
49	Q/HBT-040	CHARGE PIPE
50		COMPRESSOR
51	B0039.1-6	WATER TRAY
52	B0175.4.4/F(3)	PLUG
53	BCD-192.4.4	EARTH CABLE