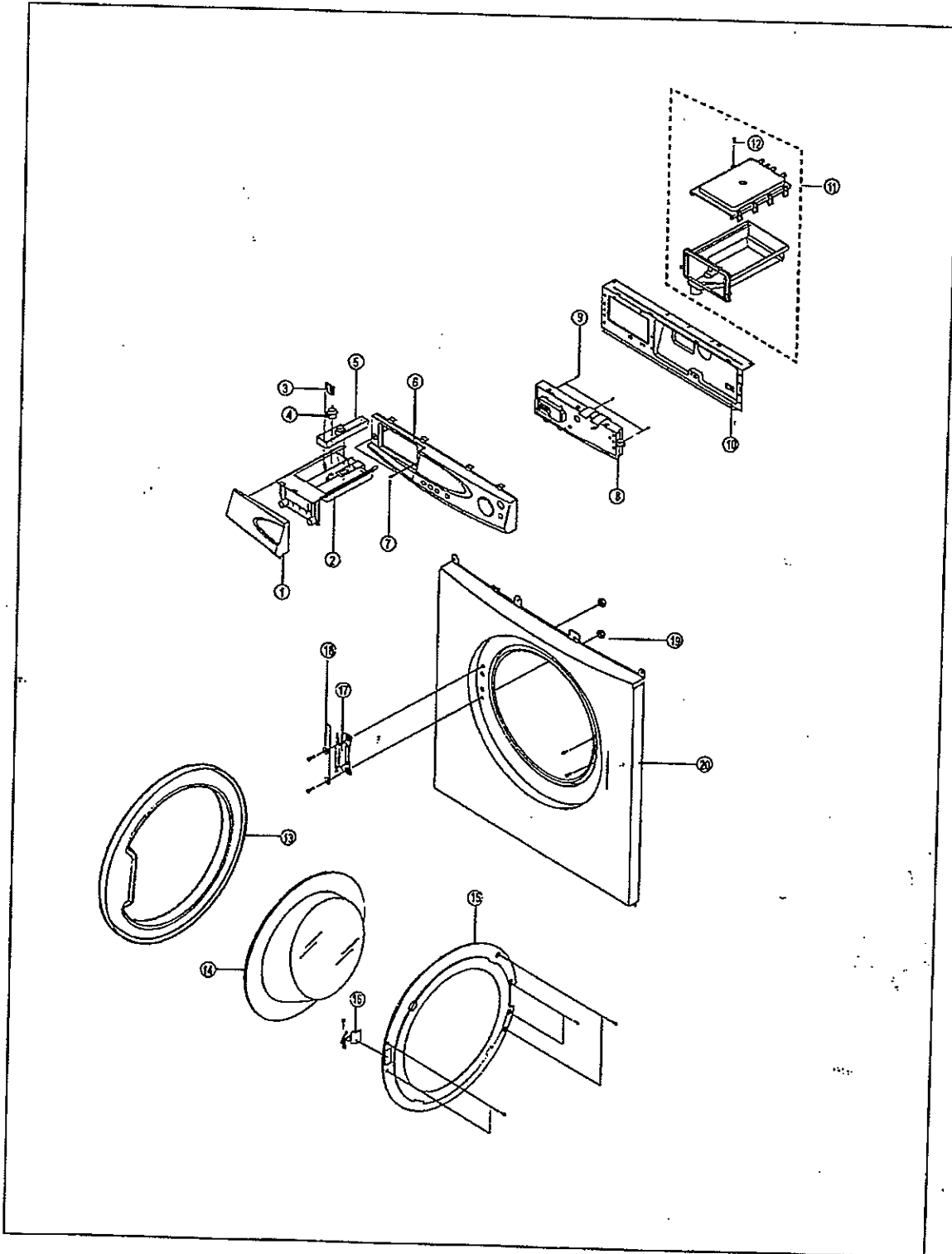


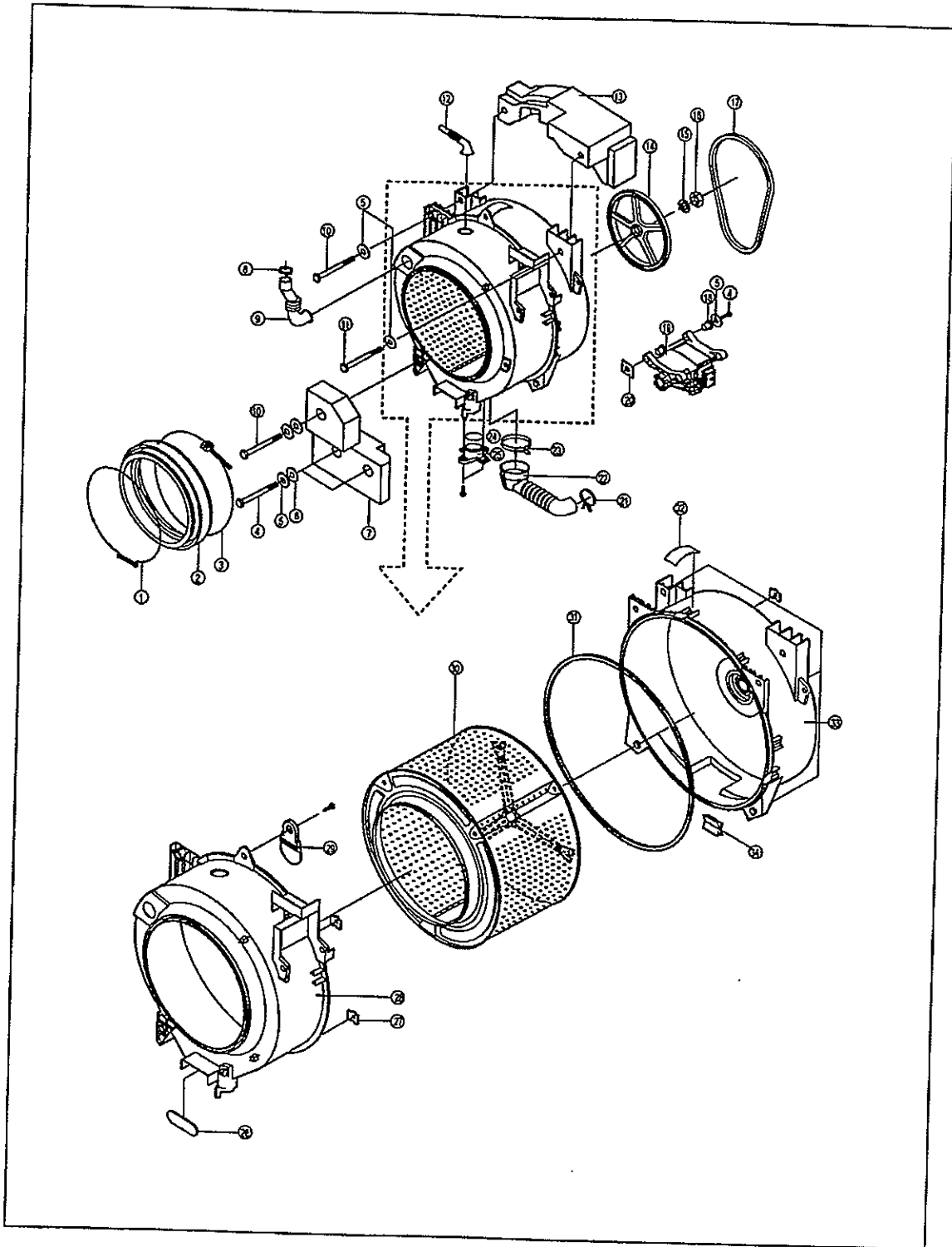
W 1092 F  
Parts Breakdown



### Parts List

NO	Part Code	Code No	Qty	Description	Specification	Remark
1	WCD01	DC97-00891K	1	ASSY-PANEL FRONT	PANEL-DRAWER+ INLAY	LIGHT/GRY
2	WCD02	DC61-30348A	1	BODY-DRAWER	PP,WHT	
3	WCD03	DC61-60498A	1	GUIDE-LIQUID	ABS	
4	WC005	DC61-10687A	1	CAP-RINSE	PP,WHT	
5	WC006	DC97-01160A	1	ASSY-COVER DRAWER	P1092,PP/BLEACH-CASE	
6	WC001	DC97-01091G	1	ASSY-PANEL CONTROL	ENG,W1092F/AVANTI	
7	WZ001	6002-000445	2	SCREW TAPPING	TH,+2S,M4,L18,NTR,STS304	
8			1	ASSY PCB PARTS		
9	WZ001	DC60-20049A	3	SCREW TAPPING	PH,+2,D4,L12	
10	WCD04	DC97-00417A	1	ASSY-FRAME PLATE(U)	FRAME-PLATE(U)	
11	WCD05	DC91-12085A	1	ASSY-HOUSING DRAWER		
12	WZ001	DC60-20049A	1	SCREW TAPPING	PH,+2,D4,L12	
13	WCD07	DC61-00055A	1	COVER-DOOR	ABS,WHT,DANBY	
14	WCD08	DC61-00013A	1	DOOR-GLASS	GLASS,NTR	
15	WCD09	DC61-00057A	1	HOLDER-GLASS	ABS(HG-0760),WHT,DANBY	
16	WCD10	DC66-00016A	1	LEVER-DOOR	POM,NTR,DANBY	
17	WCD11	DC97-00100A	1	ASSY-HINGE	NH+CR	
18	WZ008	DC60-60025C	2	WASHER-PLAIN	PVC,ID5.5,OD10,T1	
19	WZ016	DD60-50018A	2	NUT-FLANGE	M5XP0.8,FZY,MSWR10	
20	WCD12	DC97-00702A	1	ASSY-FRAME FRONT	ROUND-TYPE	

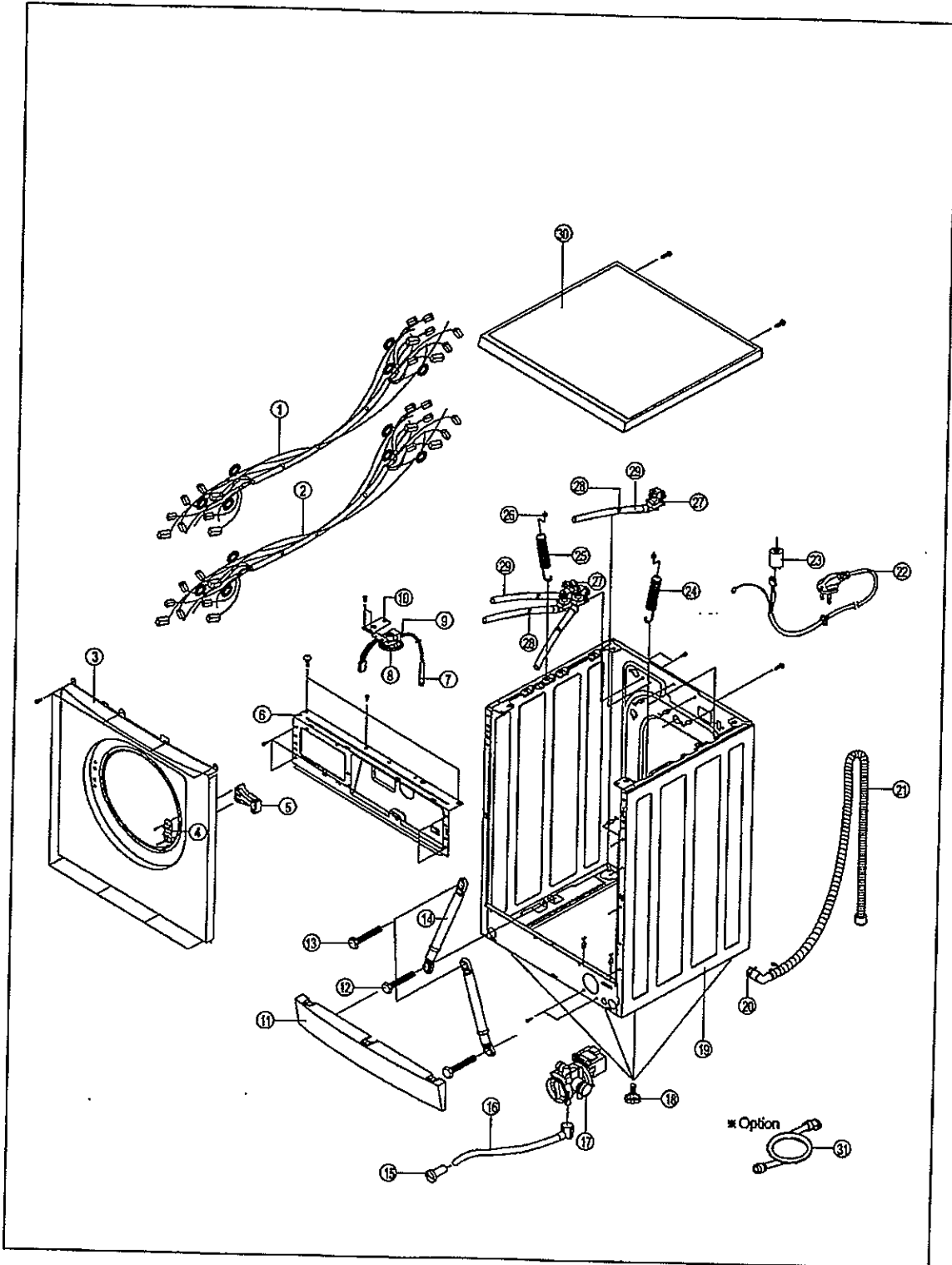
# Parts Breakdown



### Parts List

NO	Part Code	Code No	Q'ty	Description	Specification	Remark
1	WDD01	DC91-12078A	1	ASSY-WIRE DIAPHRAGM	FRAME-FRONT	
2	WDD02	DC61-20219A	1	DOOR-DIAPHRAGM	EPDM,GRY	
3	WDD03	DC97-00850A	1	ASSY-CLAMP DIAPHRAGM	TUB	
4	WDD04	DC60-40138A	3	BOLT-W.MOTOR	SM10C,HEX,M8,L62	
5	WZ008	DC60-60044B	6	WASHER-PLAIN	SBC,ID8.4,OD30,T3	
6	WZ009	DC60-60040A	3	WASHER-NYLON	ID10.5,OD32,T2,-,PBSP-1/2H	
7	WDD05	DC66-60154A	1	WEIGHT-BALANCER(L)	CONCRETE,LOWER	
8	WZ010	DC65-60125A	1	BAND RING	HSWR,YEL,W38.5,T2.4	
9	WDD06	DC62-10305A	1	HOSE-DRAWER TUB	EPDM,ID35,BLK,L158	
10	WZ011	DC60-40140A	2	BOLT-HEX	WEIGHT-UL/SM10C,HEX,M8,L147	
11	WZ012	DC60-40132B	1	BOLT-FLANGE	M8,L210,ZPC2(YEL),SS41C	
12	WD007	DC62-10303A	1	HOSE-AIR	EPDM,ID24,BLK,L130	
13	WDD07	DC66-60153A	1	WEIGHT-BALANCER(U)	CONCRETE,UPPER	
14	WD006	DC66-10176B	1	PULLEY	ALDC,-,D297,ID12.5	
15	WZ014	DC60-60049A	1	WASHER-SPRING	ID10.5,OD18,T2.5,-,SIR	
16	WZ013	DC60-50148B	1	NUT-HEX	SM20C(NYLON),M12,-,-ZPC3(YEL)	
17	WD008	DC66-10139B	1	BELT-TRANSMISSION	RUBBER,POLY-V J5,	
18	WDD08	DC61-00041A	1	CUSHION-MOTOR	BUTYL,ID16/OD20	
19	WDD09	DC31-00002D	1	MOTOR-DRUM	100-120V,50/60HZ,61MM	
20	WZ013	DC60-50156A	1	NUT-HEX	SM10C,-,M8,-,ZPC2(YEL)28X18.5,	
21	WZ010	DC65-60118F	1	BAND RING	PW1,YEL,-,PI/33	
22	WDD10	DC62-10304A	1	HOSE-FILTER TUB	EPDM,ID65,BLK,L151	
23	WZ015	DC61-60497A	1	CLAMP-HOSE	HSWR,ID70/OD75.8(TUB)	
24	WDD11	DC62-40184A	1	PACKING-TRAP	EPDM,BLK	
25	WD009	DC61-10676A	1	CAP-TRAP	PP(TB53)	
26	WDD22	DC61-00140A	1	CAP-TUB	EPDM,BLK,SQ1291	
27	WDD13	DC61-30346B	1	TUB-FRONT	FRPP(GR30%),IVORY	
28	WDD14	DC61-40348B	5	BRACKET-NUT	SBHG-R,T3,	
29	WDD17	DC62-20311A	1	VANE-CHECK	EPDM,BLK	
30	WDD18	DC91-12281A	1	ASSY-DRUM	1000 ±1100RPM/STS	
31	WDD19	DC62-40183A	1	PACKING-TUB	EPDM,BLK	
32	WDD20	DC61-60499B	8	CLIP-TUB	HSWR	
33	WDD21	DC97-00214G	1	ASSY-TUB BACK	BACK/LOW-RPM	
34	WDD20	DC61-60520A	1	CLIP-TUB	PLATE-TYPE	

# Parts Breakdown



### Parts List

No.	Part Code	Code No	Qty	Description	Specification	Remark
1	WA006	DC96-00173A	1	ASSY-M.WIRE HARNESS	HOT+COLD	
2	WA007	DC96-00174A	1	ASSY-WIRE HARNESS	SUB	
3	WCD12	DC97-00702A	1	ASSY-FRAME FRONT	ROUND-TYPE	
4	WED05	DC61-60142A	1	GUIDE-LEVER	POM,WHT	
5	WAD01	DC61-20205B	1	DOOR-LOCK SW		
6	WCD04	DC97-00417A	1	ASSY-FRAME PLATE(U)	FRAME-PLATE(U)	
7	WED04	DC62-10311A	1	HOSE-PRESSURE	EPDM,ID13.5,BLK	
8	WA002	DC32-30006P	1	SENSOR PRESSURE	DN-S14,TERMINAL-TYPE(DC5V)	
9	WZ015	DC61-60359D	1	CLAMP-HOSE	HSWR	
10	WED05	DC61-40345A	1	BRACKET-PRESSURE	GI or GA,T1	
11	WED06	DC61-10672A	1	COVER-FRONT(L)	PP(BJ-730),WHT	
12	WZ011	DC60-40144A	2	BOLT-HEX	M10,L41,ZPC2(YEL),DAMPER	
13	WZ011	DC60-40141A	2	BOLT-HEX	M10C/DAMPER,HEX,M8,L66	
14	WED07	DC66-60149A	2	DAMPER-SHOCK	80N	
15	WED08	DC61-10673A	1	CAP-DRAIN	PP(TB53),WHT	
16	WD108	DC62-10302A	1	HOSE-DRAIN	EPDM,ID5.5,BLK,L220,OD9.5	
17	WA003	DC96-00149D	1	ASSY-PUMP DRAIN	120V/60HZ	
18	WE005	DC91-12292A	4	ASSY-LEG		
19	WED09	DC99-00061A	1	ASSY-PAINT FRAME	H+C/P+HOLE-LOWER	
20	WZ010	DC65-60125B	1	BAND RING	HSWR,YEL,PI25,T2.4	
21	WZ005	DC97-00139B	1	ASSY-HOSE DRAIN(O)	PP(BB110)2200	
22	WA001	DC90-00038E	1	ASSY-POWER CORD	125V/13A/EP3	
23	WAD02	DC29-90001A	1	FILTER-EMI	FA-215T2-D,250V15A,50/60Hz	
24	WED10	DC61-70217C	2	SPRING-HANGER	HSWR,CD3.2,-,L175	
25	WED10	DC61-70216C	1	SPRING-HANGER	SWR,CD3.5,-,L175	
26	WED11	DC61-60180A	3	SLEEVE-PLUG	NYLON#6,NTR	
27	WA009	DC62-30309J	1	VALVE-WATER	#187,EATON(COLD)	
27	WA009	DC62-30310R	1	VALVE-WATER	#187,(HOT)	
28	WZ015	DC61-60063B	6	CLAMP-HOSE	SK5,-,YEL	
29	WED12	DC62-10068A	3	HOSE-DRAWER	SOFT-PVC,ID10,NTR,L350	
29	WED12	DC62-10287A	1	HOSE-DRAWER	PVC,ID10,NTR	
30	WCD13	DC97-00851A	1	ASSY-COVER TOP	WOOD/WHT+GRAY-DOT	
31	WZ007	DC97-01298A	1	ASSY-HOSE WATER	W751SC,1.5MT/METER/COLD	OPTION
31	WZ007	DC97-01298B	1	ASSY-HOSE WATER	W751SC,1.5MT/METER/HOT	OPTION

# Wiring Diagram

