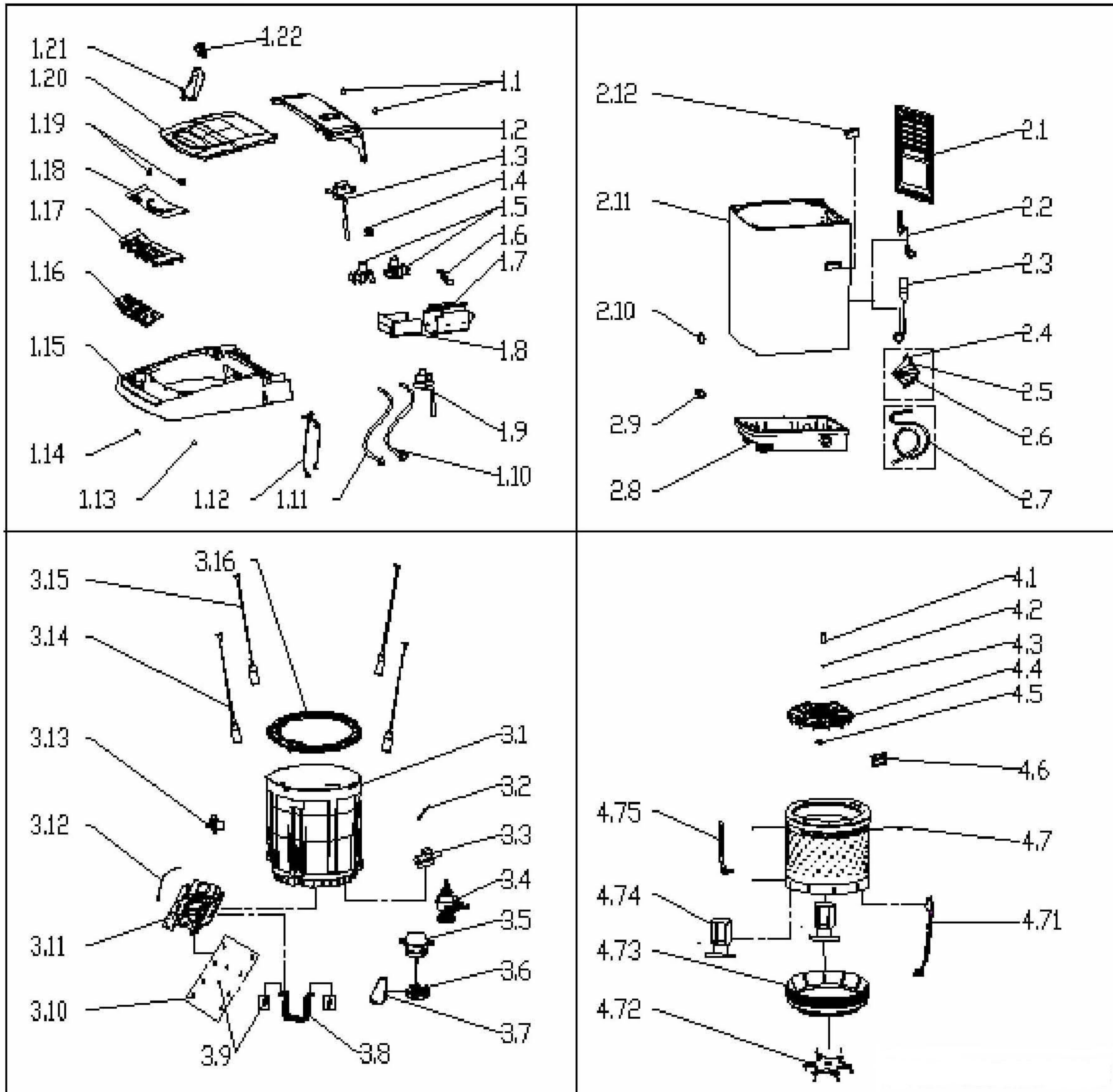


# Exploded View Parts for Model

Sale model: W511  
 Factory model: XQB50-1018GPS  
 ProdCode: 329020500100  
 Power Supply: 120V~ 60Hz 1Phase



No.	Part Name	Quantity	BOM code
1.1	INLET VALVE RUBBER WASHER	2	302720300006
1.2	BACK CONTROL PANEL	1	301120570507
1.3	LID SWITCH	1	302420500021
1.4	INLET VALVE COVER	1	301120570527
1.5	WATER INLET VALVE	1	302420570471

1.5	WATER INLET VALVE	1	302420570472
1.6	WATER INLET HOSE	2	302720570004
1.7	NOZZLE SUBASSEMBLY	1	301120570461
1.8	DRAWER	1	301120570512
1.9	WATER LEVEL SENSOR	1	302420500111
1.10	WATER INLET HOSE (COOL)	1	302720300030
1.11	WATER INLET HOSE (WARM)	1	302720500036
1.12	INTERNAL WIRE ASS'Y	1	302420570077
1.13	Gradienter	1	
1.14	LID PIN	1	301120600115
1.15	TOP COVER	1	301120570458
1.16	PCB	1	301320570076
1.17	FRONT CONTROL PANEL	1	301120570463
1.18	CONTROL PANEL STICKER	1	302020570454
1.19	HOLE COVER	1	301120550137
1.19	HOLE COVER	1	301120550136
1.20	LID ASS'Y	1	301120570464
1.21	COVERING WATER BOARD	1	301120570460
1.22	DOOR LOCK	1	302421670010
2.1	REAR COVER PLATE	1	301120570465
2.2	POWER CORD	1	302420770008
2.3	MOTOR CAPACITOR SUBASSEMBLY	1	302420570078
2.4	FUSE SUBASSEMBLY	1	302420570444
2.5	INSULATING CONNECTOR	6	301120570466
2.5	INSULATING CONNECTOR	1	301120570467
2.6	UPER DRAIN PIPE KIT	1	301120800172
2.7	DRAIN HOSE SUBASSEMBLY	1	301120450074
2.8	BASE KIT	1	301120570511
2.9	MIDDLE PIPE tie-in	1	301120350061
2.10	HOLE COVER	1	301120570533
2.11	CABINET	1	301220400011
2.12	HANDLE	2	301119950035
3.1	OUTER TUB	1	301120570457
3.2	Connector Assembly		
3.3	MOTOR RETRACTOR	1	302420570079

3.4	CLUTCH	1	302920450013
3.5	MOTOR	1	302420570080
3.6	DRIVING PULLEY KIT	1	302920850004
3.7	V-BELT	1	302720400005
3.8	BRACKET	1	301120400199
3.9	SPECIAL TAPPING SCREW	4	302500200056
3.10	SPECIAL TAPPING SCREW	12	302500200057
3.11	BASE PLATE	1	301220400016
3.12	EARTH WIRE	1	302420570470
3.13	DRAIN PUMP	1	302420570081
3.14	FRONT SUSPEND SYSTEM	2	302920400017
3.15	REAR SUSPENTION SYSTEM	2	302920400018
3.16	OUTER TUB COVER	1	301120450061
4.1	Impller cover	1	
4.2	PULSATOR SCREW	1	302500200053
4.3	T. L. WASHER	1	302520300015
4.4	PULSATOR	1	301120350064
4.5	PULSATOR ADJUSTINGWASHER	2	302520300013
4.6	Filter Holder Assembly		
4.7	INNER TUB KIT	1	301220570042
4.7.1	FILTERING COVER	1	301120500268
4.7.2	FLANGE	1	302920550039
4.7.3	BOTTOM OF INNER TUB	1	301120400410
4.7.4	WATERFALL COVER	1	301120400335
4.7.5	Jet Cover Componets		