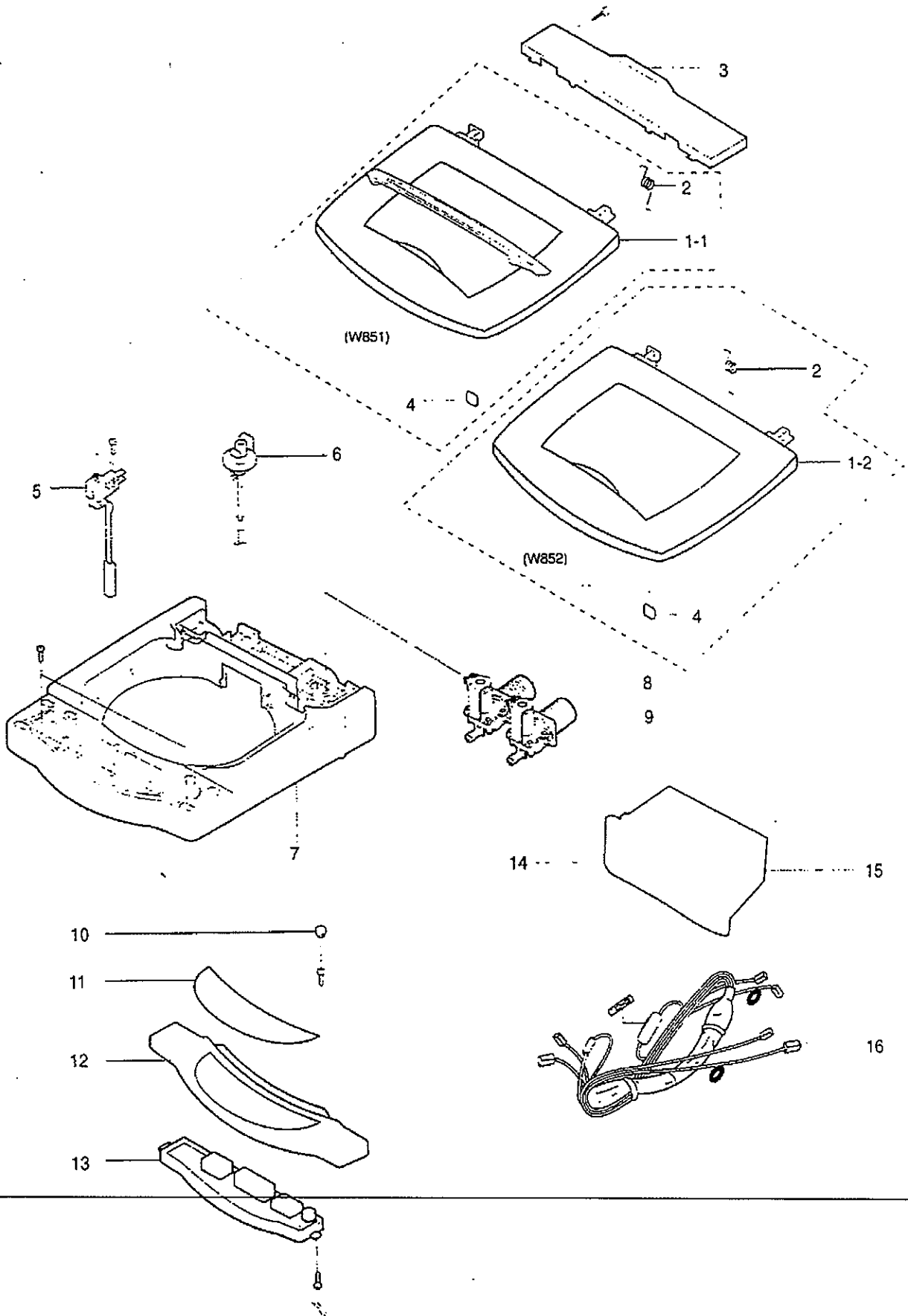




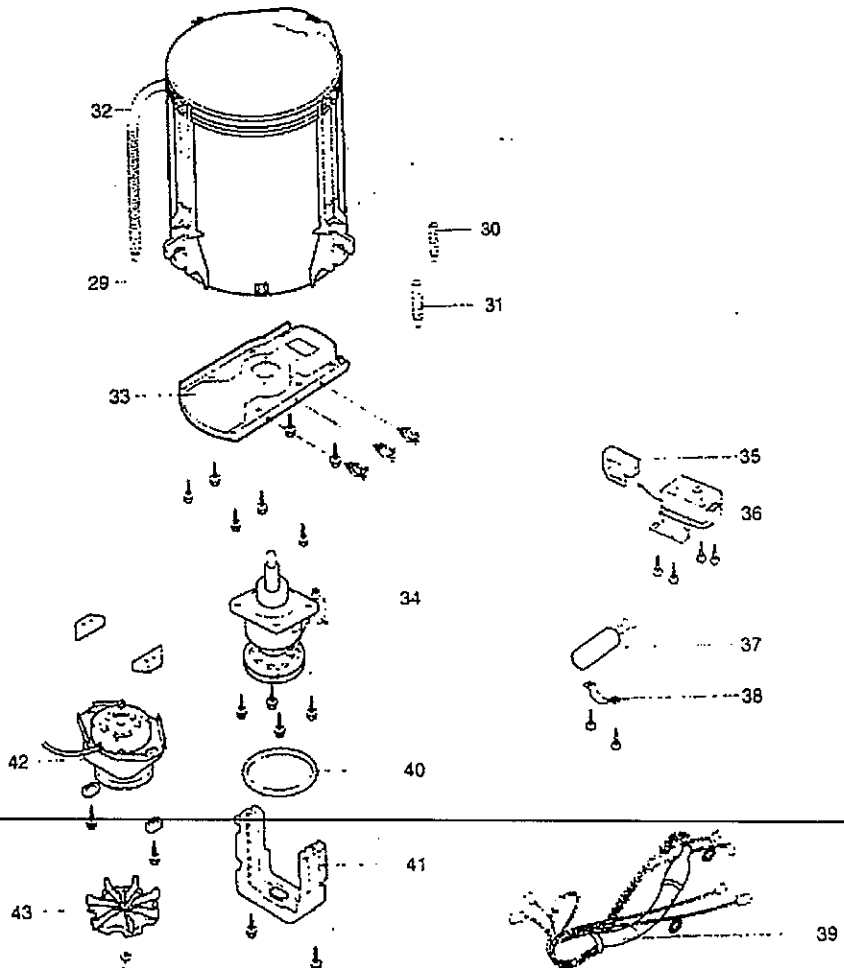
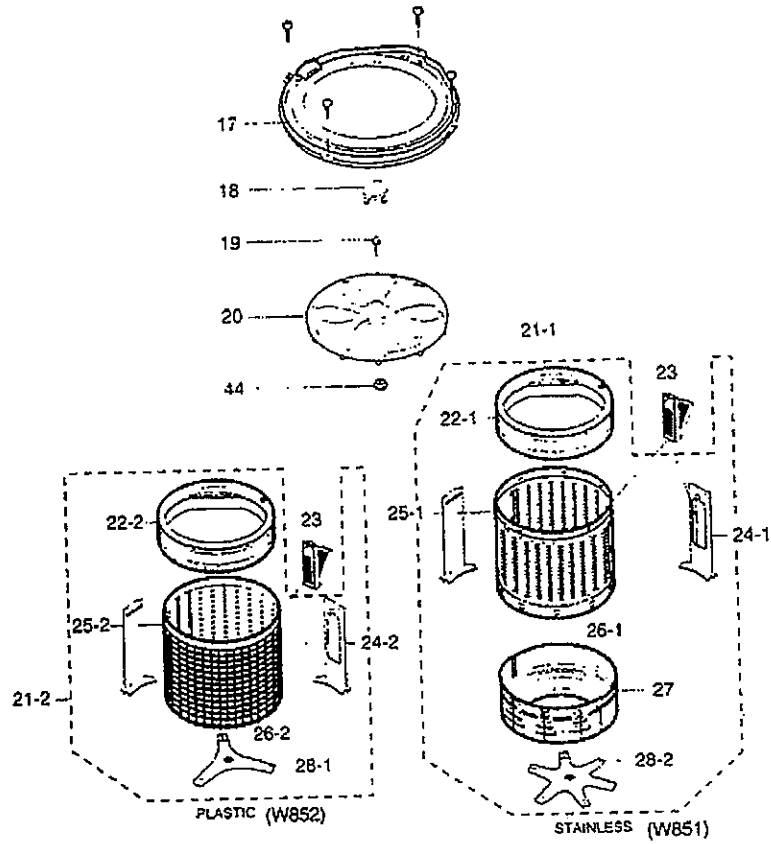
W 851

Parts Breakdown



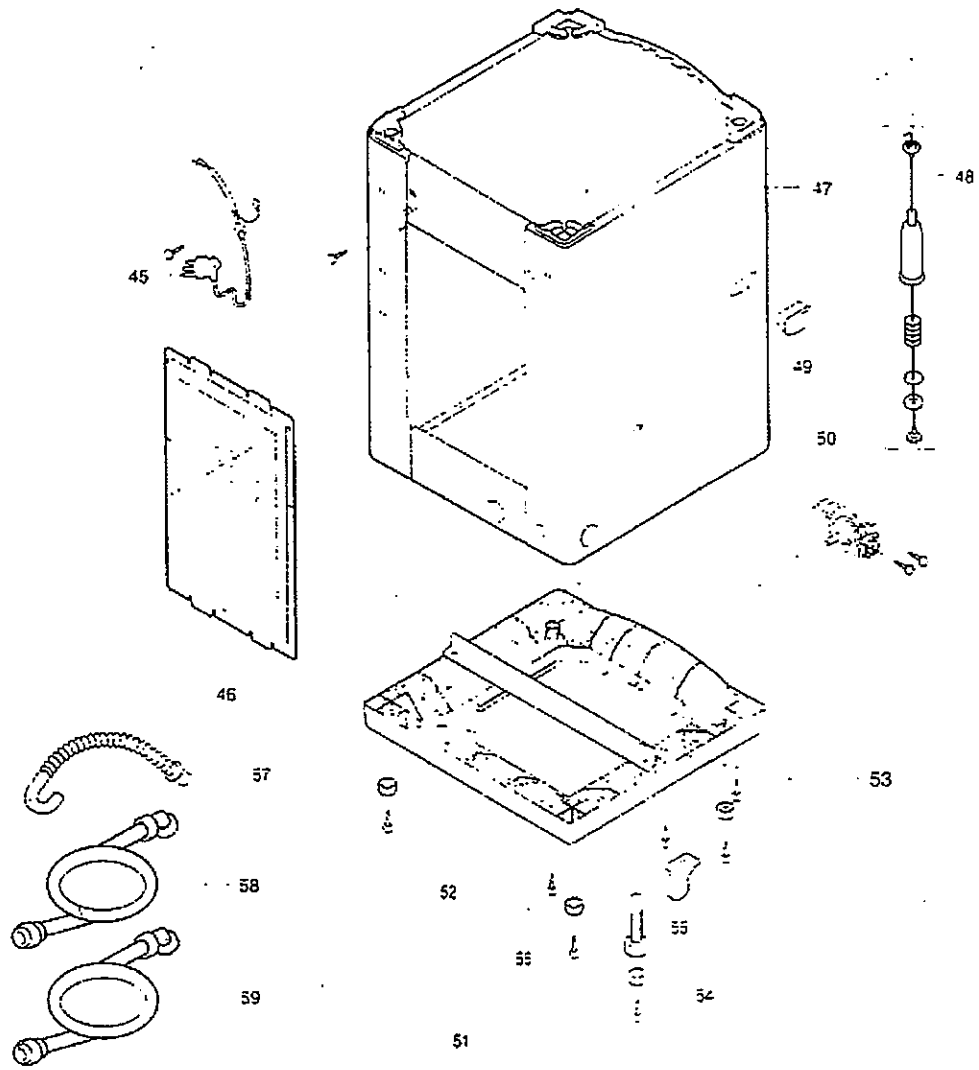
2

Parts Breakdown



Parts Breakdown

(B)



Parts List

Location No.	Code No.	Description	Specification	Qty	Remarks
1-1	DC97-01750P	ASSY-LID T.C	W851/W852.S/WHT(POWER/DRUM)	1	
1-2	DC97-01751K	ASSY-LID T.C	W852DW/YML,SNOW:WHT(NO-PRINT)	1	
2	DC61-00343A	SPRING-Q(R):	KS-PJT,STEEL WIRE.CD2.0...	1	
3	DC63-00283E	COVER-T.C	W851/W852.ABS.....AVANT:SNOW/WHT:NO-PRINT	1	
4	DC61-60044J	CUSHION-LID:	SW-46J1.NBR.....T5.5-LIGHT	6	
5	DC90-10104K	ASSY-CHECKER S/W:	WA7564C0.5KG/STANDARD/1	1	
6	DC32-30006T	SENSOR PRESSURE:	DN-S18...5KG/STANDARD,	1	
7	DC63-00124G	COVER-TOP:	WA7064C1.ABS...SNOW/WHT.NON-	1	
8	DC62-30310K	VALVE-WATER:	SW70AI,PP.....110-120V/50-	1	
9	DC62-30310M	VALVE-WATER:	SW70AI,PP.....110-120V/50-	1	
10	DC61-10331P	COVER-SCREW:	-.ABS.....WHT,SW-5A1	1	

Parts List

Location No.	Code No.	Description	Specification	Q'ty	Remarks
11	DC64-00287G	INLAY-PANEL	W851/W852.PET. SNOW/WHT.AVANTI/OEM	1	
12	DC63-00185F	PANEL-CONTROL	W851/W852.ABS(V0)..... SNOW/WHT.KS6/INLAY/UL-AVANTI	1	
13	MF-KS6AVT-09	ASSY PCB PARTS	MF-KS6AVT-09	1	
14	DC63-00125F	CASE-DETERGENT:	WA7064C1DW/YE.ABS.....	1	
15	DC97-01838A	ASSY-BODY DETERGENT:	SEOUL-PJT.BACK-TPYE	1	
16	DC96-00433A	ASSY-M.WIRE HARNESS	W851/AVANTI.H-C(REED-S/W)UL1015	1	
17	DC61-00129A	COVER-TUB:	PP.P-COOL/GRY.G6-NEW/6KG	1	
18	DC66-00032A	PULSATOR-CAP:	ABS.PEACOCK/GRN.SEW-G6/G8.-	1	
19	DC60-00004A	BOLT-PULSATOR:	-.HEX.M6.L20.5.-.-SW70A1.	1	
20	DC66-50194D	PULSATOR:	PP.LIGHT/GRY.SEW-M550.HI50S.-	1	
21-1	DC97-00155R	ASSY-S.BASKET SPIN:	WA8540D0/R6.M-FILTER{	1	
21-2	DC97-00113F	ASSY-S.BASKET	SPIN SW70C1(PP).M-FILTER(P/GRY)3WING	1	
22-1	DC97-01807A	ASSY-BALANCER:	SW-R6.R6-PJT	1	
22-2	DC97-00033A	ASSY-BALANCER	SEW-G6.1.18/1960GR	1	
23	DC97-00114F	ASSY-FILTER:	G6.ABS/GRN	1	
24-1	DC61-00336A	GUIDE-W.F(P):	WA8065D1.PP.....R6-PJT	1	
24-2	DC61-60524A	GUIDE-W.F(P)	SW70A1(G6).SHV-745CC1,SSEC.....N/GRY(FALL)	1	
25-1	DC61-00337A	GUIDE-W.F(F):	WA8065D1.PP.....R6-PJT	1	
25-2	DC61-60525A	GUIDE-W.F(P)	SW70A1(G6).TN-5630T,SSEC.....N/GRY(FILTER)	1	
26-1	DC61-00333A	BASKET-WRAPPER	WA8065D1.STS430.-.-.T0.5	1	
26-2	DC61-30123A	BASKET-SPIN	PANTONE-CO.-.-.-SW-5A1	1	
27	DC61-00335A	BASKET-BOWL	WA8065D1.PP.....R6-PJT	1	
28-1	DC66-40010A	FLANGE-SHAFT:	-.ALDC.-.-.-SW-5A1	1	
28-2	DC66-00046B	FLANGE-SHAFT	SW70D1.-.ALDC.....ID- PROCESS	1	
29	DC61-00128A	TUB-OUTER:	-.PP.-.-.NTR.G6-NEW/6kg	1	
30	DC62-10293A	HOSE-DRAIN	-.EPDM.-.-.-L245.BLK.SW-5C1P	1	
31	DC62-10092C	HOSE-PUMP	-.EPDM.ID30.-.-.L349.5.BLK.SW-5C1P	1	
32	DC62-00020B	HOSE- O.F:	-.LDPE.ID18,OD22 L560	1	
33	DC61-70063A	DIE-MOTOR:	-.SBHG1.-.-.-T1.6	1	
34	SCA-06RPHF21	ASSY-CLUTCH:	SCA-06RPHF21	1	
35	DC66-00140A	LINK:	SEM-AM550.PP+TALC30%.....NTR.-	1	
36	DC31-20014D	MOTOR DRAIN:	KD-SM11TB.100-120V.50-60HZ(B	1	
37	DC62-00015G	CONDENSER-M.F	DAL-2EJ03D,UL CAN TYPE.....D40,L75.....250VAC 30MFD	1	
38	DC61-40077A	HOLDER-CONDENSER:	PP.-.-.NTR	1	
39	DC96-00322A	ASSY-WIRE HARNESS:	MC(G6).SUB/REC/PUMP	1	
40	DC66-10170B	BELT-V:	RUBBER.M21.6.L596.SEW-950.-	1	
41	DC61-40053B	SADDLE:	T1.0,EGI.-.-.-SW-5A1	1	
42	DC31-10025W	MOTOR-WASHING:	WAS161WQSA,SW-70X1.-.60HZ.	1	
43	DC66-10175A	PULLEY-MOTOR:	ALDC.M20.PCD41.8.SW80W1P.60	1	
44	DC60-50004A	NUT-SPIN:	1C.M24.-.ALDC.-	1	
45	DC96-00038B	ASSY-POWER CORD	W752P.HOUSING-TYPE(SAMIL)125V/10A(UL/CSA)	1	
46	DC63-00232A	COVER-BACK:	WA7564CO.SBHG-A.T0.4.-.-.KS6-	1	
47	DC99-00087A	ASSY-PAINT:	W751SC:AVANTI.GE-WHT.HANDLE/P	1	
48	DC97-00121B	ASSY-DAMPER:	SW70C1.REAR	2	
49	DC61-20018Q	HANDLE:	PP(BJ-730).....SNOW/WHT.WS7000.	2	
50	DC96-00256C	ASSY-PUMP DRAIN:	GE.(120V/60Hz)COVER	1	
51	DC97-00398N	ASSY-BASE	W851DW/YML(KS6).CASTER(NIGHT/GRY)	1	
52	DC61-00163A	BASE:	-.PP.-.-.SYSTEM/GRY.SW70D1	1	
53	DC61-00243A	GUIDE-FRAME(R)	W752/W751S.CR(SCP1).....T2.3XW21XL535	1	
54	DC97-00170A	ASSY-LEG:	SW70A1P.PP+RUBBER(70HS)	1	
55	DC61-40077A	HOLDER CONDENSER	PP	1	
56	DC61-50015B	LEG-RUBBER:	BUTYL.SW70A1.BLK	3	
57	DC97-00139C	ASSY-HOSE DRAIN(O)	SW65ASP2/SW55APP2.PUMP-TYPE	1	
58	DC97-01298A	ASSY-HOSE WATER	W751SC.1.5MT/METER/COLD	1	
59	DC97-01298B	ASSY-HOSE WATER	W751SC.1.5MT/METER/HOT	1	