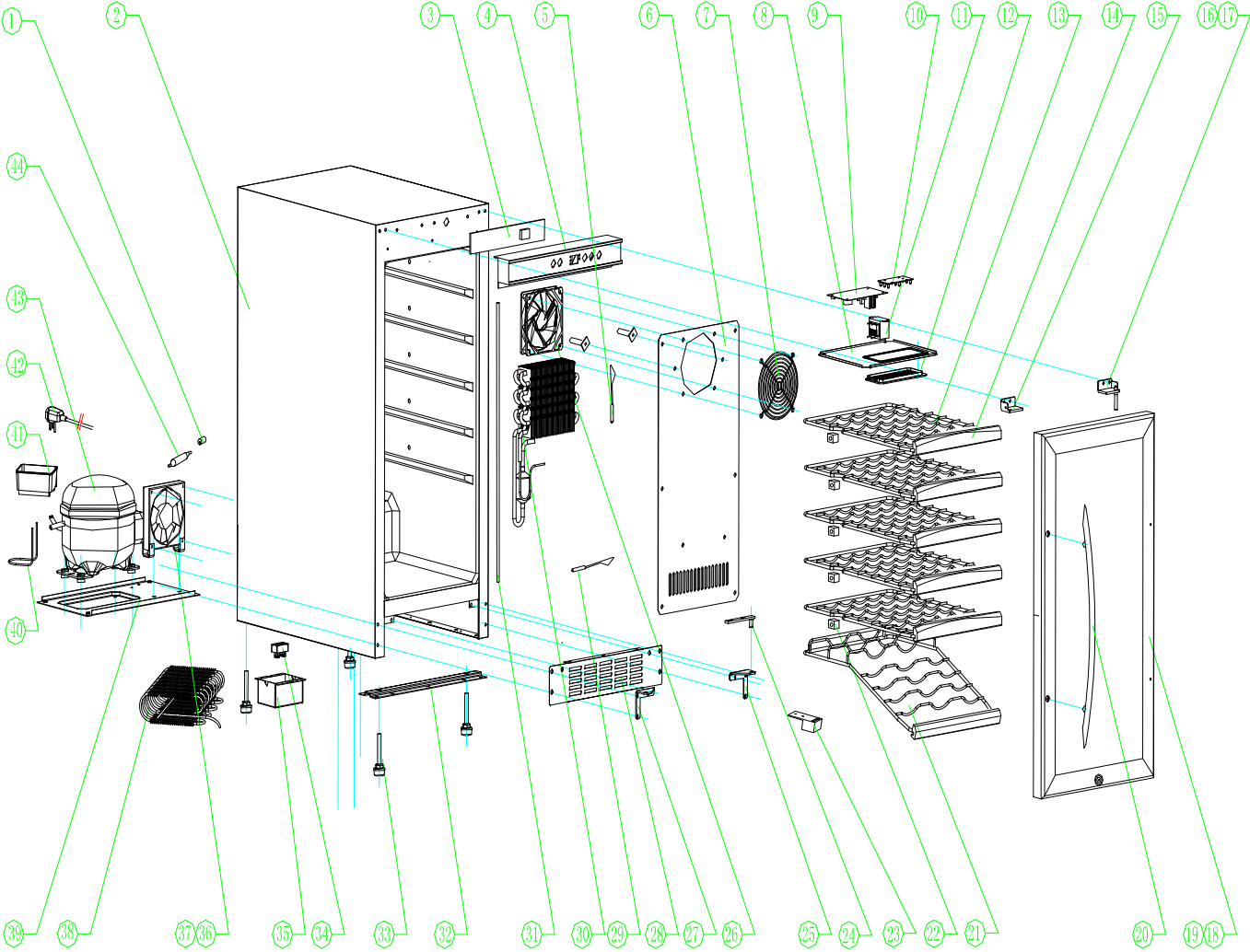


WC150DSS Exploded View



WC1500DSS Parts List

No.	Part No.	Description	Q'ty
1	DG13-24	Anti-vibration Block	1
2	DG23-1065	Cabinet	1
3	DG3-1007.1	Display PCB	1
4	DG13-1047	Top Insert	1
5	DG8-8	Thermistor 1	1
6	DG22-1019.1	Air Duct Cover	1
7	DG19-1	Fan Guard	1
8	DG22-502	Top Cover	1
9	DG3-1007	Main PCB	1
10	DG3-1001.1	LED Light	1
11	DG6-3	Transformer	1
12	DG13-5	Light Cover	1
13	DG15-1044	Large Shelf	5
14	DG15-1044.1	Wood Front Insert	6
15	DG22-1062	Left Upper Door Hinge	1
16	DG22-1063	Right Upper Door Hinge	1
17	DG22-1064	Rod	1
18	DG23-1023.2	Glass Door	1
19	DG23-1023.3	Door Gasket	1
20	DG14-1029.2	Handle	1
21	DG15-1043	Bottom Shelf	1
22	DG13-7	Plastic Post	12
23	DG14-1005.1	Lock Frame	1
24	DG14-1014	Lower Door Hinge	1
25	DG14-1012.1	Right Lower Door Hinge Supporter	1
26	DG7-3	Evapoartor Fan Motor	1
27	DG14-1013.1	Left Lower Door Hinge Supporter	1
28	DG22-1065.2	Bottom Grille	1
29	DG8-501	Thermistor 2	1
30	DG12-16	Evapoartor	1
31	DG12-1005	Sunction Pipe Assembly	1
32	DG22-1016.1	Reinforcing Bracket	1
33	DG13-508	Leg	4
34	DG11-2	Terminal	1
35	DG13-2	Junction Box	1
36	DG7-2.1	Condenser Fan Motor	1
37	DG14-56	Motor Supporter	2
38	DG12-3	Condenser	1
39	DG22-1015.1	Compressor Base	1
40	DG12-7	Connecting Pipe	1
41	DG13-1	Water Drip Tray	1
42	DG2-1	Power Supply Cord	1
43	DG1-1003	Compressor	1
44	DG11-4	Dry Filter	1