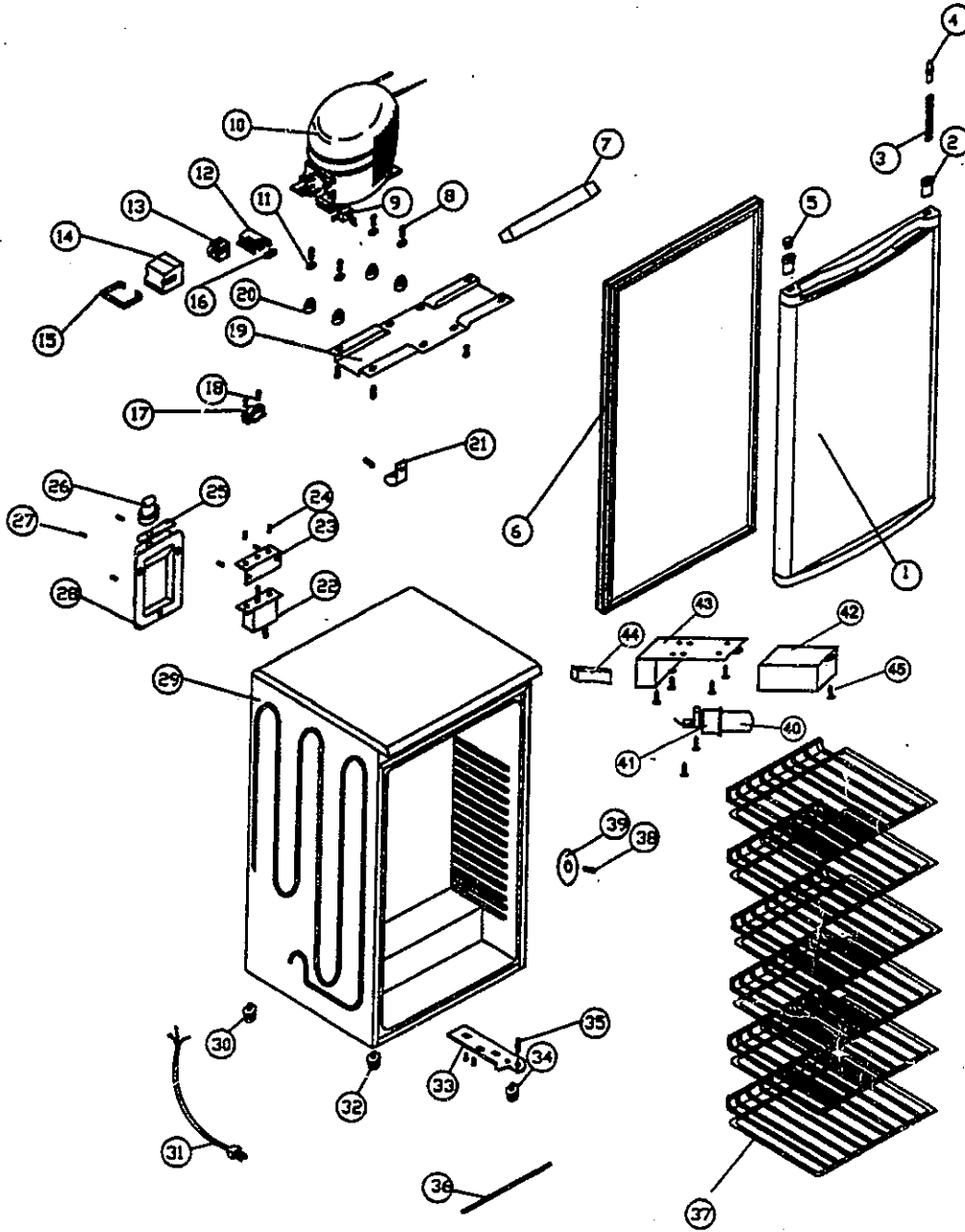


Kelon - qq'

WC400YGB PARTS BREAKDOWN



WC400YGB PART LIST			
NO.	DESCRIPTION	PART NO.	PRICE / USD.
1	DOOR	1005142 - 33	9.80
2	ADJUSTABLE CASEMENT	150355	0.05
3	SPRING	120825	0.05
4	DOOR UPPER AXIS	120237	0.06
5	AXIS COVER	210999	0.05
6	DOOR GASKET	160127	1.55
7	DRYER	160621	0.76
8	COMPRESSOR BOLT	COMP. ACCESSORY	
9	EARTH PLATE	COMP. ACCESSORY	
10	COMPRESSOR	1304150	24.70
11	COMPRESSOR BOLT WASHER	COMP. ACCESSORY	
12	CORD CLAMP	COMP. ACCESSORY	
13	PTC RELAY	COMP. ACCESSORY	
14	PROTECT RELAY	COMP. ACCESSORY	
15	RELAY COVER RETAINER	COMP. ACCESSORY	
16	CORD CLAMP B	COMP. ACCESSORY	
17	POWER SUPPLY WIRE UPPER CLAMP	10525 - 23	0.05
18	POWER SUPPLY WIRE LOWER CLAMP	10526 - 23	0.05
19	COMPRESSOR BASE	110883	0.92
20	RUBBER GROMMET		0.05
21	DRYER CLAMP	1203171	0.05
22	THERMOSTAT	1411438	2.60
23	THERMOTAT SUPPORTER	1102136	0.08
24	SCREW	GB818 - 85	
25	CONTROL PANEL	1902222	0.29
26	CONTROL KNOB	141010 - 33	0.05
27	SCREW	GB845 - 85	
28	THERMOSTAT BOX	1401134	0.83
29	CABINET	1001491 - 33	39.76
30	BASE FOOT	110860 - 33	0.05
31	POWER SUPPLY CORD	1501342	1.28
32	FOOT <i>FIXED</i>	11048 - 33 - <i>B</i>	0.06
33	DOOR LOWER HINGE	1204128	0.25
34	ADJUSTABLE <i>FOOT</i>	11046 - 33 <i>B</i>	0.07
35	DOOR LOWER AXIS	1204127	0.35
36	ROD BAR	110316	0.08
37	SHELF	2105109	1.31
38	SCREW	GB845 - 85	
39	SENSOR COVER	1107307 - 2	0.06
40	INTERIOR LAMP	141211	0.55
41	E - 17 LAMP HOLDER	141212	0.85
42	LAMP COVER	141213	0.45
43	LAMP HOLDER CASE	141214	0.73
44	SWITCH	JS606 - 02	0.70
45	SCREW	GB845 - 85	

overload - B101.2B-2
Relay - B101.2B-1