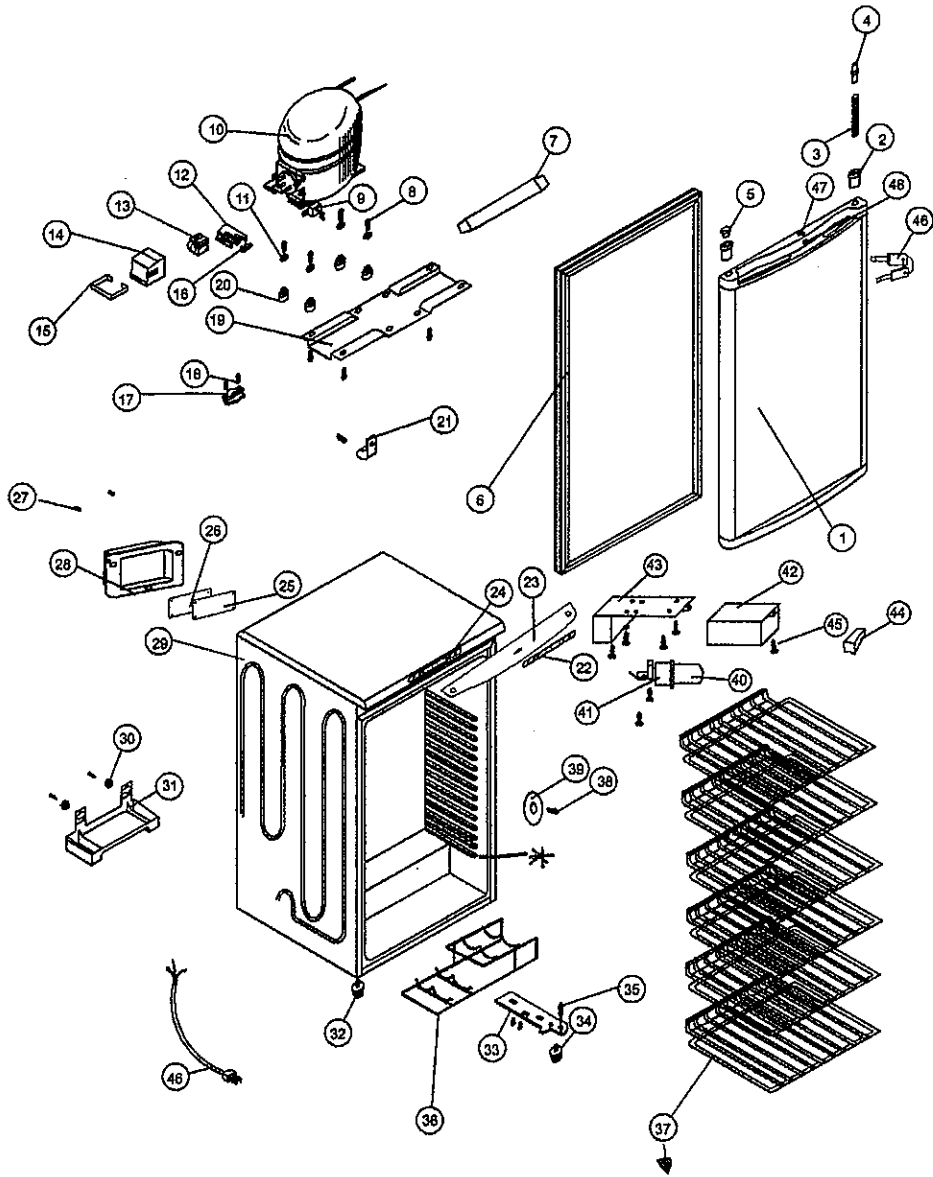


WC412D PARTS BREAKDOWN



SC110/H0010-00A3 (Large) Shelf

*SC110/H0013-00A3 (small) Shelf

P2

WC412D PARTS BREKDOWN

ITEM#	DESCRIPTION	PARTS NO	PRICE(USD)
1	Grass door	A0199	
*2	Adjustable casement		
3	Spring	J0042	
4	Door upper axis	J0067	
5	Axis cover	F00712/2	
6	Door gasket	G0042/2	
7	Dryer	D0037	
8	Compressor bolt		
9	Earth plate		
10	Compressor	B0012	
11	Compressor bolt washer		
12	Cord clamp A		
13	PTC relay		
14	Protector relay		
15	Relay cover retainer		
16	Cord clamp B		
17	Power supply wire upper clamp	F0144	
18	Power supply wire lower clamp	F01411	
19	Compressor base	C0161/0	
20	Rubber grommet		
21	Dryer clamp		
22	Readout sticker	H0034	
23	Reenforce panel	F01416	
24	Showout panel	E00716	
25	Electric insulation board	E00726	
26	Control board	E0141	
27	Screw		
28	Control board box	C0244/11	
29	Cabinet		
30	Base foot		
31	Power supply cord	J0081/2	
32	Foot		
33	Door lower hinge	A01217	
34	Adjustable door	J0082/2	
35	Door lower axis		
36	Rod bar	L0122S	
37	Shelf	L0126,L0127, L01210	
38	Screw		
39	Sensor cover	E00310	
40	Bulb	E0121	
41	Bulb holder	F0151/2	
42	Bulb cover	F0046	
43	Bulb holder case	C01419	
44	ON/OFF lamp switch	E0051/2	
45	Screw		
46	Key	J00528	0
47	Lock pin	J00525	0
48	lock	J00529	1...

55555

SC110/H0010-00A3
Large shelf

SC110/H0013-00A3
Small shelf