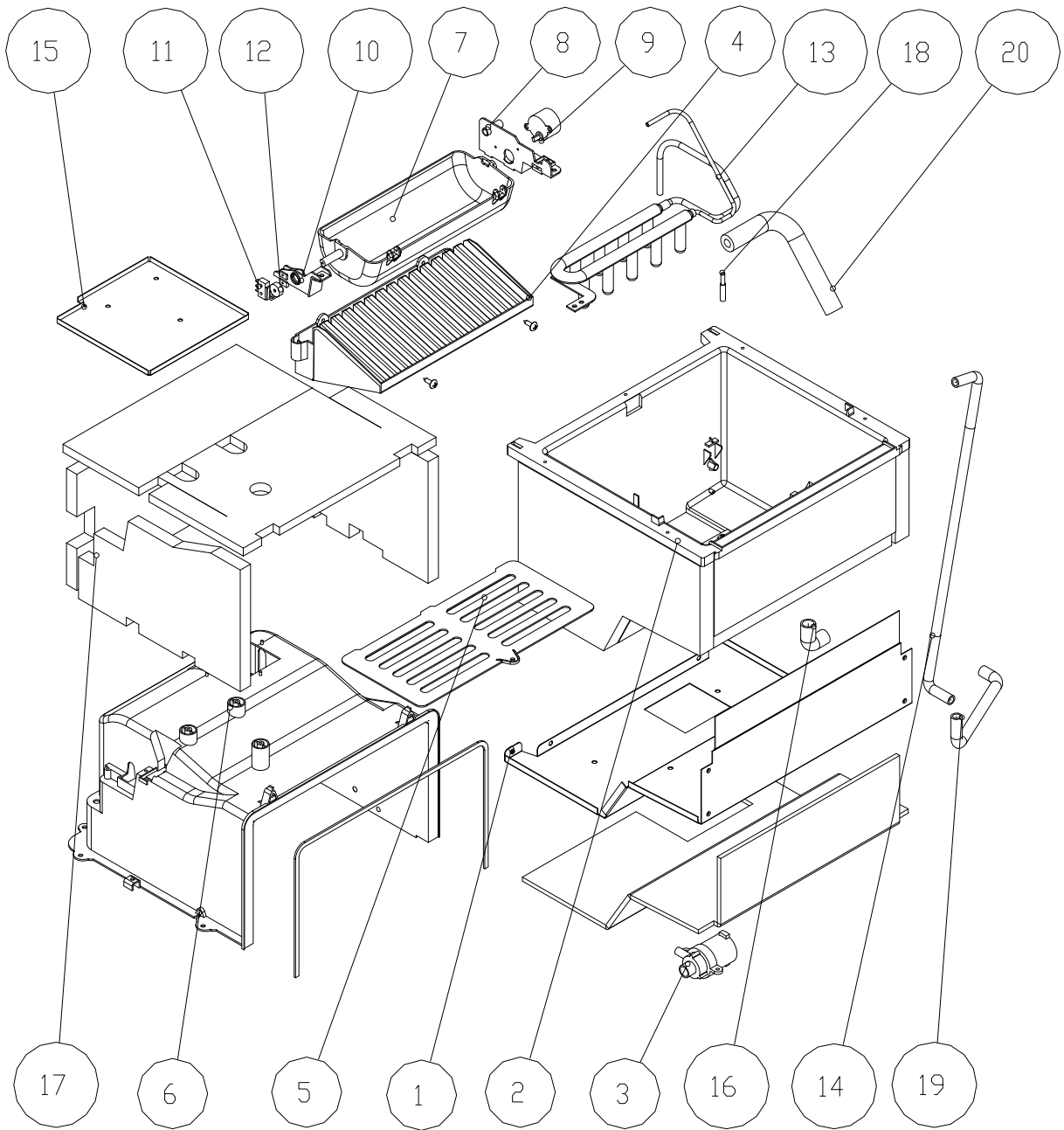
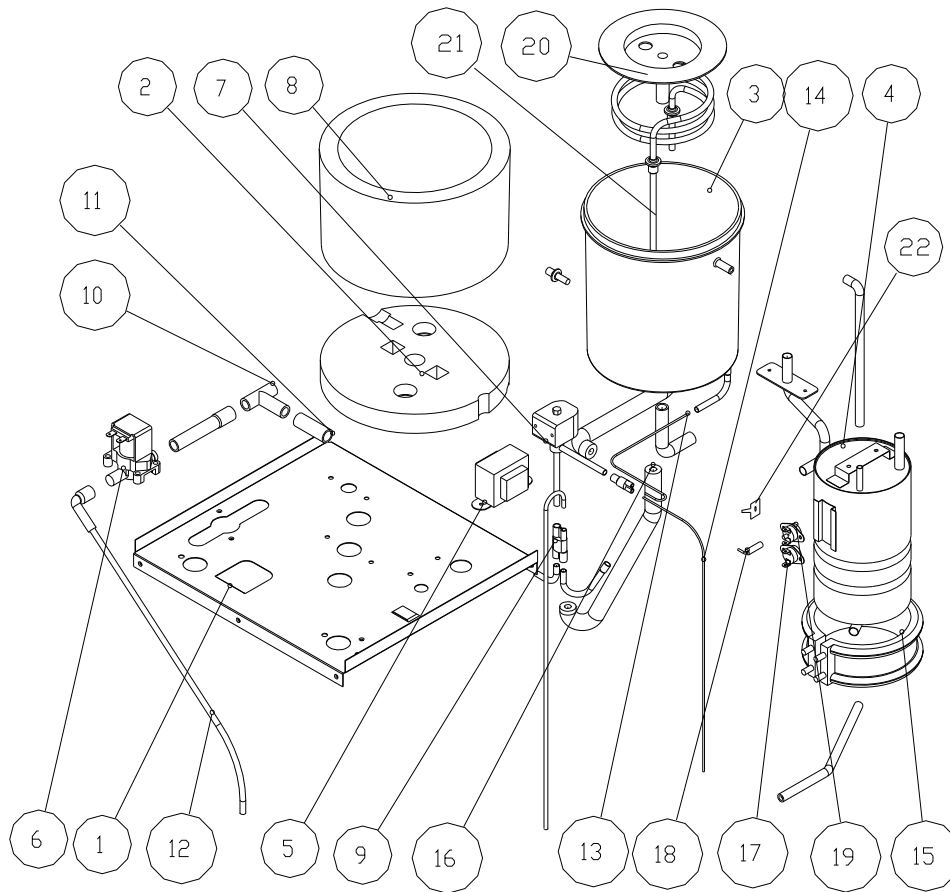


Parts of Ice-making-Internal chamber assembly (No.5 parts in the explosion drawing of the whole unit)



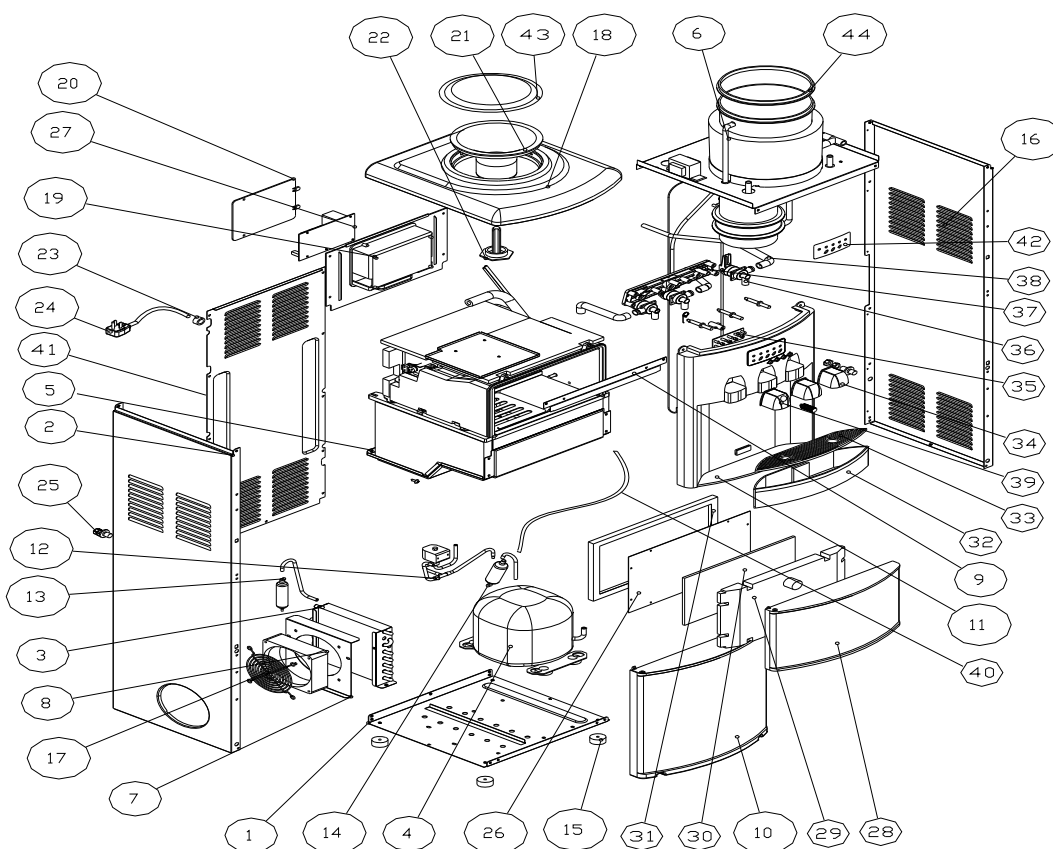
No.	Parts Name	Total
1	Low enclosure of the low liner	1
2	Low liner	1
3	DC water pump	1
4	Ice and water separator	1
5	Ice storing plate	1
6	Up liner	1
7	Ice-making box	1
8	Right blocking part for up liner	1
9	Step motor	1
10	Left blocking part for lower liner	1
11	Micro switch	1
12	Cam	1
13	Ice-making evaporator	1
14	2 Water pipe	1
15	Protecting plate for the ice-making chamber	1
16	Water inlet pipe of the pump	1
17	Insulation sponge assembly	1
18	Sensor	1
19	Silicone pipe assembly	1
20	Insulation pipe	1

Parts of water dispenser-Cold and hot water tank assembly (No.6 parts in the explosion drawing of the whole unit)



No.	Parts Name	Total
1	Up board	1
2	Bottom insulation foam for cold water tank	1
3	Plastic cold water tank	1
4	Hot water tank	1
5	Transformer	1
6	Water inlet valve	1
7	Ice-making valve	1
8	Side insulation foam for cold water tank	1
9	Copper pipe assembly	1
10	Water three-way connector	1
11	Silicone pipe assembly	1
12	2 Water pipe	1
13	Capillary for cold water cooling system	1
14	Capillary for ice-making cooling system	1
15	Heating element	1
16	Sponge	1
17	Thermostat, automatic	1
18	Water temperature sensor	2
19	Thermostat, hand-reset	1
20	Water separator in cold tank	1
21	Cold water evaporator	
22	Fixing piece for sensor	1

Explosion view drawing of the whole unit



No.	Parts name	Total
1	Bottom base	1
2	Left side board	1
3	Condenser	1
4	Compressor	1
5	Ice-making chamber	1
6	Up board assembly	1
7	Fan motor support	1
8	Fan motor of condenser	1
9	Middle connecting plate	1
10	Front lower panel	1
11	Front panel	1
12	Ice harvest valve	1
13	Refrigerator Drier filter	1
14	Accumulator	1
15	Rubber feet	4
16	Right side plate	1
17	Air outlet grill	1
18	Top cover	1
19	Back panel	1
20	Electrical parts cover	1
21	Smart device	1
22	Smart core	1
23	Power cord strain relief	1
24	Power cord	1
25	Water draining assembly	2
26	Door linear	1
27	PCB Main control PCB	1
28	Front middle panel	1
29	Insulation foam of the door	1
30	Insulation sponge of the door	1
31	Door sealing gasket	1
32	Water dripping box	1
33	Cover of the water dripping box	1
34	Push button of the cold & room temperature water faucet	2

35	PCB Displaying & operation PCB	1
36	Water faucet	3
37	Push button support	1
38	Silicone pipe of the front panel	1
39	Push button of the hot water faucet	1
40	Internal Wiring	1
41	Lower back plate	1
42	Operation panel sticker	1
43	Dustproof cover of the unit	1
44	Sealing circle of the smart device	1